



**QUARRA STONE COMPANY, LLC.**

333 ATLAS AVE.  
MADISON, WI 53714  
(608) 246-8803 (608) 246-8894 FAX

THIS SHOP DRAWING REPRESENTS OUR INTERPRETATION OF THE ARCHITECTURAL PLANS AND CONTRACT REQUIREMENTS OF THE QUARRA STONE COMPANY FOR THIS PROJECT.

BEFORE THE MANUFACTURE OF ANY MATERIAL FOR THIS JOB, ALL DIMENSIONS, METHOD OF CONSTRUCTION AND EXISTING CONDITIONS MUST BE CHECKED AND APPROVED OR CORRECTED BY THE CUSTOMER.

NO MATERIAL WILL BE SCHEDULED FOR FABRICATION UNTIL QUARRA STONE HAS BEEN NOTIFIED IN WRITING BY THE CUSTOMER THAT THE SHOP DRAWINGS HAVE BEEN APPROVED FOR FABRICATION APPROVAL. DELAYS WILL BESET IN FABRICATION AND DELIVERY DELAYS.

ANY MATERIAL FABRICATED IN ACCORDANCE WITH APPROVED SHOP DRAWINGS THAT DOES NOT FIT JOB CONDITIONS WILL BE REMADE AND SHIPPED TO THE SITE AT THE CUSTOMER'S EXPENSE, AND ONLY AFTER ACCEPTANCE OF A WRITTEN CHANGE ORDER COVERING THE ADDITIONAL EXPENSES.

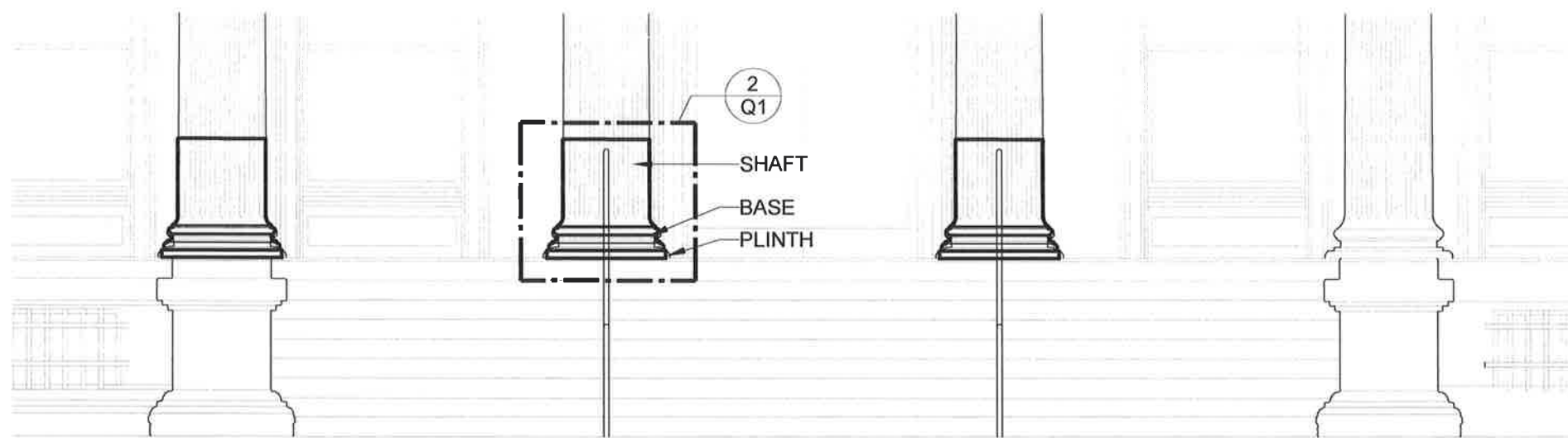
QUARRA STONE ASSUMES NO RESPONSIBILITY FOR THE CUTTING OF MATERIAL TO ACCORDANCE OTHER TRADES AND WILL NOT BE RESPONSIBLE FOR ANY ENGINEERING OR WORK SHOWN ON THESE DRAWINGS.

ANCHORING DETAILS ARE TO BE CONSIDERED AS PROPOSED ONLY. SUBJECT TO INDEPENDENT ENGINEERING REVIEW. TAKING INTO ACCOUNT ALL ASPECTS OF THE MATERIAL, INSTALLATION AND SHOPPING. IF NECESSARY, SUCH INDEPENDENT ENGINEERING WILL NOT BE THE RESPONSIBILITY OF QUARRA STONE, UNLESS EXPRESSLY QUALIFIED.

|          |              |
|----------|--------------|
| DATE     |              |
| 11/13/17 | FOR APPROVAL |

|                |                           |
|----------------|---------------------------|
| JOB NAME:      | WI CONSERVATORY OF MUSIC  |
| LOCATION:      | MILWAUKEE, WISCONSIN      |
| ARCHITECT:     | UIHLEIN WILSON ARCHITECTS |
| DRAWING TITLE: | ELEVATION, DETAILS        |

|                              |          |
|------------------------------|----------|
| JOB NO:                      | 5104     |
| DRAWN BY:                    | TR       |
| CHECKED BY:                  |          |
| SCALE:                       | VARIES   |
| DATE:                        | 11/11/17 |
| SHOP DRAWING DRAWING NUMBER: | Q1       |

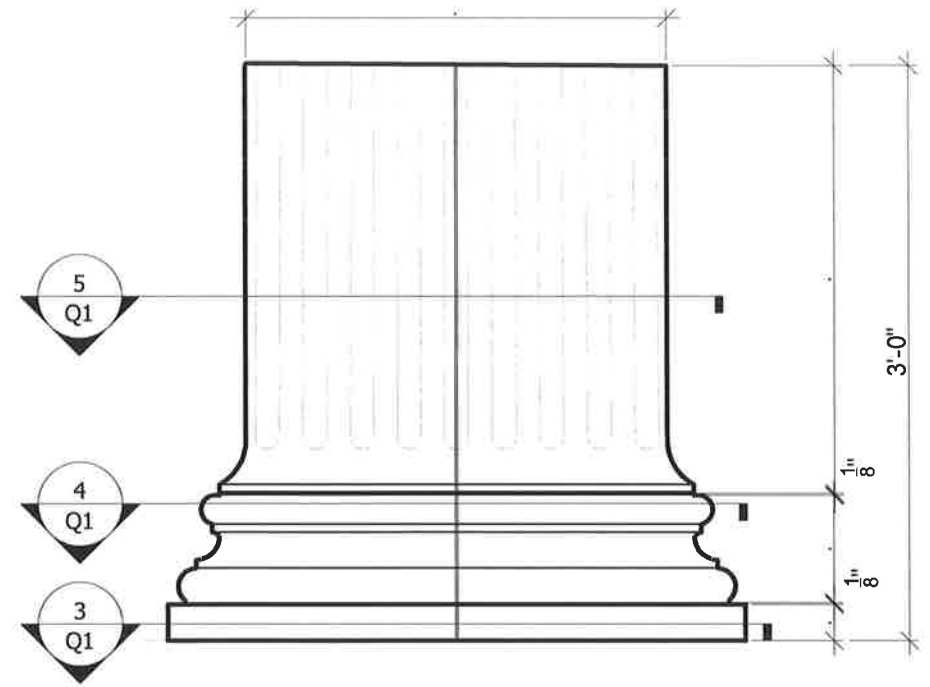


**1 PORTICO @ WEST ELEVATION**  
REF: A-2.03 SCALE: 1/4"=1'-0"

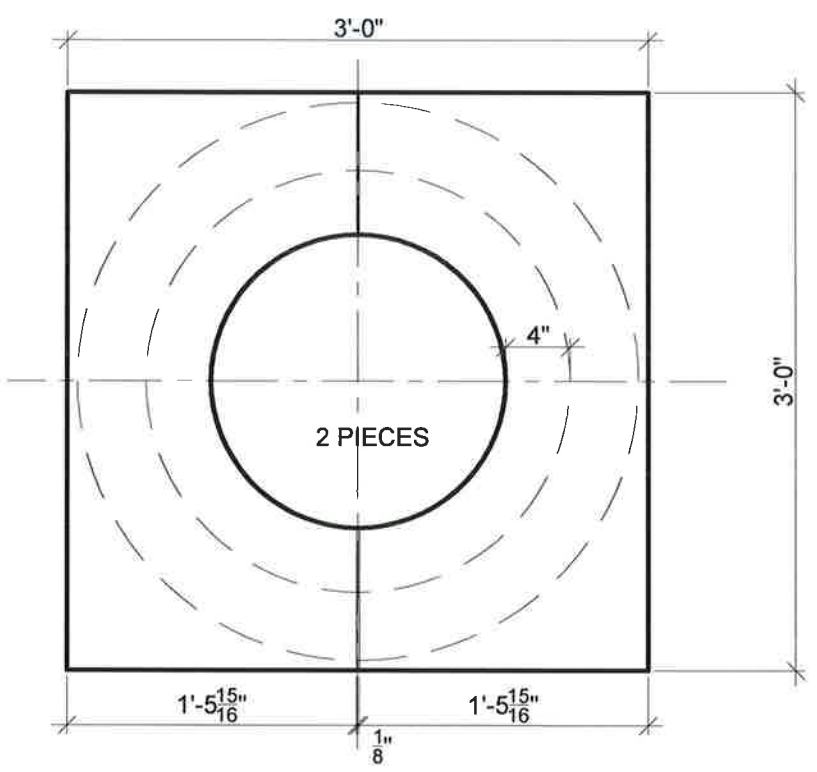
ALL DIMENSIONS AND PROFILES TO BE VERIFIED IN FIELD FOR EACH COLUMN BY QUARRA AFTER DEMOLITION IN ORDER TO CONFIRM FLUTED, CURVED SHAFT PROFILE.

**GENERAL NOTES**

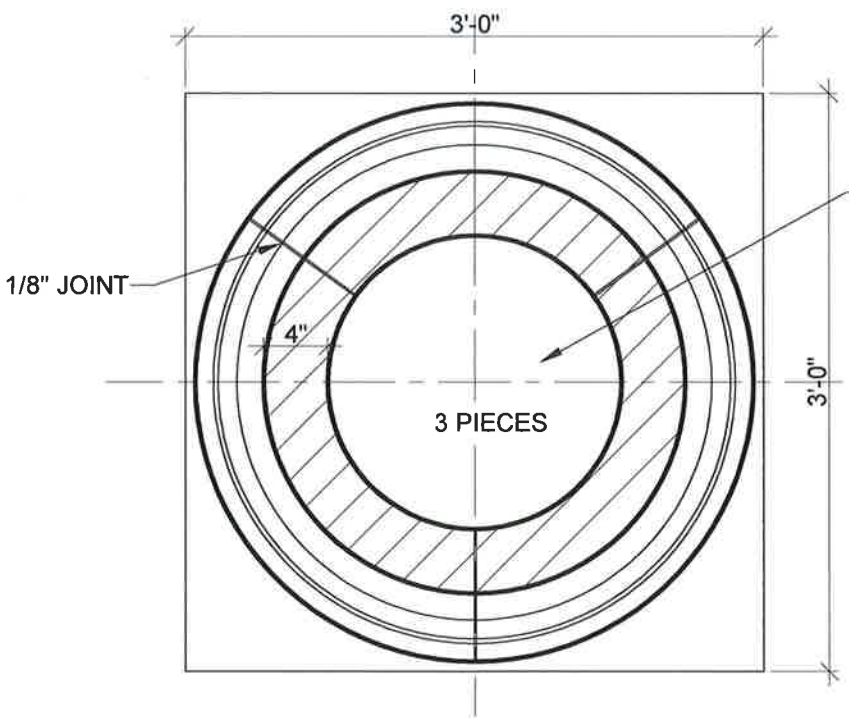
**MATERIAL:** NEW BUNDT RED SANDSTONE PER APPROVED SAMPLE  
**FINISH:** AGED TO MATCH EXISTING PER APPROVED SAMPLE  
**JOINT SIZE:** 1/8"  
**BY OTHERS:** ANCHORS, ENGINEERING



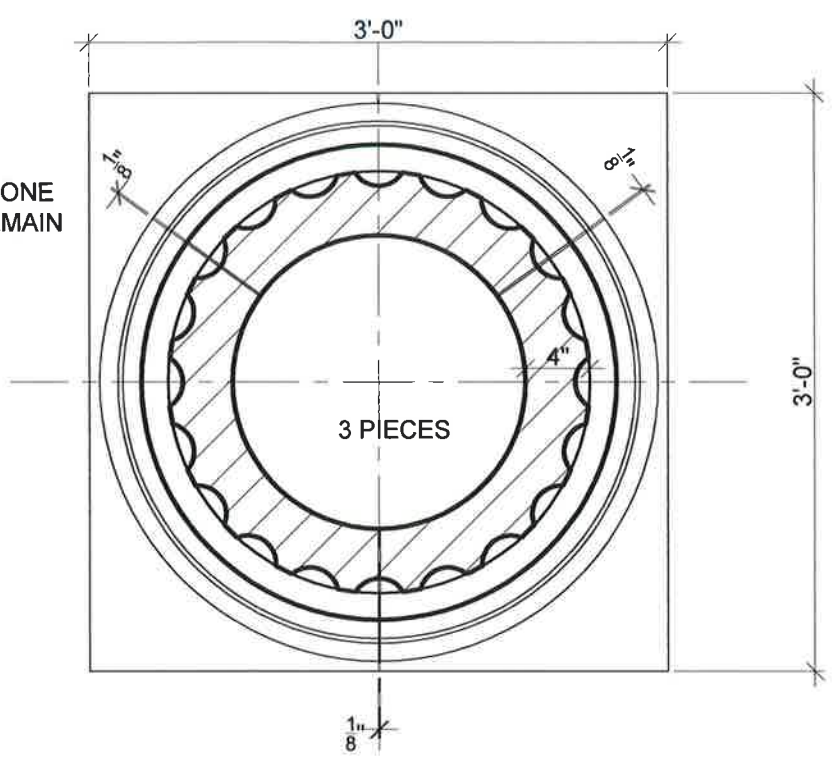
**2 SECTION DETAIL**  
REF: A-2.03 SCALE: 1"=1'-0"



**3 PLINTH- PLAN DETAIL**  
REF: A-2.03 SCALE: 1"=1'-0"



**4 BASE - PLAN DETAIL**  
REF: A-2.03 SCALE: 1"=1'-0"



**5 SHAFT- PLAN DETAIL**  
REF: A-2.03 SCALE: 1"=1'-0"