

Face-Lit Channel Letters, Face-Lit Channel Border and FCO Alum Tagline - (19 Sq Ft)

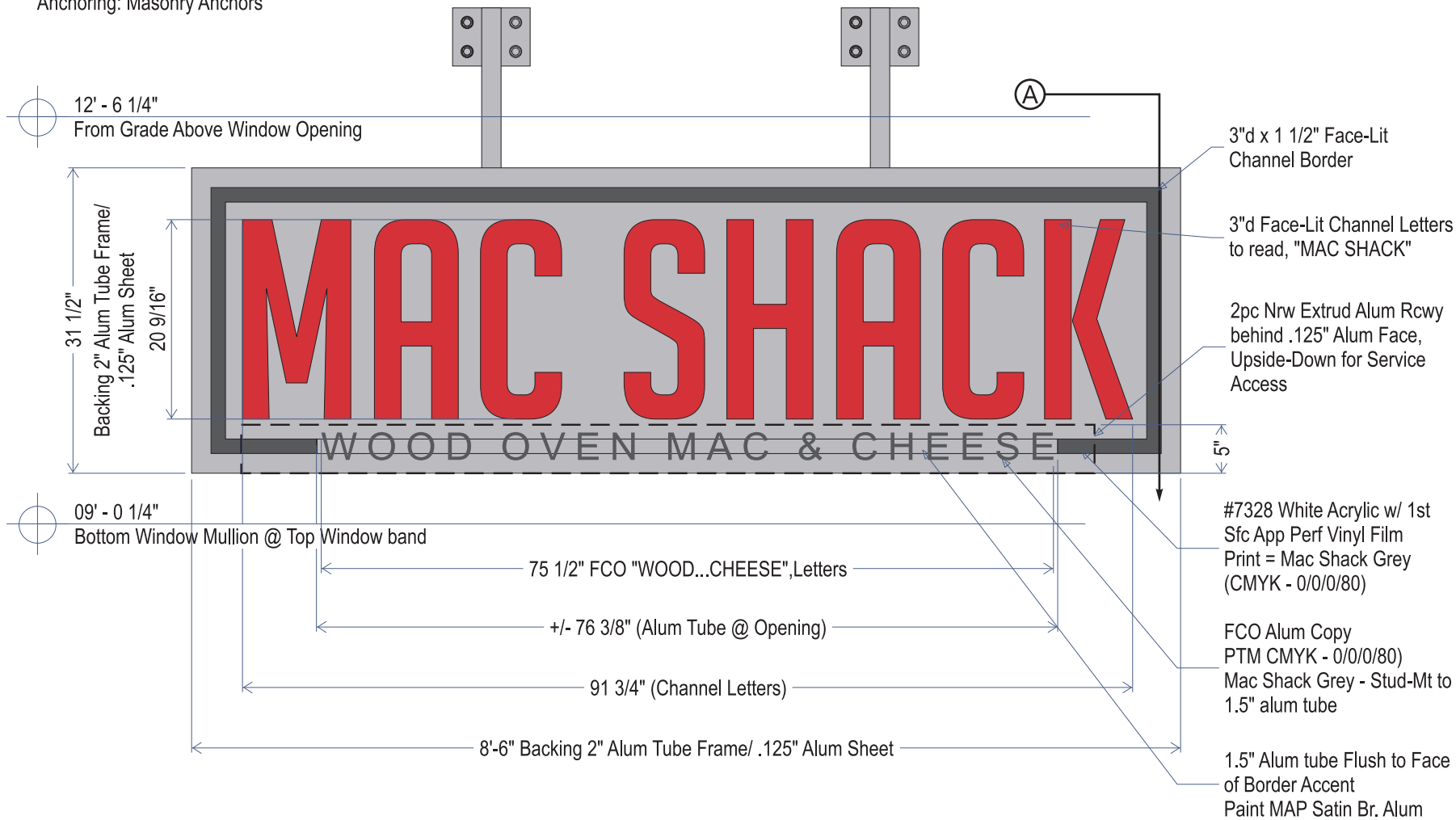
(1) Req'd

3/4" = 1' - 0" Scale

Channel Letters: Fabricate and Install (1) Set of 3"d Face-Lit Channel Letters to read "MAC SHACK" to Extruded Alum Raceway painted to match MAP Satin Br. Alum, (1) Set of 3"d Channel Border w/ Alum tube fastened to returns at opening for mounting FCO Letters. Sign to be placed centered to window opening on West Elevation/ Humbolt. 120V Primary Electrical Connection to Existing Power and Hook-up by Locally Licensed Electrician.

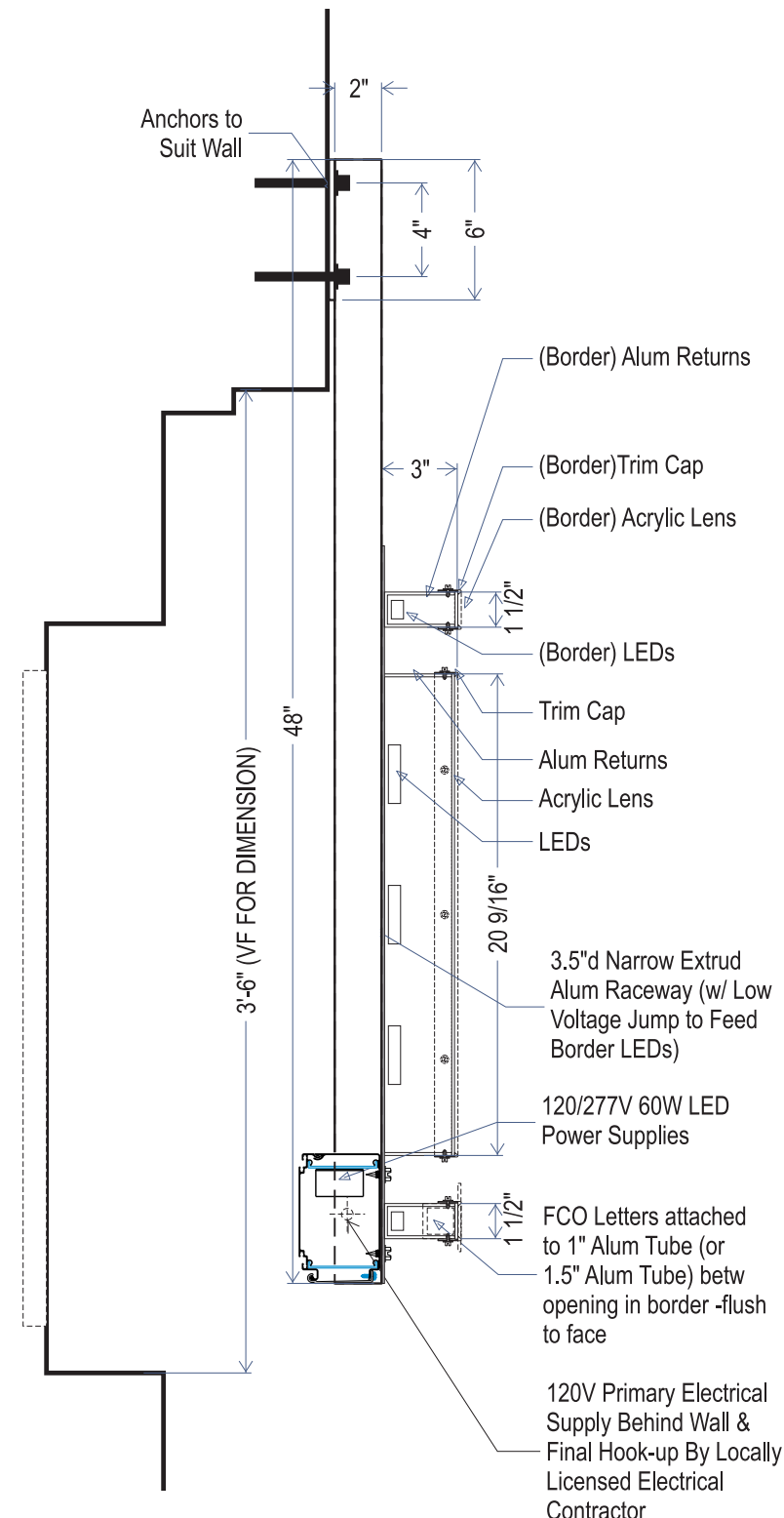
- Letters: 3"d Prefin Black Alum Returns
- Border: 3"d Prefin Black Alum Returns
- Backer: Prefin White Alum
- Faces: .118" #7328 White Acrylic
- Vinyl: 1st Surface Translucent Vinyl (See Color Schedule)
- Trim Cap: 1" Black Jewelite
- FCO: .125" thk Routed Alum
- LEDs: White Qwik Mod 2 7100K
- Power Supplies: (2) 120/277V 60W BE Brite
- FCOs: 1/8" Routed Alum (mounted to 1.5" tube betw border opening)
- Support: 2" Alum Tube Frame w/ .125" Alum on Face to Mount Channel Letters/ Border
- Anchoring: Masonry Anchors

APPROVED
By Tim Askin - Milwaukee HPC at 8:51 am, Mar 26, 2019



Color Schedule:

- 3M 3630-33 'Red' Translucent Vinyl Film
- Perforated Opaque Vinyl Film Printed to Match CMYK 0/0/0/80, 'Mac Shack Grey'
- Prefinished Black Alum Returns/ Jewelite Trim Cap
- MAP Satin Brushed Alum Painted Finish
- Paint Match CMYK 0/0/0/80, 'Mac Shack Grey'
- MAP Satin White Painted Finish



A) Face-Lit Channel Border - Side Detail
1 1/2" = 1' - 0" Scale

1827 W. GLENDALE AVE. MILWAUKEE, WI 53209
PH: 414.264.5504 FX: 414.264.5564



Project:
Mac Shack/
Brady St. Milwaukee

Description:
(1) Set 3"d Face-Lit Channel Letters
(1) 3" Face-Lit Channel Border
(1) Set of FCO Letters w/ Mounting Tube

Project Location:
1701 N Humboldt Ave,
Milwaukee, WI 53202, USA

Billing Location:
1701 N Humboldt Ave
Milwaukee, WI 53202, USA

PRODUCTION RELEASE

Sales Rep: JCB **Date:** 10/23/18
Design: AAE

Disclaimer:
THIS IS AN ORIGINAL DESIGN CREATED BY SIGN EFFECTZ. THE SUBMITTED DESIGN PROTECTED UNDER COPYRIGHT LAWS OF THE UNITED STATES CODE YOU AGREE NOT TO COPY PHOTOGRAPH MODIFY OR SHARE DIRECTLY OR INDIRECTLY ANY OF THE FOREGOING HELD BY YOU WITH ANY OTHER PARTY, NOR WILL YOU PERMIT ANY TIRDS PARTY TO DO ANY OF THE FOREGOING WITHOUT THE WRITTEN CONSENT OF SIGN EFFECTZ.

THIS SIGN IS INTENDED TO BE INSTALLED IN ACCORDANCE WITH THE REQUIREMENTS OF ARTICLE 600 OF THE NEC AND/OR OTHER APPLICABLE LOCAL CODES. THIS INCLUDES PROPER GROUNDING AND BONDING OF THE SIGN.

Notes
Re-designed to Follow Local Ordinance & Requirements

REVISIONS:

Rev A redesigned all to fit local code/ requirements	By AE	Date 01/16/19
Rev B "OVEN FRIED," To, "WOOD OVEN,"	By AE	Date 01/29/19
Rev C "MAC SHACK" to Translucent Red Vinyl - ALL	By AE	Date 03/13/19
Rev D	By	Date
Rev E	By	Date
Rev F	By	Date

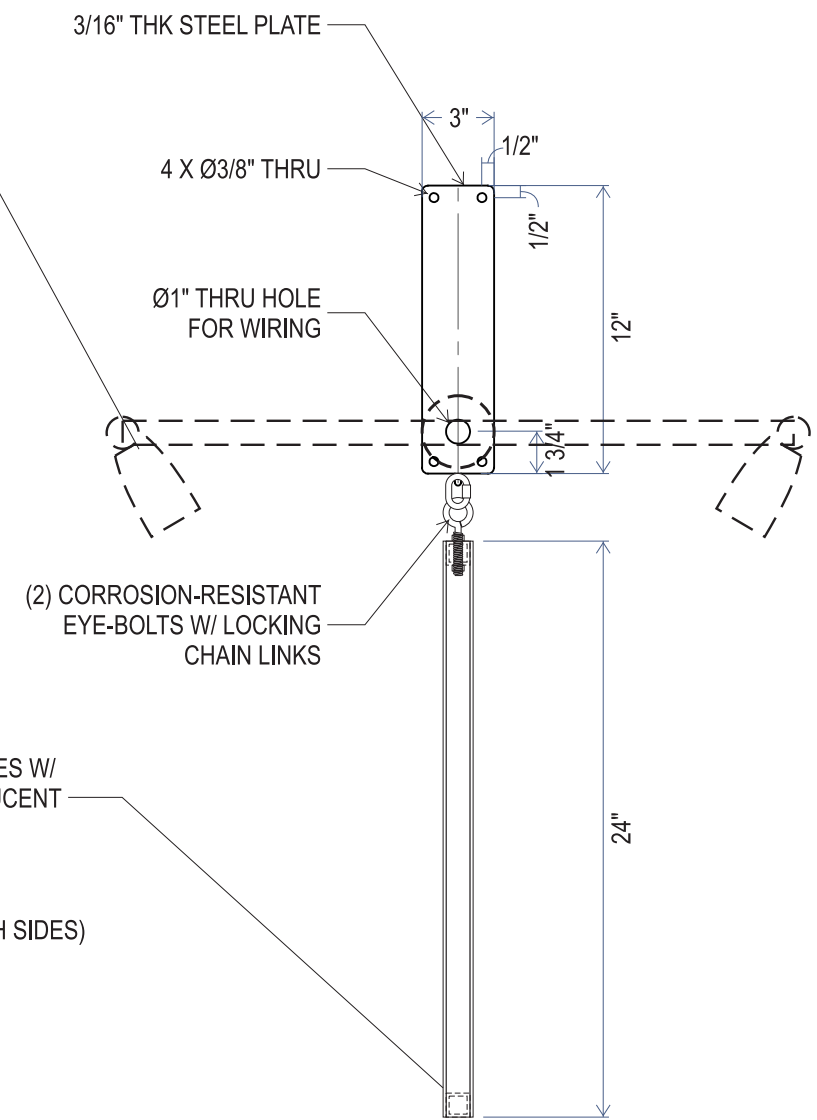
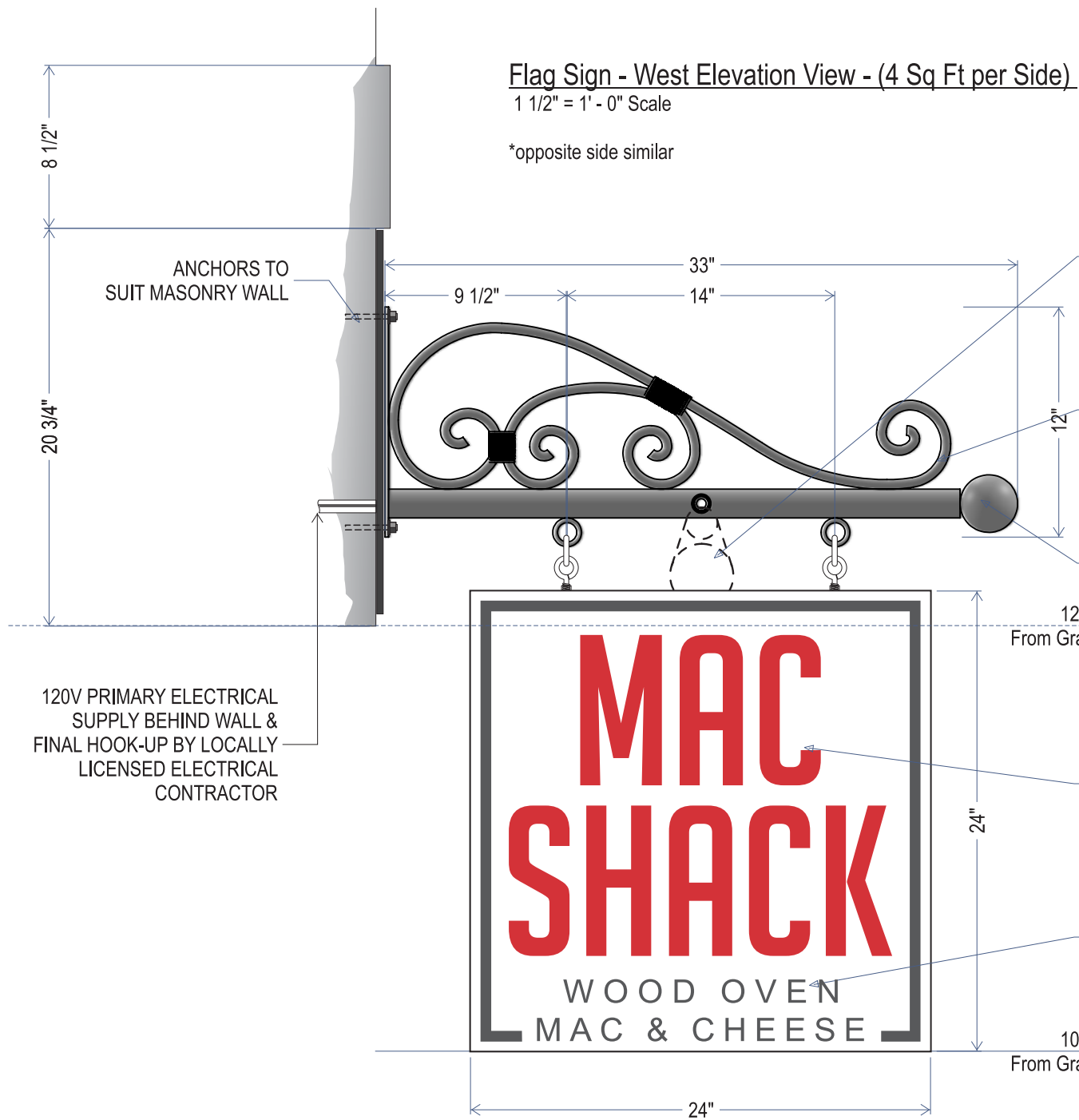
Scale: As Noted
Original Page Size: 11" x 17"

21208927 P_01 R3
INS - PROJ NO. DESIGN PG REV NO.

4
PRODUCTION PKG NO.

11143
ESTIMATE NO.

Work Order #: 11400



Flag Sign - Front View - (4 Sq Ft per Side)
 1 1/2" = 1' - 0" Scale



Project:
 Mac Shack/
 Brady St. Milwaukee

Description:
 (1) Set 3"d Face-Lit Channel Letters
 (1) 3" Face-Lit Channel Border
 (1) Set of FCO Letters w/ Mounting Tube

Project Location:
 1701 N Humboldt Ave,
 Milwaukee, WI 53202, USA

Billing Location:
 1701 N Humboldt Ave
 Milwaukee, WI 53202, USA

PRODUCTION RELEASE

Sales Rep: JCB **Date:** 10/23/18
Design: AAE

Disclaimer:
 THIS IS AN ORIGINAL DESIGN CREATED BY SIGN EFFECTZ. THE SUBMITTED DESIGN PROTECTED UNDER COPYRIGHT LAWS OF THE UNITED STATES CODE YOU AGREE NOT TO COPY PHOTOGRAPH MODIFY OR SHARE DIRECTLY OR INDIRECTLY ANY OF THE FOREGOING HELD BY YOU WITH ANY OTHER PARTY, NOR WILL YOU PERMIT ANY THIRDS PARTY TO DO ANY OF THE FOREGOING WITHOUT THE WRITTEN CONSENT OF SIGN EFFECTZ.

THIS SIGN IS INTENDED TO BE INSTALLED IN ACCORDANCE WITH THE REQUIREMENTS OF ARTICLE 600 OF THE NEC AND/OR OTHER APPLICABLE LOCAL CODES. THIS INCLUDES PROPER GROUNDING AND BONDING OF THE SIGN.

Notes
 Re-designed to Follow Local Ordinance & Requirements

REVISIONS:

Rev A redesigned all to fit local code/ requirements	By AE	Date 01/16/19
Rev B "OVEN FRIED," To, "WOOD OVEN,"	By AE	Date 01/29/19
Rev C "MAC SHACK" to Translucent Red Vinyl - ALL	By AE	Date 03/13/19
Rev D -	By -	Date
Rev E	By	Date
Rev F	By	Date

Scale: 1 1/2" = 1' - 0"
Original Page Size: 11" x 17"

21208927 P_02 R3
 INS - PROJ NO. DESIGN PG REV NO.

4
 PRODUCTION PKG NO.

11143
 ESTIMATE NO.

Work Order #: 11400

WEST ELEVATION WALL - HUMBOLT AV. - MAIN ID SIGN

* CENTER SIGN TO TOP WINDOW OPENING

SOUTH ELEVATION WALL - FLAG SIGN

BRADY ST.

20 3/4"



SignEffectz, Inc™

SIGN / LIGHTING

www.signeffectz.com

1827 W. GLENDALE AVE. MILWAUKEE, WI 53209
PH: 414.264.5504 FX: 414.264.5564



Project:
Mac Shack/
Brady St. Milwaukee

Description:
(1) Set 3"d Face-Lit Channel Letters
(1) 3" Face-Lit Channel Border
(1) Set of FCO Letters w/ Mounting Tube

Project Location:
1701 N Humboldt Ave,
Milwaukee, WI 53202, USA

Billing Location:
1701 N Humboldt Ave
Milwaukee, WI 53202, USA

PRODUCTION RELEASE

Sales Rep: JCB **Date:** 10/23/18
Design: AAE

Disclaimer:
THIS IS AN ORIGINAL DESIGN CREATED BY SIGN EFFECTZ. THE SUBMITTED DESIGN PROTECTED UNDER COPYRIGHT LAWS OF THE UNITED STATES CODE YOU AGREE NOT TO COPY PHOTOGRAPH MODIFY OR SHARE DIRECTLY OR INDIRECTLY ANY OF THE FOREGOING HELD BY YOU WITH ANY OTHER PARTY, NOR WILL YOU PERMIT ANY TIRDS PARTY TO DO ANY OF THE FOREGOING WITHOUT THE WRITTEN CONSENT OF SIGN EFFECTZ.

THIS SIGN IS INTENDED TO BE INSTALLED IN ACCORDANCE WITH THE REQUIREMENTS OF ARTICLE 600 OF THE NEC AND/OR OTHER APPLICABLE LOCAL CODES. THIS INCLUDES PROPER GROUNDING AND BONDING OF THE SIGN.

Notes
Re-designed to Follow Local Ordinance & Requirements

REVISIONS:

Rev A redesigned all to fit local code/ requirements	By AE	Date 01/16/19
Rev B "OVEN FRIED," To, "WOOD OVEN,"	By AE	Date 01/29/19
Rev C "MAC SHACK" to Translucent Red Vinyl - ALL	By AE	Date 03/13/19
Rev D -	By -	Date
Rev E	By	Date
Rev F	By	Date

Scale: As Noted
Original Page Size: 11" x 17"

21208927 P_03 R3
INS - PROJ NO. DESIGN PG REV NO.

4
PRODUCTION PKG NO.

11143
ESTIMATE NO.

Work Order #: 11400



SOUTH ELEVATION - HANGING ID SIGN - BRADY ST.

* CENTER BRACKET TO BRICK BAND ABOVE TOP WINDOWS



GOOSENECK SPOT ILLUMINATION

SignEffectz, Inc™

SIGN / LIGHTING

www.signeffectz.com

1827 W. GLENDALE AVE. MILWAUKEE, WI 53209
PH: 414.264.5504 FX: 414.264.5564



Project:
Mac Shack/
Brady St. Milwaukee

Description:
(1) Set 3"d Face-Lit Channel Letters
(1) 3" Face-Lit Channel Border
(1) Set of FCO Letters w/ Mounting Tube

Project Location:
1701 N Humboldt Ave,
Milwaukee, WI 53202, USA

Billing Location:
1701 N Humboldt Ave
Milwaukee, WI 53202, USA

PRODUCTION RELEASE

Sales Rep: JCB **Date:** 10/23/18
Design: AAE

Disclaimer:
THIS IS AN ORIGINAL DESIGN CREATED BY SIGN EFFECTZ. THE SUBMITTED DESIGN PROTECTED UNDER COPYRIGHT LAWS OF THE UNITED STATES CODE YOU AGREE NOT TO COPY PHOTOGRAPH MODIFY OR SHARE DIRECTLY OR INDIRECTLY ANY OF THE FOREGOING HELD BY YOU WITH ANY OTHER PARTY, NOR WILL YOU PERMIT ANY THIRD PARTY TO DO ANY OF THE FOREGOING WITHOUT THE WRITTEN CONSENT OF SIGN EFFECTZ.

THIS SIGN IS INTENDED TO BE INSTALLED IN ACCORDANCE WITH THE REQUIREMENTS OF ARTICLE 600 OF THE NEC AND/OR OTHER APPLICABLE LOCAL CODES. THIS INCLUDES PROPER GROUNDING AND BONDING OF THE SIGN.

Notes
Re-designed to Follow Local Ordinance & Requirements

REVISIONS:

Rev A redesigned all to fit local code/ requirements	By AE	Date 01/16/19
Rev B "OVEN FRIED," To, "WOOD OVEN,"	By AE	Date 01/29/19
Rev C "MAC SHACK" to Translucent Red Vinyl - ALL	By AE	Date 03/13/19
Rev D -	By -	Date
Rev E	By	Date
Rev F	By	Date

Scale: As Noted
Original Page Size: 11" x 17"

21208927 P_04 R3
INS - PROJ NO. DESIGN PG REV NO.

4
PRODUCTION PKG NO.

11143
ESTIMATE NO.

Work Order #: 11400