



Roof Plan

Certificate of Appropriateness Application

2007 East Windsor Place

Milwaukee, WI 53202

Date:5/3/2019



Vent 'A' as seen on the roof plan.
See page (5) for the specifications.



Vent 'B' as seen on the roof plan.
See page (6) for the specification.
Vent to be painted with 'Rust-Oleum' roof accessory spray paint in 'Carbon Black'.

Certificate of Appropriateness Application

2007 East Windsor Place

Milwaukee, WI 53202

Date:5/3/2019



South Elevation



Southeast Perspective

Certificate of Appropriateness Application

2007 East Windsor Place

Milwaukee, WI 53202

Date:5/3/2019

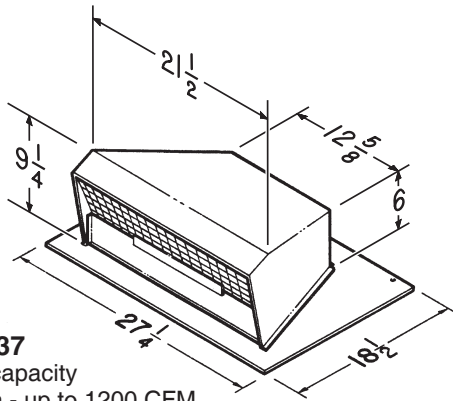
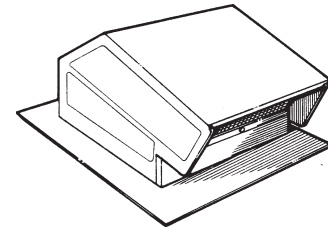


East Elevation



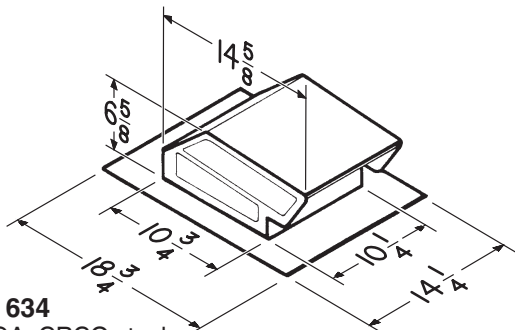
Northeast Perspective

ROOF CAPS



Model 437

- High-capacity design - up to 1200 CFM
- 24 GA. CRCQ steel, black electrically-bonded epoxy finish
- Built-in spring-loaded backdraft damper and bird screen
- For use with High Performance blower system



Model 634

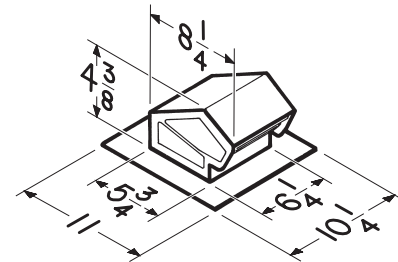
- 24 GA. CRCQ steel, black electrically-bonded epoxy finish
- Built-in backdraft damper and bird screen
- For 3 1/4" x 10" or up to 8" round duct

Model 634M

- Same as Model 634 except with 6" round duct collar

Model 644

- Same as Model 634 except .025 aluminum
- Natural finish



Model 636

- 24 GA. CRCQ steel, black electrically-bonded epoxy finish
- Built-in backdraft damper and bird screen
- For 3" or 4" round duct

Model 636AL

- Same as Model 636 .025 - in Aluminum
- Natural finish

Model 443 Flexible Roof Ducting Kit

- Includes 8 ft. of 4", flexible, vinyl ducting, 4" diameter metal duct connector, 2 duct clamps, 4" to 3" reducer and Model 636 Roof Cap

Model RVK1A Flexible Roof Ducting Kit

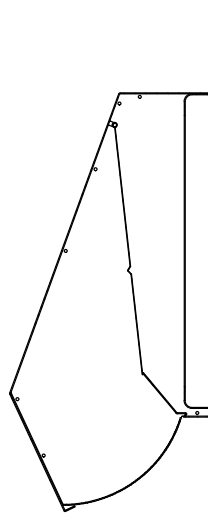
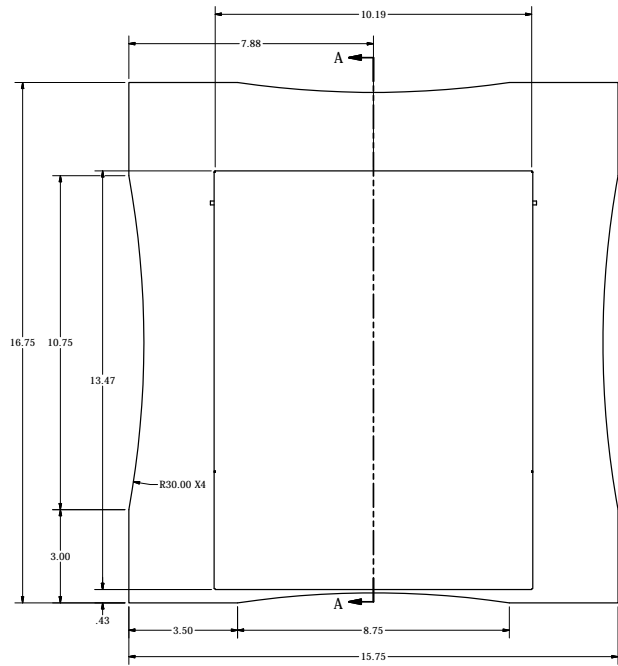
- Includes 8 ft. of 4", flexible, 2-ply metallic laminate ducting, 4" diameter metal duct connector, 2 duct clamps, 4" to 3" reducer and Model 636 Roof Cap
- Duct conforms to UL181 Class 1 air connector requirements
- Not recommended for dryer venting

Broan-NuTone LLC, 926 West State Street, Hartford, WI 53027 (1-800-637-1453)

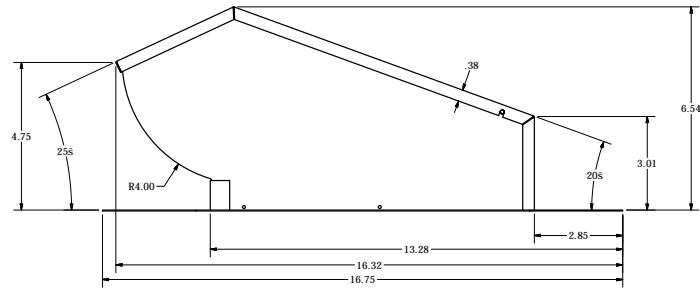
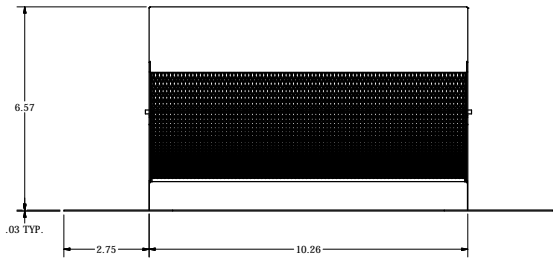
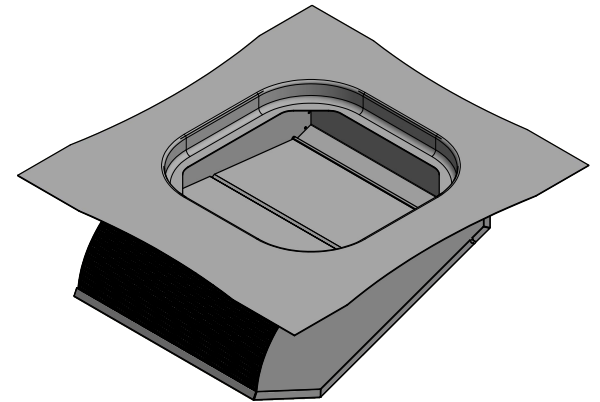
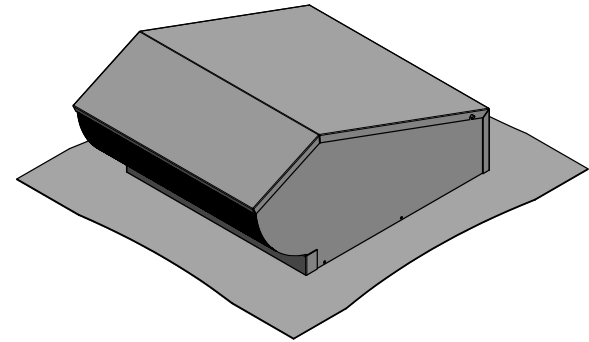
NuTone, Inc., 4820 Red Bank Road, Cincinnati, OH 45227 (1-800-543-8687)

Broan-NuTone Canada, Inc., 1140 Tristar Drive, Mississauga, Ontario, L5T 1H9 (1-888-882-7626)

REFERENCE	QTY.	REMARKS	Project
			Location
			Architect
			Engineer
			Contractor
			Submitted by Date



SECTION A-A



DRAWN	JOSEPH VALENTI	8/17/2014	LAMBRO INDUSTRIES, INC.		
CHECKED			TITLE		
QA			LARGE VENT ASSEMBLY		
MFG			SIZE	DWG NO	REV
APPROVED			D	LARGE VENT ASSEMBLY	
			SCALE	SHEET 1 OF 1	