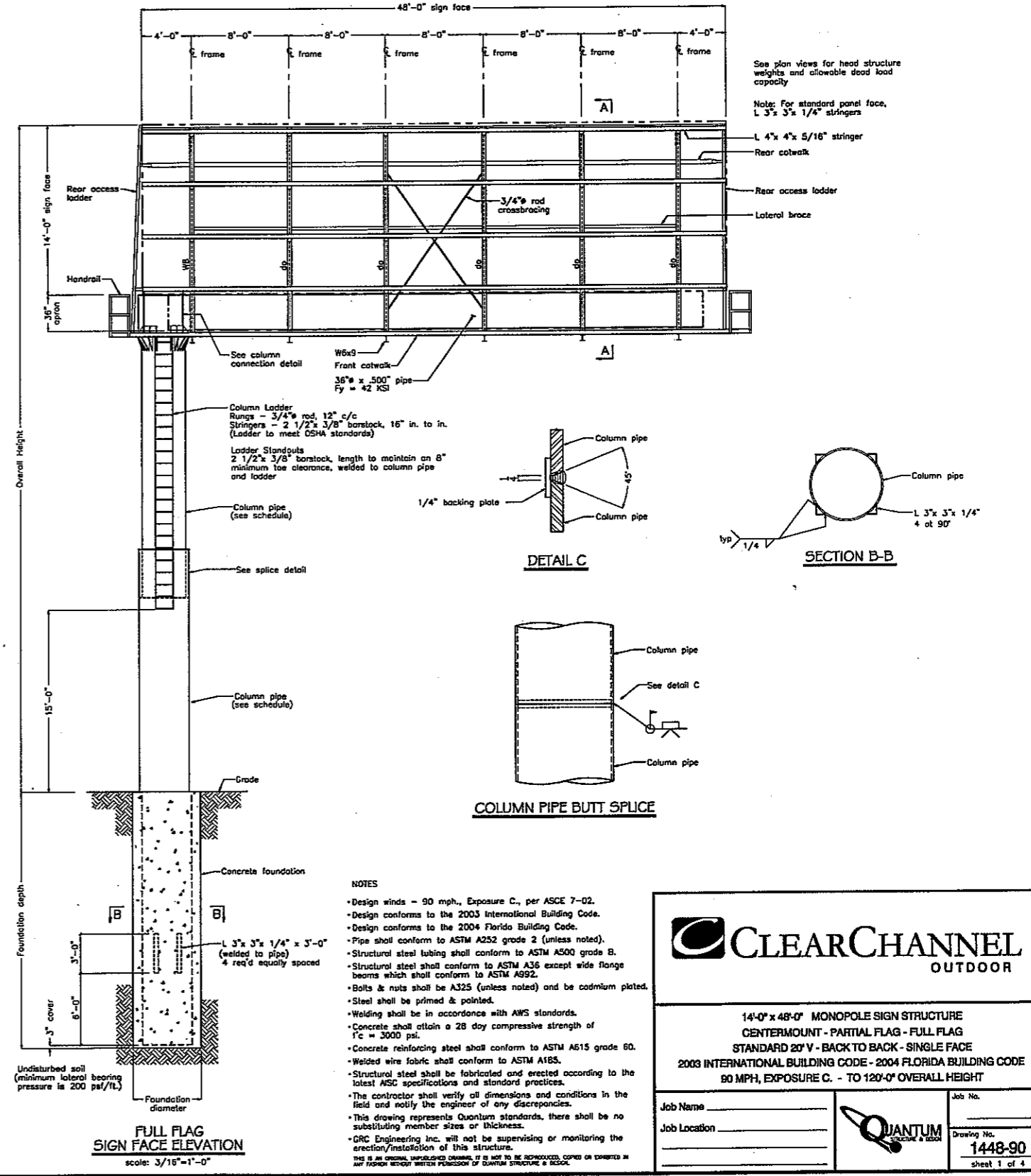
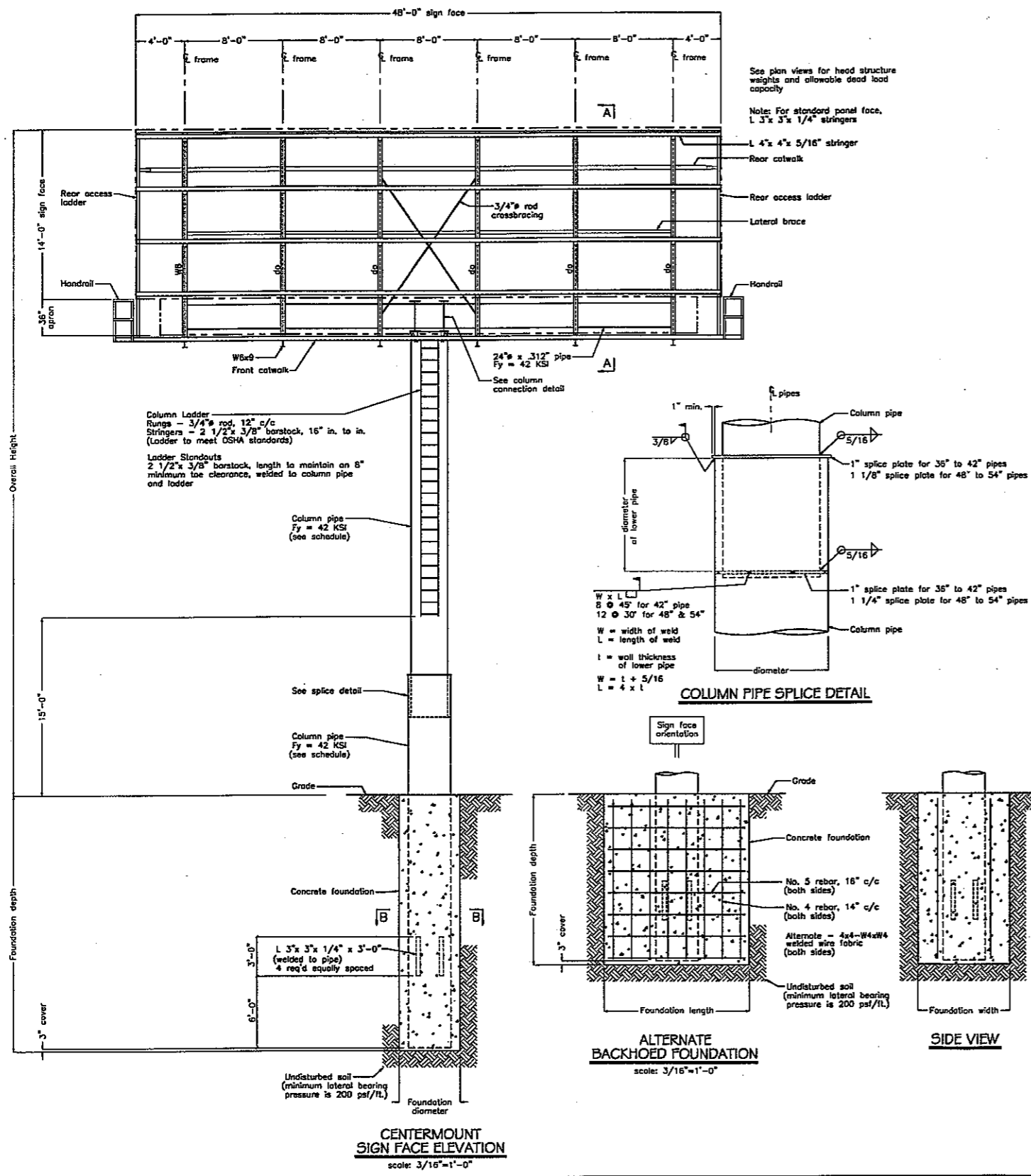


CENTERMOUNT COLUMN & FOUNDATION SCHEDULE						
Overall Height	Column Pipe Fy = 42 KSI	Drilled Foundation		Backhoed Foundation		
		Depth	Diameter	Depth	Length	Width
0'-0" to 38'-0"	36" x .375"	17'-6"	4'-0"	12'-6"	9'-6"	5'-6"
38'-1" to 55'-0"	36" x .500"	19'-6"	4'-0"	13'-0"	12'-0"	7'-0"
55'-1" to 64'-0"	42" x .500"	20'-0"	4'-6"	14'-0"	12'-9"	7'-6"
64'-1" to 77'-0"	48" x .500"	20'-6"	5'-0"	14'-6"	12'-9"	8'-0"
77'-1" to 96'-0"	48" x .625"	22'-6"	5'-0"	15'-0"	15'-0"	8'-3"
96'-1" to 110'-0"	54" x .625"	23'-0"	5'-6"	15'-6"	15'-6"	8'-6"
110'-1" to 120'-0"	54" x .688"	24'-6"	5'-6"			

FULL FLAG COLUMN & FOUNDATION SCHEDULE						
Overall Height	Column Pipe Fy = 42 KSI	Drilled Foundation		Backhoed Foundation		
		Depth	Diameter	Depth	Length	Width
0'-0" to 40'-0"	42" x .500"	19'-0"	4'-6"	14'-0"	10'-6"	9'-6" Δ
40'-1" to 55'-0"	42" x .563"	20'-6"	4'-6"	14'-0"	12'-0"	11'-0" Δ
55'-1" to 75'-0"	48" x .563"	21'-6"	5'-0"	15'-0"	13'-0"	11'-0" Δ
75'-1" to 86'-0"	48" x .625"	22'-6"	5'-0"	15'-6"	13'-0"	11'-0" Δ
86'-1" to 104'-0"	54" x .625"	23'-0"	5'-6"	16'-0"	15'-0"	11'-0"
104'-1" to 114'-0"	54" x .688"	24'-0"	5'-6"			
114'-1" to 120'-0"	54" x .750"	25'-0"	5'-6"			

Δ - No reinforcement steel req'd

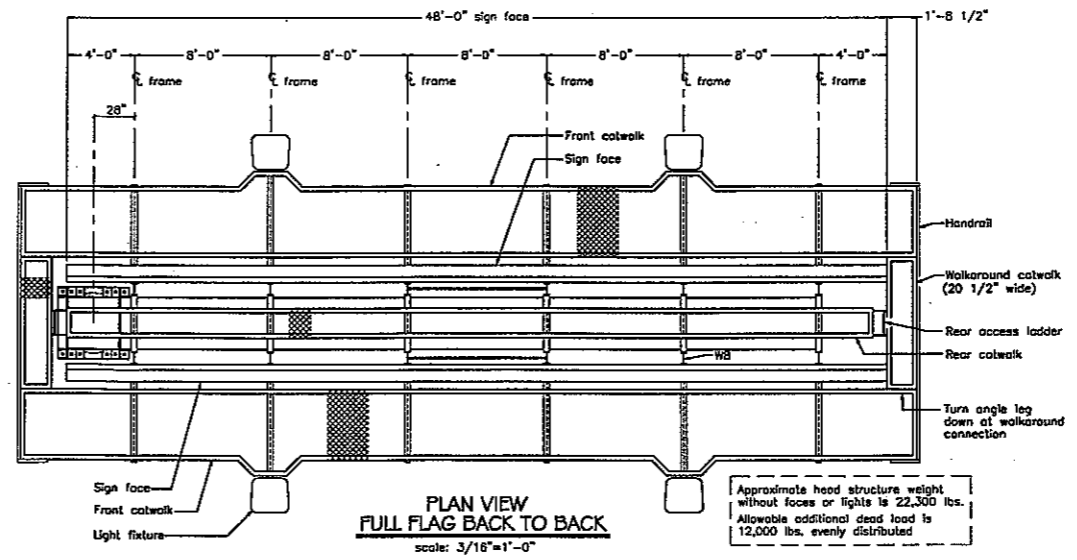
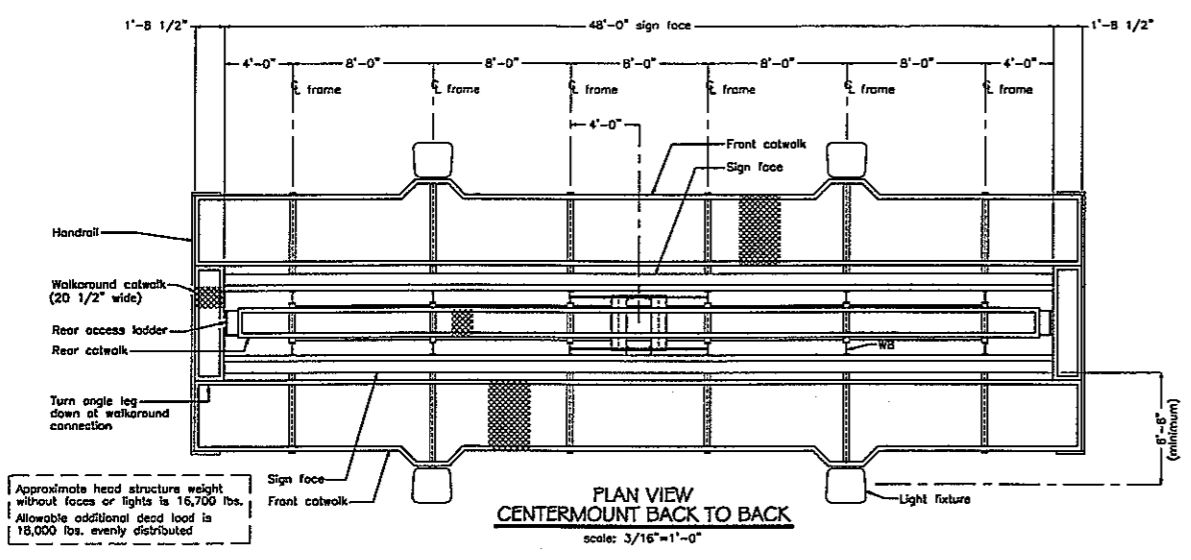
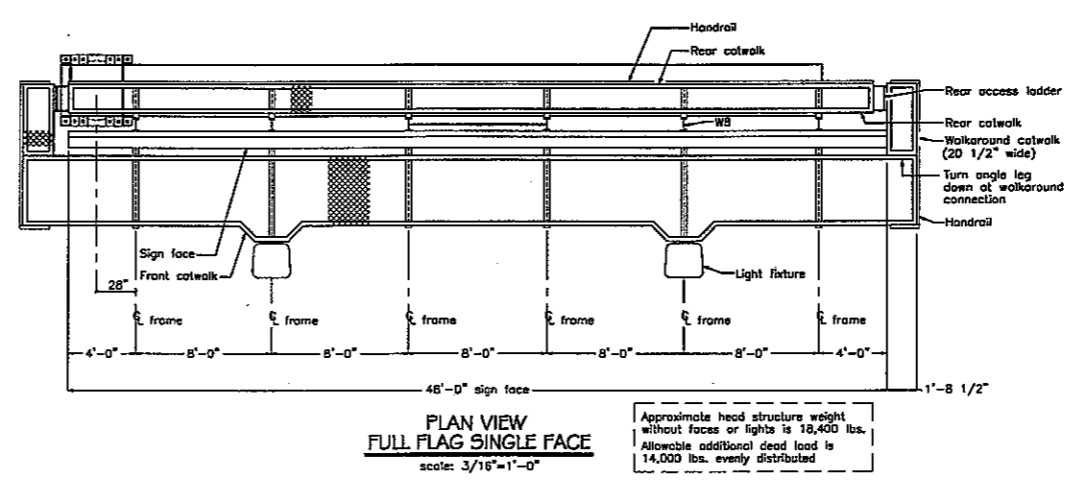
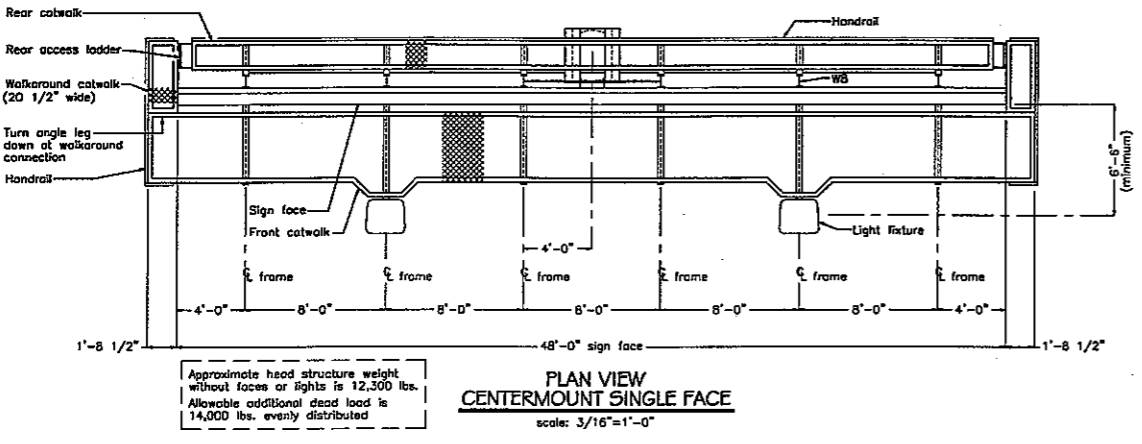
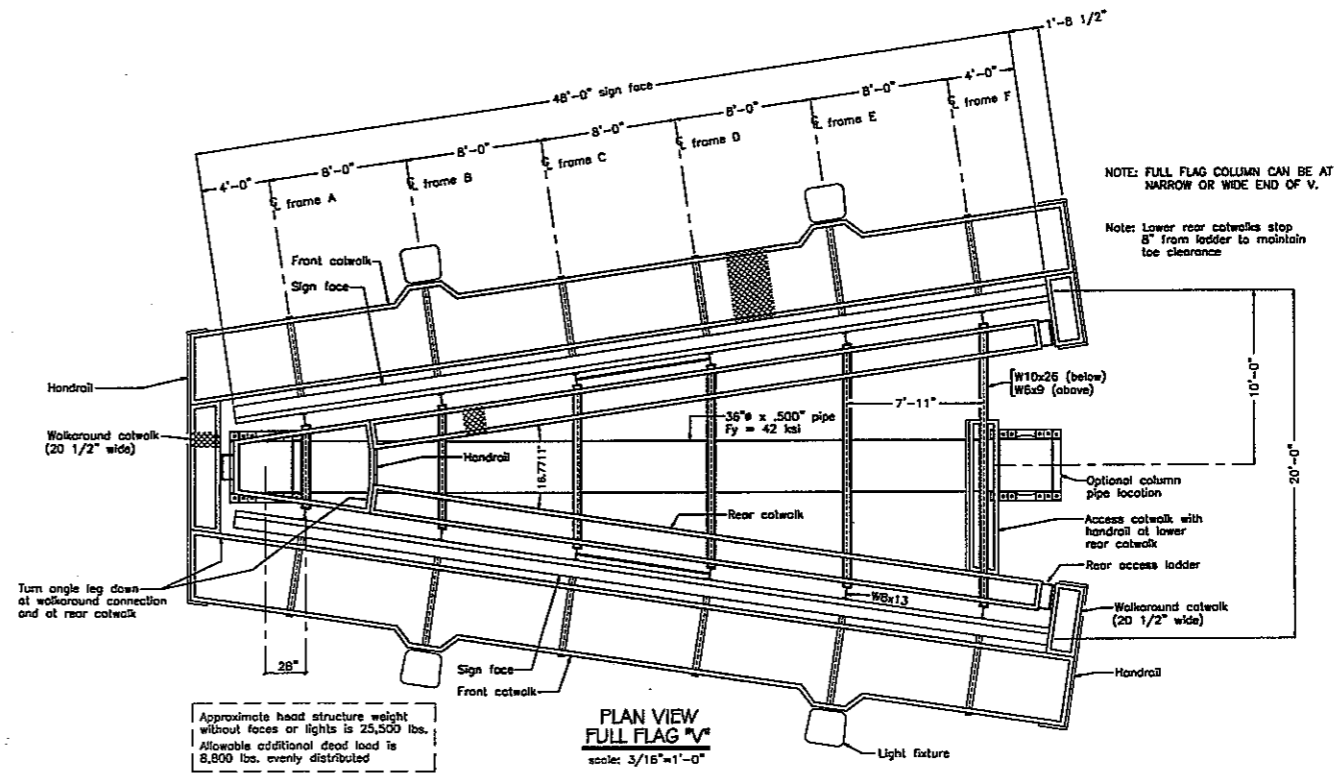
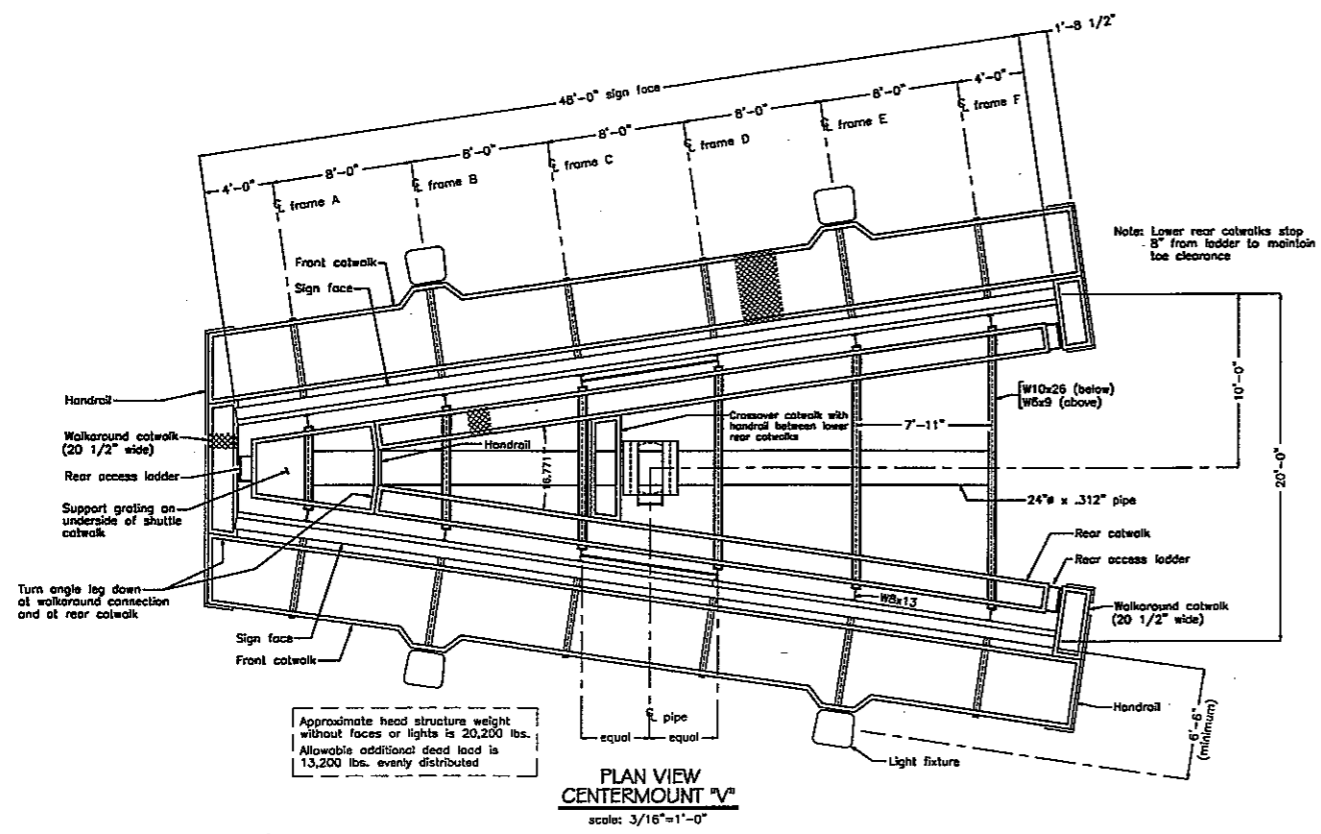


- NOTES
- Design winds - 90 mph, Exposure C., per ASCE 7-02.
 - Design conforms to the 2003 International Building Code.
 - Design conforms to the 2004 Florida Building Code.
 - Pipe shall conform to ASTM A252 grade 2 (unless noted).
 - Structural steel tubing shall conform to ASTM A500 grade B.
 - Structural steel shall conform to ASTM A36 except wide flange beams which shall conform to ASTM A992.
 - Bolts & nuts shall be A325 (unless noted) and be cadmium plated.
 - Steel shall be primed & painted.
 - Welding shall be in accordance with AWS standards.
 - Concrete shall attain a 28 day compressive strength of f'c = 3000 psi.
 - Concrete reinforcing steel shall conform to ASTM A615 grade 60.
 - Welded wire fabric shall conform to ASTM A185.
 - Structural steel shall be fabricated and erected according to the latest AWS specifications and standard practices.
 - The contractor shall verify all dimensions and conditions in the field and notify the engineer of any discrepancies.
 - This drawing represents Quantum standards, there shall be no substituting member sizes or thickness.
 - GRC Engineering Inc. will not be supervising or monitoring the erection/installation of this structure.

CLEAR CHANNEL OUTDOOR

14'-0" x 48'-0" MONOPOLE SIGN STRUCTURE
 CENTERMOUNT - PARTIAL FLAG - FULL FLAG
 STANDARD 20' V - BACK TO BACK - SINGLE FACE
 2003 INTERNATIONAL BUILDING CODE - 2004 FLORIDA BUILDING CODE
 90 MPH, EXPOSURE C. - TO 120'-0" OVERALL HEIGHT

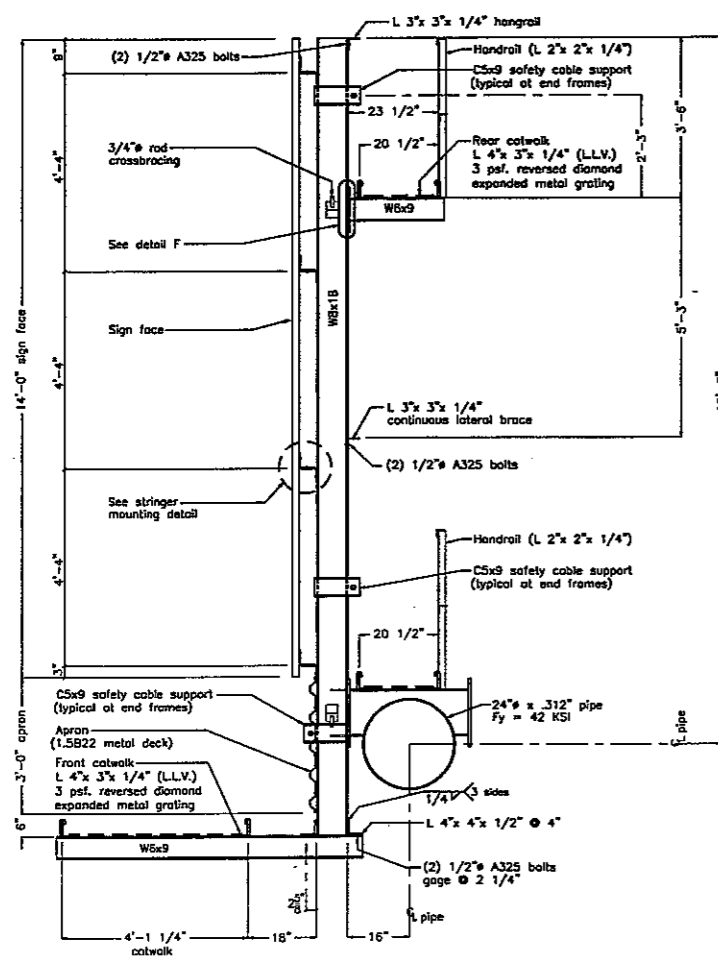
Job Name _____	Job No. _____
Job Location _____	
Drawing No. 1448-90 Sheet 1 of 4	



14'-0" x 48'-0" MONOPOLE SIGN STRUCTURE
 CENTERMOUNT - PARTIAL FLAG - FULL FLAG
 STANDARD 20' V - BACK TO BACK - SINGLE FACE
 2003 INTERNATIONAL BUILDING CODE - 2004 FLORIDA BUILDING CODE
 90 MPH, EXPOSURE C. - TO 120'-0" OVERALL HEIGHT

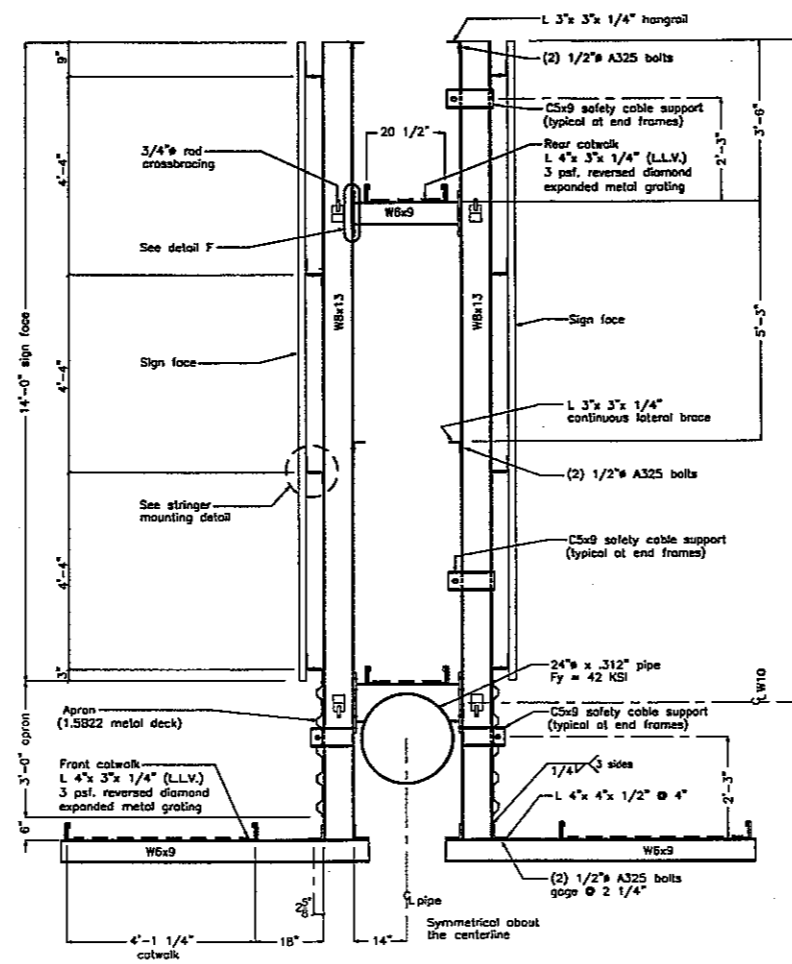
Job Name	Job No.
Job Location	Drawing No.
	1448-90
	sheet 2 of 4





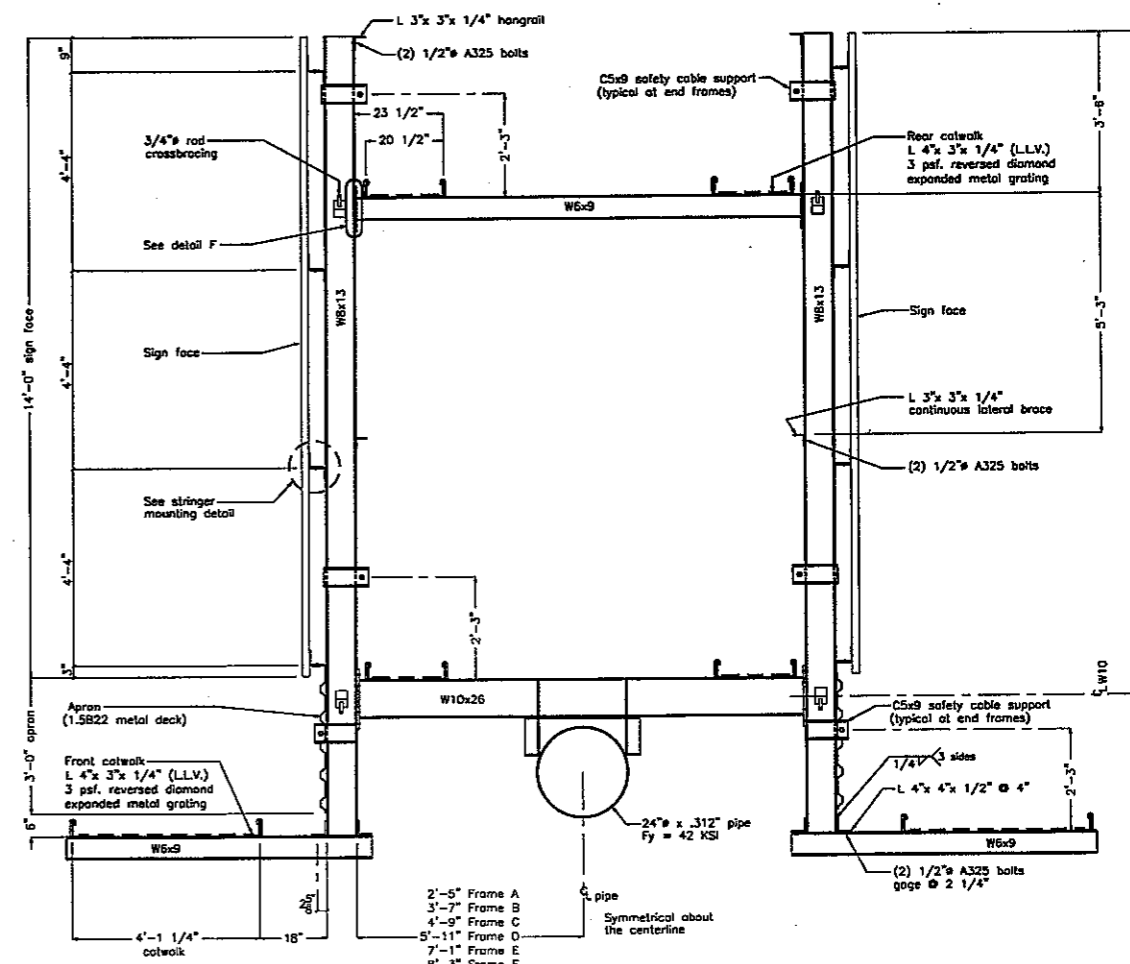
**SECTION A-A
FRAME DETAIL
CENTERMOUNT SINGLE FACE**
scale: 1/2"=1'-0"

FULL FLAG DETAIL SIMILAR
(SEE MOUNTING DETAIL ON SHEET 4)



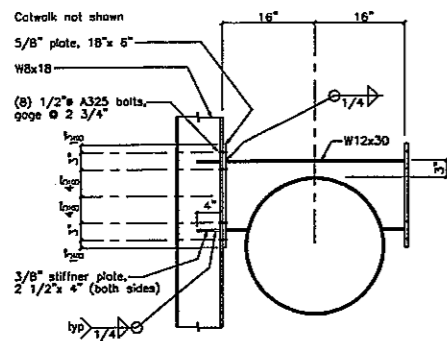
**SECTION A-A
FRAME DETAIL
CENTERMOUNT BACK TO BACK**
scale: 1/2"=1'-0"

FULL FLAG DETAIL SIMILAR
(SEE MOUNTING DETAIL ON SHEET 4)

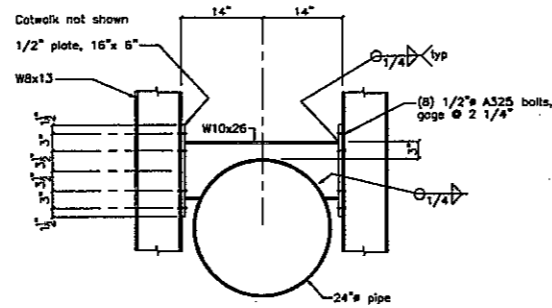


**SECTION A-A
FRAME DETAIL
CENTERMOUNT "V"**
scale: 1/2"=1'-0"

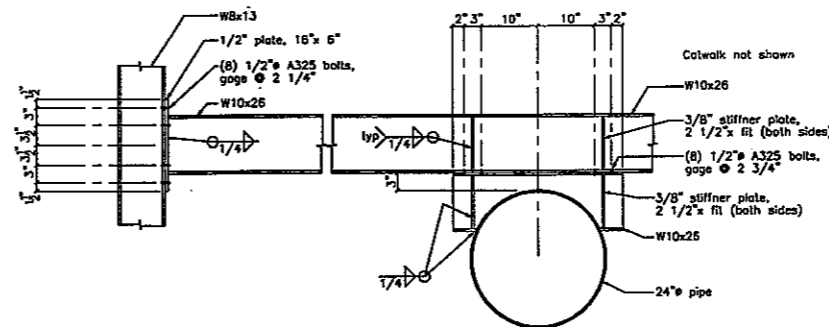
FULL FLAG DETAIL SIMILAR
(SEE MOUNTING DETAIL ON SHEET 4)



**CENTERMOUNT SINGLE FACE
FRAME MOUNTING DETAIL**



**CENTERMOUNT BACK TO BACK
FRAME MOUNTING DETAIL**



**CENTERMOUNT "V"
FRAME MOUNTING DETAIL**

CLEARCHANNEL
OUTDOOR

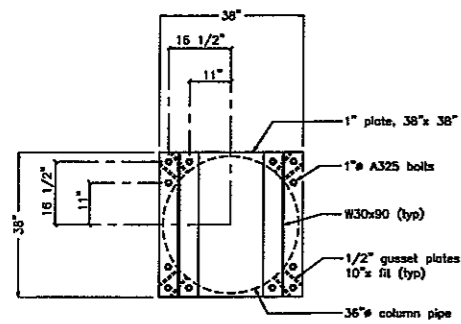
14'-0" x 48'-0" MONOPOLE SIGN STRUCTURE
CENTERMOUNT - PARTIAL FLAG - FULL FLAG
STANDARD 20' V - BACK TO BACK - SINGLE FACE
2008 INTERNATIONAL BUILDING CODE - 2004 FLORIDA BUILDING CODE
90 MPH, EXPOSURE C. - TO 120'-0" OVERALL HEIGHT

Job Name _____
Job Location _____

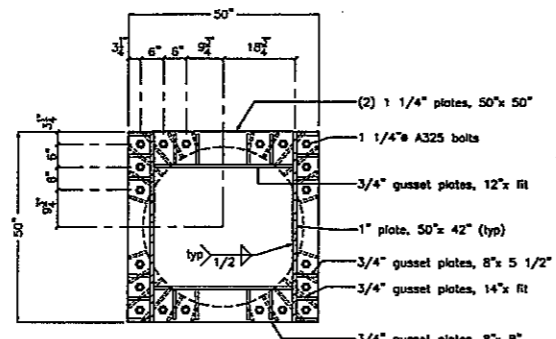


Job No. _____

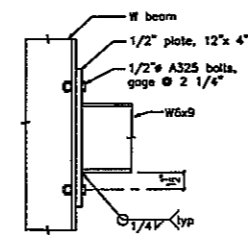
Drawing No.
1448-90
sheet 3 of 4



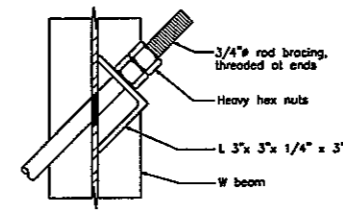
SECTION D-D



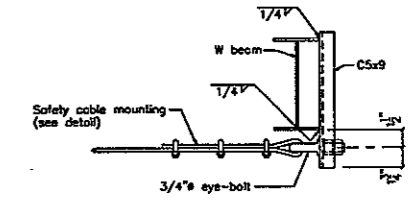
SECTION E-E



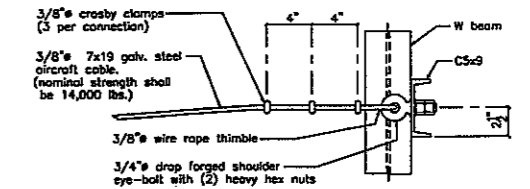
DETAIL F



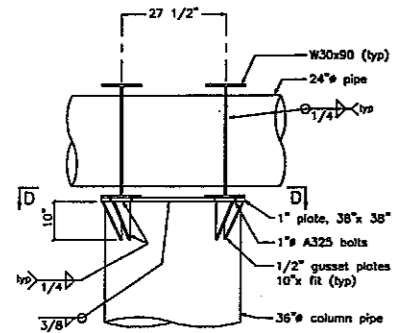
CROSSBRACING DETAIL



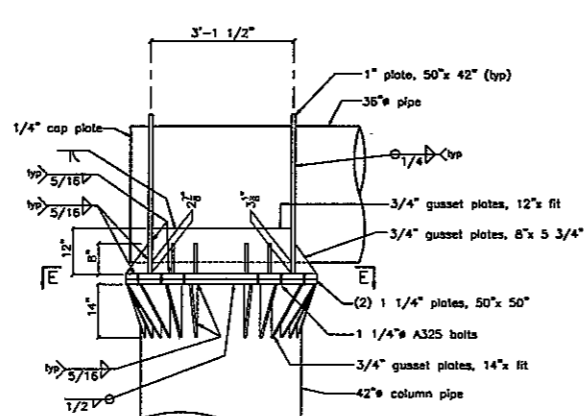
TOP VIEW



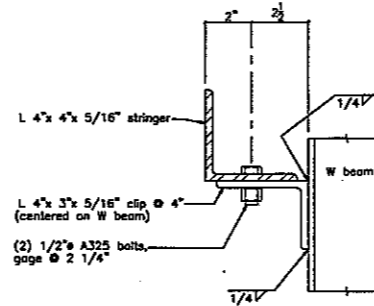
SAFETY CABLE MOUNTING



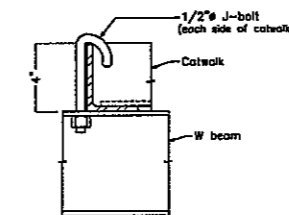
CENTERMOUNT COLUMN CONNECTION DETAIL



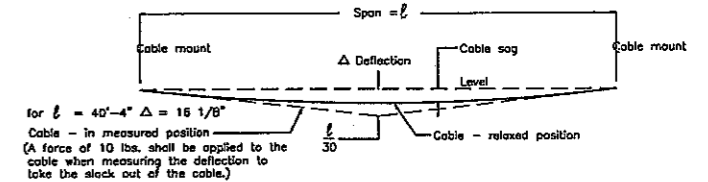
FULL FLAG COLUMN CONNECTION DETAIL



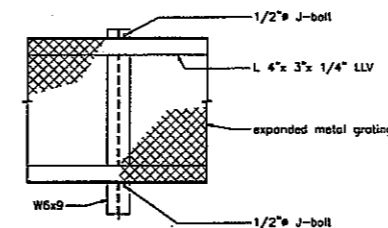
STRINGER MOUNTING DETAIL



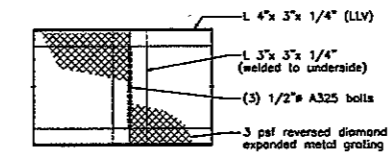
CATWALK MOUNTING DETAIL



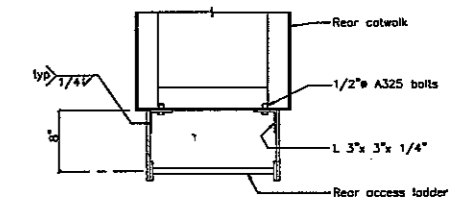
SAFETY CABLE INSTALLATION CRITERIA



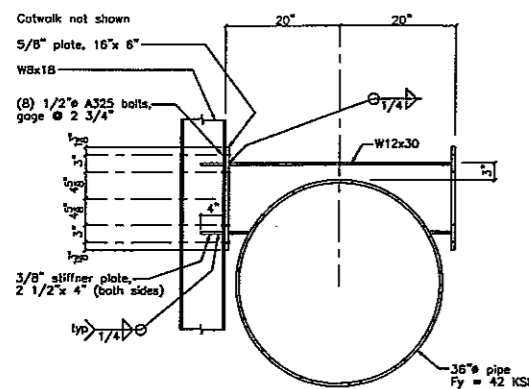
CATWALK DETAIL



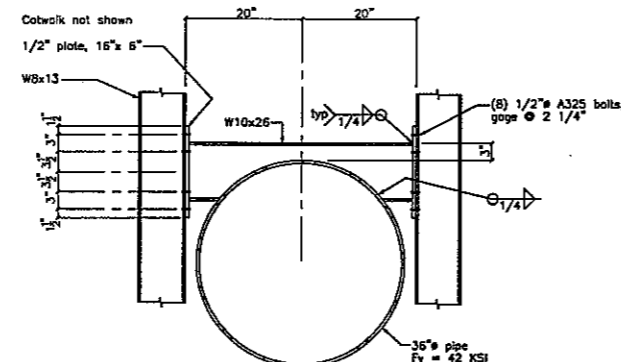
CATWALK SPLICE DETAIL



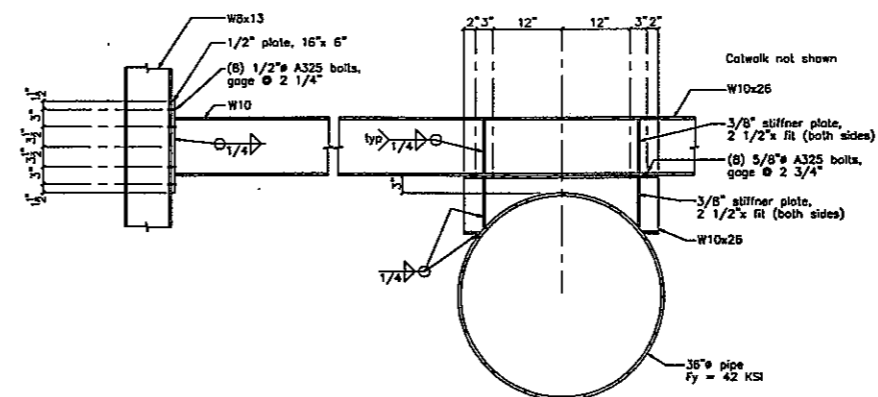
REAR LADDER MOUNTING DETAIL



FULL FLAG SINGLE FACE FRAME MOUNTING DETAIL



FULL FLAG BACK TO BACK FRAME MOUNTING DETAIL



FULL FLAG "V" FRAME MOUNTING DETAIL

CLEARCHANNEL
OUTDOOR

14'-0" x 48'-0" MONOPOLE SIGN STRUCTURE
CENTERMOUNT - PARTIAL FLAG - FULL FLAG
STANDARD 20' V - BACK TO BACK - SINGLE FACE
2003 INTERNATIONAL BUILDING CODE - 2004 FLORIDA BUILDING CODE
90 MPH, EXPOSURE C. - TO 120'-0" OVERALL HEIGHT

Job Name _____
Job Location _____

QUANTUM
ENGINEERING & DESIGN

Job No. _____
Drawing No. **1448-90**
sheet 4 of 4