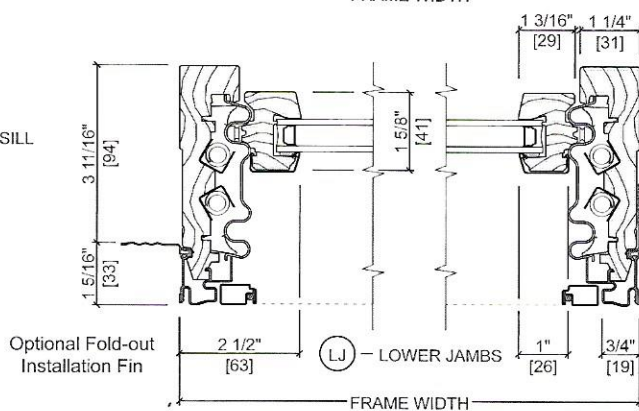
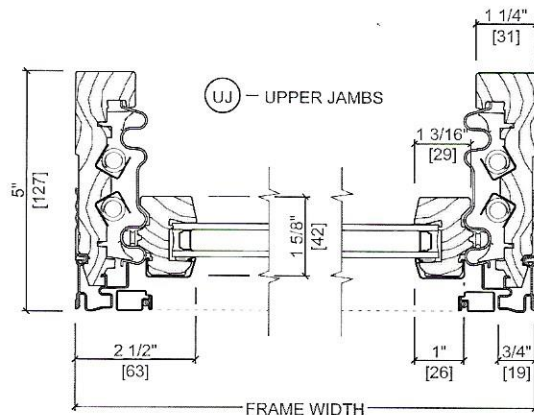
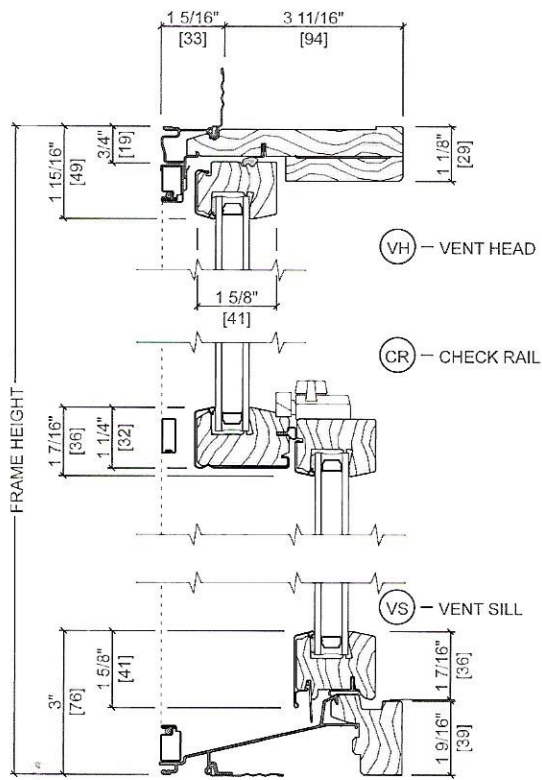
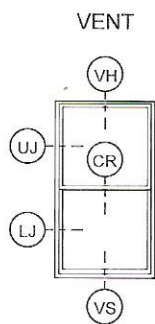
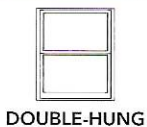




# UNIT SECTIONS

## Aluminum-Clad Exterior



Scale 3" = 1' 0"  
All dimensions are approximate.



For additional product information, visit [PELLAADM.com](http://PELLAADM.com)

Downloadable CAD files.