

CONSULTANT:



AMERICAN DESIGN
INCORPORATED
Architectural Services

1243 N 10th St, Ste 100
Milwaukee, WI 53205
414/253-9020

PROJECT TITLE:

**BLOCK 7
PARKING STRUCTURE**

1215 NORTH 5th STREET
MILWAUKEE, WI 53203

Enter address here

PROJECT STATUS:

**DETAILED PLAN
DEVELOPMENT SET**

REVISIONS:

NUMBER	DATE	DESCRIPTION
--------	------	-------------

SHEET INFORMATION:

PROJECT NUMBER:	20150777
DATE:	5/9/2016
DRAWN BY:	Author
CHECKED BY:	Checker
APPROVED BY:	Approver
SCALE:	AS NOTED

SHEET TITLE:

**Northwest Perspective -
No Housing**

SHEET NUMBER:

AP1

© 2014 GRAEF



NORTHWEST PERSPECTIVE VIEW - NO HOUSING

CONSULTANT:



AMERICAN DESIGN
INCORPORATED
Architectural Services

1243 N 10th St, Ste 100
Milwaukee, WI 53205
414/253-9020

PROJECT TITLE:

**BLOCK 7
PARKING STRUCTURE**

Enter address here

PROJECT STATUS:

**DETAILED PLAN
DEVELOPMENT SET**

REVISIONS:

NUMBER	DATE	DESCRIPTION
--------	------	-------------

SHEET INFORMATION:

PROJECT NUMBER:	20150777
DATE:	5/9/2016
DRAWN BY:	Author
CHECKED BY:	Checker
APPROVED BY:	Approver
SCALE:	AS NOTED

SHEET TITLE:

Northeast Perspective

SHEET NUMBER:

AP2

© 2014 GRAEF



NORTHEAST PERSPECTIVE VIEW

CONSULTANT:



AMERICAN DESIGN
INCORPORATED
Architectural Services

1243 N 10th St, Ste 100
Milwaukee, WI 53205
414/253-9020

PROJECT TITLE:

**BLOCK 7
PARKING STRUCTURE**

1215 NORTH 5th STREET
MILWAUKEE, WI 53203

Enter address here

PROJECT STATUS:

**DETAILED PLAN
DEVELOPMENT SET**

REVISIONS:

NUMBER	DATE	DESCRIPTION
--------	------	-------------

SHEET INFORMATION:

PROJECT NUMBER:	20150777
DATE:	5/9/2016
DRAWN BY:	Author
CHECKED BY:	Checker
APPROVED BY:	Approver
SCALE:	AS NOTED

SHEET TITLE:

Southeast Perspective

SHEET NUMBER:

AP3



SOUTHEAST PERSPECTIVE VIEW

CONSULTANT:



AMERICAN DESIGN
INCORPORATED
Architectural Services

1243 N 10th St. Ste 100
Milwaukee, WI 53205
414/263-9020

PROJECT TITLE:

BLOCK 7 PARKING STRUCTURE

1215 NORTH 5th STREET
MILWAUKEE, WI 53203

Enter address here

PROJECT STATUS:

DETAILED PLAN DEVELOPMENT SET

REVISIONS:

NUMBER	DATE	DESCRIPTION
--------	------	-------------

SHEET INFORMATION:

PROJECT NUMBER: 20150777

DATE: 5/9/2016

DRAWN BY: Author

CHECKED BY: Checker

APPROVED BY: Approver

SCALE: AS NOTED

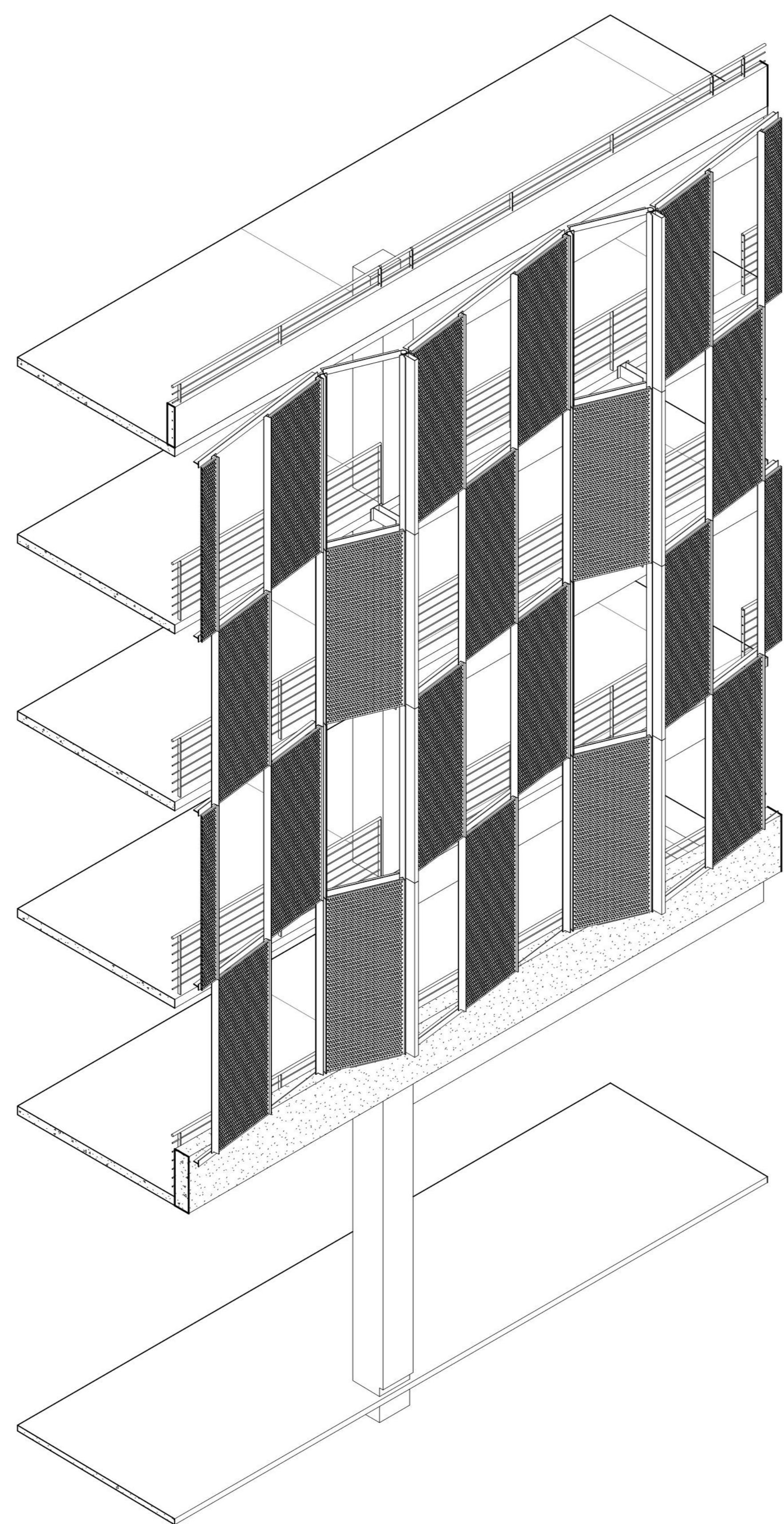
SHEET TITLE:

Perspective Views - Metal Panel Assembly

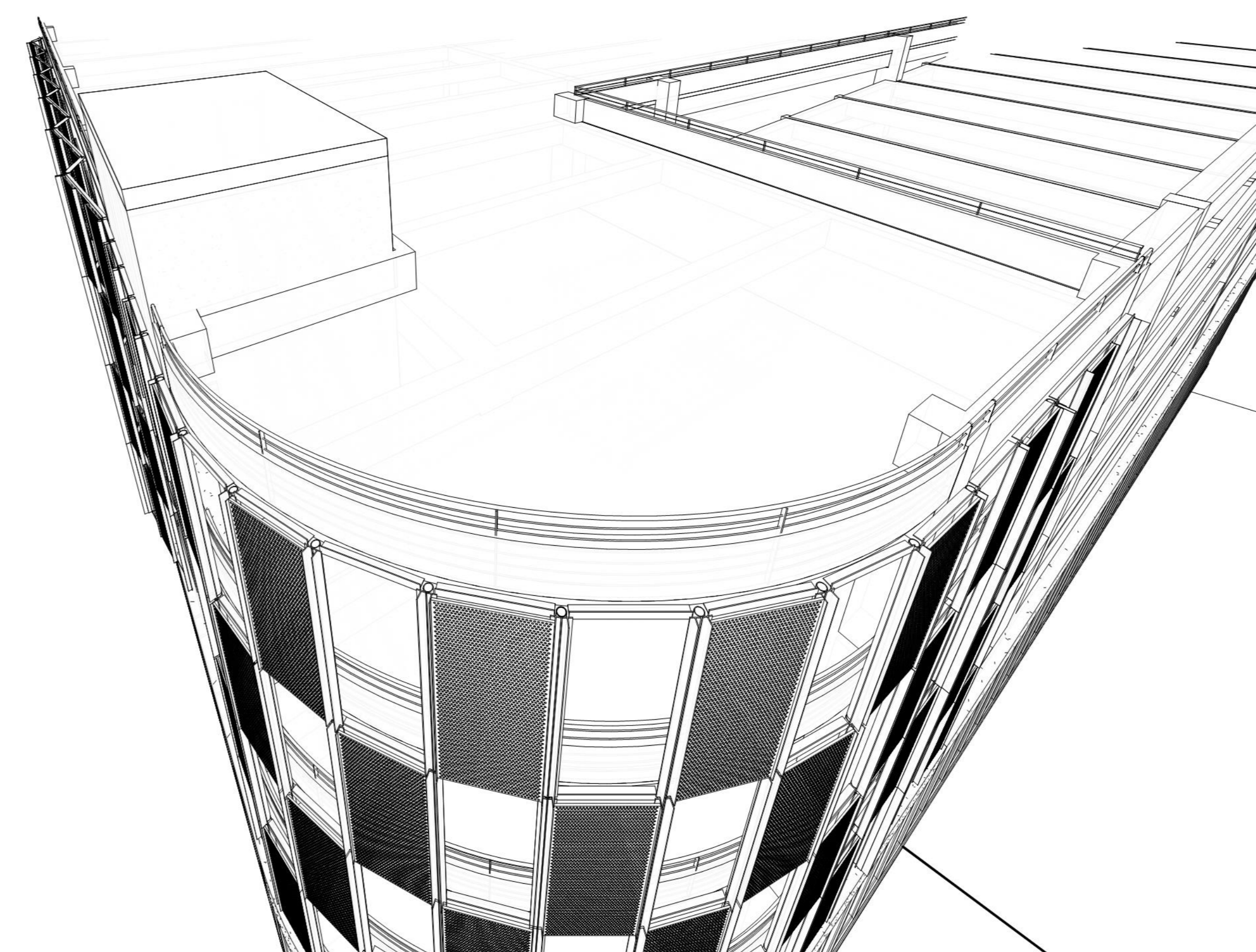
SHEET NUMBER:

AP4

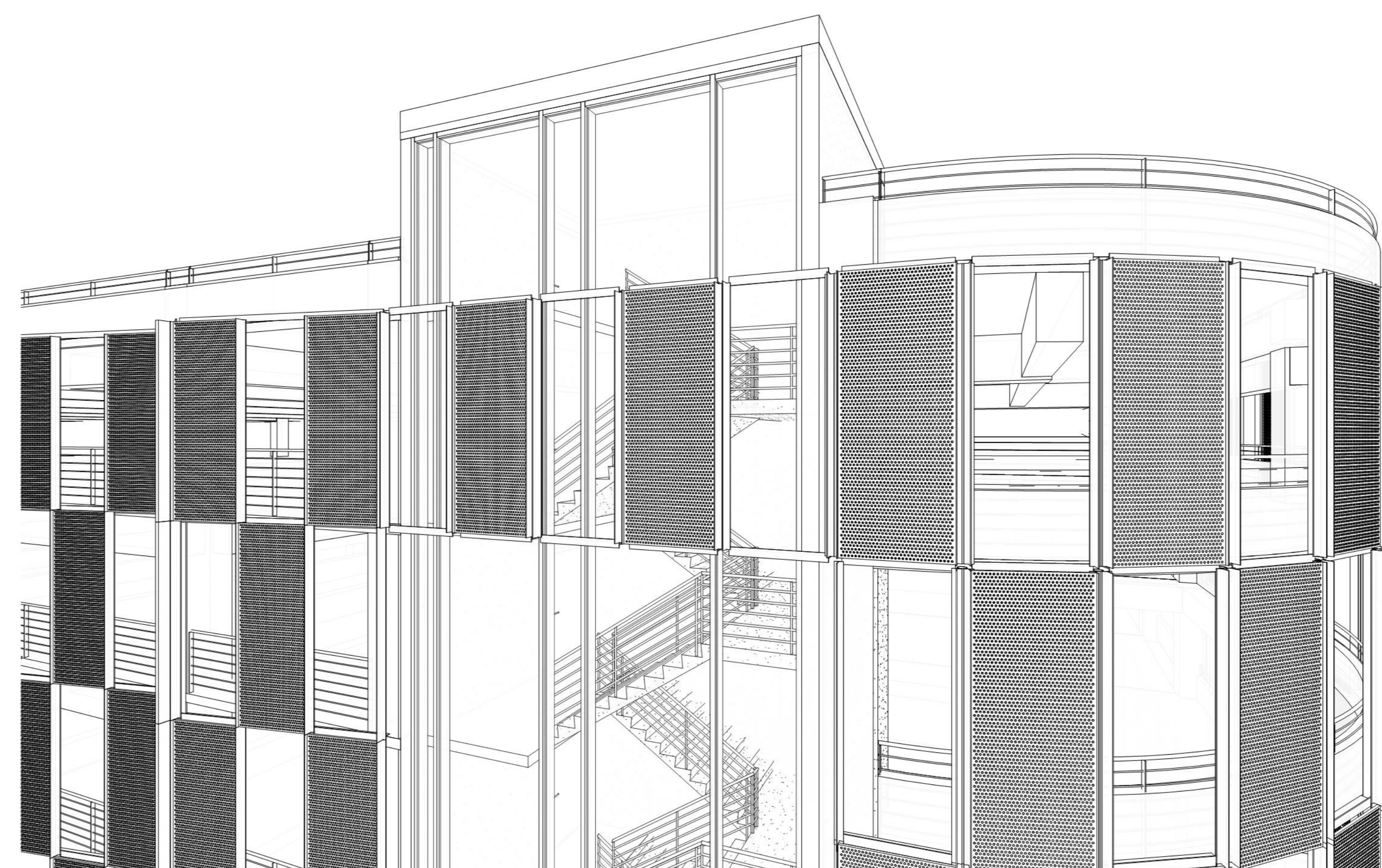
© 2014 GRAEF



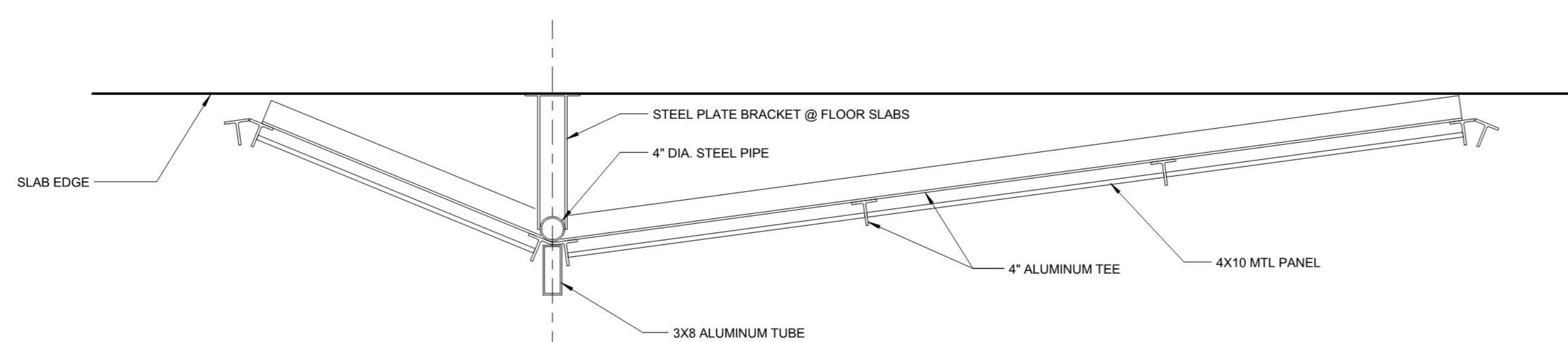
3 AXONOMETRIC - METAL PANEL ASSEMBLY



1 VIEW 1



2 VIEW 2



4 METAL SCREEN PLAN DETAIL
3/4" = 1'-0"