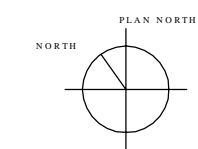


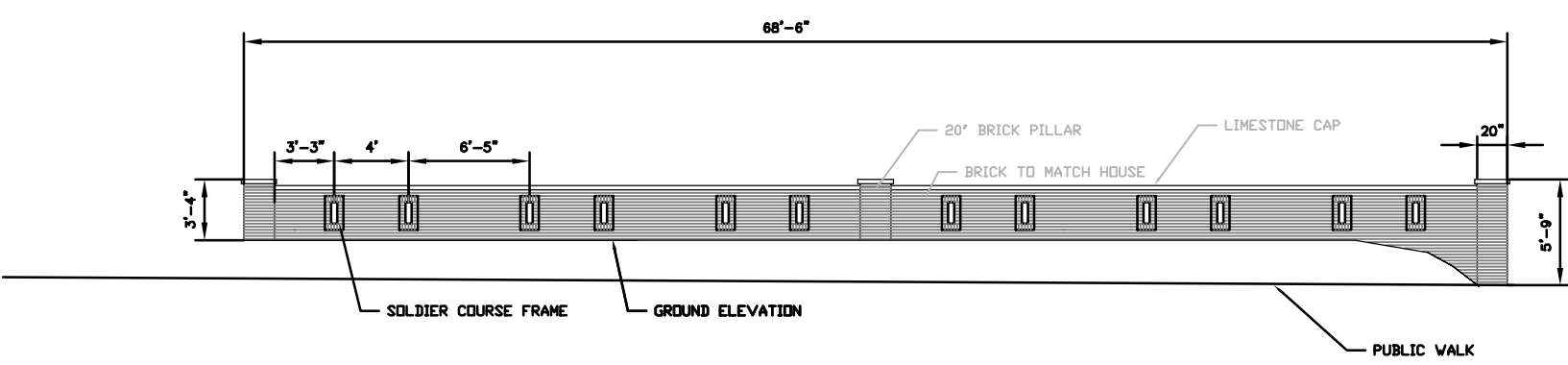
PROPOSED GARDEN WALL SITE PLAN
1" = 10'-0"



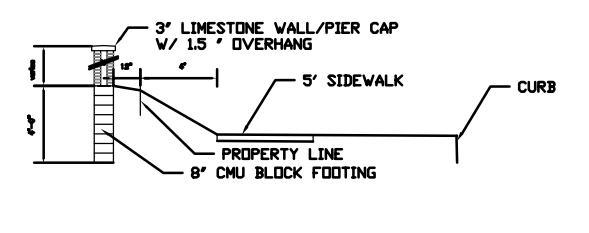
GARDEN WALL ELEVATION - ENHANCED
1" = 10'-0"



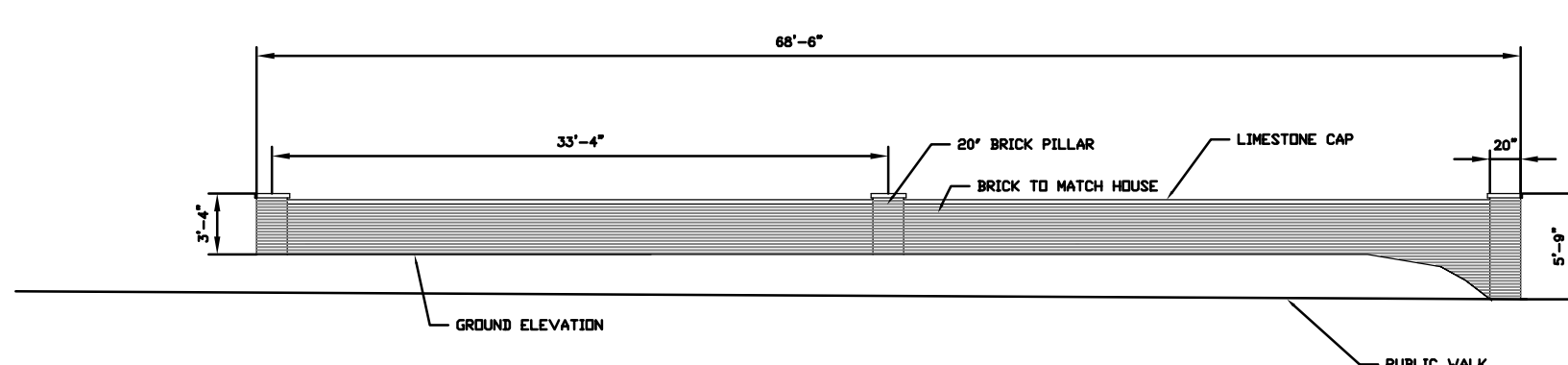
GARDEN WALL ELEVATION - SOLID
1" = 10'-0"



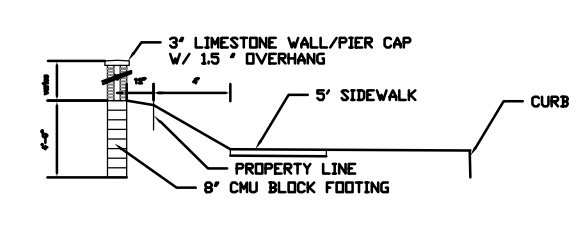
GARDEN WALL DIMENSIONS
1" = 10'-0"



GARDEN WALL DIMENSIONS
1" = 10'-0"



GARDEN WALL DIMENSIONS
1" = 10'-0"



GARDEN WALL DIMENSIONS
1" = 10'-0"

HOSALE / DZIENGEI RESIDENCE
GARDEN WALL - SOUTH SIDEYARD
2604 NORTH LAKE DRIVE; MILWAUKEE, WI 53211

DATE:
OCTOBER 09, 2015

SHEET
L1.0