

TOP FLOOR DOUBLE HUNG PINE

SCALE: 1/4" = 1'-0"

- ①
11 Head
- ②
11 Jamb
- ③
11 Sill
- ④
11 Checkrail

SPECIFICATIONS

Line #: 1

Qty: 9

Mark Unit: Top Floor Double Hung Pine

Brand: Marvin

Series: Wood

Rough Opening: 37" X 86 1/2"

Frame Size: 36" X 86"

Masonry Opening: 39 1/8" X 87 9/16"

Sash Opening: 37" X 86 1/2"

Inside Opening: 37" X 86 1/2"

Exterior Finish: Primed

Interior Finish: Stained Interior Finish, Espresso

Product: Ultimate Double Hung

Glass Information: IG, Tempered Clear, Stainless

Hardware Type: Sash Lock, Sash Lift

Hardware Color: Bronze

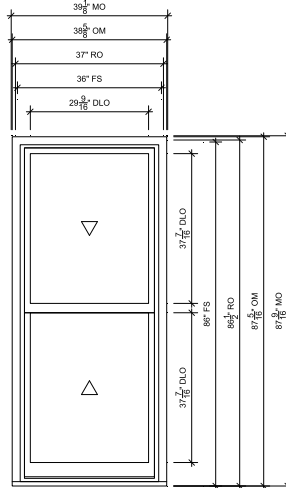
Screen Type: Half Screen

Screen Surround Color: Bronze

Screen Mesh Type: Charcoal Hi-Transparency Fbrgls Mesh

Jamb Depth: Standard Jambs, 6 9/16"

Subsill: Standard Subsill



TOP FLOOR DOUBLE HUNG DF

SCALE: 1/4" = 1'-0"

- ①
11 Head
- ②
11 Jamb
- ③
11 Sill
- ④
11 Checkrail

SPECIFICATIONS

Line #: 2

Qty: 9

Mark Unit: Top Floor Double Hung DF

Brand: Marvin

Series: Wood

Rough Opening: 37" X 86 1/2"

Frame Size: 36" X 86"

Masonry Opening: 39 1/8" X 87 9/16"

Sash Opening: 37" X 86 1/2"

Inside Opening: 37" X 86 1/2"

Exterior Finish: Bare

Interior Finish: Stained Interior Finish, Espresso

Product: Ultimate Double Hung

Glass Information: IG, Tempered Clear, Stainless

Hardware Type: Sash Lock, Sash Lift

Hardware Color: Bronze

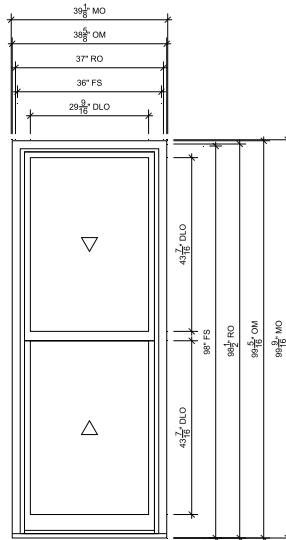
Screen Type: Half Screen

Screen Surround Color: Bronze

Screen Mesh Type: Charcoal Hi-Transparency Fbrgls Mesh

Jamb Depth: Standard Jambs, 6 9/16"

Subsill: Standard Subsill



1ST FLOOR DOUBLE HUNG PINE

SCALE: 1/4" = 1'-0"

- $\frac{1}{12}$ Head
- $\frac{2}{12}$ Jamb
- $\frac{3}{12}$ Sill
- $\frac{4}{12}$ Checkrail

SPECIFICATIONS

Line #: 3

Qty: 5

Mark Unit: 1st Floor Double Hung Pine

Brand: Marvin

Series: Wood

Rough Opening: 37" X 98 1/2"

Frame Size: 36" X 98"

Masonry Opening: 39 1/8" X 99 9/16"

Sash Opening: 37" X 98 1/2"

Inside Opening: 37" X 98 1/2"

Exterior Finish: Primed

Interior Finish: Stained Interior Finish, Espresso

Product: Ultimate Double Hung Magnum

Glass Information: IG, Tempered Clear, Stainless

Hardware Type: Sash Lock, Sash Lift

Hardware Color: Bronze

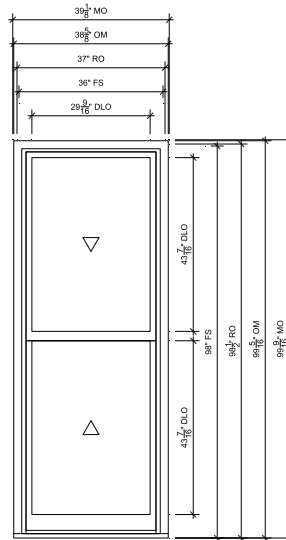
Screen Type: Magnum Half Screen

Screen Surround Color: Bronze

Screen Mesh Type: Charcoal Hi-Transparency Fbrgls Mesh

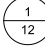
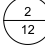
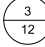
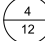
Jamb Depth: Standard Jambs, 6 9/16"

Subsill: Standard Subsill



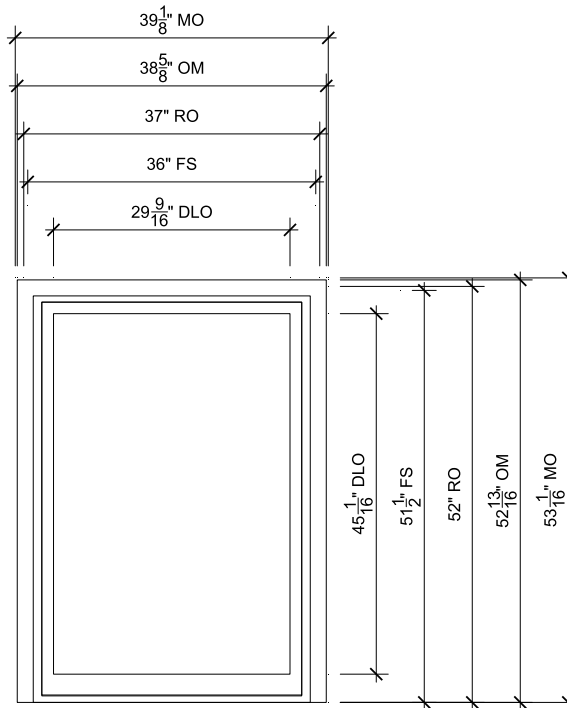
1ST FLOOR DOUBLE HUNG DF MAG

SCALE: 1/4" = 1'-0"

-  Head
-  Jamb
-  Sill
-  Checkrail

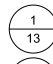
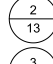
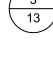
SPECIFICATIONS

Line #: 4
 Qty: 5
 Mark Unit: 1st Floor Double Hung DF Mag
 Brand: Marvin
 Series: Wood
 Rough Opening: 37" X 98 1/2"
 Frame Size: 36" X 98"
 Masonry Opening: 39 1/8" X 99 9/16"
 Sash Opening: 37" X 98 1/2"
 Inside Opening: 37" X 98 1/2"
 Exterior Finish: Bare
 Interior Finish: Stained Interior Finish, Espresso
 Product: Ultimate Double Hung Magnum
 Glass Information: IG, Tempered Clear, Stainless
 Hardware Type: Sash Lock, Sash Lift
 Hardware Color: Bronze
 Screen Type: Magnum Half Screen
 Screen Surround Color: Bronze
 Screen Mesh Type: Charcoal Hi-Transparency Fbrgls Mesh
 Jamb Depth: Standard Jamb, 6 9/16"
 Subsill: Standard Subsill



1ST FLR SIDE ELEVATION PINE

SCALE: 1/2" = 1'-0"

-  Head
-  Jamb
-  Sill

SPECIFICATIONS

Line #: 5

Qty: 1

Mark Unit: 1st Flr side elevation Pine

Brand: Marvin

Series: Wood

Rough Opening: 37" X 52"

Frame Size: 36" X 51 1/2"

Masonry Opening: 39 1/8" X 53 1/16"

Sash Opening: 37" X 52"

Inside Opening: 37" X 52"

Exterior Finish: Primed

Interior Finish: Stained Interior Finish, Espresso

Product: Ultimate Double Hung

Glass Information: IG, Tempered Clear, Stainless

Hardware Type: None

Hardware Color: None

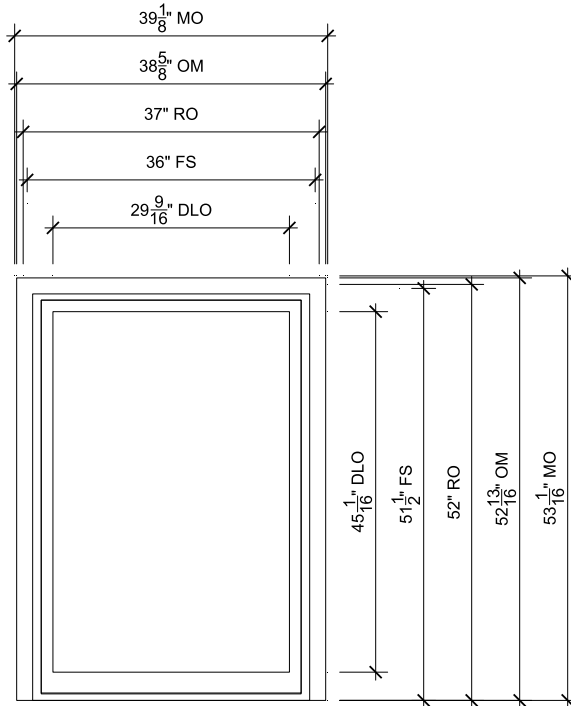
Screen Type: None

Screen Surround Color: None

Screen Mesh Type: None

Jamb Depth: Standard Jambs, 6 9/16"

Subsill: Subsill Type : None



1ST FLR SIDE ELEVATION DF

SCALE: 1/2" = 1'-0"

- $\frac{1}{13}$ Head
- $\frac{2}{13}$ Jamb
- $\frac{3}{13}$ Sill

SPECIFICATIONS

Line #: 6

Qty: 1

Mark Unit: 1st Flr side elevation DF

Brand: Marvin

Series: Wood

Rough Opening: 37" X 52"

Frame Size: 36" X 51 1/2"

Masonry Opening: 39 1/8" X 53 1/16"

Sash Opening: 37" X 52"

Inside Opening: 37" X 52"

Exterior Finish: Bare

Interior Finish: Stained Interior Finish, Espresso

Product: Ultimate Double Hung

Glass Information: IG, Tempered Clear, Stainless

Hardware Type: None

Hardware Color: None

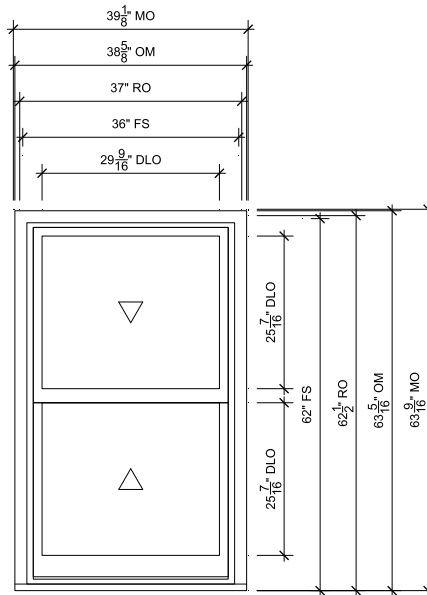
Screen Type: None

Screen Surround Color: None

Screen Mesh Type: None

Jamb Depth: Standard Jambs, 6 9/16"

Subsill: Subsill Type : None



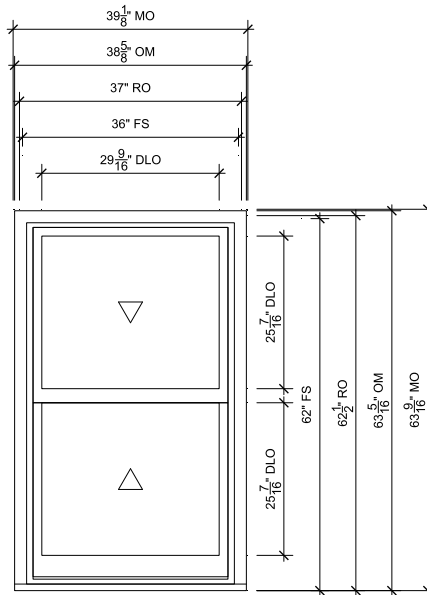
OVER DOOR PINE

SCALE: $\frac{3}{8}$ " = 1'-0"

- $\frac{4}{13}$ Head
- $\frac{1}{14}$ Jamb
- $\frac{2}{14}$ Sill
- $\frac{3}{14}$ Checkrail

SPECIFICATIONS

Line #: 7
 Qty: 1
 Mark Unit: Over door Pine
 Brand: Marvin
 Series: Wood
 Rough Opening: 37" X 62 1/2"
 Frame Size: 36" X 62"
 Masonry Opening: 39 1/8" X 63 9/16"
 Sash Opening: 37" X 62 1/2"
 Inside Opening: 37" X 62 1/2"
 Exterior Finish: Primed
 Interior Finish: Stained Interior Finish, Espresso
 Product: Ultimate Double Hung
 Glass Information: IG, Tempered Clear, Stainless
 Hardware Type: Sash Lock, Sash Lift
 Hardware Color: Bronze
 Screen Type: No Screen
 Screen Surround Color: None
 Screen Mesh Type: None
 Jamb Depth: Standard Jamb, 6 9/16"
 Subsill: Standard Subsill



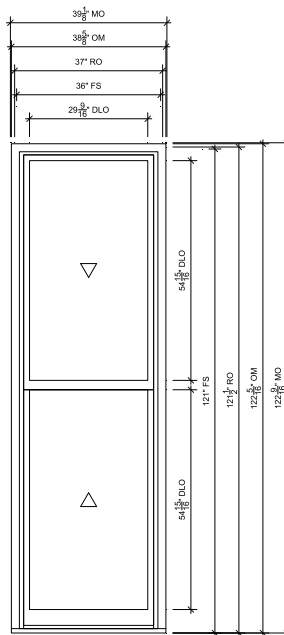
OVER DOOR DF

SCALE: 3/8" = 1'-0"

- $\frac{4}{13}$ Head
- $\frac{1}{14}$ Jamb
- $\frac{2}{14}$ Sill
- $\frac{3}{14}$ Checkrail

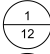
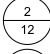
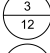
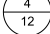
SPECIFICATIONS

Line #: 8
 Qty: 1
 Mark Unit: Over door DF
 Brand: Marvin
 Series: Wood
 Rough Opening: 37" X 62 1/2"
 Frame Size: 36" X 62"
 Masonry Opening: 39 1/8" X 63 9/16"
 Sash Opening: 37" X 62 1/2"
 Inside Opening: 37" X 62 1/2"
 Exterior Finish: Bare
 Interior Finish: Stained Interior Finish, Espresso
 Product: Ultimate Double Hung
 Glass Information: IG, Tempered Clear, Stainless
 Hardware Type: Sash Lock, Sash Lift
 Hardware Color: Bronze
 Screen Type: No Screen
 Screen Surround Color: None
 Screen Mesh Type: None
 Jamb Depth: Standard Jamb, 6 9/16"
 Subsill: Standard Subsill



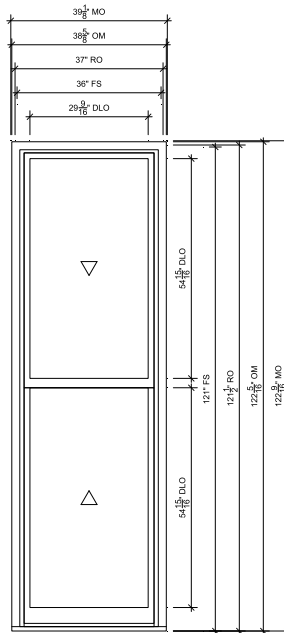
1ST FL FRONT DH MAGNUM PINE

SCALE: 1/4" = 1'-0"

-  Head
-  Jamb
-  Sill
-  Checkrail

SPECIFICATIONS

Line #: 9
 Qty: 1
 Mark Unit: 1st Fl Front DH Magnum Pine
 Brand: Marvin
 Series: Wood
 Rough Opening: 37" X 121 1/2"
 Frame Size: 36" X 121"
 Masonry Opening: 39 1/8" X 122 9/16"
 Sash Opening: 37" X 121 1/2"
 Inside Opening: 37" X 121 1/2"
 Exterior Finish: Primed
 Interior Finish: Stained Interior Finish, Espresso
 Product: Ultimate Double Hung Magnum
 Glass Information: IG, Tempered Clear, Stainless
 Hardware Type: Sash Lock, Sash Lift
 Hardware Color: Bronze
 Screen Type: Magnum Half Screen
 Screen Surround Color: Bronze
 Screen Mesh Type: Charcoal Hi-Transparency Fbrgls Mesh
 Jamb Depth: Standard Jambs, 6 9/16"
 Subsill: Standard Subsill



1ST FL FRONT DH MAGNUM DF

SCALE: 1/4" = 1'-0"

- 1
12 Head
- 2
12 Jamb
- 3
12 Sill
- 4
12 Checkrail

SPECIFICATIONS

Line #: 10

Qty: 1

Mark Unit: 1st Fl Front DH Magnum DF

Brand: Marvin

Series: Wood

Rough Opening: 37" X 121 1/2"

Frame Size: 36" X 121"

Masonry Opening: 39 1/8" X 122 9/16"

Sash Opening: 37" X 121 1/2"

Inside Opening: 37" X 121 1/2"

Exterior Finish: Bare

Interior Finish: Stained Interior Finish, Espresso

Product: Ultimate Double Hung Magnum

Glass Information: IG, Tempered Clear, Stainless

Hardware Type: Sash Lock, Sash Lift

Hardware Color: Bronze

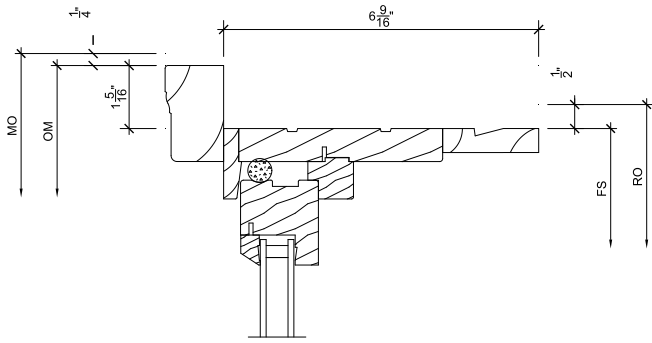
Screen Type: Magnum Half Screen

Screen Surround Color: Bronze

Screen Mesh Type: Charcoal Hi-Transparency Fbrgls Mesh

Jamb Depth: Standard Jambs, 6 9/16"

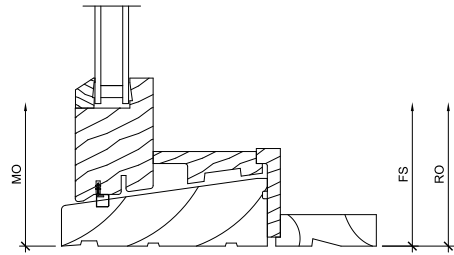
Subsill: Standard Subsill



1
13

Head

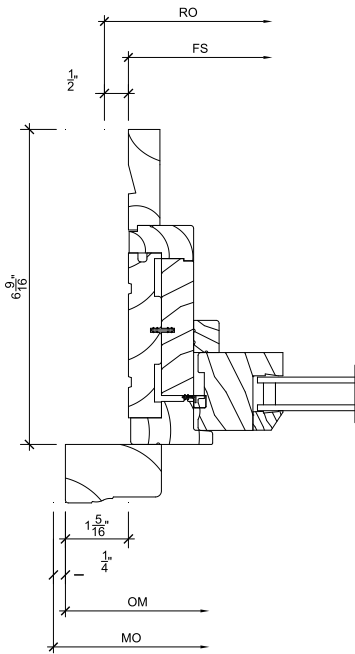
SCALE: 3" = 1'-0"



3
13

Sill

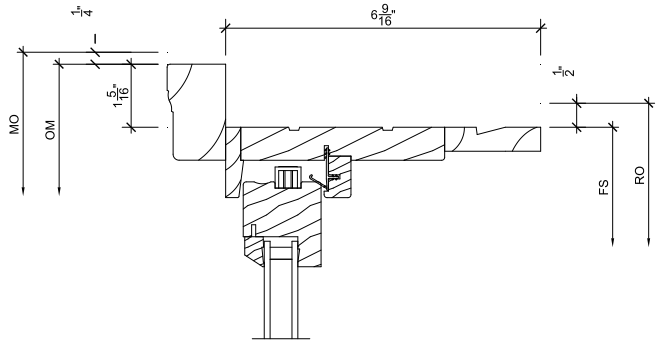
SCALE: 3" = 1'-0"



2
13

Jamb

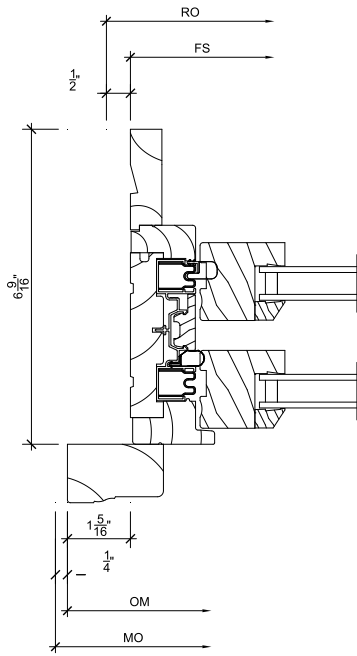
SCALE: 3" = 1'-0"



4
13

Head

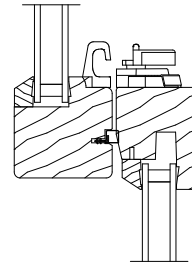
SCALE: 3" = 1'-0"



1
14

Jamb

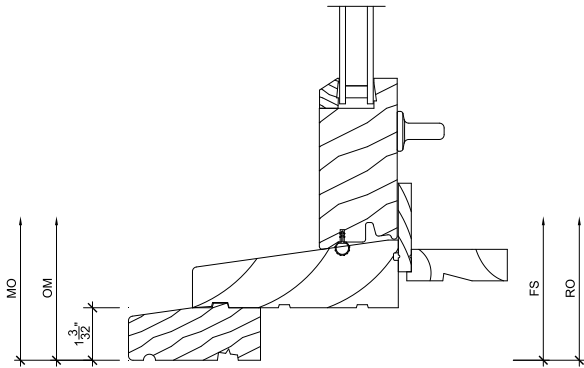
SCALE: 3" = 1'-0"



3
14

Checkrail

SCALE: 3" = 1'-0"



2
14

Sill

SCALE: 3" = 1'-0"

4
14

NOT USED

SCALE: 3" = 1'-0"