



PETITION FOR A SPECIAL PRIVILEGE

ccl-246 (7/15)
SP 2738
CCF 160257

- New application \$250.00 Fee
- Amendment to add items to Special Privilege # _____ (\$125.00 Fee)
- Amendment to remove items from Special Privilege # _____ (No fee)
- Amendment for change of ownership for Special Privilege # _____ (No fee)

- File petition with the Department of Public Works, Attention: Special Privileges, 841 North Broadway, Room 919, Milwaukee, WI 53202.
- Fee must be submitted with petition. Checks should be made payable to the City of Milwaukee.
- Questions? Call 414-286-2454

To the Honorable, The Common Council of the City of Milwaukee:

The Licensee LCM FUND 27 PARKING LLC
(Name of Individual, Partners, Corporation or LLC)

being the owners of the following property known by street address as 300 S. 1st ST. 53204
(Street Address and Zip Code)

in the 12th Aldermanic District respectfully petition the Common Council of the City of Milwaukee according to the provisions of Section 66.0425 of the Wisconsin Statutes, that the following privilege be granted:

Description of Special Privilege: to allow the card reader (keypad access controller) to occupy the public right-of-way. and appropriate cabling

Of which a plan or sketch is herewith submitted. Petitioner agrees to comply with all laws and all ordinances of the City of Milwaukee, to abide by any order or resolution of the Common Council affecting this privilege, to be primarily liable for damages to person or property by reason of the granting of such privilege, pay annual compensation as provided by law in the sum to be fixed by the proper city officers, and to file and keep current throughout the existence of the privilege, a certificate of insurance indicating applicant holds a public liability policy in at least the sums of \$25,000.00/\$50,000.00 bodily injury, and \$10,000.00 property damage, insuring the city against any liability that might arise by reason of the privilege.

Petitioner further agrees to remove said privilege whenever public necessity so requires when so ordered upon resolution adopted by the Common Council or other legislative body.

Should this special privilege be discontinued for any reason whatsoever, petitioner agrees to remove all construction work executed pursuant to this special privilege, to restore to its former condition and to the approval of the Commissioner of Public Works, any curb, pavement, or other public improvement which was removed, changed or disturbed by reason of the granting of this special privilege. Petitioner further agrees not to contest the validity of Section 66.0425 of the Wisconsin Statutes, or the legality of this special privilege in any way.

Name (Please Print): RODNEY J. MAYER
(Individual, Partner, or Agent if corporation or LLC as shown above)

Signature: [Signature] Date: 5/19/2016
(Individual, Partner, or Agent if corporation or LLC)

Corporation or LLC Name: LCM FUND 27 PARKING LLC
(If applicable, as shown above)

Mailing Address (If different than property address above): P.O. Box 1602

(OVER)

City: MILWAUKEE State: WI Zip: 53201

Telephone: 414-403-5185 E-Mail: davidw@dandkmanagement.com

Architect/Engineer/Contractor (If Applicable)

Name: _____

Address: _____

City: _____ State: _____ Zip: _____

Telephone: _____ E-Mail: _____

IMPORTANT NOTICE FOR CUSTOMERS PAYING BY CHECK

When you provide a check as payment, you authorize us either to use information from your check to make a one-time electronic fund transfer from your account or to process the payment as a check transaction.

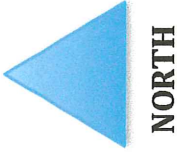
PAID

\$ 250.00

MAY 19 2016

**Special Privilege Application
City of Milwaukee
Department of Public Works**

Oregon and 1st
 300 E. Oregon Street
 Special Privilege to allow the card reader and appurtenant cabling to occupy the public right-of-way.



East Oregon Street

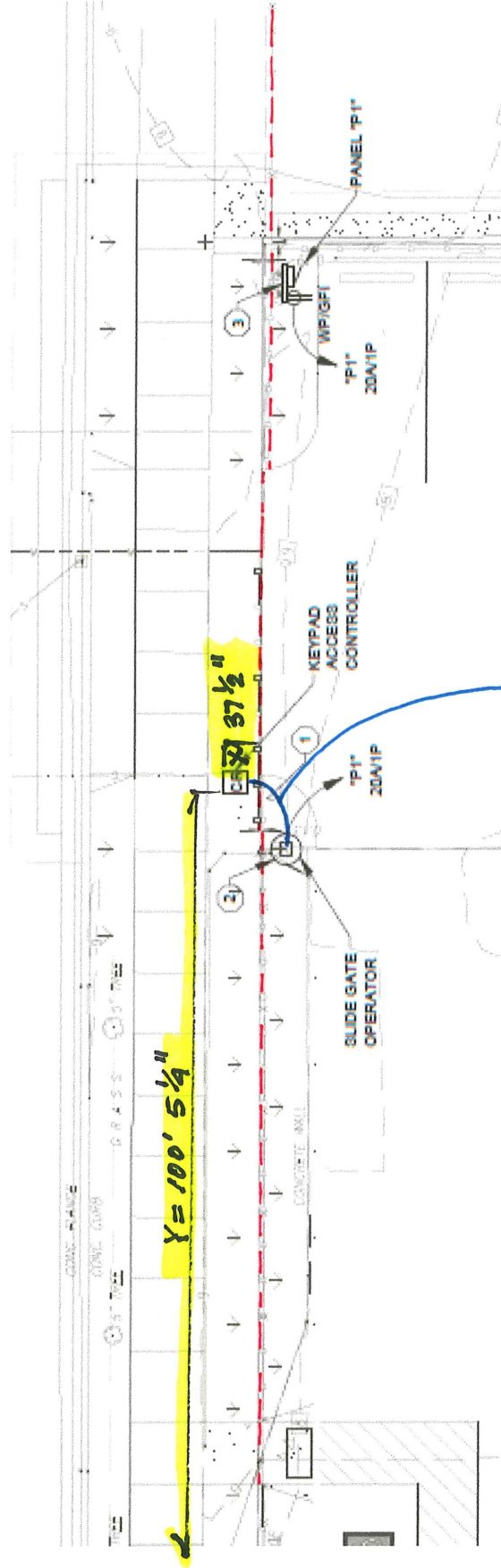
--- Denotes Property Line

"X" - 37 1/2" - Keypad Access Controller - North Face to Property Line

"Y" - 100' 5 1/4" - Keypad Access Controller - West Face to 1st Street Property Line

Keypad Access Controller is mounted on a sonotube, concrete base

— Denotes 1 (one) 3/4" conduit from Slide Gate Operator to Keypad Access Controller, below grade



1 (one) 3/4" conduit
 below grade



PLATINUM ACCESS SYSTEMS, INC.

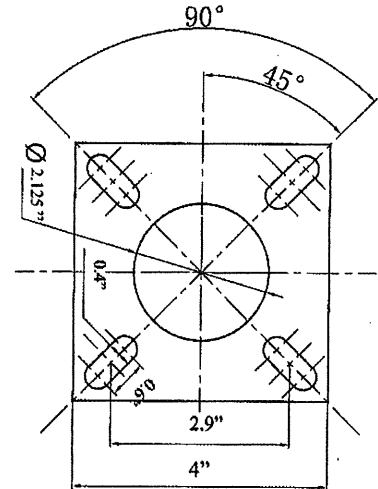
PGN-42 Gosse Neck

Description

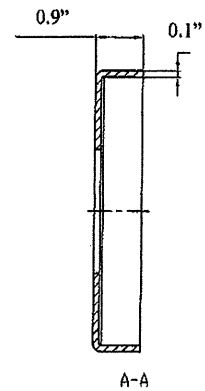
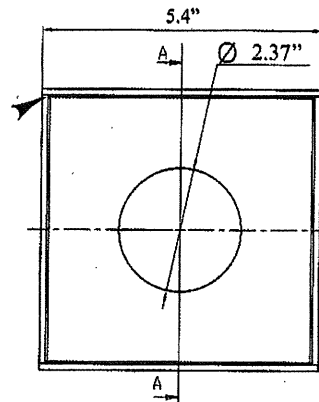
The PGN-42 is a cost effective pad mount pedestal that use to hold card readers, intercoms, keypads, telephone entry systems and housings. The PGN-42 is washed in a phosphate solution to prevent rusting, then heat dried, coated with an outdoor black powder.

PGN-42 Goose Neck Specifications

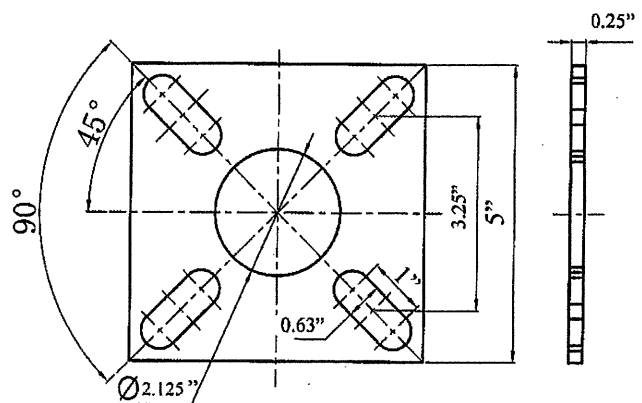
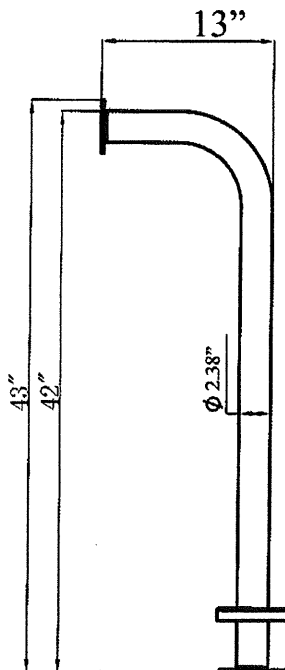
Height	42"
Finish	Black Outdoor Powder Coat
Face Plate	4" x 4", 4-Hole Universal Pattern. 0.25" Metal Plate
Base Plate	5" x 5", 4-Hole Universal Pattern. 0.25" Metal Plate with Cover Plate
Tube	φ 2.38" Outer Diameter. 0.125" wall thickness
Neck	13" Reach (On Vertical Center), 90° Bend Radius
Material	Heavy Gauge Steel
Weight	17.82 lbs.
Box Size	43.8" x 13.7" x 6.3"



Face Plate



Cove Plate

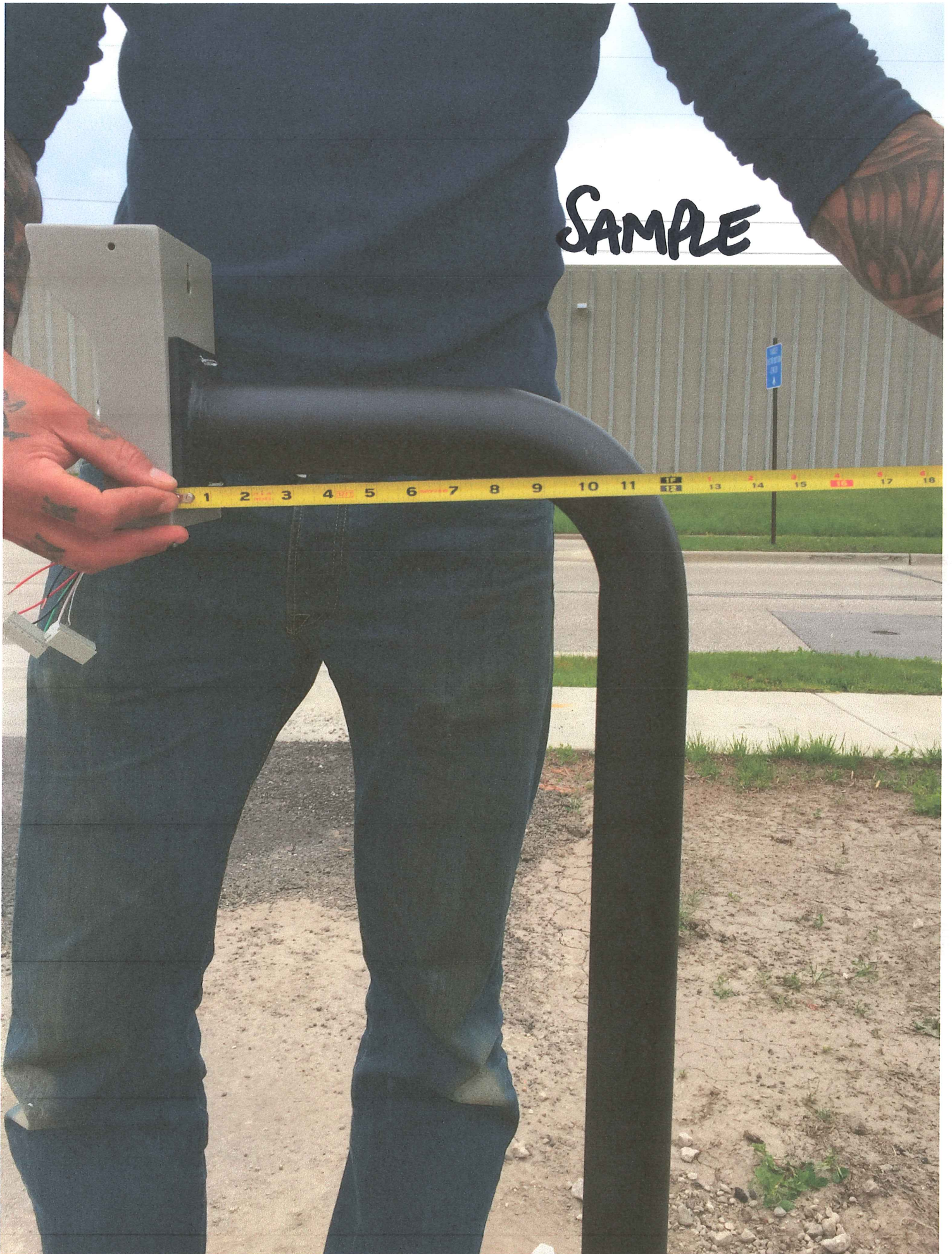


Base Plate

SAMPLE



SAMPLE



SAMPLE



SAMPLE

