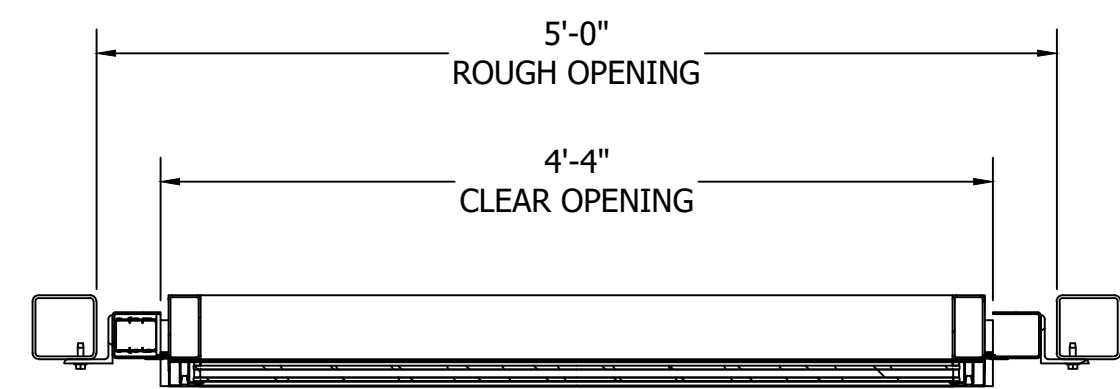


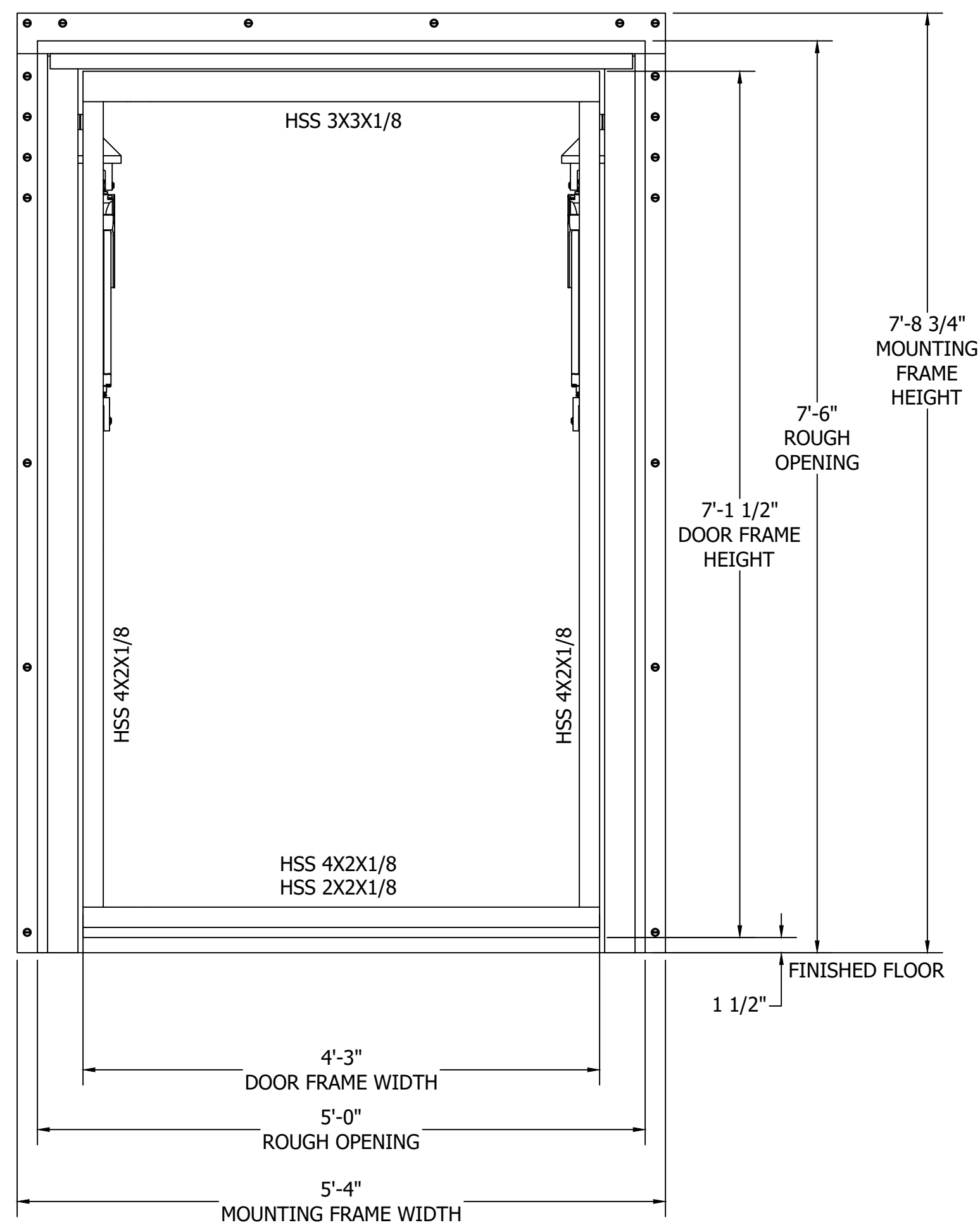
PLAN VIEW ABOVE ACTUATOR

1



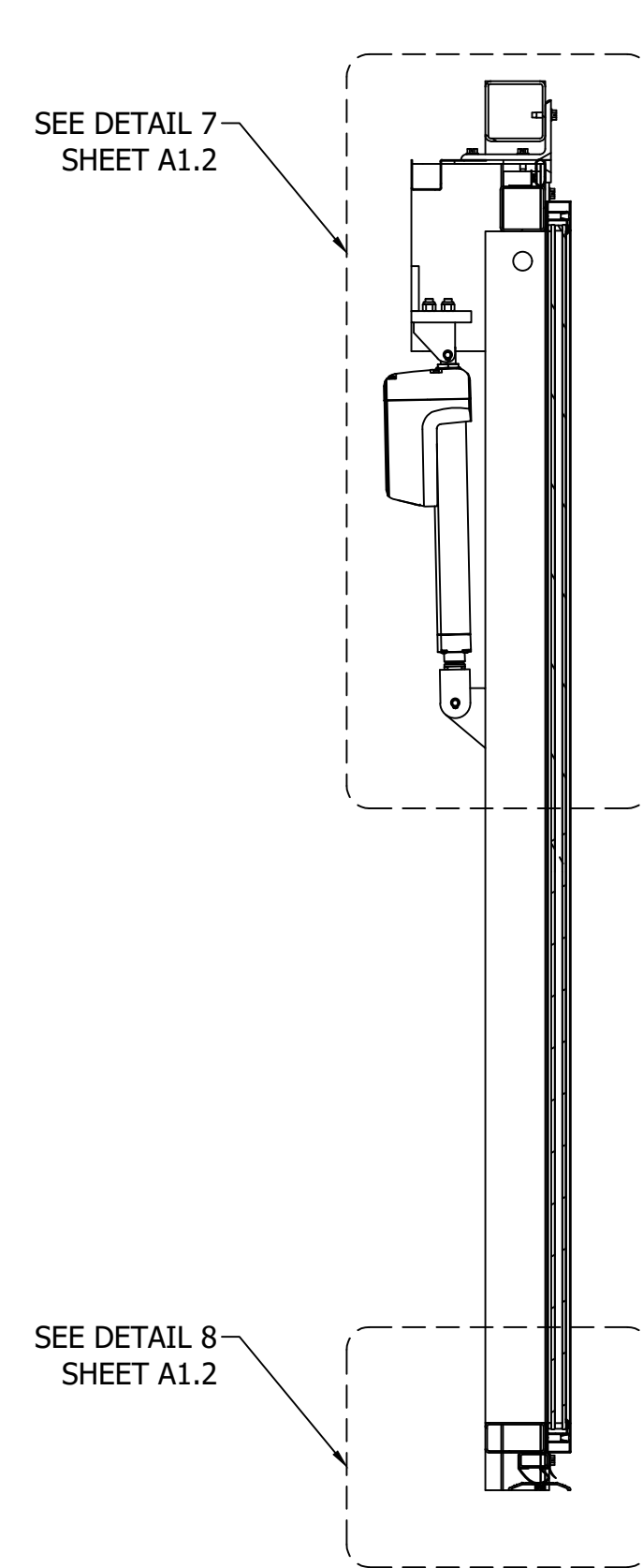
PLAN VIEW BELOW ACTUATOR

2



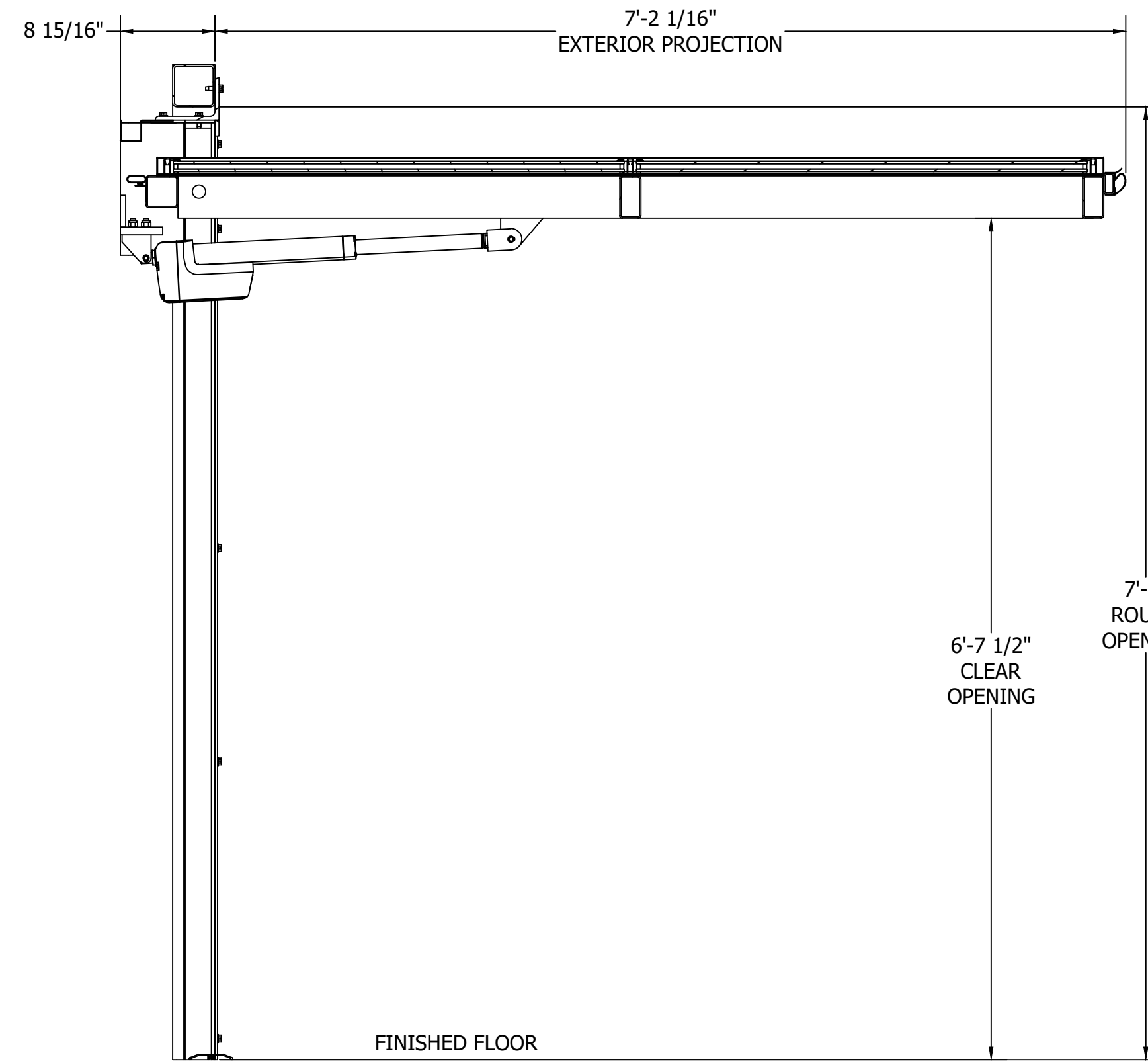
ELEVATION VIEW

3



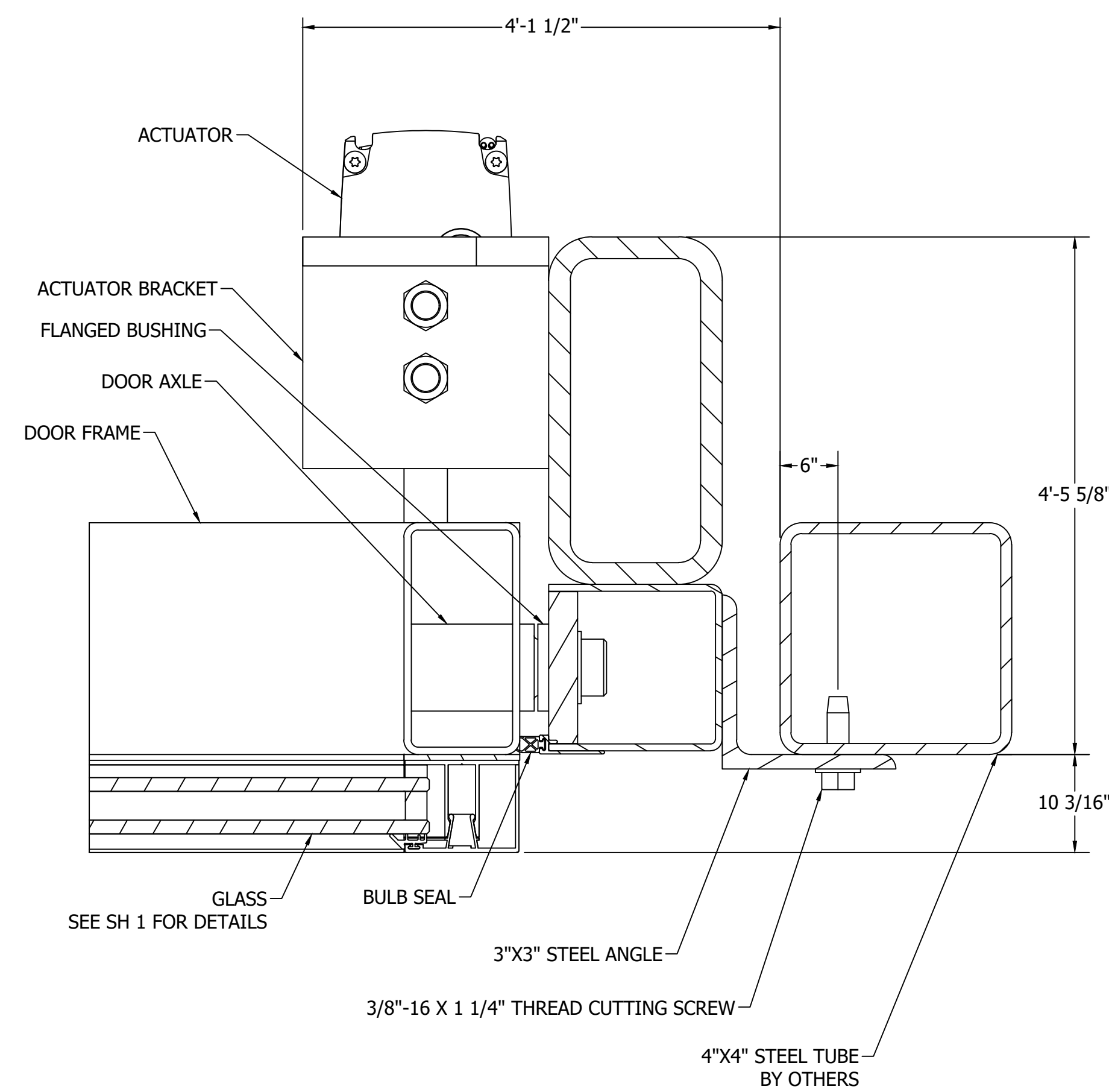
SECTION VIEW CLOSED

4



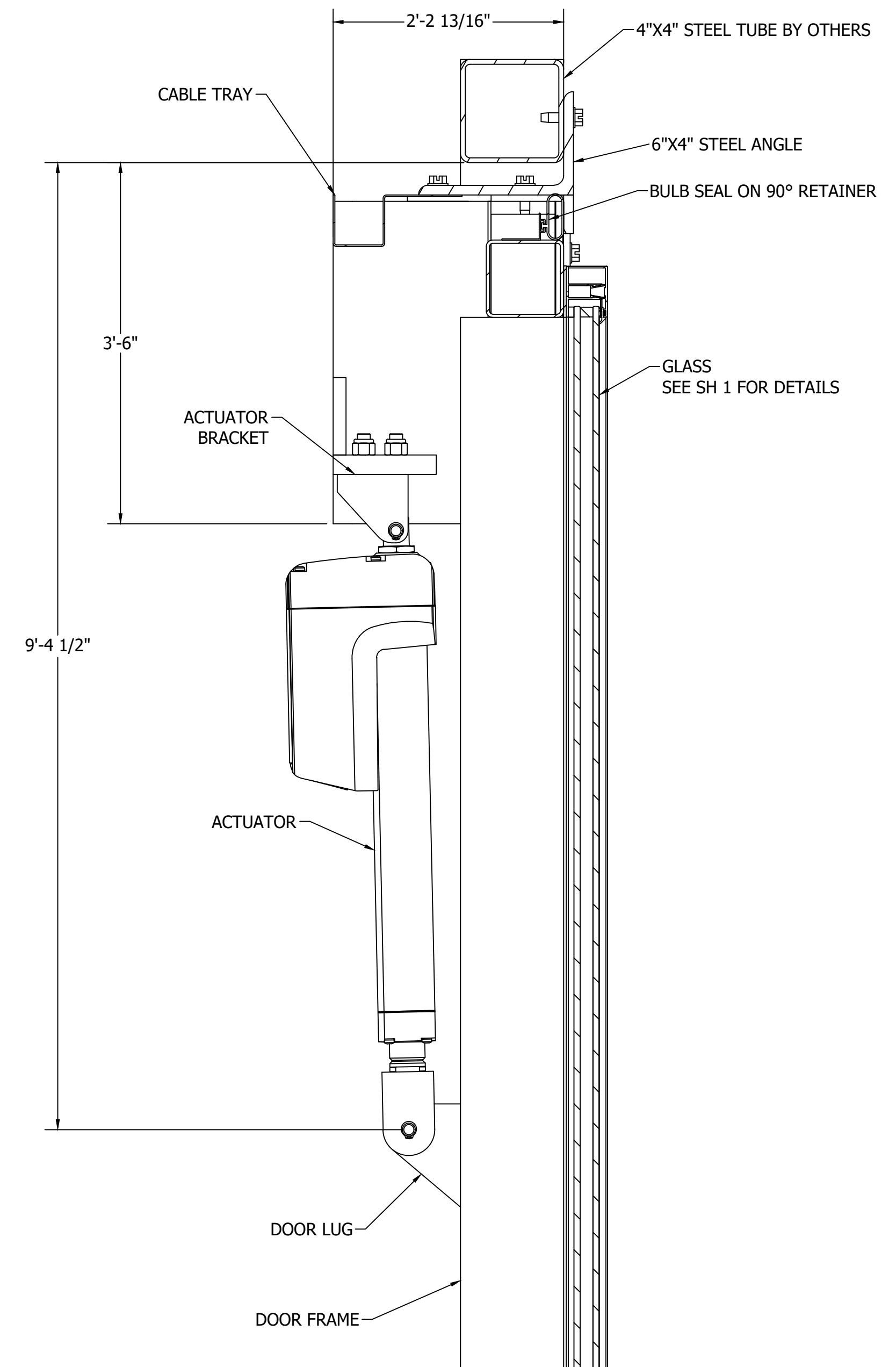
SECTION VIEW OPEN

5



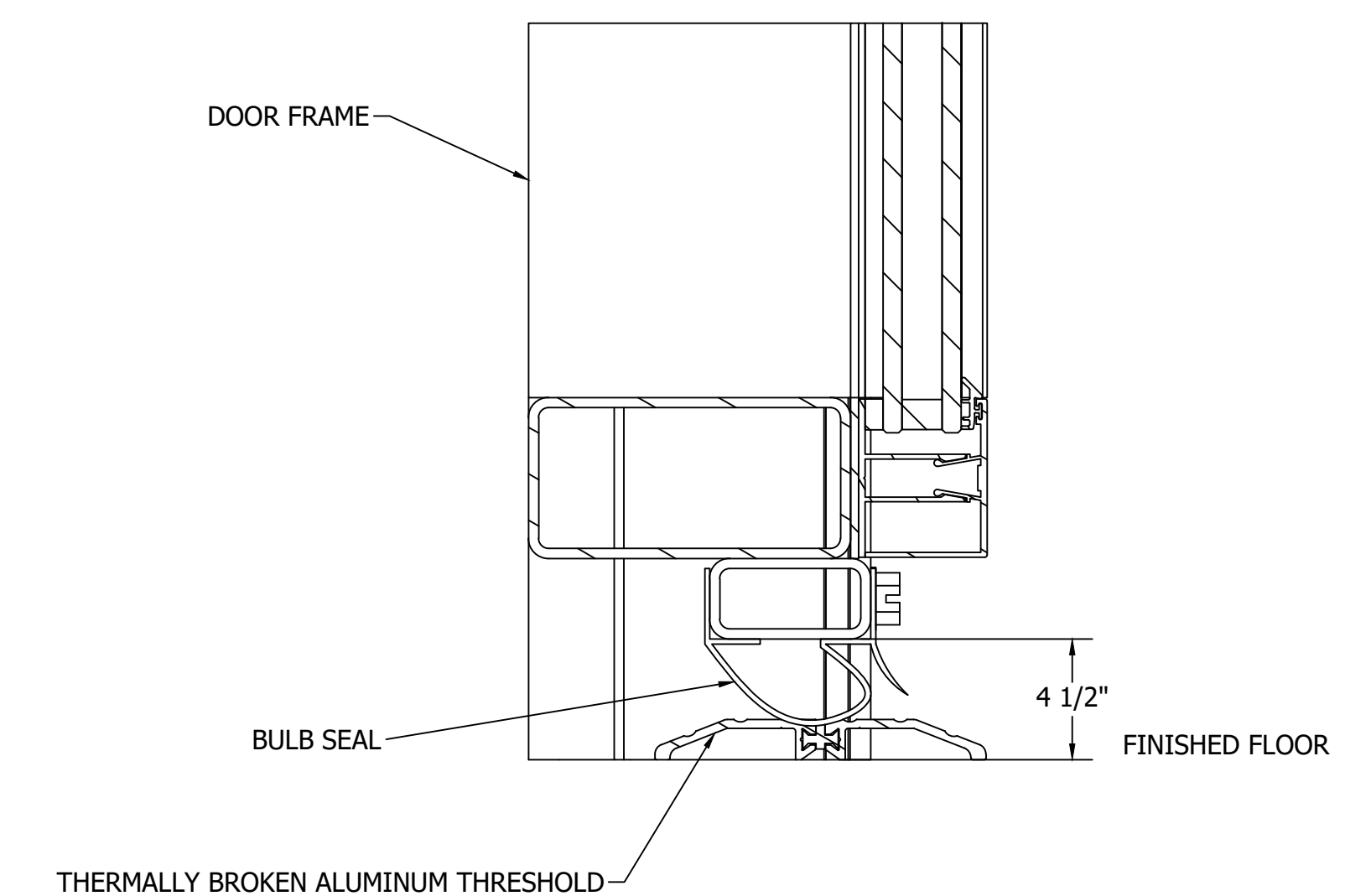
JAMB DETAIL

6



DOOR HEAD

7



DOOR SILL

8



PROJECT NAME
NASHVILLE NORTH

PROJECT ADDRESS
**1216 E. Brady Street
Milwaukee, WI 53202**

REVISIONS

| NO. | DESCRIPTION | DATE |
|-----|-------------|------|
| | | |
| | | |
| | | |
| | | |
| | | |
| | | |
| | | |
| | | |
| | | |
| | | |

KNUTSON BROS.
PROJECT NUMBER
2021-01

DATE
September 15, 2021

COPYRIGHT ©
KNUTSON BROS.

SHEET TITLE

SHEET NUMBER

A1.2