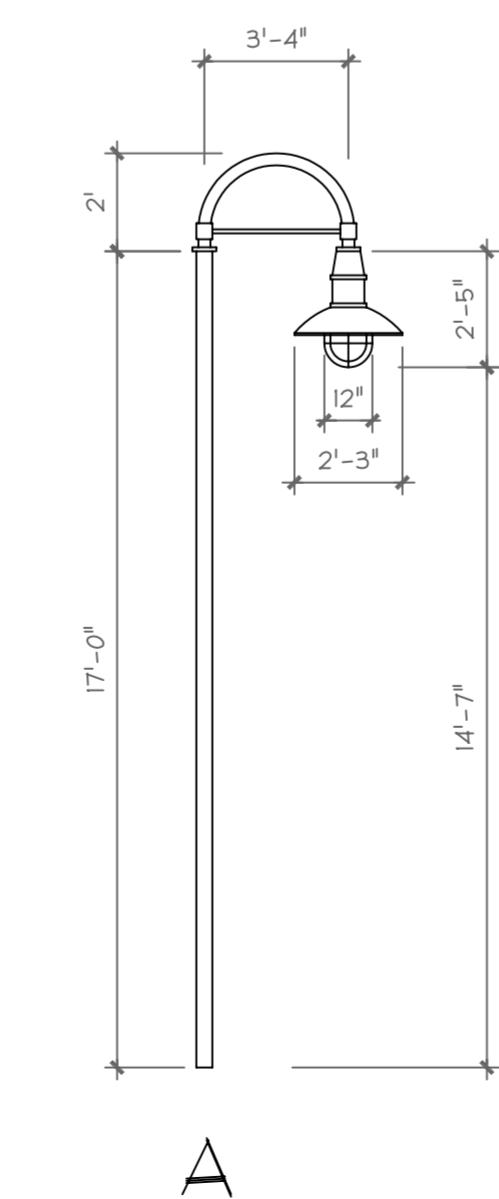


Site Landscaping/Lighting Plan  
Scale 1" = 20'-0"

**Landscape Schedule**

No.	Quantity	Description
(A)	6	Snow Crab - 2" dia
(B)	6	Sparkler Crab - 2" dia
(C)	15	Green Giant Arbor Vitae - 5'
(D)	2	Black Hills Spruce
(E)	2	Autumn Blaze Maple
(F)	2	Krimson King Maple
(G)	15	Red Twig Dogwood
(H)	36	Spirea

**Lighting Schedule**



- A  
Free Standing Pole, Goose Neck, Industrial Shade
- B  
Wall Mount Goose Neck, 12" Industrial Shade
- C  
Ceiling Mount Pendant, 16" Industrial Shade
- D  
Ceiling/Soffit Mount 12" Industrial Shade
- E  
Wall Mount Wall Pack, Semi Cut-Off
- F  
Wall Mount Wall Pack, Full Cut-Off
- G  
Ground Mount Up-Light Can

414-529-8352

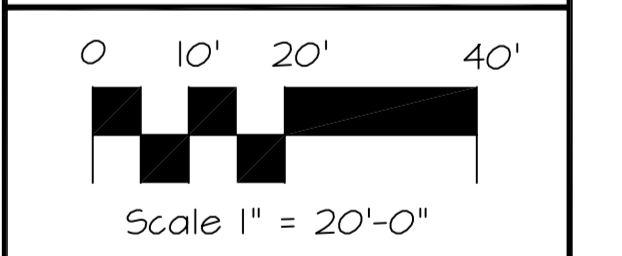
**SUNSET INVESTORS**

REAL ESTATE / DEVELOPMENT / CONSTRUCTION

10700 West Venture Drive - Suite G  
Franklin, WI

**CREAM CITY BRICK YARDS**  
Rehab/Conversion 2025

1357-1439 W. St Paul Avenue  
Milwaukee, Wisconsin



Sheet Title  
**Site Landscape Lighting**

Revisions

Date:	February 10, 2026
Job NO.:	-
Drawn By:	-
Sheet No.	C102