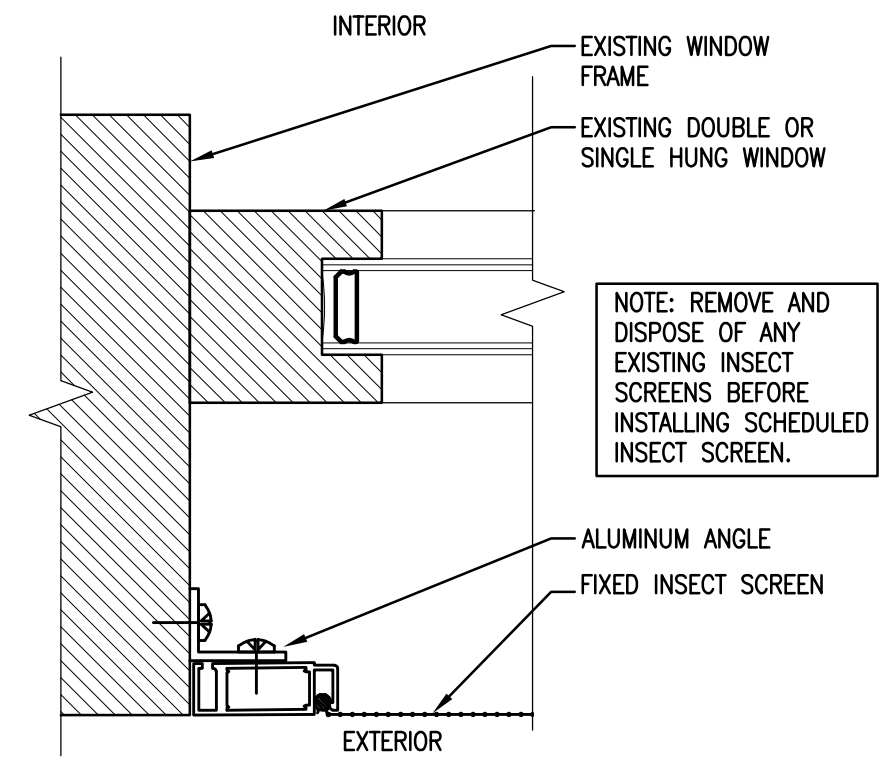


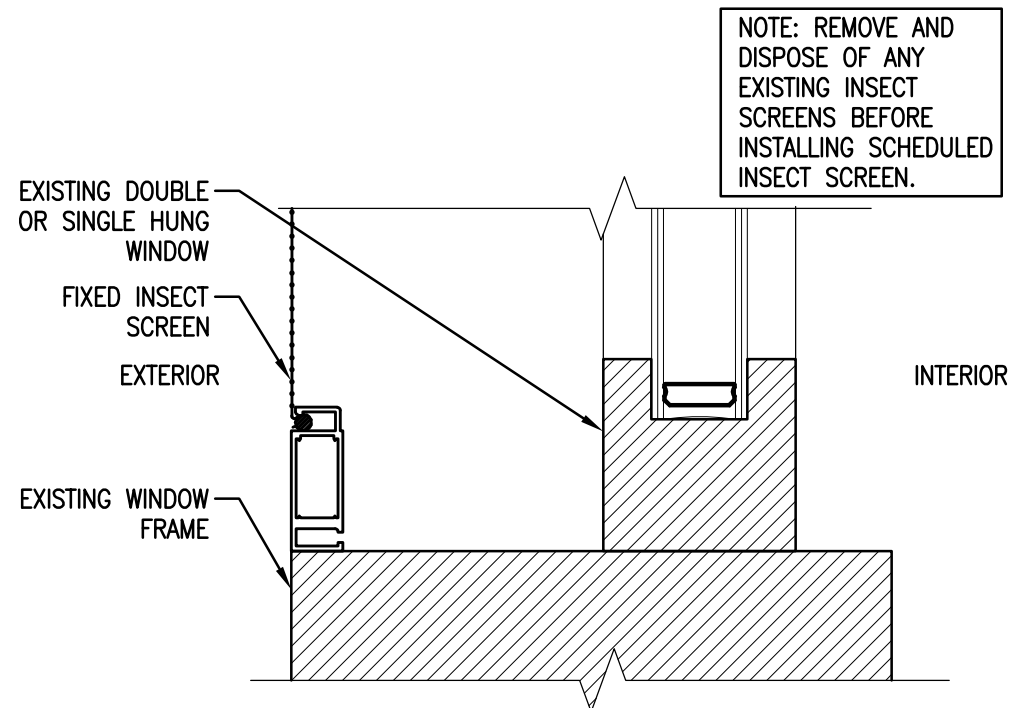
INSECT SCREEN - HEAD DETAIL (DOUBLE & SINGLE-HUNG)

SCALE: 6" = 1'-0"



INSECT SCREEN - JAMB DETAIL (DOUBLE & SINGLE-HUNG)

SCALE: 6" = 1'-0"



INSECT SCREEN - SILL DETAIL (DOUBLE & SINGLE-HUNG)

SCALE: 6" = 1'-0"

Dec 13, 2022 - 11:00am
 Q:\21 Projects\21026-00 MPS ESSER II\CDs\Base Dwgs\0-DETAILS-21026-00.dwg

Office of Operations
 Department of Facilities and
 Maintenance Services
 Sean Kane - Director
 1124 N. 11th Street, Milwaukee, WI 53233
 (414) 263-4600 mps.milwaukee.k12.wi.us



Quorum Architects, Inc.
 Quorum Project
 Number: 21026.00

Title: INSECT SCREEN TYPICAL DETAILS	
Project Title: HPC SUBMISSION	
Project Location: MILWAUKEE, WI	
Approved By: ARCHITECT/ENGINEER OF RECORD	
MPS Project Phase:	
REVISIONS	BY
Drawn by:	BI
Checked by:	JPB
Date:	12-14-22
Scale:	As Noted
Site Number:	
Project No.:	
Sheet Number:	

A4.1d