



LIVING WITH HISTORY

Certificate of Appropriateness

Milwaukee Historic Preservation Commission/200 E. Wells Street/Milwaukee, WI 53202/phone 414-286-5712/fax 414-286-3004

Property

602 N. BROADWAY East Side Commercial

Description of work

The "kinn" copy will be Non-illuminated Aluminum dimensional letters that will be installed on top of the Hood. The "k" will be 3'-3" Tall with "inn" 2'-4" Tall. The overall Width of "kinn" is 104". The letters are 4" deep. The top "kinn" portion of the sign will be externally illuminated by a LED light bar installed on the front, top edge of the "hood". The "GUESTHOUSE MKE" copy will be Acrylic Flat Cut Out, stud mounted letters that are flush mounted on the front of the "hood", and will 8" Tall by 135" Wide. The "GUESTHOUSE MKE" portion of the sign will not have external illumination. All exposed surfaces will be painted Gold.

Date issued

4/21/2021

PTS ID 115119 COA: MARQUEE SIGN

In accordance with the provisions of Section 320-21 (11) and (12) of the Milwaukee Code of Ordinances, the Milwaukee Historic Preservation Commission has issued a certificate of appropriateness for the work listed above. The work was found to be consistent with preservation guidelines. The following conditions apply to this certificate of appropriateness: N/A

All work must be done in a craftsman-like manner, and must be completed within one year of the date this certificate was issued. Staff must approve any changes or additions to this certificate before work begins. Work that is not completed in accordance with this certificate may be subject to correction orders or citations. If you require technical assistance, please contact hpc@milwaukee.gov.

If permits are required, you are responsible for obtaining them from the Milwaukee Development Center. If you have questions about permit requirements, please consult the Development Center's web site, www.milwaukee.gov/build, or call (414) 286-8210.

City of Milwaukee Historic Preservation Staff

Copies to: Development Center, Ald. Robert Bauman, Contractor, Inspector John Cunningham (286-2538)



Proposed Sign Location

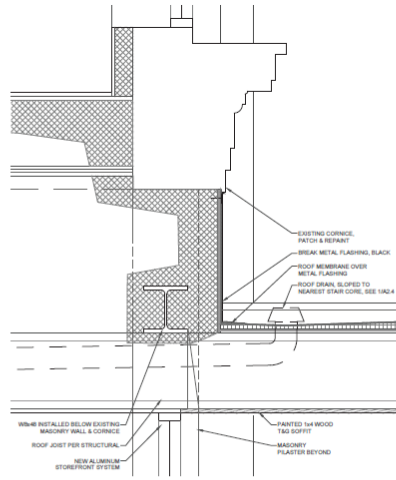
PROPOSED



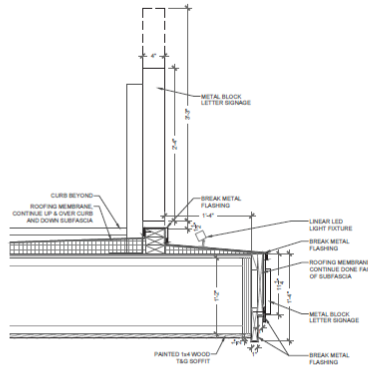
EXISTING CONDITION



SIMULATED NIGHT VIEW



5 SECTION DETAIL
SCALE: 1/2" = 1'-0"



4 SECTION DETAIL
SCALE: 1/2" = 1'-0"

