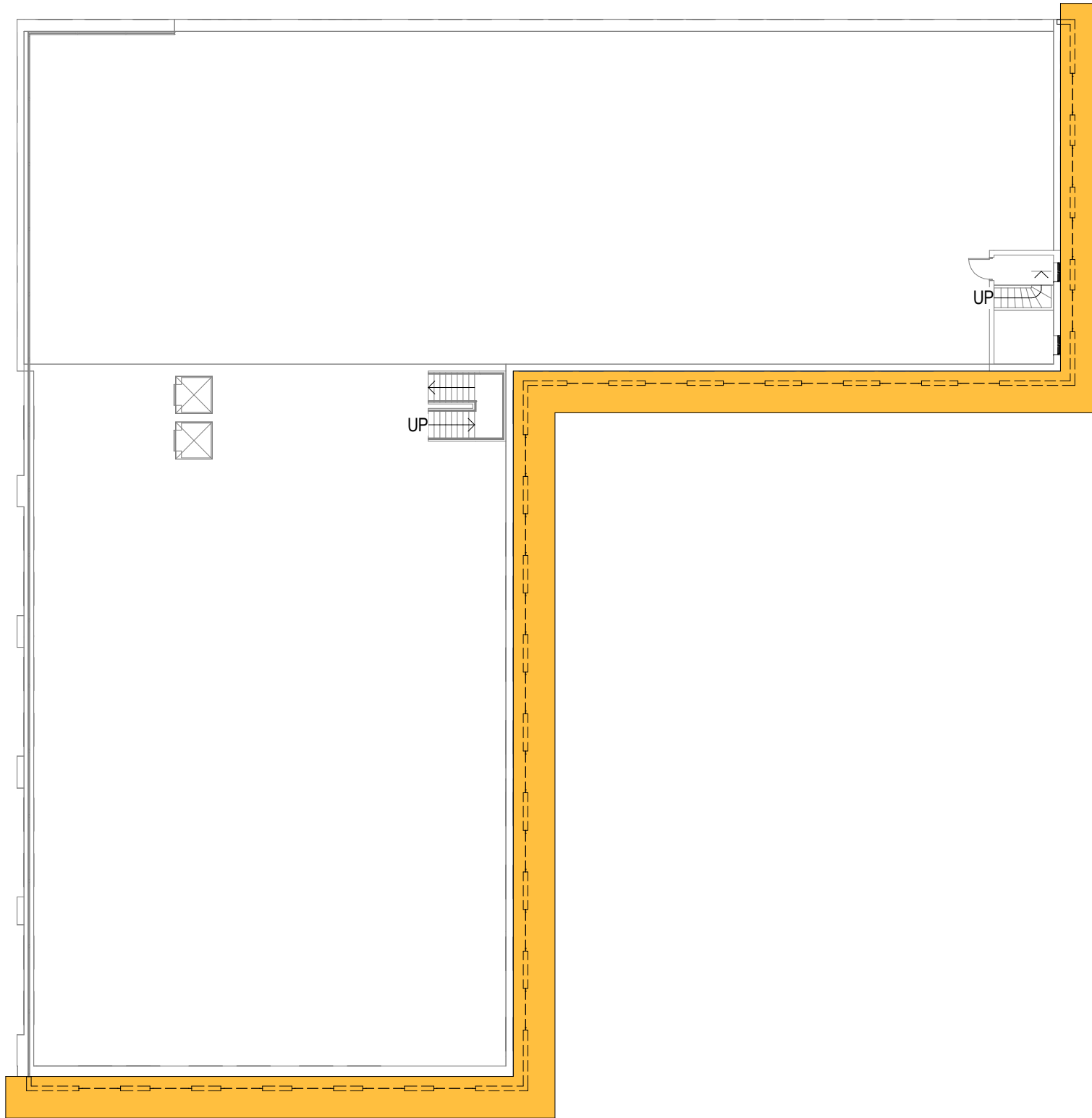
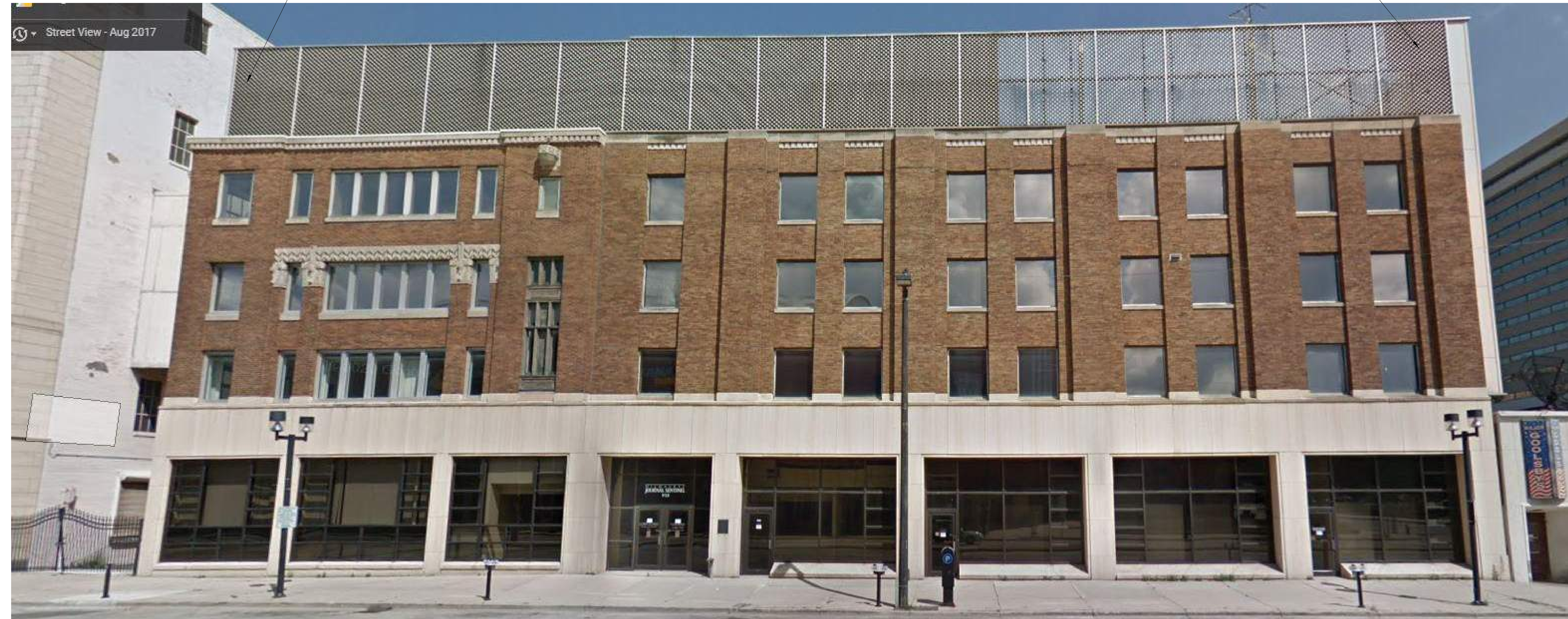


SCREEN TO REMAIN ALONG WEST ELEVATION



SCREEN DEMOLITION PLAN
1" = 20'-0"

REMOVE AND REPLACE ALL WINDOWS
SHADED REGION INDICATES AREA
FOR SCREEN REMOVAL



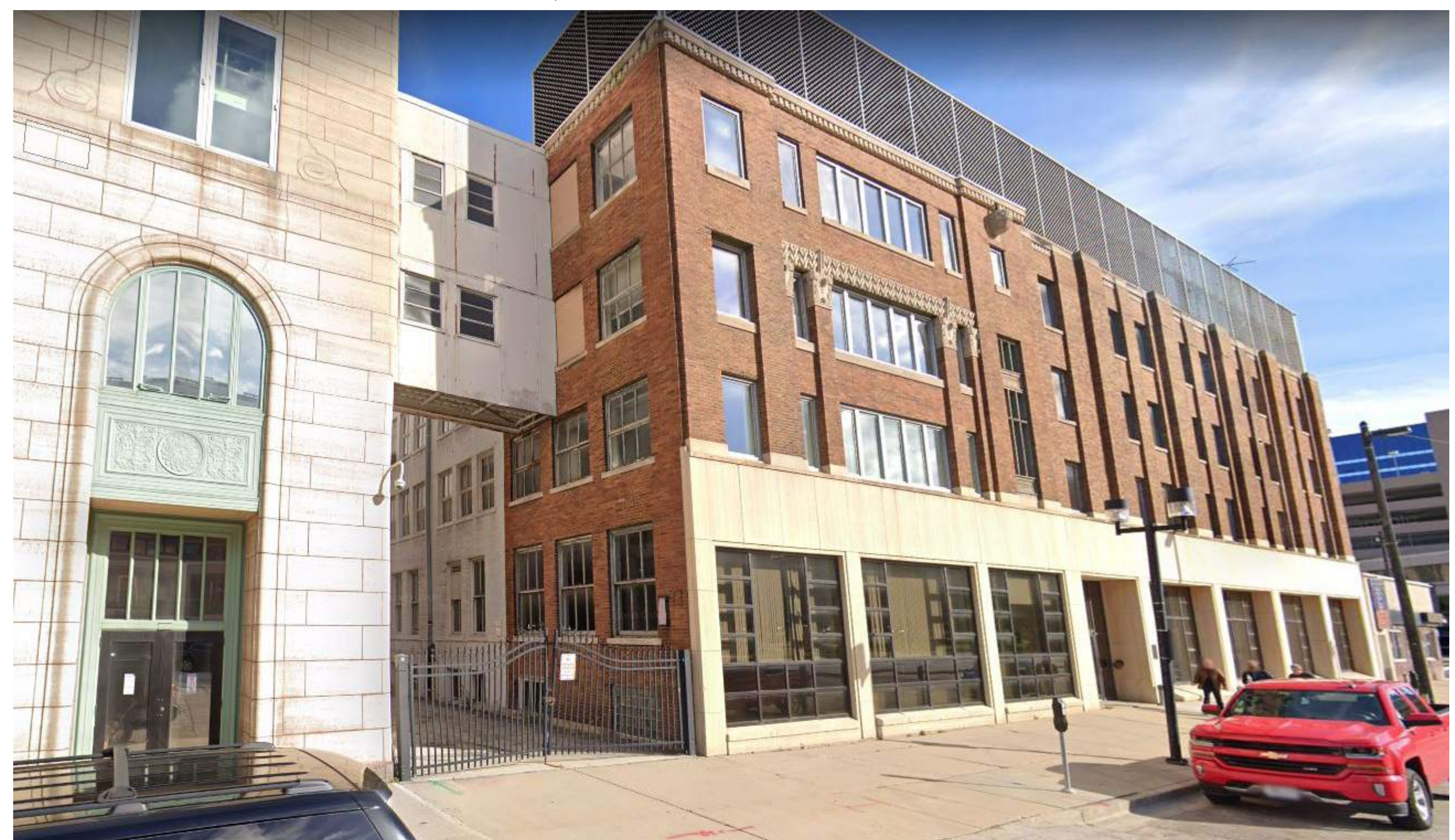
CURRENT WEST ELEVATION

REMOVE METAL SCREEN ALONG
SOUTH AND EAST ELEVATIONS,
SEE PLAN ABOVE



CURRENT SOUTH AERIAL

NORTH SCREEN TO REMAIN



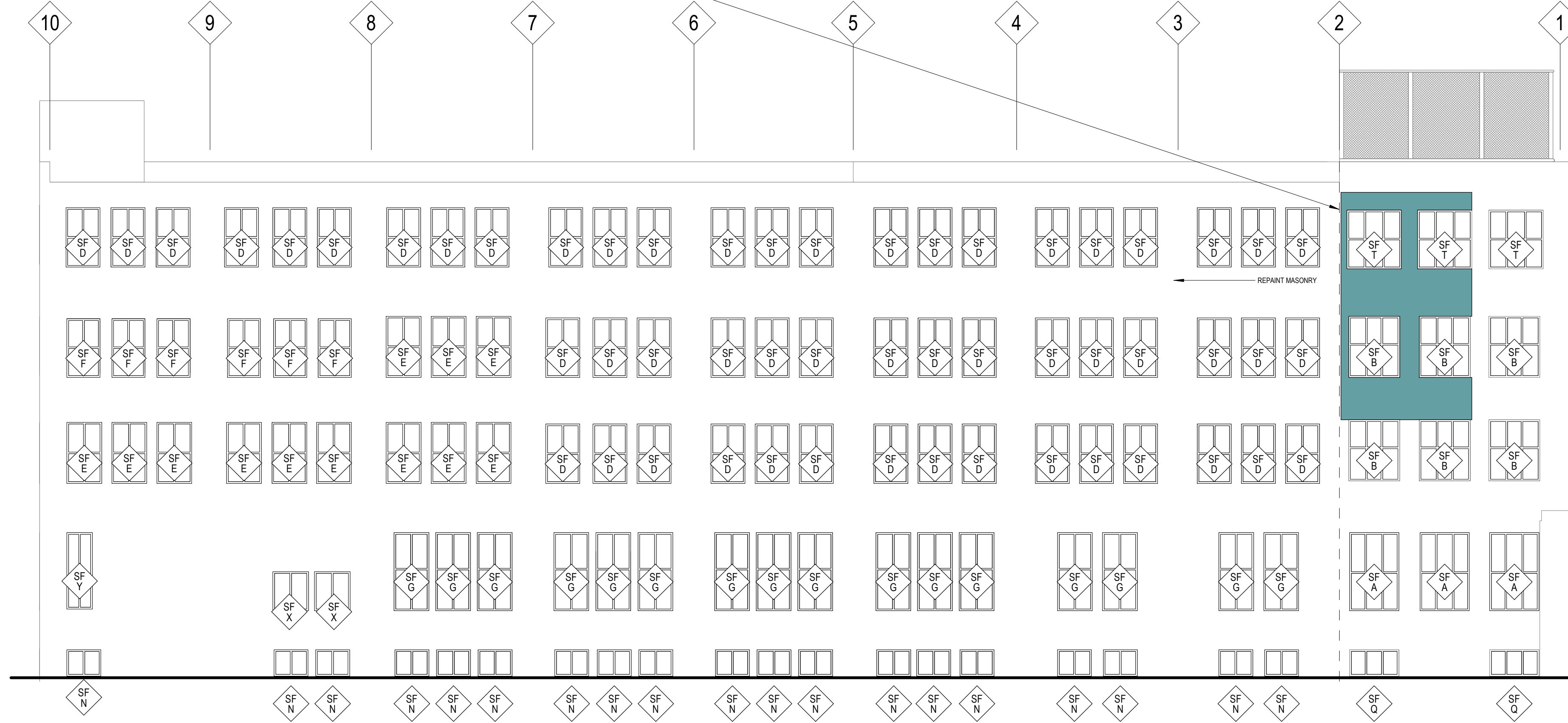
CURRENT NORTH WEST STREET VIEW



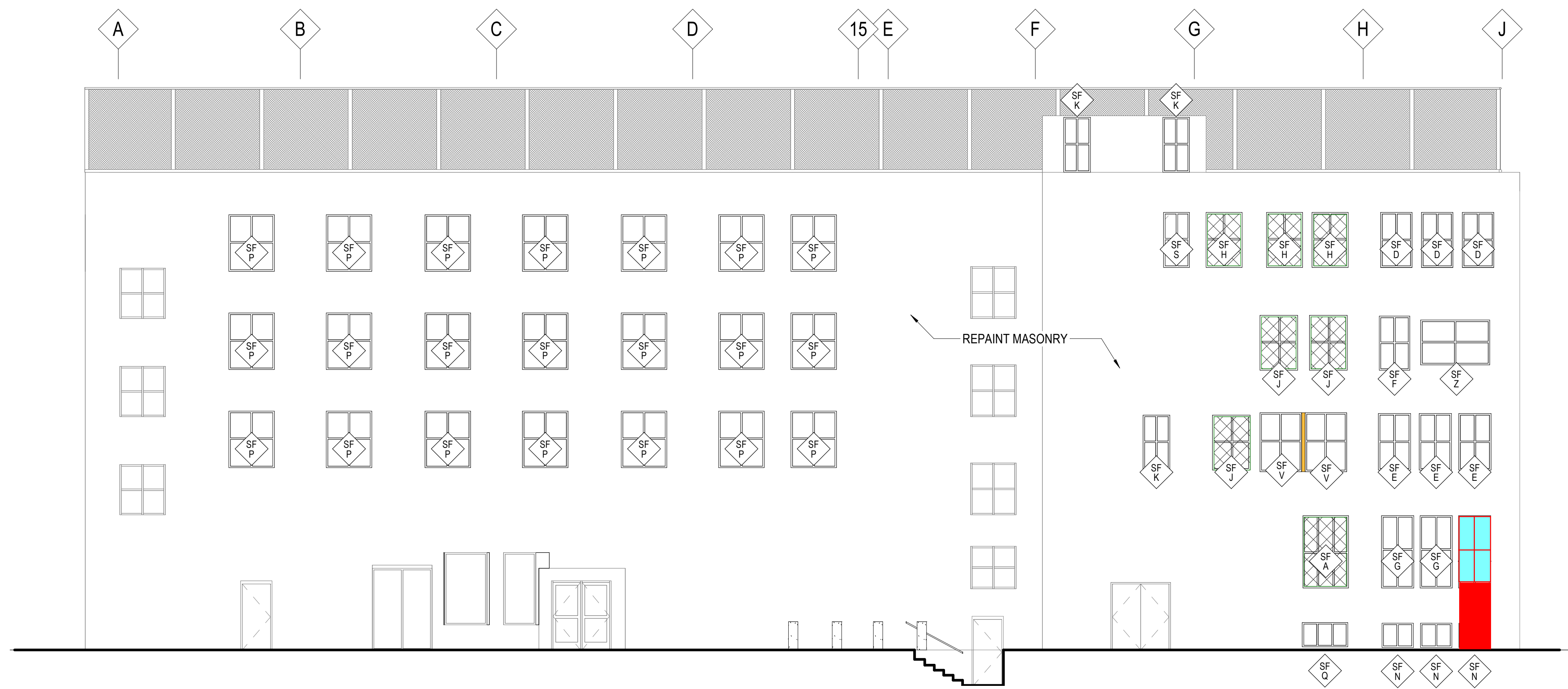
BRICK REPLACEMENT

REPAINT EXISTING BRICK ALONG NORTH, EAST, AND SOUTH ELEVATIONS
 COLOR SELECTED:
 SHERWIN WILLIAMS SW 7038, TONY TAUPE

REMOVE FILLED IN NON-MATCHING MASONRY AND INFILL OPENING CONSTRUCTION TO MATCH ADJACENT MATERIALS AND ASSEMBLY



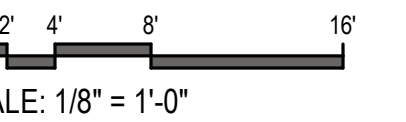
NORTH ELEVATION



EAST ELEVATION

KEY

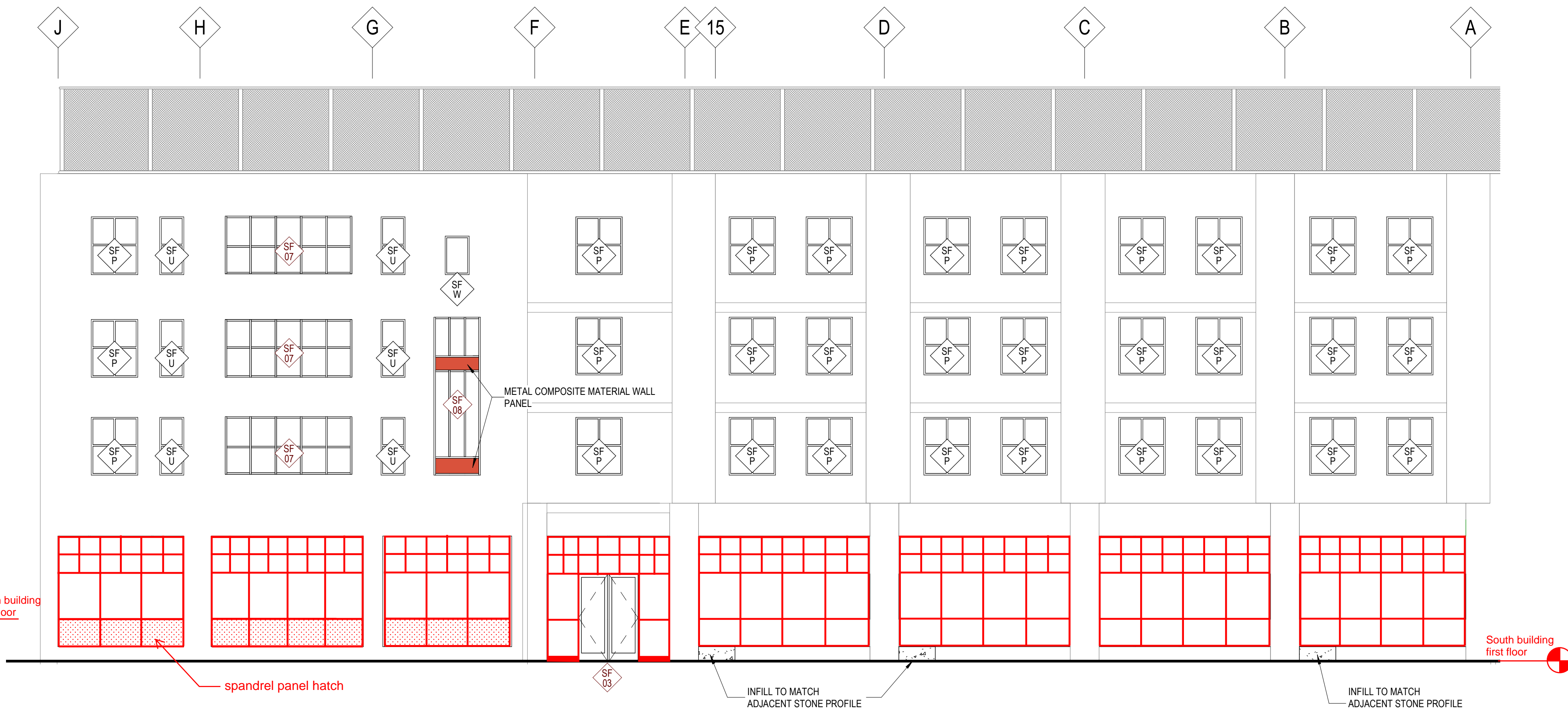
- INFILL OPENING CONSTRUCTION TO MATCH ADJACENT MATERIALS AND ASSEMBLY
- METAL COMPOSITE WALL PANEL, FLAT PROFILE
- ALUMINUM TRIM TO MATCH WINDOW FRAME COLOR
- GLASS TO BE FROST FOR TLT ROOMS
- SPANDREL PANEL



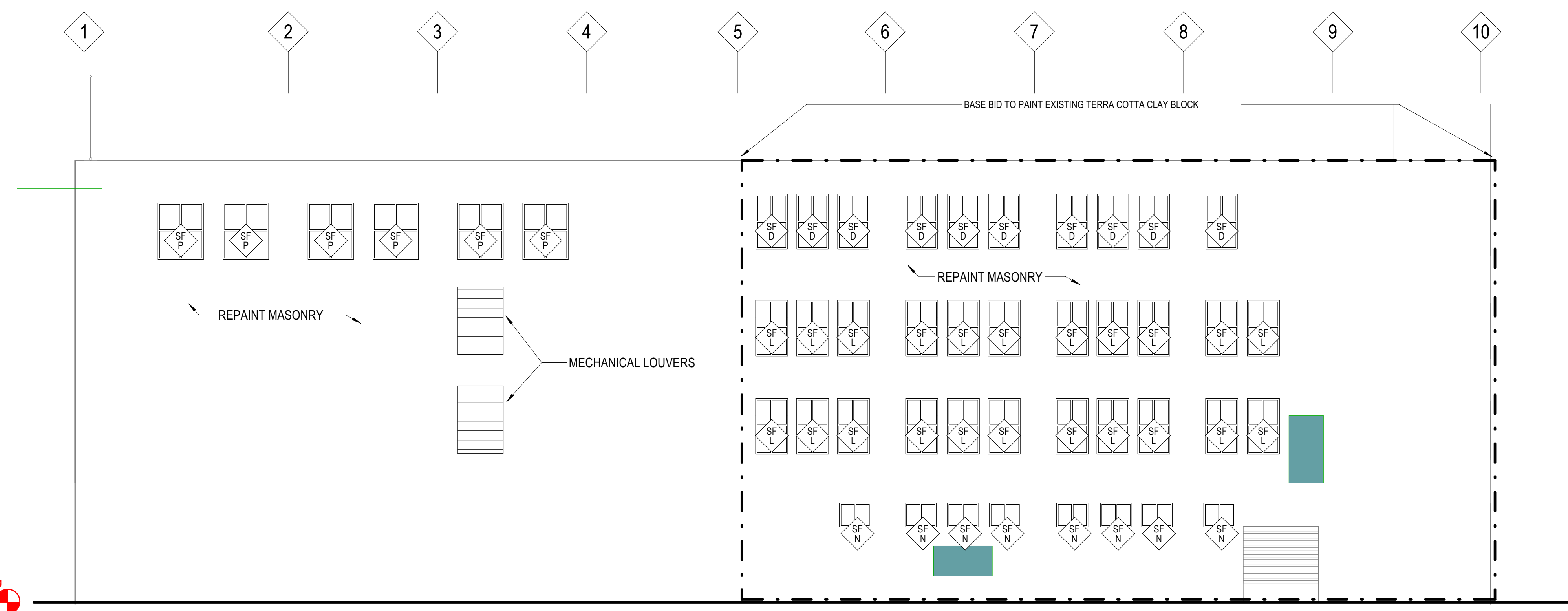
EXTERIOR ELEVATIONS

KEY

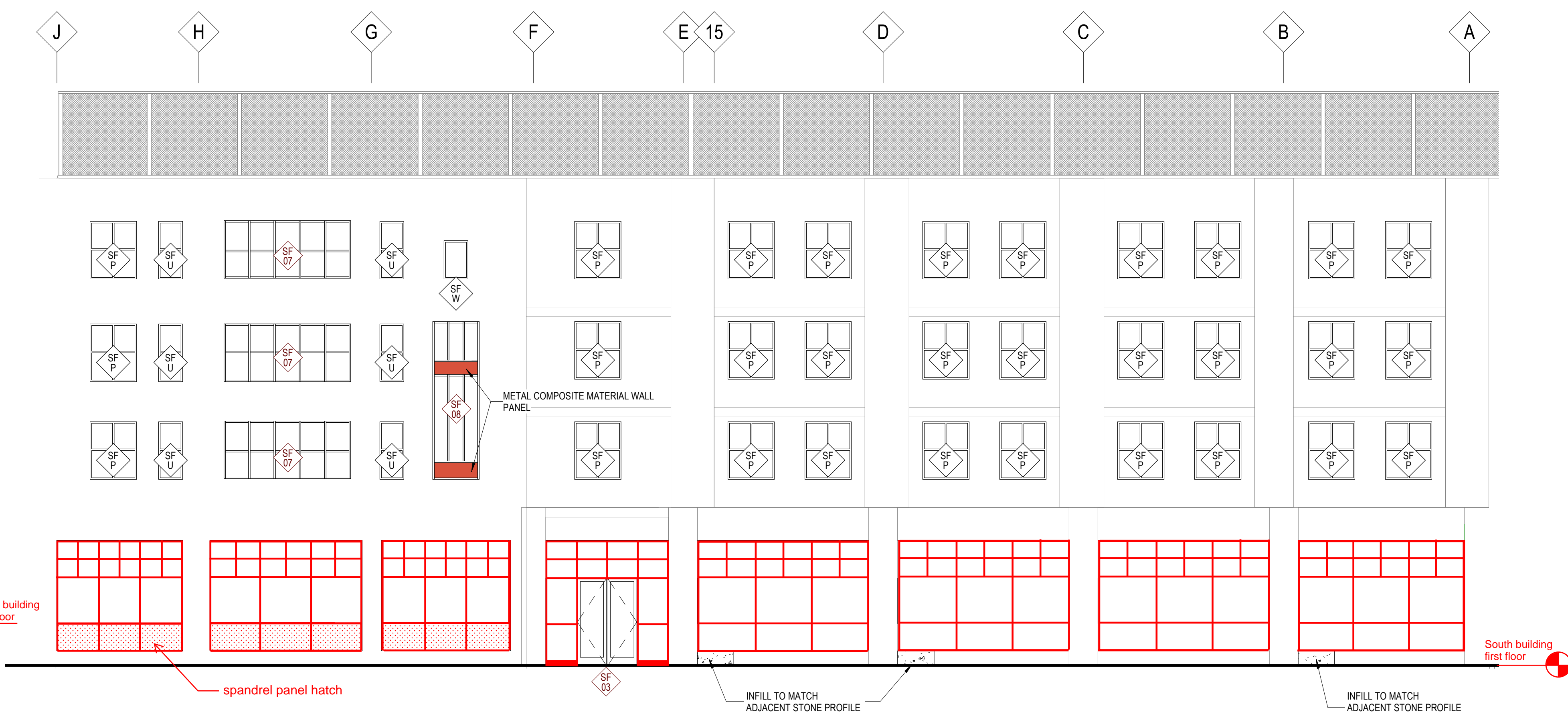
- INFILL OPENING CONSTRUCTION TO MATCH ADJACENT MATERIALS AND ASSEMBLY
- METAL COMPOSITE WALL PANEL, FLAT PROFILE
- ALUMINUM TRIM TO MATCH WINDOW FRAME COLOR
- GLASS TO BE FROST FOR TL1 ROOMS
- SPANDREL PANEL



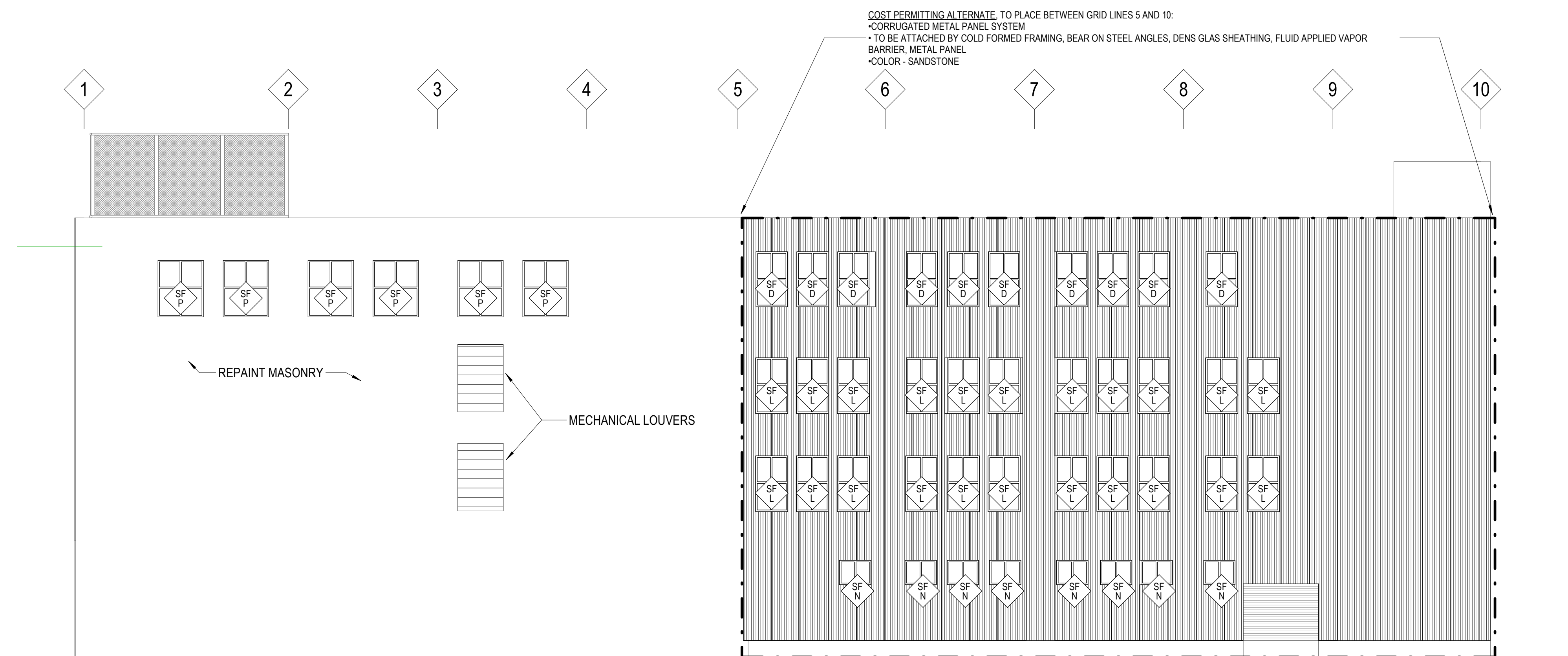
WEST ELEVATION OPTION A



SOUTH ELEVATION



WEST ELEVATION OPTION B



SOUTH ELEVATION - ALTERNATE

0 2 4 8 16
SCALE: 1/8" = 1'-0"

EXTERIOR ELEVATIONS






WINDOW FRAME NOTES

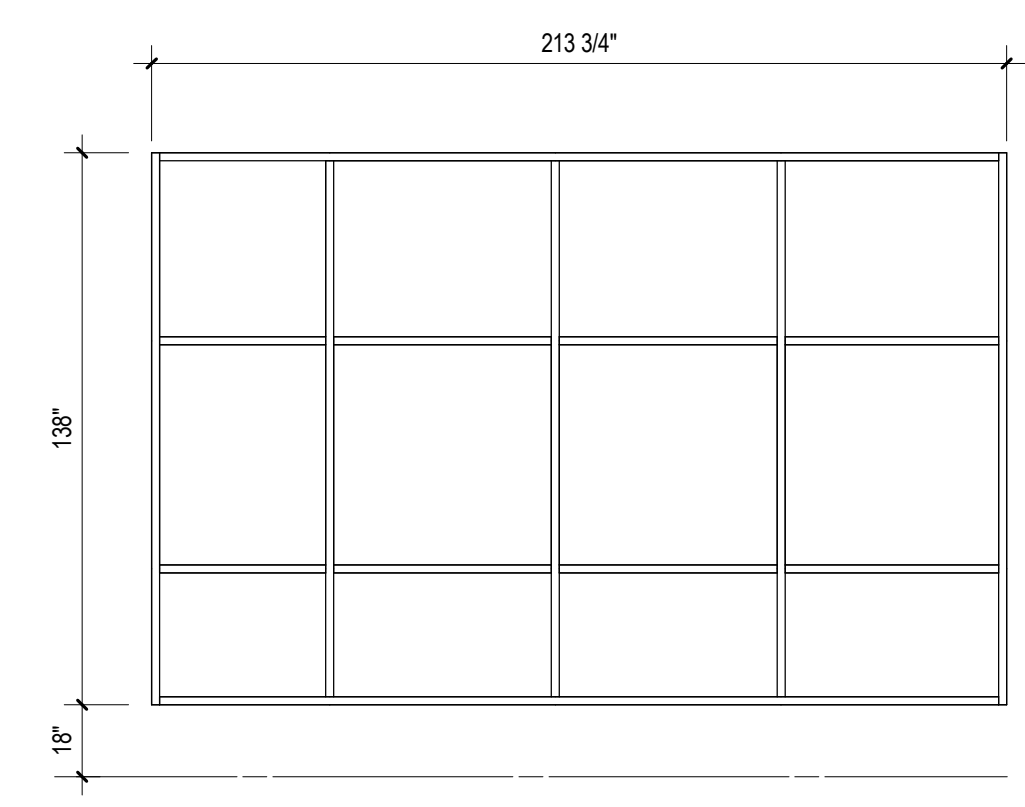
1. GENERAL NOTES
 1A. ALL OPENING DIMENSIONS TO BE FIELD VERIFIED, DIMENSIONS ARE SHOWN FOR INFORMATION ONLY AND MUST BE CONFIRMED PRIOR TO WINDOW FABRICATION.
 1B. PROVIDE NEW ROLLER SHADES AT EACH WINDOW.
 1C. DOUBLE HUNG WINDOW BASIS OF DESIGN, QUAKER H650
 1D. STOREFRONT SYSTEM BASIS OF DESIGN, KAWNEER 451T

2. FRAME NOTES
 2A. DARK BRONZE COLOR FOR ALL NEW EXTERIOR FRAMES
 2B. ALL FRAMES TO BE EXTERIOR ALUMINUM STOREFRONT WINDOW SYSTEM WITH 2" X 4 1/2" MILLION PROFILE UNLESS NOTED OR DIMENSIONED OTHERWISE.

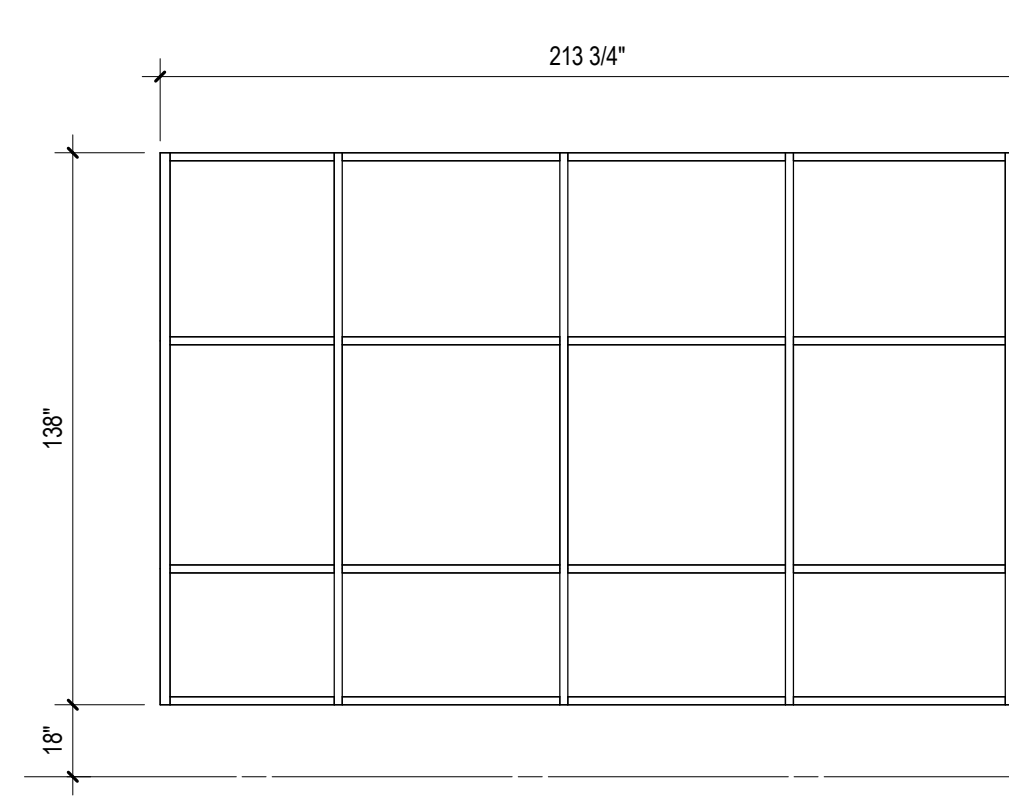
3. GLAZING NOTES
 3A. ALL GLAZING IN EXTERIOR FRAMES TO BE IG-2T UNLESS NOTED OTHERWISE.
 3B. ALL GLAZING IN INTERIOR FRAMES TO BE S-1T UNLESS NOTED OTHERWISE.
 3C. WINDOWS IN RESTROOMS TO HAVE GLASS TYPE IG-41T.

KEY

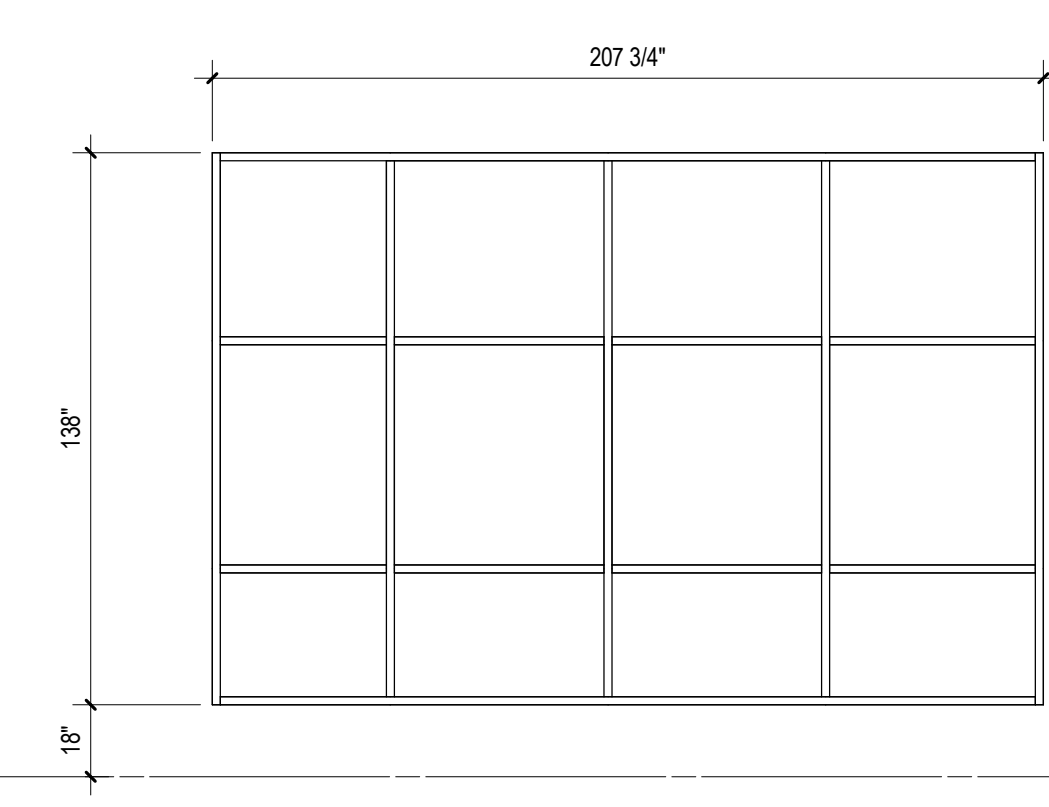
-  INFILL OPENING CONSTRUCTION TO MATCH ADJACENT MATERIALS AND ASSEMBLY
-  METAL COMPOSITE WALL PANEL, FLAT PROFILE
-  ALUMINUM TRIM TO MATCH WINDOW FRAME COLOR
-  GLASS TO BE FROST FOR TL1 ROOMS
-  SPANDREL PANEL



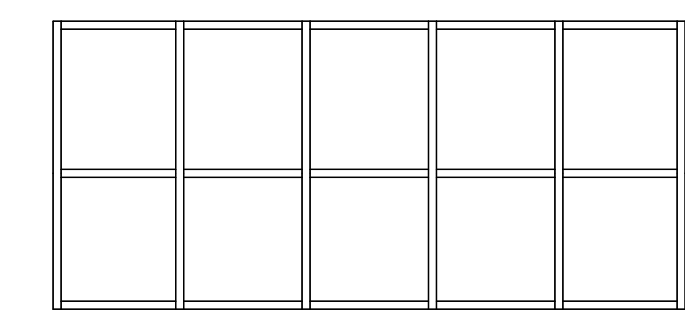
STOREFRONT - 04



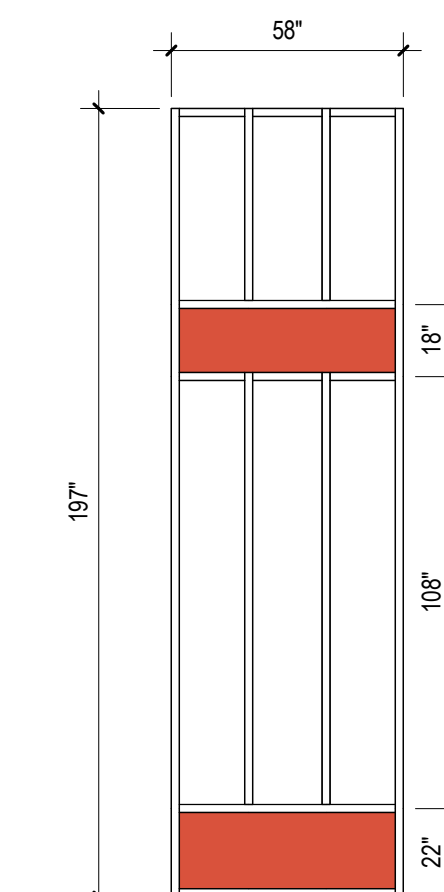
STOREFRONT - 05



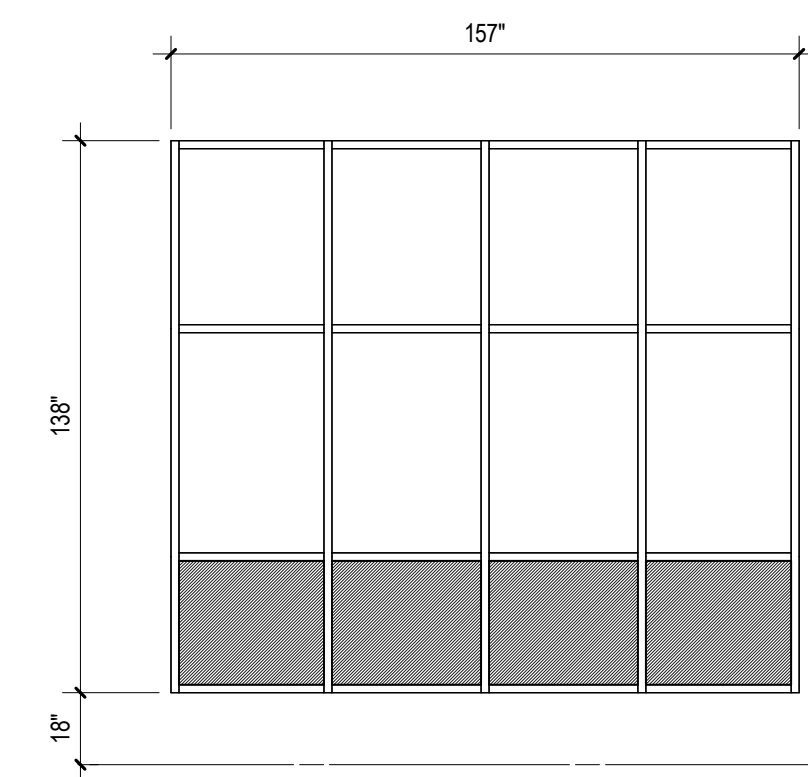
HPC STOREFRONT - 06



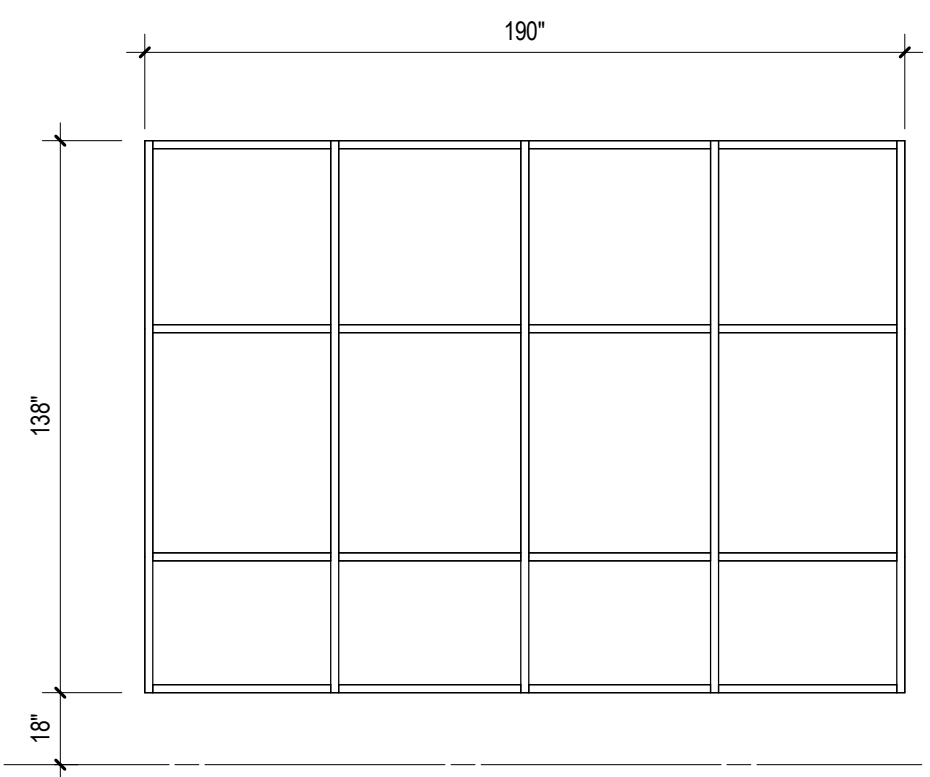
STOREFRONT - 07



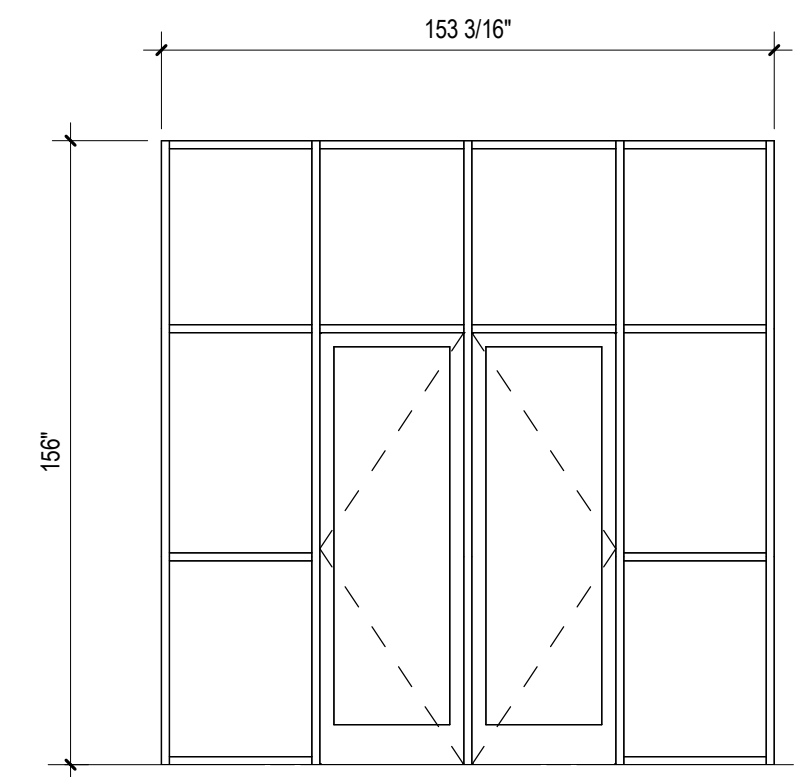
STOREFRONT - 08



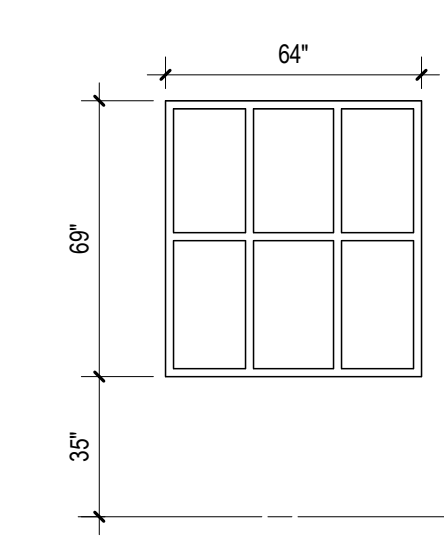
STOREFRONT - 01



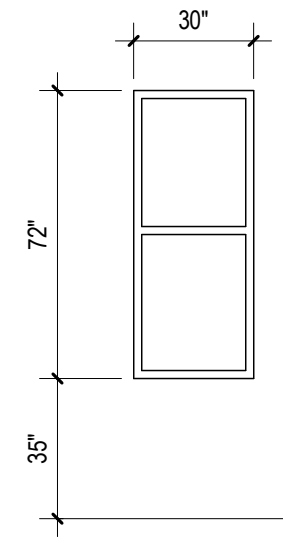
STOREFRONT - 02



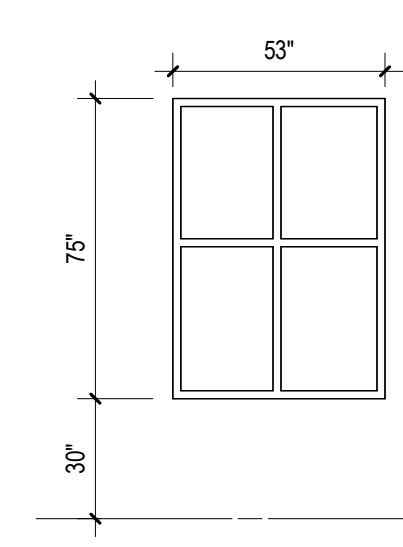
STOREFRONT - 03



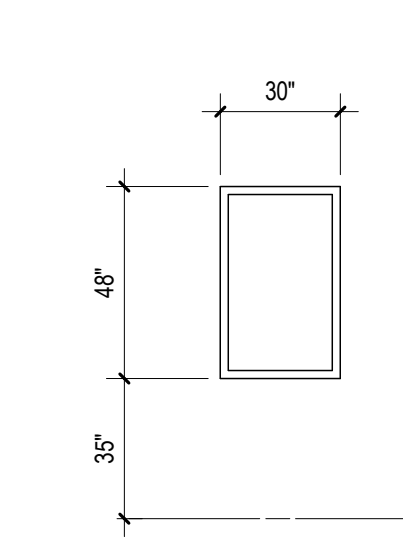
TYPE T



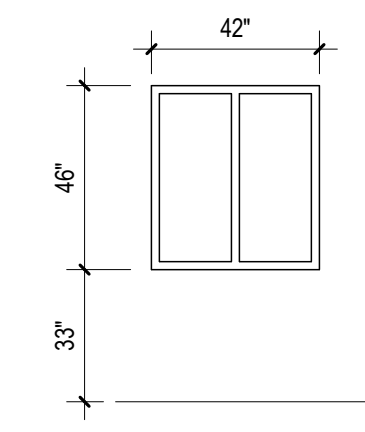
TYPE U



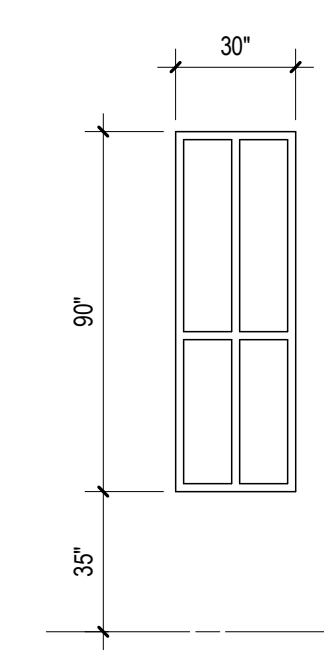
TYPE V



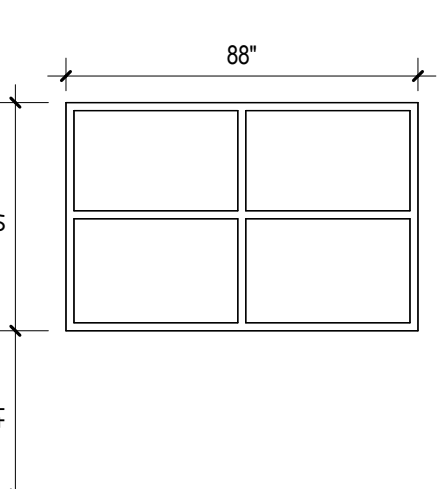
TYPE W



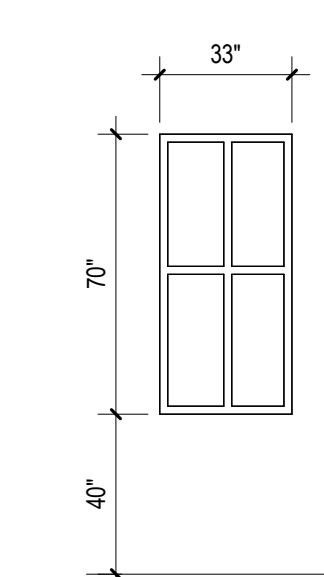
TYPE X



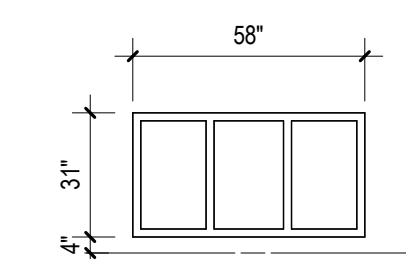
TYPE Y



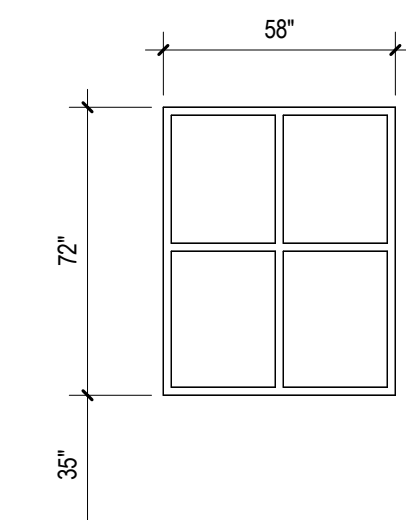
TYPE Z



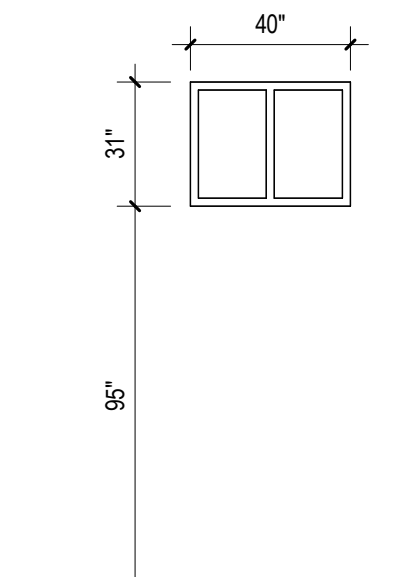
TYPE S



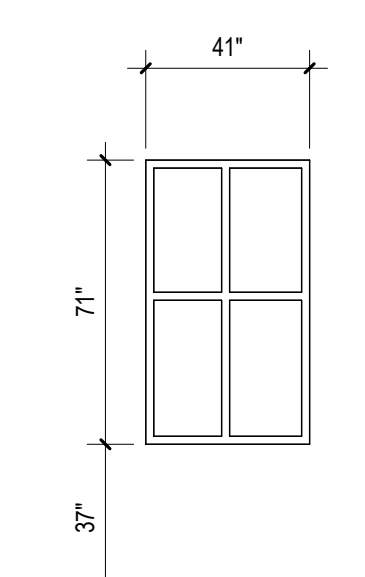
TYPE Q



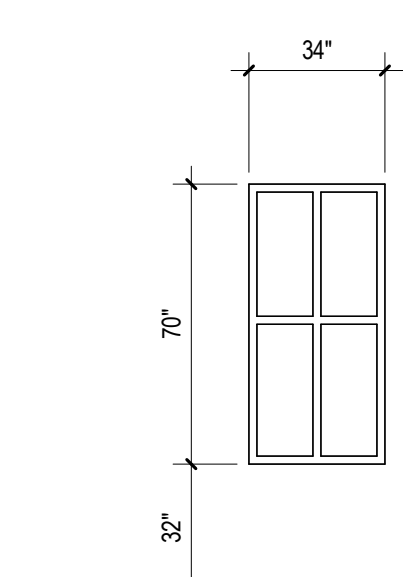
TYPE P



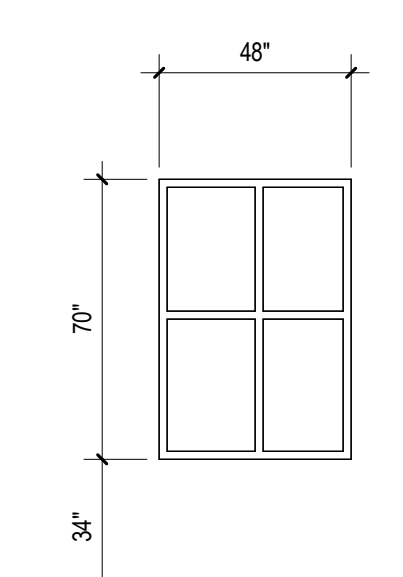
TYPE N



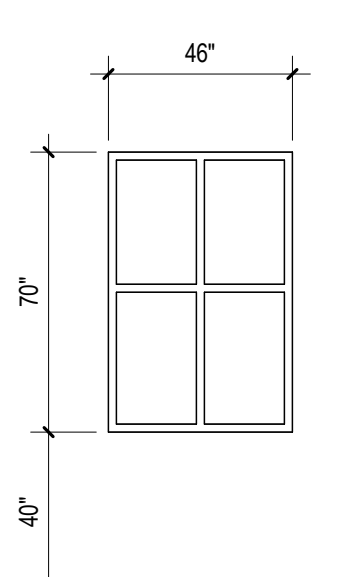
TYPE L



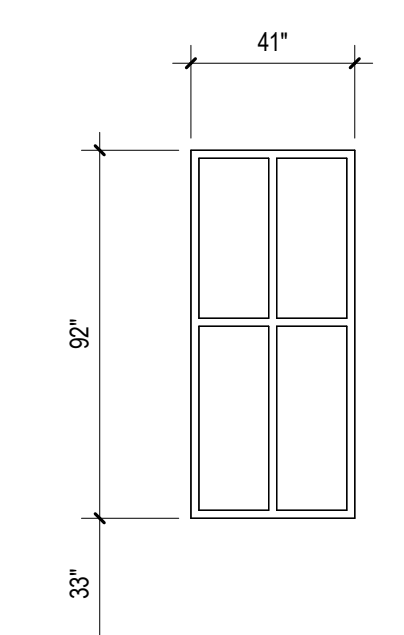
TYPE K



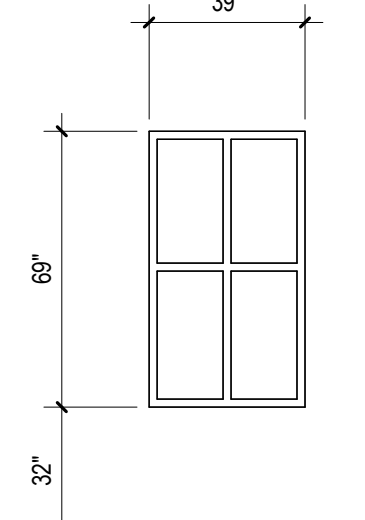
TYPE J



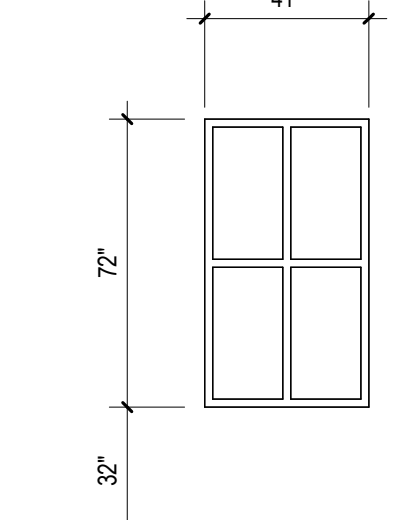
TYPE H



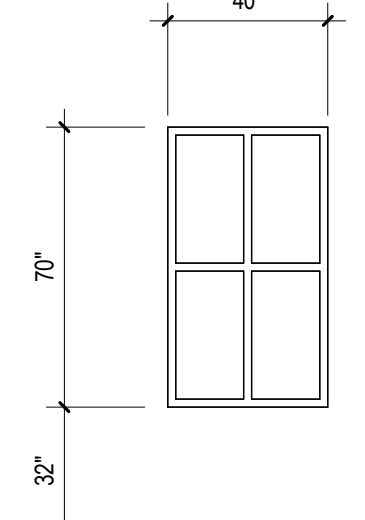
TYPE G



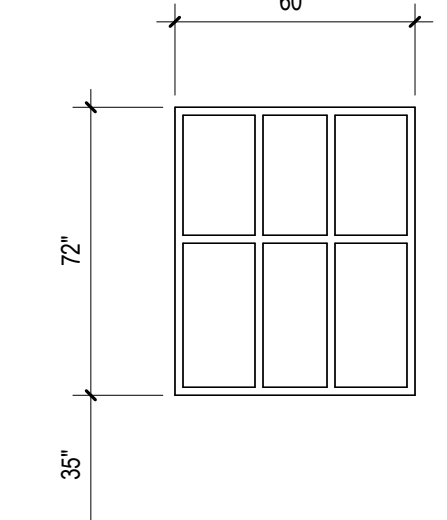
TYPE F



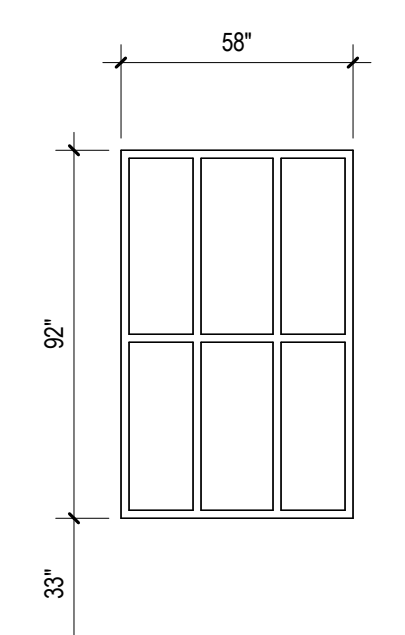
TYPE E



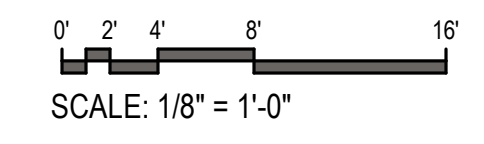
TYPE D



TYPE B



TYPE A



SCALE: 1/8" = 1'-0"

EXTERIOR FRAME TYPES