
SEEDS OF HEALTH - HIGH SCHOOL EXTERIOR BUILDING IMPROVEMENTS

918 VEL R. PHILLIPS AVE
MILWAUKEE, WI 53203



CERTIFICATE OF APPROPRIATENESS - AMENDMENT

EXTERIOR RENOVATION

06/17/2022

PROJECT NUMBER: 319396-02

1

2

3

4

5

6

7



milwaukee 333 East Chicago Street
Milwaukee, Wisconsin 53202
414.271.5350

madison 309 West Johnson Street, Suite 202
Madison, Wisconsin 53703
608.442.2550

denver 1899 Wynkoop Street, Suite 300
Denver, Colorado 80202
303.595.4500

PROJECT INFORMATION

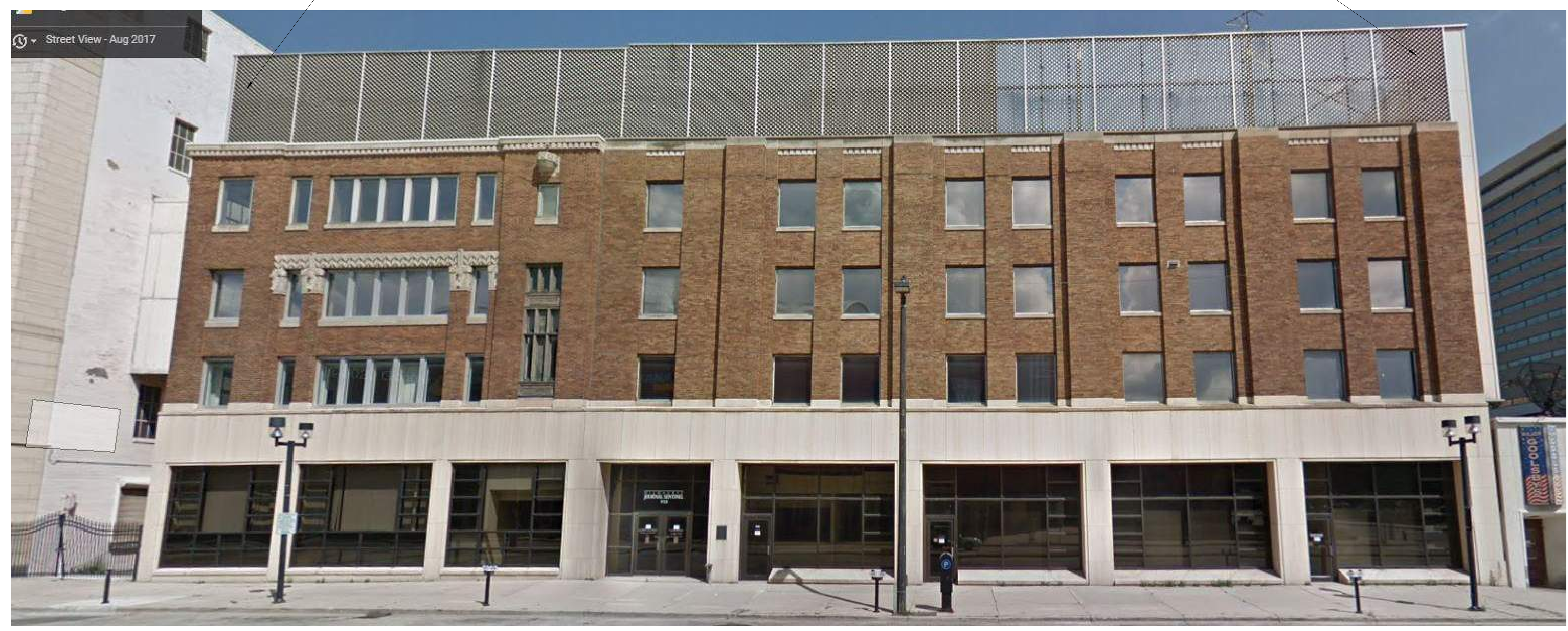
**SEEDS OF HEALTH -
HIGH SCHOOL
EXTERIOR BUILDING
IMPROVEMENTS**

**D 918 VEL R. PHILLIPS
AVE
MILWAUKEE, WI
53203**

ISSUANCE AND REVISIONS

DATE	DESCRIPTION
01/10/2021	IFC APPROVAL
05/23/2022	CONSTRUCTION DOCUMENTS
06/17/2022	COA AMENDMENT

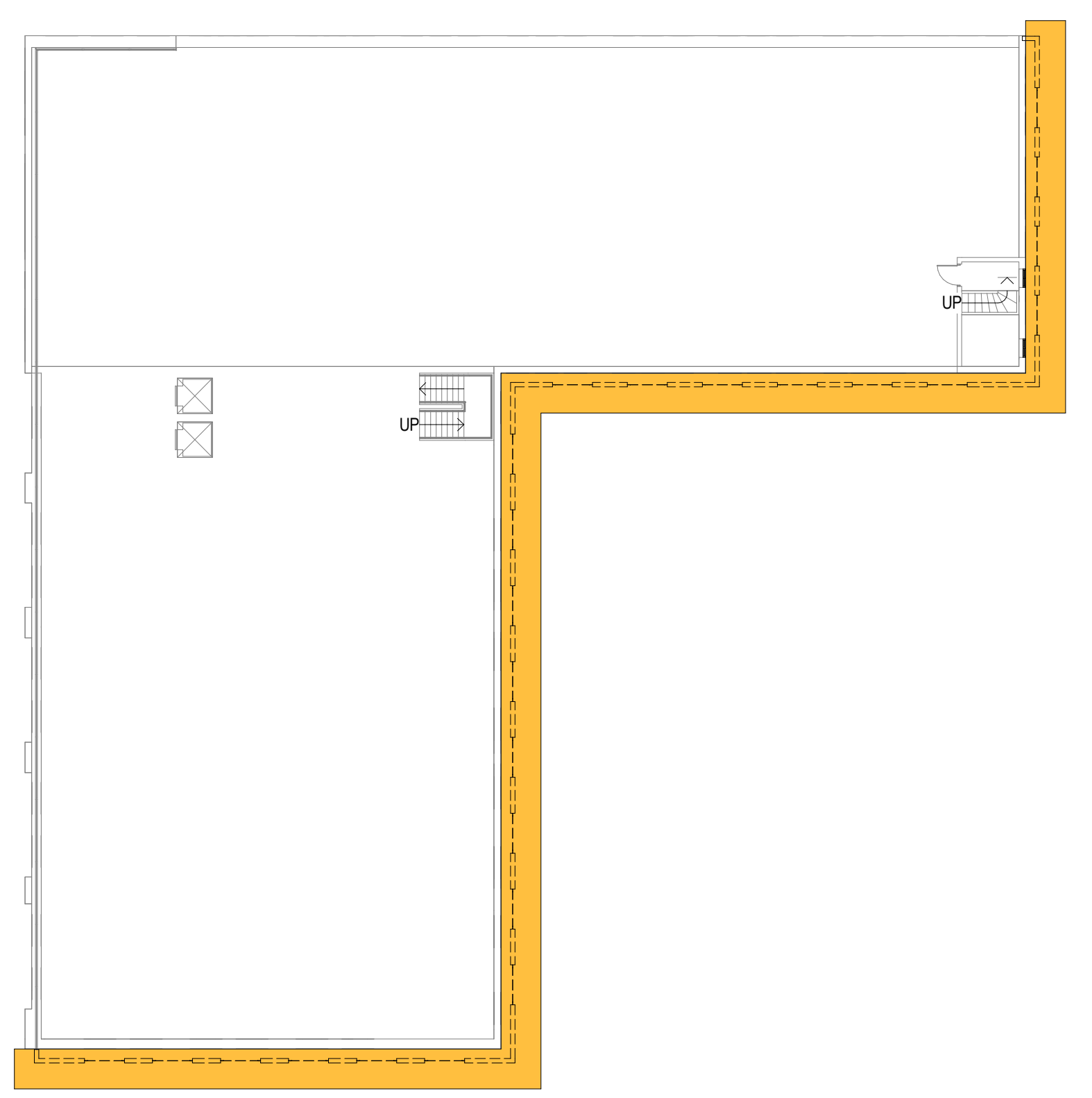
SCREEN TO REMAIN ALONG WEST ELEVATION



CURRENT WEST ELEVATION

E

D



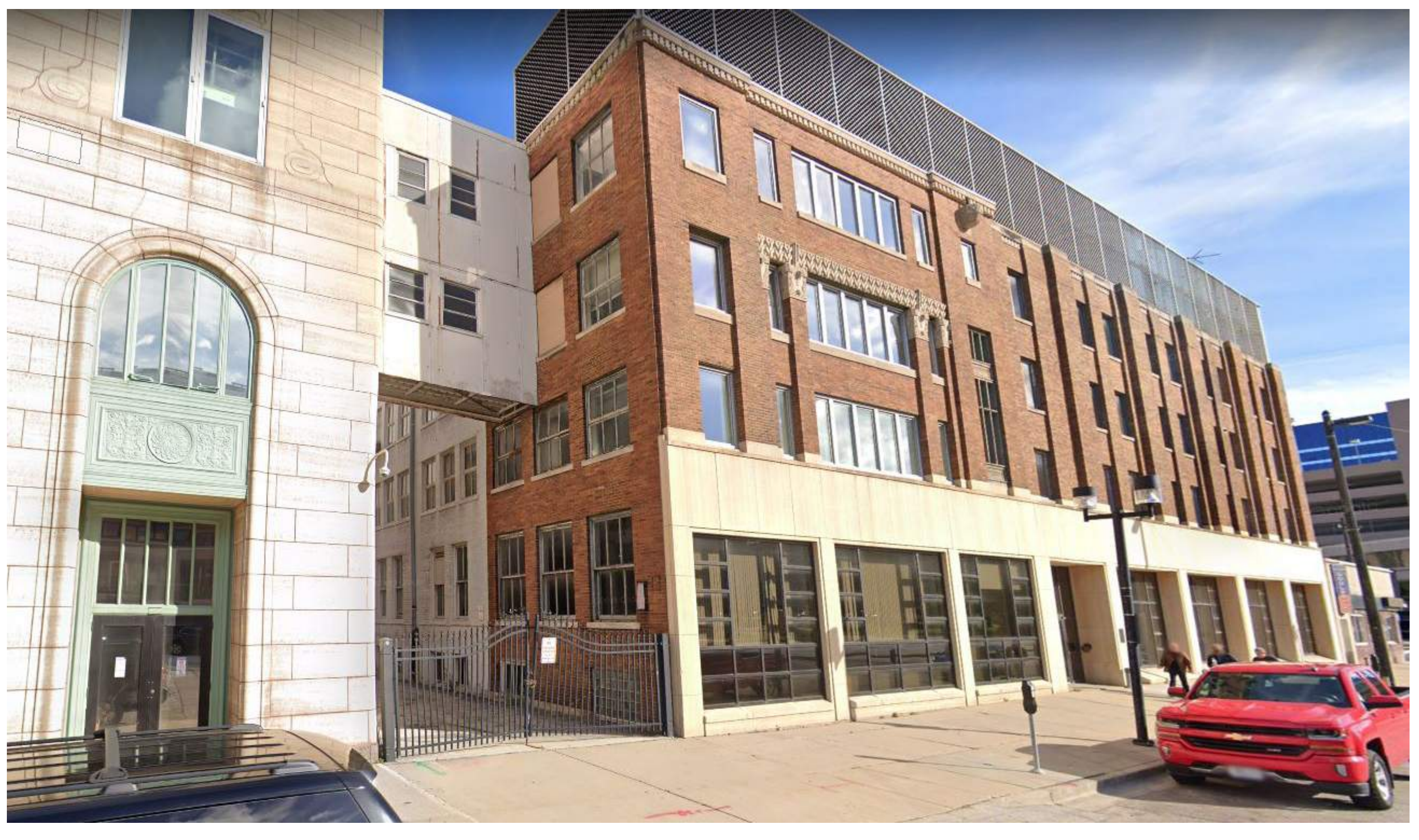
C

REMOVE METAL SCREEN ALONG
SOUTH AND EAST ELEVATIONS,
SEE PLAN ABOVE

B



CURRENT SOUTH AERIAL



CURRENT NORTH WEST STREET VIEW

C

KEY PLAN

B

SHEET INFORMATION

PROJECT MANAGER MS
PROJECT NUMBER 319396-02

EXTERIOR ELEVATIONS

A200

© 2020 Epstein Uhen Architects, Inc.

1

2

3

4

5

6

7

1

2

3

4

5

6

7



BRICK REPLACEMENT

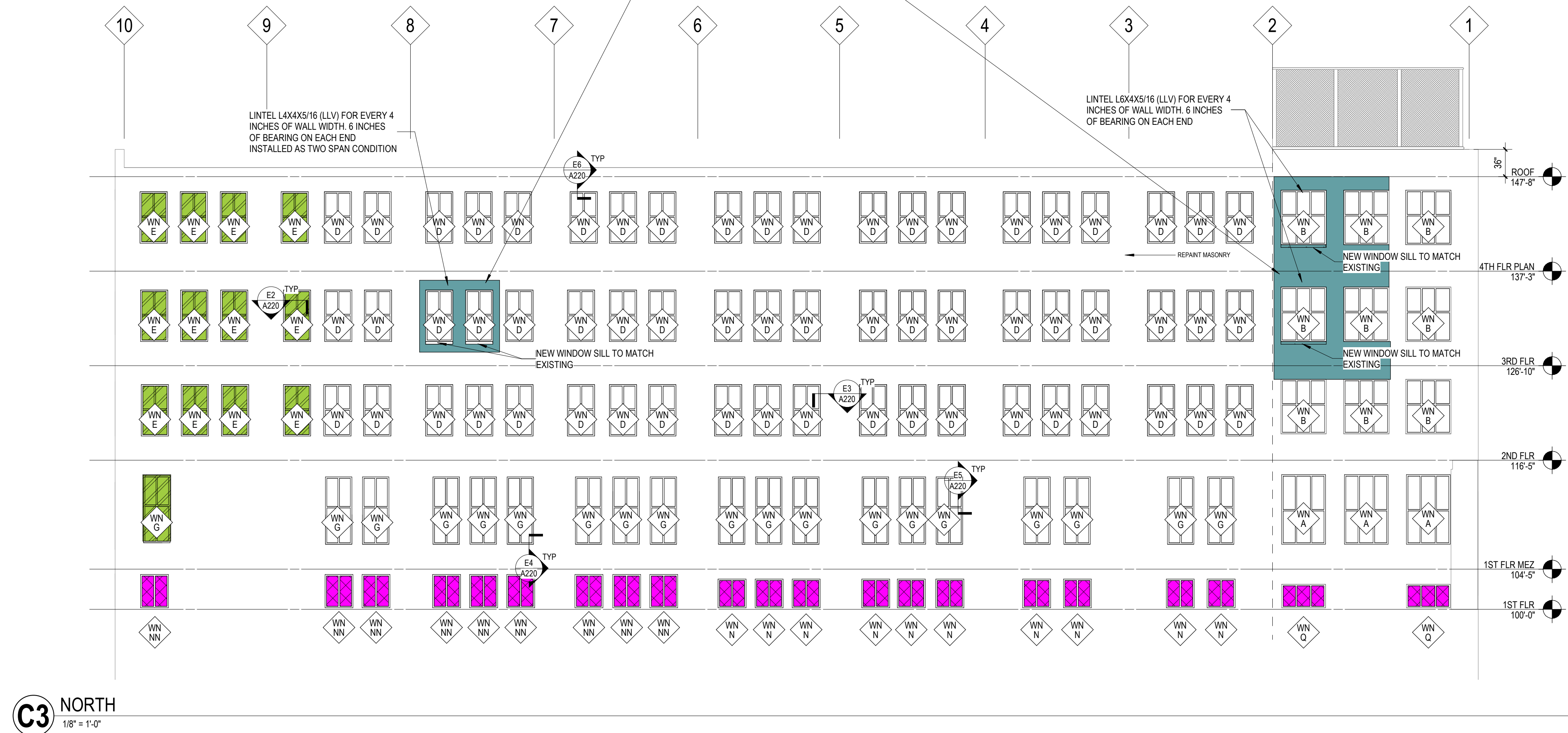
REPAINT EXISTING BRICK ALONG NORTH, EAST, AND SOUTH ELEVATIONS
 COLOR SELECTED:
 SHERWIN WILLIAMS SW 7038, TONY TAUPE



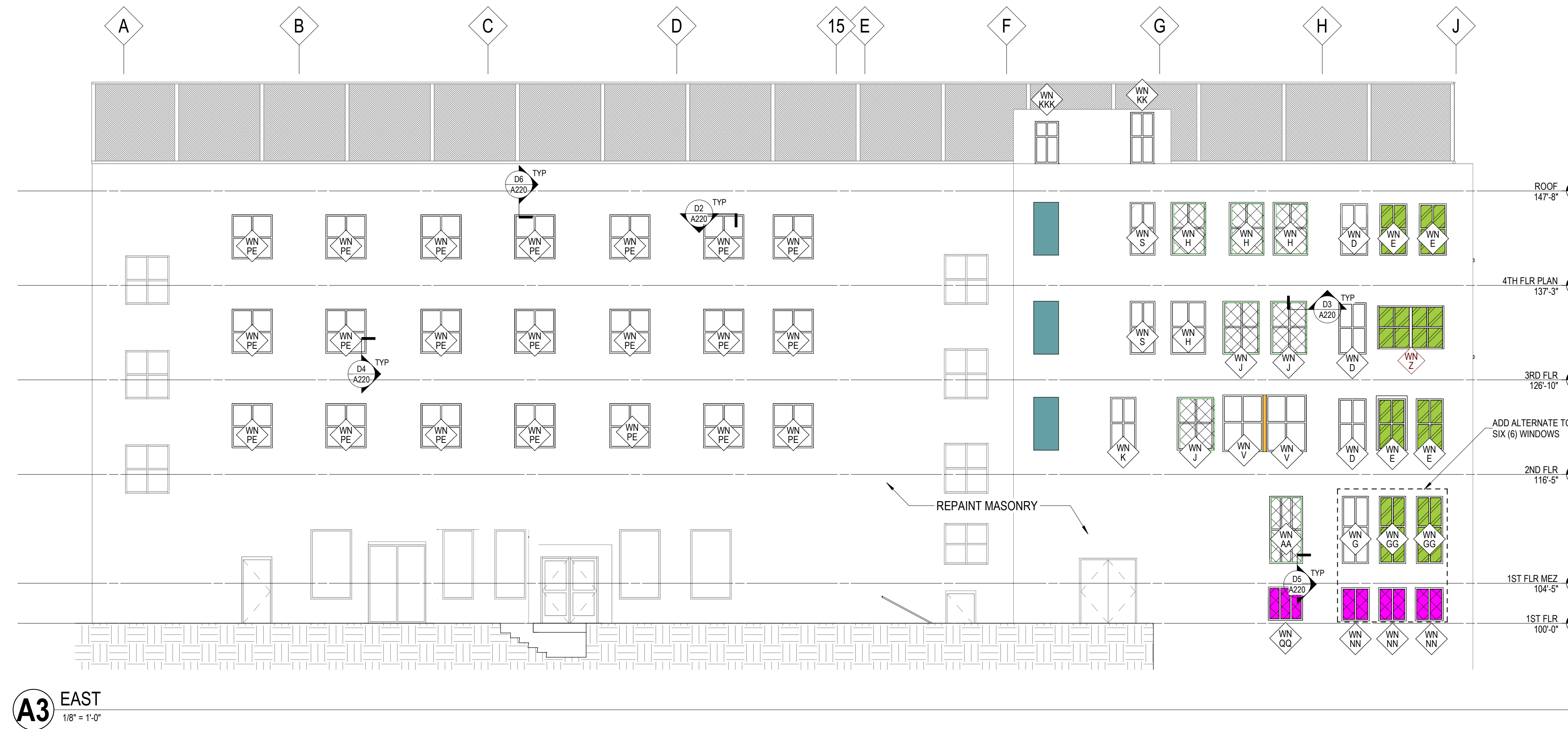
NORTH-EAST SKYBRIDGE INFILL

REMOVE FILLED IN NON-MATCHING MASONRY AND INFILL OPENING CONSTRUCTION TO MATCH ADJACENT MATERIALS AND ASSEMBLY

NORTH ELEVATION EXTERIOR WINDOW DETAILS: SIM - E2/A220, E3/A220, E4/A220, E5/A220, E6/A220



EAST ELEVATION EXTERIOR WINDOW DETAILS: SIM - D2/A220, D3/A220, D4/A220, D5/A220, D6/A220



KEY

- HATCH GLASS TYPE IG-6T
- INFILL OPENING CONSTRUCTION TO MATCH ADJACENT MATERIALS AND ASSEMBLY
- METAL COMPOSITE INFILL PANEL, FLAT PROFILE
- ALUMINUM TRIM TO MATCH WINDOW FRAME COLOR
- GLASS TYPE IG-6
- SPANDREL PANEL
- HATCH GLASS TYPE IG-2T
- EXISTING CONCRETE HAUNCHES



milwaukee 333 East Chicago Street
 Milwaukee, Wisconsin 53202
 414.271.5350

madison 309 West Johnson Street, Suite 202
 Madison, Wisconsin 53703
 608.442.2550

denver 1899 Wynkoop Street, Suite 300
 Denver, Colorado 80202
 303.556.4500

PROJECT INFORMATION

SEEDS OF HEALTH - HIGH SCHOOL EXTERIOR BUILDING IMPROVEMENTS

918 VEL R. PHILLIPS AVE MILWAUKEE, WI 53203

ISSUANCE AND REVISIONS

DATE	DESCRIPTION
01/10/2021	HPC APPROVAL
05/23/2022	CONSTRUCTION DOCUMENTS
06/17/2022	COA AMENDMENT

KEY PLAN

SHEET INFORMATION

PROJECT MANAGER MS
 PROJECT NUMBER 319396-02

EXTERIOR ELEVATIONS

A201

© 2020 Epstein Uhen Architects, Inc.

1

2

3

4

5

6

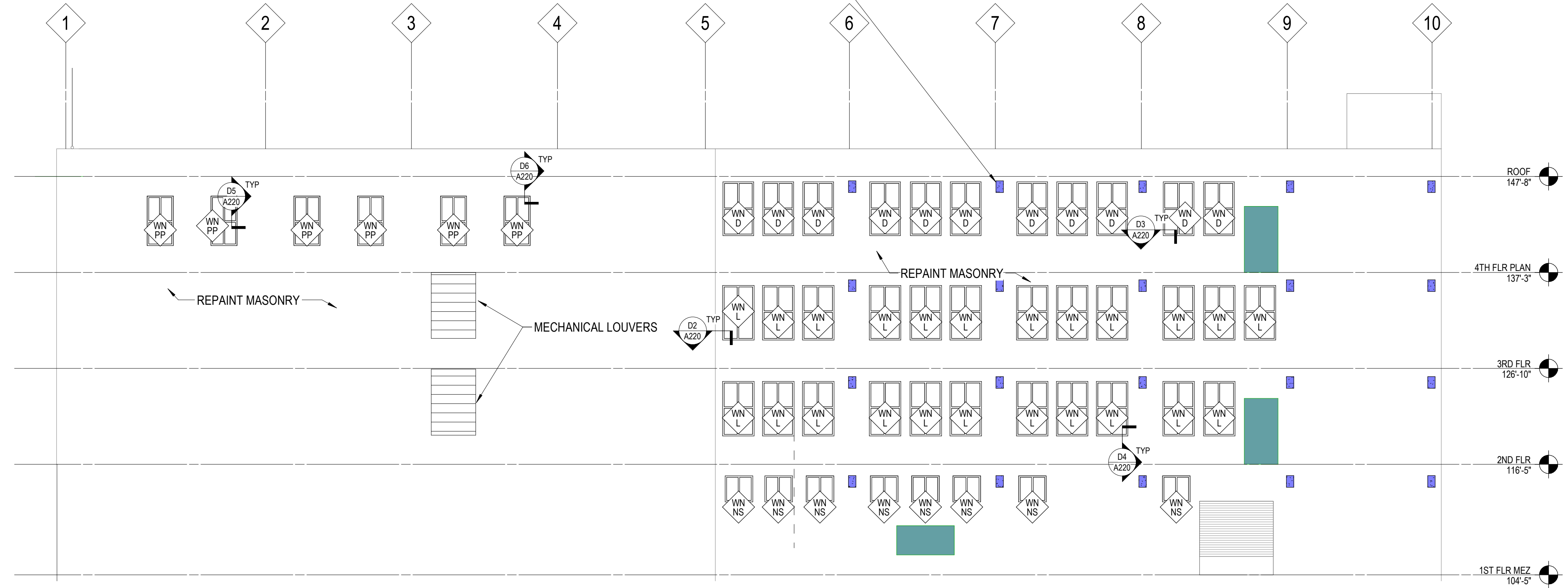
7



CONCRETE HAUNCH

EXISTING CONCRETE HAUNCHES TO REMAIN

SOUTH ELEVATION EXTERIOR WINDOW DETAILS: SIM - D2/A220, D3/A220, D4/A220, D5/A220, D6/A220



C3 SOUTH
1/8" = 1'-0"

WEST ELEVATION EXTERIOR WINDOW DETAILS: SIM - D2/A220, D3/A220, D4/A220, D5/A220, D6/A220



A3 WEST
1/8" = 1'-0"

KEY

- HATCH GLASS TYPE IG-6T
- INFILL OPENING CONSTRUCTION TO MATCH ADJACENT MATERIALS AND ASSEMBLY
- METAL COMPOSITE INFILL PANEL, FLAT PROFILE
- ALUMINUM TRIM TO MATCH WINDOW FRAME COLOR
- GLASS TYPE IG-6
- SPANDREL PANEL
- HATCH GLASS TYPE IG-2T
- EXISTING CONCRETE HAUNCHES



milwaukee 333 East Chicago Street
Milwaukee, Wisconsin 53202
414.271.5350

madison 309 West Johnson Street, Suite 202
Madison, Wisconsin 53703
608.442.5350

denver 1899 Wynkoop Street, Suite 300
Denver, Colorado 80202
303.556.4500

PROJECT INFORMATION

SEEDS OF HEALTH - HIGH SCHOOL EXTERIOR BUILDING IMPROVEMENTS

D 918 VEL R. PHILLIPS AVE
MILWAUKEE, WI 53203

ISSUANCE AND REVISIONS

DATE	DESCRIPTION
01/10/2021	IFPC APPROVAL
05/23/2022	CONSTRUCTION DOCUMENTS
06/17/2022	COA AMENDMENT

KEY PLAN

SHEET INFORMATION

PROJECT MANAGER MS

PROJECT NUMBER 319396-02

EXTERIOR ELEVATIONS

A202



milwaukee 333 East Chicago Street
Milwaukee, Wisconsin 53202
414.271.5350

madison 309 West Johnson Street, Suite 202
Madison, Wisconsin 53703
608.442.2590

denver 1899 Wynkoop Street, Suite 300
Denver, Colorado 80202
303.556.4500

WINDOW FRAME NOTES

1. GENERAL NOTES
1A. ALL OPENING DIMENSIONS TO BE FIELD VERIFIED. DIMENSIONS ARE SHOWN FOR INFORMATION ONLY AND MUST BE CONFIRMED PRIOR TO WINDOW FABRICATION.
1B. PROVIDE NEW ROLLER SHADES AT EACH WINDOW.
1C. SINGLE HUNG WINDOW BASIS OF DESIGN, QUAKER H650
1D. STOREFRONT SYSTEM BASIS OF DESIGN, KAWNEER 461T

2. FRAME NOTES
2A. DARK BRONZE COLOR FOR ALL NEW EXTERIOR FRAMES
2B. ALL FRAMES TO BE EXTERIOR ALUMINUM STOREFRONT WINDOW SYSTEM WITH 2" X 4 1/2" MILLION PROFILE UNLESS NOTED OR DIMENSIONED OTHERWISE.

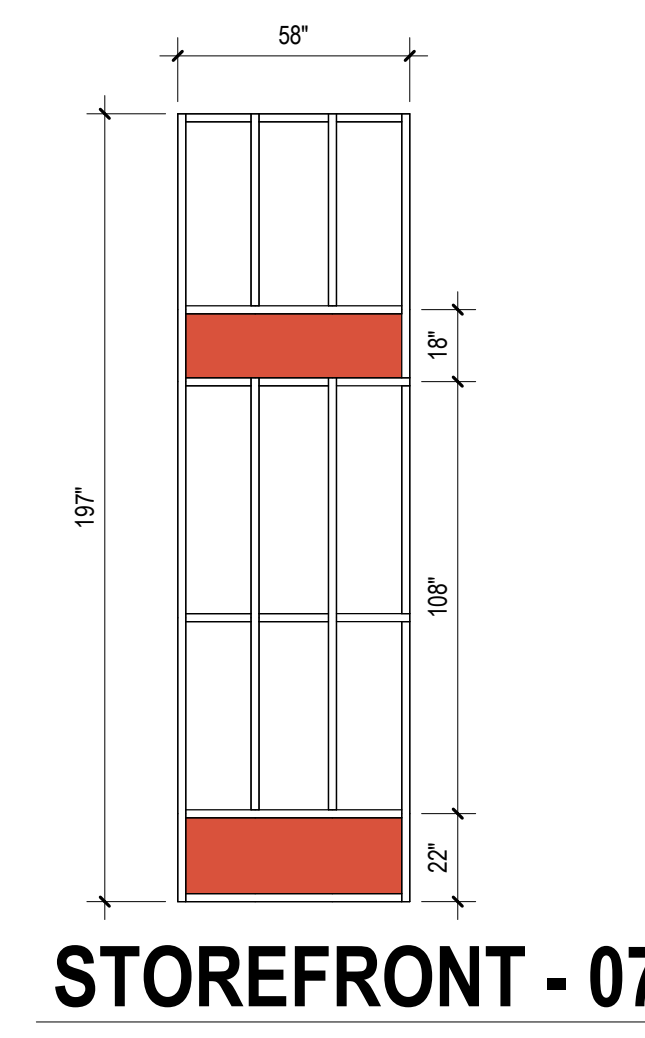
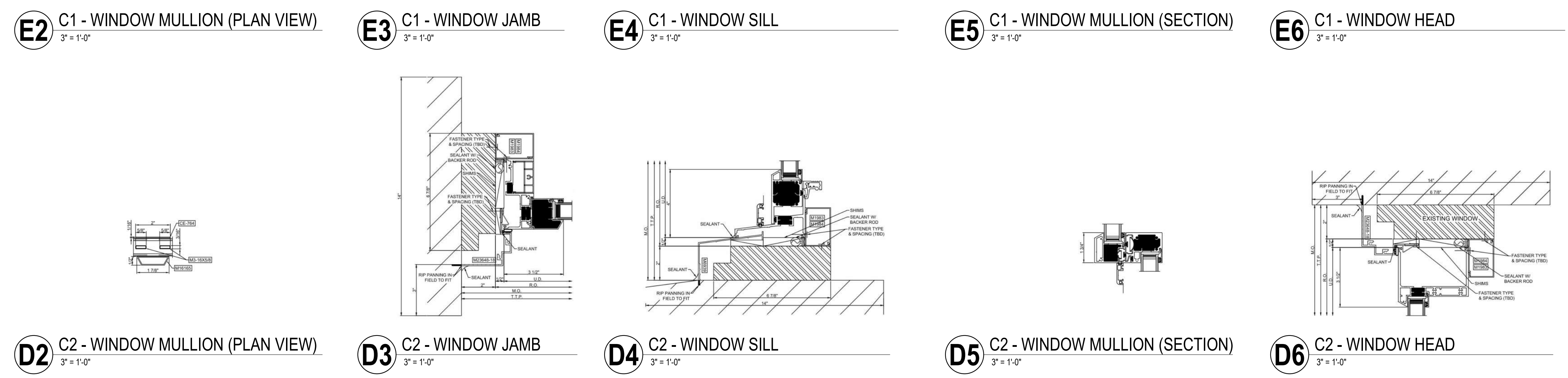
3. GLAZING NOTES
3A. ALL GLAZING IN EXTERIOR FRAMES TO BE IG-1 UNLESS NOTED OTHERWISE.
3B. WINDOWS IN RESTROOMS TO HAVE GLASS TYPE IG-6

GLAZING SCHEDULE

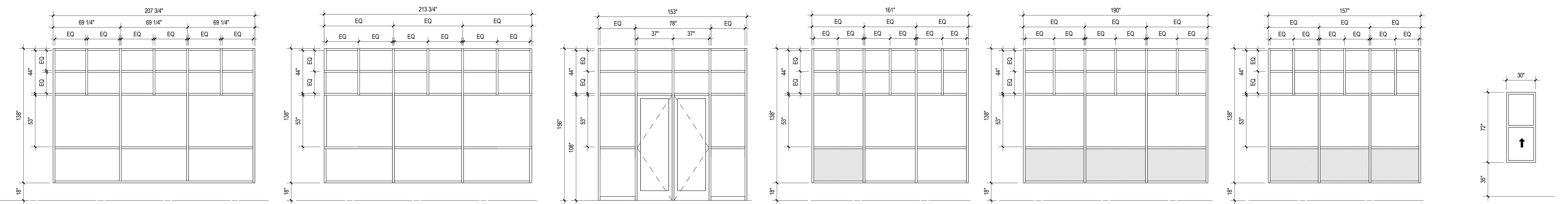
IG-1	INSULATING GLASS, CLEAR, LOW-E, ARGON FILLED, 1" THICK
IG-2T	INSULATING GLASS, CLEAR, LOW-E, ARGON FILLED, FULLY TEMPERED, 1" THICK
IG-6	INSULATING GLASS, TRANSLUCENT FROSTED, LOW-E, ARGON FILLED, 1" THICK
IG-6T	INSULATING GLASS, TRANSLUCENT FROSTED, LOW-E, ARGON FILLED, FULLY TEMPERED, 1" THICK

KEY

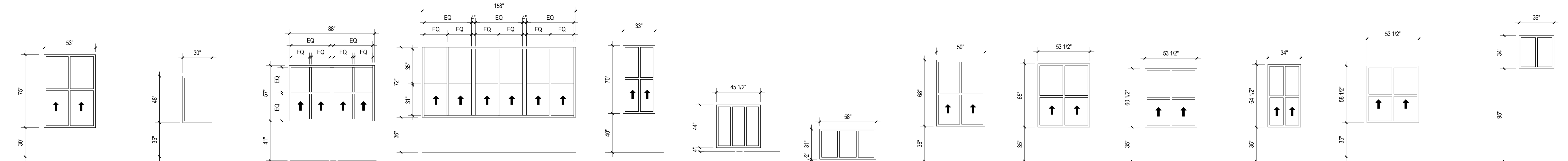
- HATCH GLASS TYPE IG-6T
- INFILL OPENING, CONSTRUCTION TO MATCH ADJACENT MATERIALS AND ASSEMBLY
- METAL COMPOSITE INFILL PANEL, FLAT PROFILE
- ALUMINUM TRIM TO MATCH WINDOW FRAME COLOR
- GLASS TYPE IG-6
- SPANDREL PANEL
- HATCH GLASS TYPE IG-2T
- EXISTING CONCRETE HAUNCHES



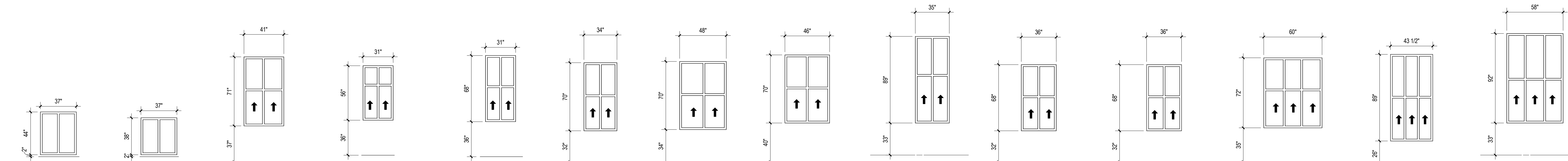
STOREFRONT - 07



STOREFRONT - 06 STOREFRONT - 05 STOREFRONT - 04 STOREFRONT - 03 STOREFRONT - 02 STOREFRONT - 01 TYPE U



TYPE V TYPE W TYPE Z TYPE ZA TYPE S TYPE QQ TYPE Q TYPE PW2 TYPE PW TYPE PPP TYPE PP TYPE PE TYPE NS



TYPE NN TYPE N TYPE L TYPE KKK TYPE KK TYPE K TYPE J TYPE H TYPE G/GG TYPE F TYPE D/E TYPE B TYPE AA TYPE A

PROJECT INFORMATION

SEEDS OF HEALTH - HIGH SCHOOL EXTERIOR BUILDING IMPROVEMENTS

918 VEL R. PHILLIPS AVE MILWAUKEE, WI 53203

ISSUANCE AND REVISIONS

DATE	DESCRIPTION
01/10/2021	HPC APPROVAL
05/23/2022	CONSTRUCTION DOCUMENTS
06/17/2022	COA AMENDMENT

KEY PLAN

SHEET INFORMATION

PROJECT MANAGER MS
PROJECT NUMBER 319396-02

EXTERIOR FRAME TYPES & EXTERIOR DETAILS

A220

© 2020 Epstein Uhen Architects, Inc.