

TRANSMITTAL



BUILDING YOUR VISION

TO: Excel Engineering
Attn: Michelle Schaalma
100 Camelot Drive
Fond du Lac, WI 54935

Date: February 15, 2018
Project # / Name: 217017 / Greater Galilee
Document: 085200-001-B
Subcontractor: Weather-Tek
RE: Historic Windows Shop Drawings - REVISED Submittal
Due Date: February 22, 2018

We are sending you the following: Attached Under Separate Cover

Sent Via: Mail Email UPS Fax Pick-Up/Hand Deliver

Copies	Spec No.	Description
1	085200-001-B	Historic Windows Shop Drawings - REVISED Submittal – For Approval

Remarks: Attached please find a submittal for review/approval. A response is requested by **February 22nd**.

Thank you.

Copy to: _____

- For Review/Approval
- For Information Only
- Reviewed

THIS SUBMITTAL HAS BEEN REVIEWED FOR GENERAL CONFORMANCE TO THE CONTRACT DOCUMENTS.

REVIEWED FOR SUBMITTAL
 REVISE AND RESUBMIT **085200-001-B**
SUBMITTAL NUMBER _____

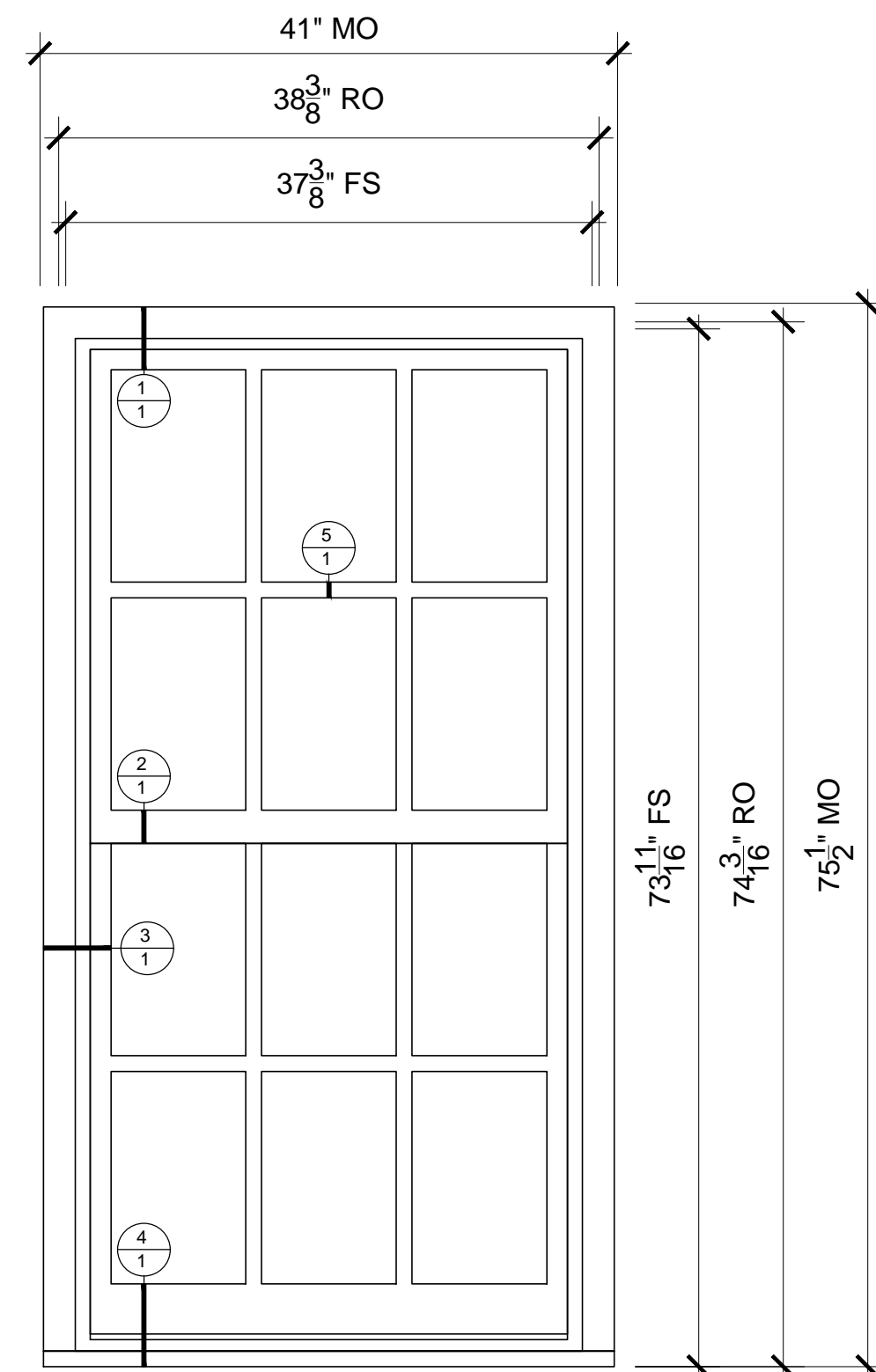
CATCON, LLC
GENERAL CONTRACTOR / CONSTRUCTION MANAGER
833 E. Michigan Ave, Suite 1000
MILWAUKEE, WI 53202

DATE **02/15/2018** BY J. Smallwood
Joe Smallwood

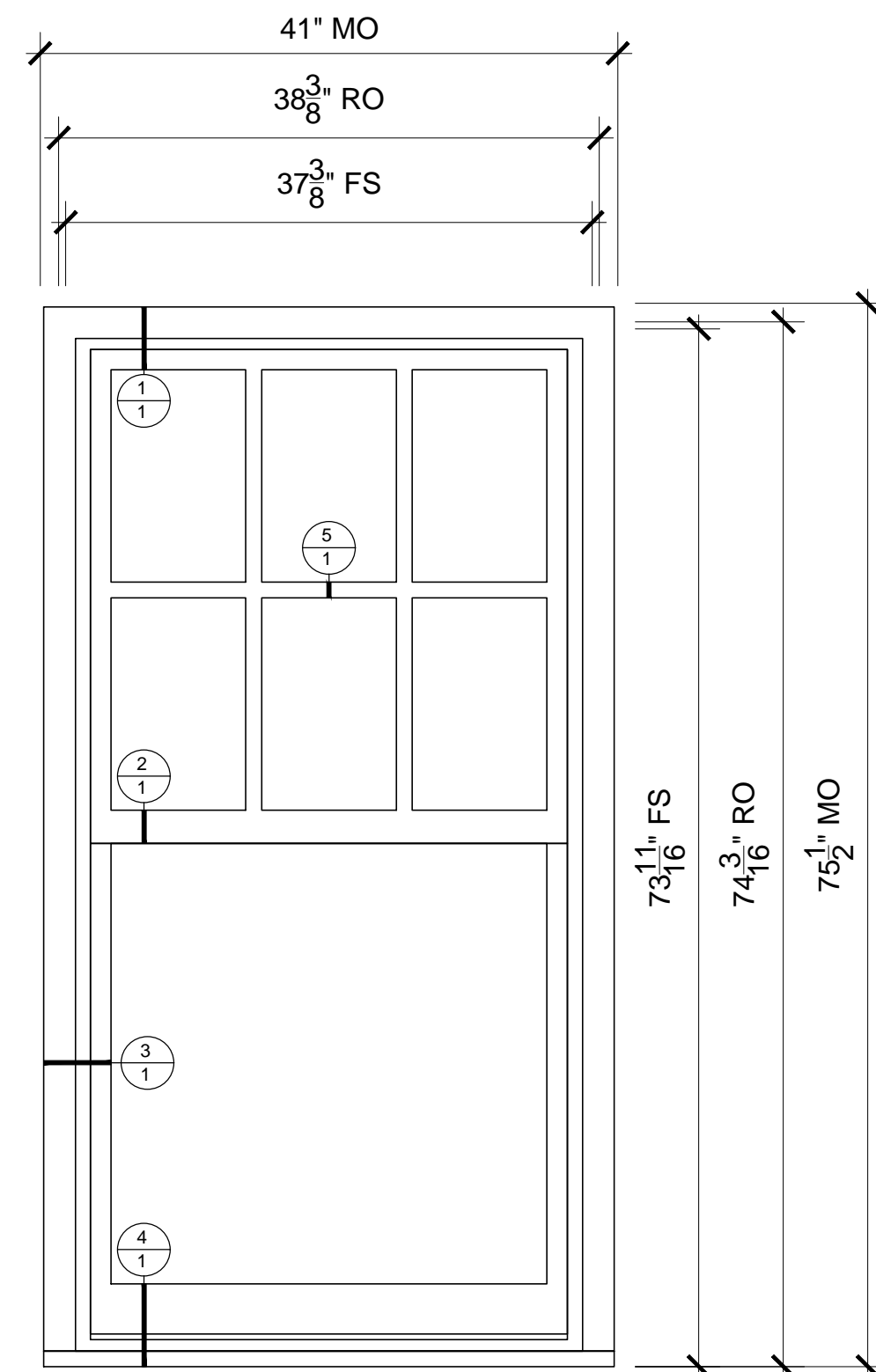
**833 E. Michigan St., Suite 1000
Milwaukee, WI 53202
Phone: (414) 727-6840
Fax: (414) 727-6830**

.....

APPROVED
By Tim Askin at 1:44 pm, Feb 15, 2018



HW-1
SCALE: 1" = 1'-0"



HW-2
SCALE: 1" = 1'-0"

SPECIFICATIONS

Qty: 6
Brand: Marvin
Series: Wood
Exterior Finish: Primed
Species: Pine
Interior Finish: Primed
Product: Ultimate Double Hung - Both Sash Stationary
Glass Information: IG, Tempered Clear, Stainless
Divider Type: 1 1/8" Rectangular SDL W/ Spacer - Stainless
Hardware Type: Sash Lock
Hardware Color: Satin Taupe
Jamb Depth: 4 9/16"
Exterior Casing: Custom Casing
Subsill: W8002

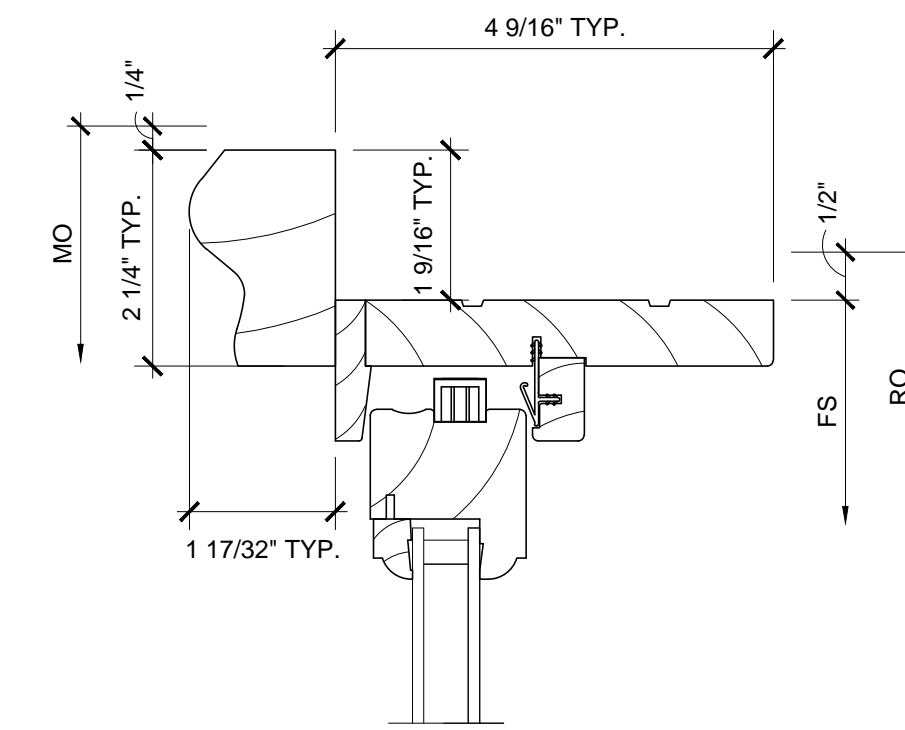
SPECIFICATIONS

Qty: 6
Brand: Marvin
Series: Wood
Exterior Finish: Primed
Species: Pine
Interior Finish: Primed
Product: Ultimate Double Hung - Both Sash Stationary
Glass Information: IG, Tempered Clear, Stainless
Divider Type: 1 1/8" Rectangular SDL W/ Spacer - Stainless
Hardware Type: Sash Lock
Hardware Color: Satin Taupe
Jamb Depth: 4 9/16"
Exterior Casing: Custom Casing
Subsill: W8002

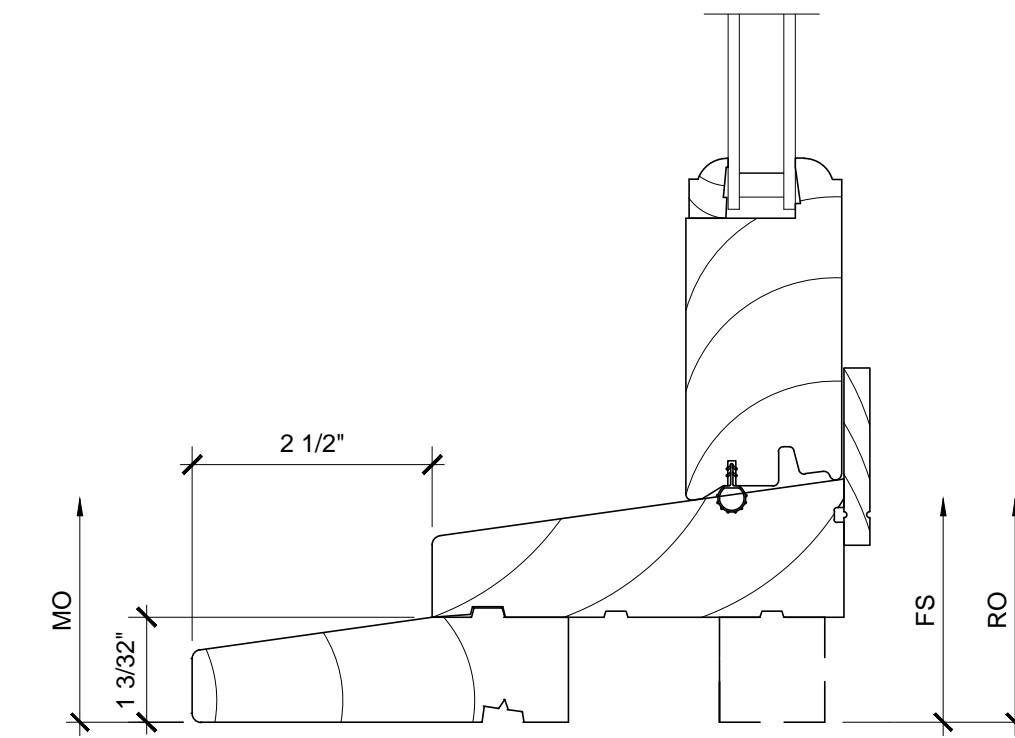
ALL SPECIFICATIONS, DIMENSIONS,
QUANTITIES, AND LOCAL CODE COMPLIANCES
ARE TO BE VERIFIED BY OTHERS.

INSTALLATION MATERIALS DISCLAIMER

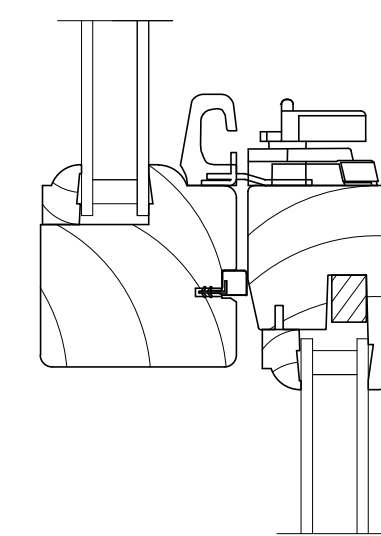
MARVIN WINDOWS & DOORS IS SUPPLYING WINDOW AND/OR DOOR UNITS ONLY. MATERIALS SUCH AS, BUT NOT LIMITED TO, FLASHING, SHIMS, SEALANTS, BLOCKING, INSULATION AND INTERIOR TRIM ARE NOT THE RESPONSIBILITY OF MARVIN WINDOWS & DOORS UNLESS OTHERWISE NOTED.



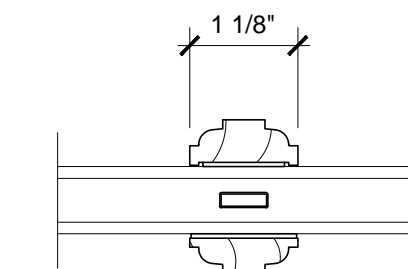
1 HEAD
SCALE: 6" = 1'-0"



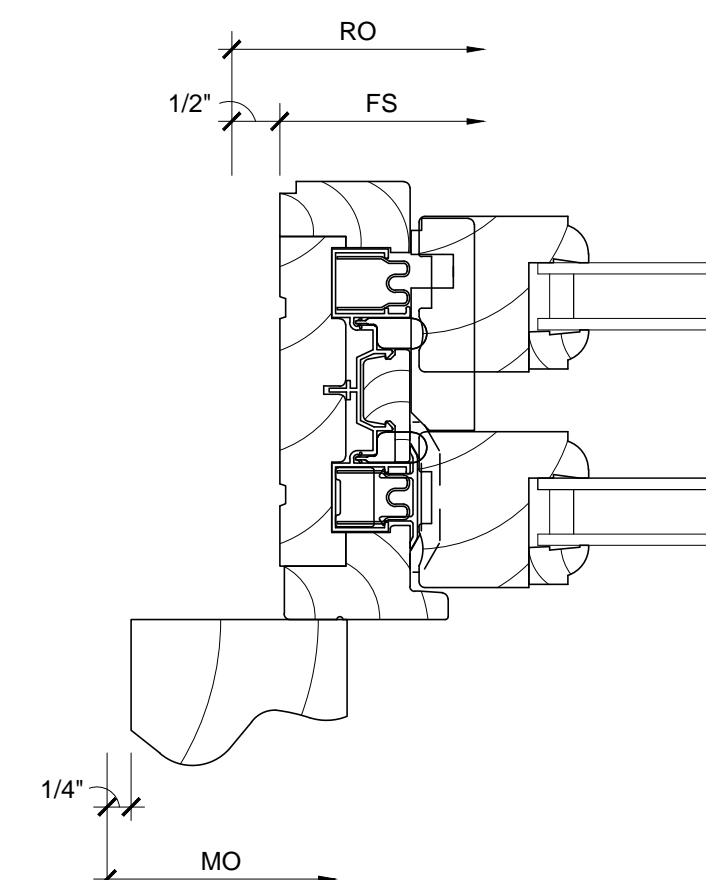
4 SILL
SCALE: 6" = 1'-0"



2 MEETING RAIL
SCALE: 6" = 1'-0"

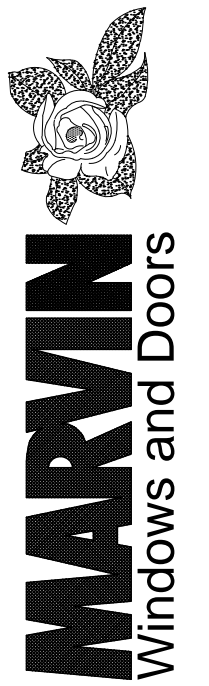


5 DIVIDER
SCALE: 6" = 1'-0"



3 JAMB
SCALE: 6" = 1'-0"

6 NOT USED
SCALE: 6" = 1'-0"



ORDERING PRODUCTS WITH REFERENCE TO SHOP DRAWINGS:
Before ordering the Marvin Window and Door products illustrated within these shop drawings, a copy of these drawings accompanied by an approved signature of the purchaser must be returned to the Architectural Department, Marvin Windows & Doors, P.O. Box 100, Marvin, Minnesota 55763. If the Manufacturer's name is not present on the drawings, reference to the approved shop drawings, Marvin Windows and Doors assumes no responsibility in guaranteeing product coordination with the drawings.

Greater Galilee Mission Baptist Church

DISTRIBUTOR: Marvin Windows and Doors
DEALER: Weather-Tek Design Center Inc
CONTRACTOR:
ARCHITECT:
DRAWING NO: 600817.1.dwg DRAWN BY: tomhod
DATE: 09/18/17 REVISION DATE: 02/15/18

SHEET
1
OF 1