

WEST RESERVOIR /  
(80' R.O.W.)

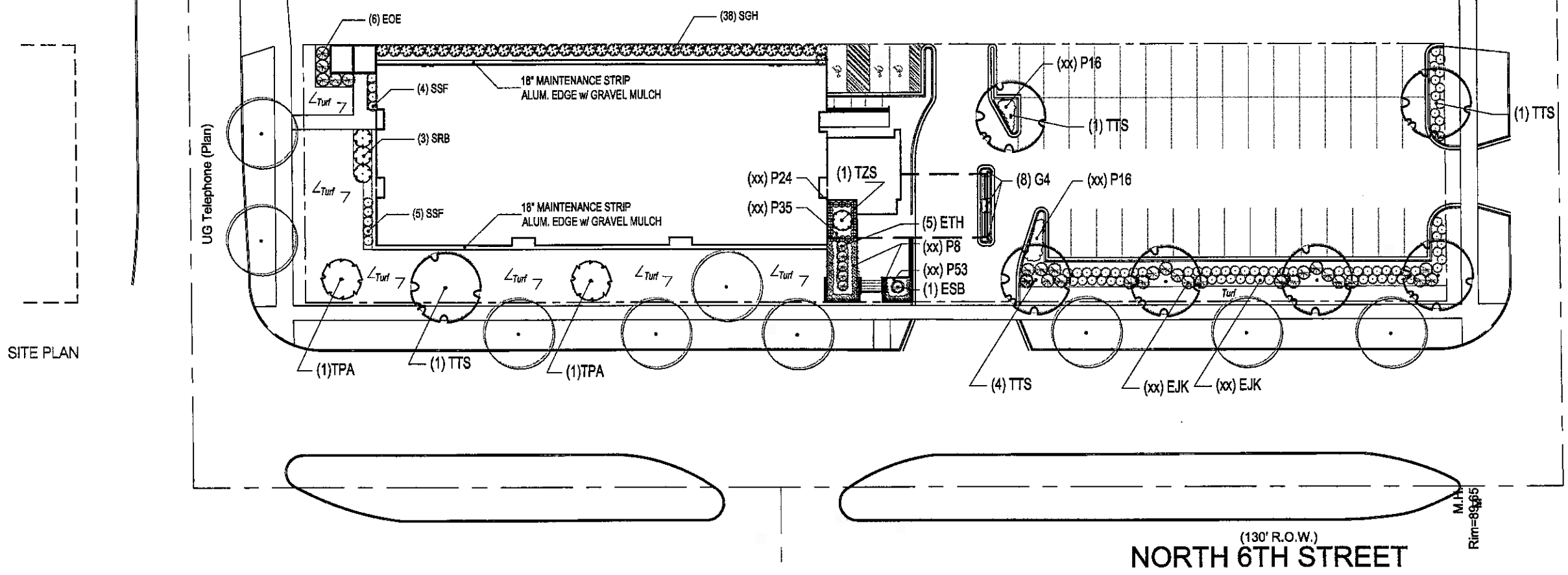
WEST VINE STREET  
(80' R.O.W.)

PLANT MATERIAL SCHEDULE						
<b>SHADE TREES</b>						
TBA	<i>Prunus Menckii</i>	Amer Chokeberry	8'-10'	BB	Full Form, Multi-Stem	
TTS	<i>Tilia - Sterling Silver</i>	Sterling Silver Linden	2.5'	BB	Uniform & Balanced Shape	
TZS	<i>Amelanchier x canadensis</i>	Shadblow Serviceberry	6'-7' hgt	BB	Full Form, Multi-Stem	
<b>EVERGREEN TREES</b>						
4	EOE	<i>Thuja occidentalis 'Smaragd'</i>	Emerald Arborvitae	3'-4'	BB	Uniform & Balanced Shape
<b>SHRUBS</b>						
SGH	<i>Ligustrum vulgare 'Chrysantha'</i>	Cheyenne Privet	2'-3' hgt	POT	Hedge Row - Plant 4' O.C.	
SRB	<i>Aronia melanocarpa var. elata</i>	Black Chokeberry	4'-5' hgt	BB	Prune Spent Flowers & Dead Wood	
EJK	<i>Julipennis chinensis 'Kalleys Compact'</i>	Kalleys Compact Juniper	18" dia.	POT	Uniform & Balanced Shape	
SSF	<i>S. Japonica 'Froebel'</i>	Froebel Spirea	18"-24"	POT	Prune Spent Flowers & Dead Wood	
ETH	<i>Taxus x imbricata 'Hicks'</i>	Hicks-Yew	18"-24"	BB	Plant all to form appearance of single plant	
SSN	<i>Spirea bushiana 'Anthony-Waterer'</i>	Anthony Waterer Spirea	18"-24"	POT	Prune Spent Flowers & Dead Wood	
ESB	<i>Picea abies 'Millmottii'</i>	Birds Nest Spruce	18"-24" d	POT	Uniform & Balanced Shape	

PERENNIALS					
P16	<i>Hebe x Exoniifolia</i>	Davilly Mixed Hybrid	4.5'	POT	24" Spacing
P8	<i>Coreopsis verticillata 'Zagreb'</i>	Coreopsis 'Zagreb'	2.5'	Cont.	12" Spacing
P24	<i>Hebe x 'Krossa Regal'</i>	Hebe x Krossa Regal	1 gal.	POT	Full, Uniform Shape
P35	<i>Heuchera micrantha 'Palace Purple'</i>	Corabelle Palace Purple	4.5'	POT	15" Spacing
P53	<i>Salvia nemorosa 'Mainsacht'</i>	May Night Perennial Salvia	4.5'	POT	15" Spacing
P54	<i>Sedum Spectabile 'Autumn Joy'</i>	Sedum Autumn Joy	4.5'	POT	18" Spacing
<b>GRASSES</b>					
G4	<i>Panicum Vigatum 'Heavy Metal'</i>	Heavy Metal Switchgrass	1 Gallon	POT	24" Spacing

NOTES:

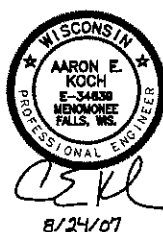
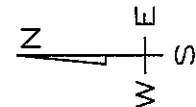
- ALL PLANTING BEDS TO BE MULCHED WITH SHREDDED HARDWOOD BARK. WHERE PLANTING BEDS MEET LAWN AREA, SPADE CUT EDGE OF PLANTING BED.
- IT IS THE RESPONSIBILITY OF LANDSCAPE INSTALLER TO HAVE UNDERGROUND UTILITIES LOCATED BY DIGGERS HOTLINE PRIOR TO INSTALLATION.
- PLANT LIST QUANTITIES ARE PROVIDED FOR LANDSCAPE CONTRACTORS CONVENIENCE ONLY. LANDSCAPE CONTRACTOR SHALL VERIFY ALL QUANTITIES SHOWN ON PLAN.
- SUPPLY AND INSTALL FERTILIZER TABLETS AGIFORM 20-10-5 FOR TREES, SHRUBS AND EVERGREENS.
- SUPPLY AND INSTALL OSMOCOTE PRO 18-5-8 PLUS MINORS FERTILIZER AROUND PERENNIALS.



NOTES:

- PIPE RUN LENGTHS AS SHOWN ON THIS PLAN ARE MEASURED NOSE-TO-NOSE (I.E. CENTER-TO-CENTER OF MANHOLES).
- SEE SHEET 03 OF THIS SET FOR DETAILS.
- THE LOCATION AND SIZE OF UNDERGROUND STRUCTURES AND UTILITIES SHOWN HEREON HAVE BEEN LOCATED TO A REASONABLE DEGREE OF ACCURACY, BUT THE ENGINEER DOES NOT GUARANTEE THEIR EXACT LOCATION OR THE LOCATION OF OTHERS NOT SHOWN. CONTACT DIGGERS HOTLINE.
- ALL SITE GRADING ACTIVITY AND EROSION CONTROL MEASURES SHALL COMPLY WITH THE WISCONSIN DEPARTMENT OF NATURAL RESOURCES CONSTRUCTION SITE EROSION AND SEDIMENT CONTROL TECHNICAL STANDARDS (1000-1070). ALL EROSION CONTROL MEASURES MUST BE IN PLACE BEFORE CONSTRUCTION BEGINS AND SHALL BE MAINTAINED DURING CONSTRUCTION.

ABBREVIATIONS  
 STP - STORM SEWER PIPE  
 SSM - SANITARY SEWER MANHOLE  
 SSP - SANITARY SEWER PIPE  
 HYD - HYDRANT  
 GV - GATE VALVE  
 WM - WATERMAN  
 AV - AIR RELIEF VALVE AND BOX  
 WMP - WATERMAIN PIPE



LANDCRAFT SURVEY AND ENGINEERING, INC.  
 REGISTERED LAND SURVEYORS AND CIVIL ENGINEERS  
 2077 SOUTH 118th STREET, WEST ALLIS, WI 53227  
 PH: (414) 504-0674 FAX: (414) 504-0677  
 INFO@LANDCRAFTSE.COM

DESIGNED BY: MT  
 CHECKED BY: MT  
 APPROVED BY: \_\_\_\_\_  
 TOWN/CITY ENGINEER DATE \_\_\_\_\_

PROJECT NO.: 070367 - REV. DATE: Aug 24, 2007  
 HOR. SCALE: 1"= 20'

LANDSCAPE PLAN  
 DAYS INN DOWNTOWN  
 CITY OF MILWAUKEE, MILWAUKEE COUNTY, WISCONSIN

SHEET 3 OF 3