

Construction Details

Introduction	1
Ultimate Direct Glaze Polygon - 2x6 Frame Wood Siding	2
Ultimate Wood Direct Glaze Polygon - 2x6 Frame with Wood Siding	3
Ultimate Direct Glaze Polygon - 2x4 Frame with Stucco	4
Ultimate Wood Direct Glaze Polygon - 2x4 Frame with Stucco	5
Ultimate Direct Glaze Polygon - 2x4 Steel Stud with Brick Veneer	6
Ultimate Wood Direct Glaze Polygon - 2x4 Steel Stud with Brick Veneer	7
Ultimate Direct Glaze Polygon - Concrete Block with Brick Veneer	8
Ultimate Wood Direct Glaze Polygon - Concrete Block with Brick Veneer	9
Ultimate Direct Glaze Poly - Wood Siding Combination Wall Sheathing, WRB and Air Barrier	10
Ultimate Direct Glaze Polygon - Foam Plastic Insulated Sheathing (FPIS) over WRB	11
Ultimate Wood Direct Glaze Polygon - Foam Plastic Insulated (FPIS) under WRB	12
Ultimate Inswing French Door - Frame with Steel Siding	13
Ultimate Wood Inswing French Door - 2x6 Frame with Steel Siding	14
Structural Support Options	15
Modern Casement - 2x6 Frame with Stucco	16
Modern Casement - 2x6 Frame with Wall Sheathing	17

Introduction

Marvin Windows and Doors is an industry leader in providing high quality and energy efficient windows and doors. To obtain these results, Marvin windows and doors need to be properly installed and maintained. Failure to review and utilize these construction methods can result in poor product performance, premature failure and unnecessary call backs. It is the responsibility of the architect, builder, installer, and subcontractors to comply with code requirements for their area and to utilize the best method for attachments and fastener selections.

This chapter covers the water seal requirements of the window and door installation and provides visual detail in drawing format of our installation instructions.

The water seal method can be thought of as primary and secondary methods and systems;

- **Primary water seal:** window exterior seal to the exterior coating or finish of the building
- **Secondary water seal:** window seal to the wall weather resistive barrier so that any leakage within the wall is managed and controlled.
- **Window panning system:** drains the RO area to the wall resistive barrier
- **RO air area seal:** prevents RO pressurization and air movement through the RO
- **Wall thermal barrier:** provides continuity of the wall system by installation placed around the window in the RO gap. Marvin has two systems for this; (1) batten installation system and (2) spray foam
- **Vapor seal:** is the least important of the seal systems. The vapor barrier provides continuity across the RO with the wall vapor barrier.

Units must be shimmed in the opening, true, level, and square. Shim a minimum of 3/8" above sill plate to provide unit clearance over panning.

Contact your Marvin representative if you have questions or need further technical assistance at 1-800-346-3363.

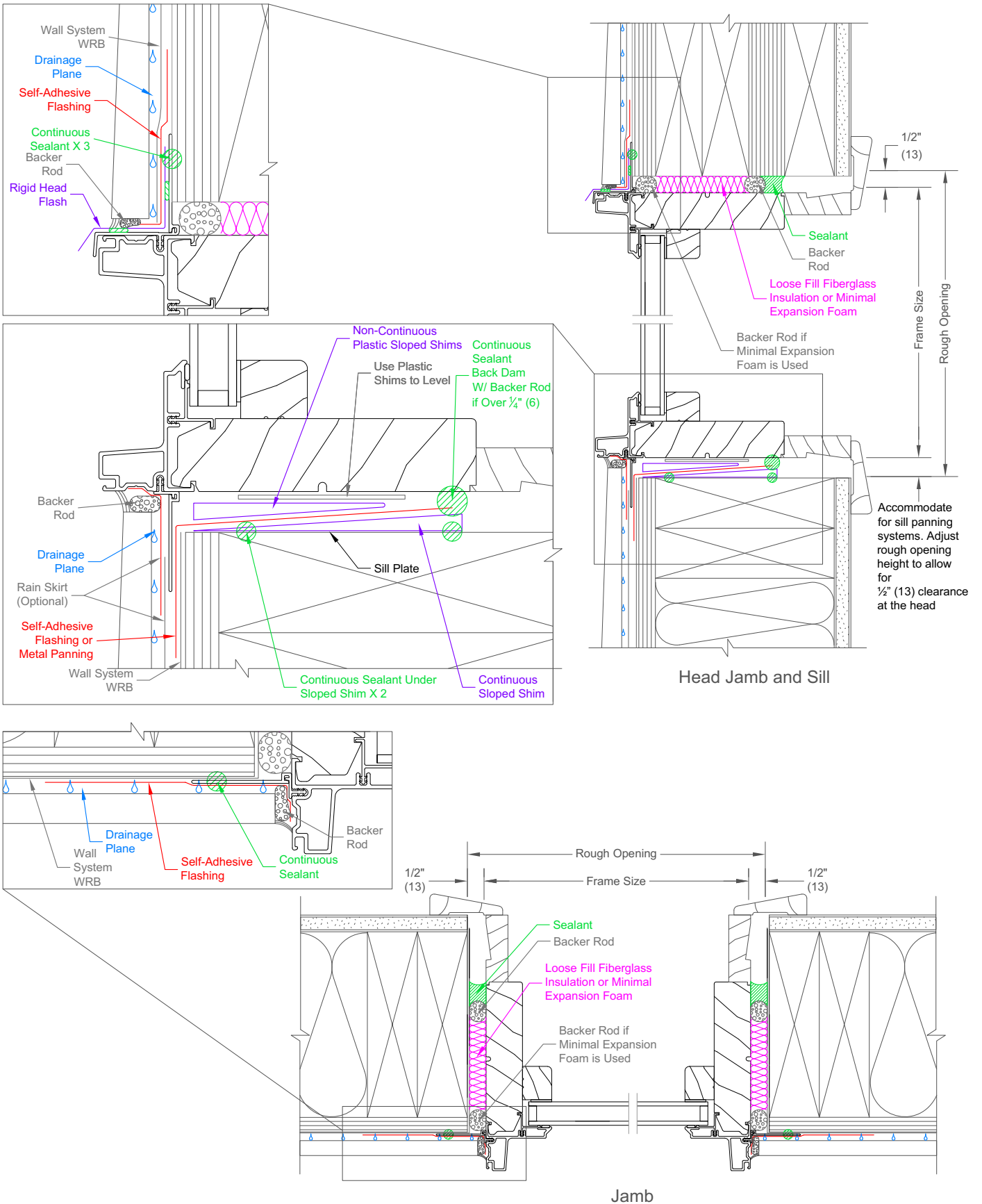
NOTE: Details shown not typical and subject to change without notice. Always refer to your local code for proper construction and rough opening preparation.

***Important!** Details are shown with small spaces between items for clarity, visualization, and illustrative purposes. Actual assembly details may vary. Contact Marvin Architectural for project specific aids.*

Step by step instructions with color illustrations on Marvin's recommended rough opening preparation can be found at <http://www.marvin.com/roprep/>

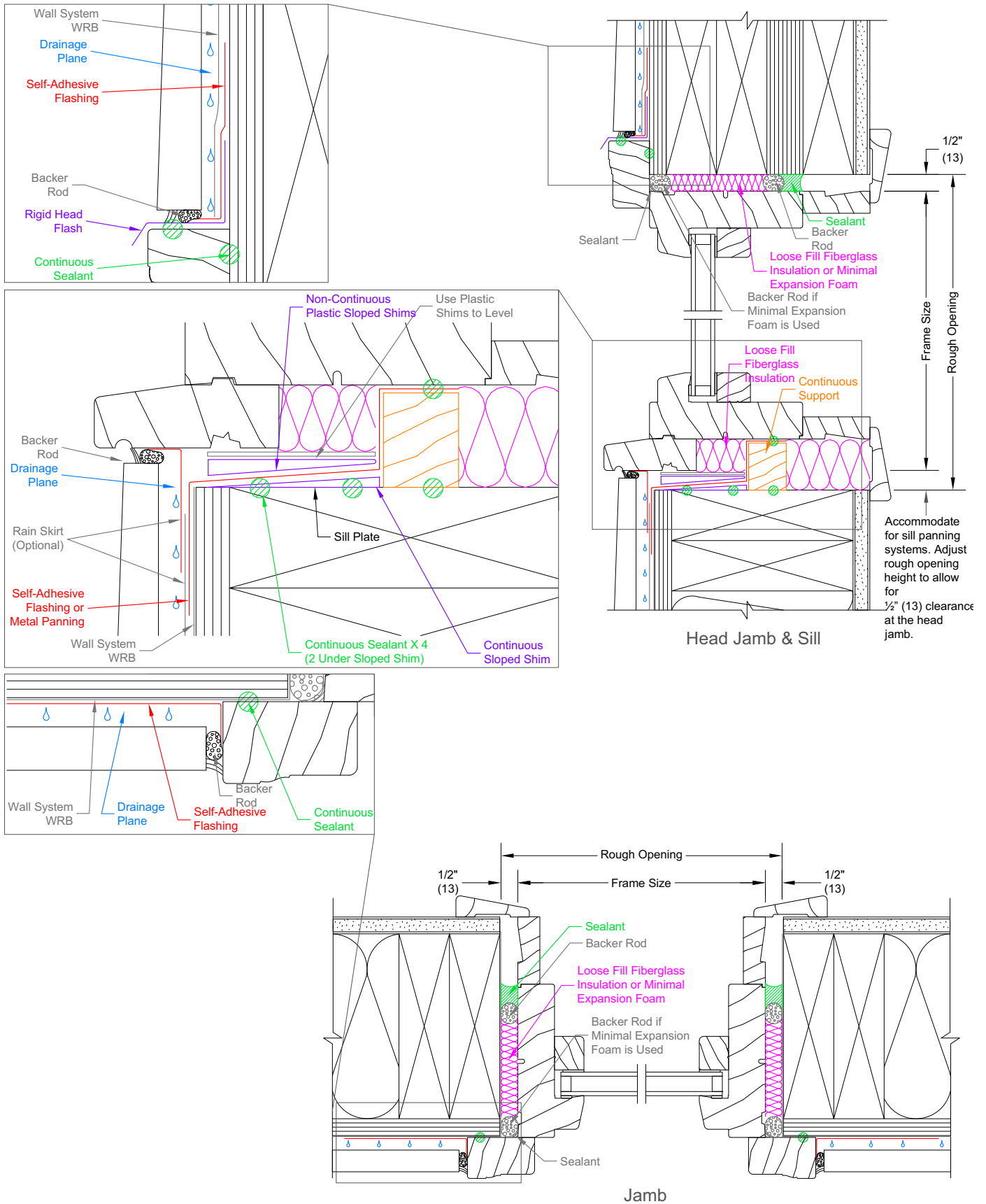
Ultimate Direct Glaze Polygon - 2x6 Frame Wood Siding

Scale: 3" = 1"0"



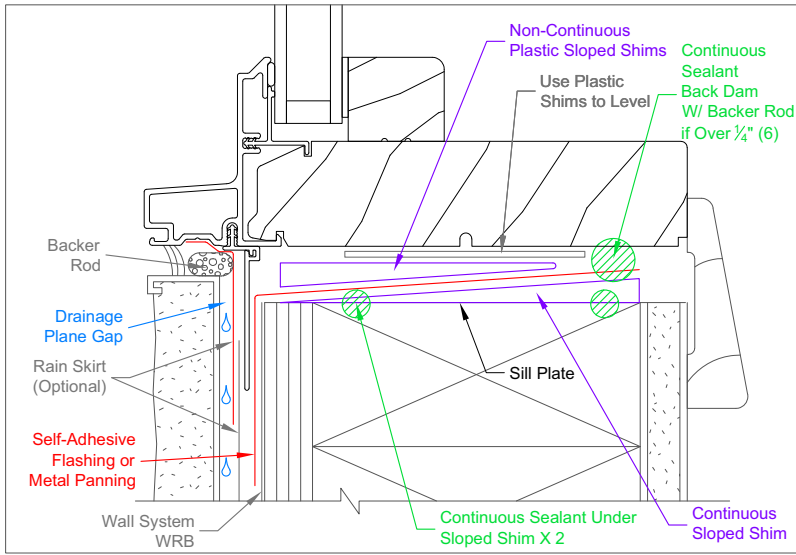
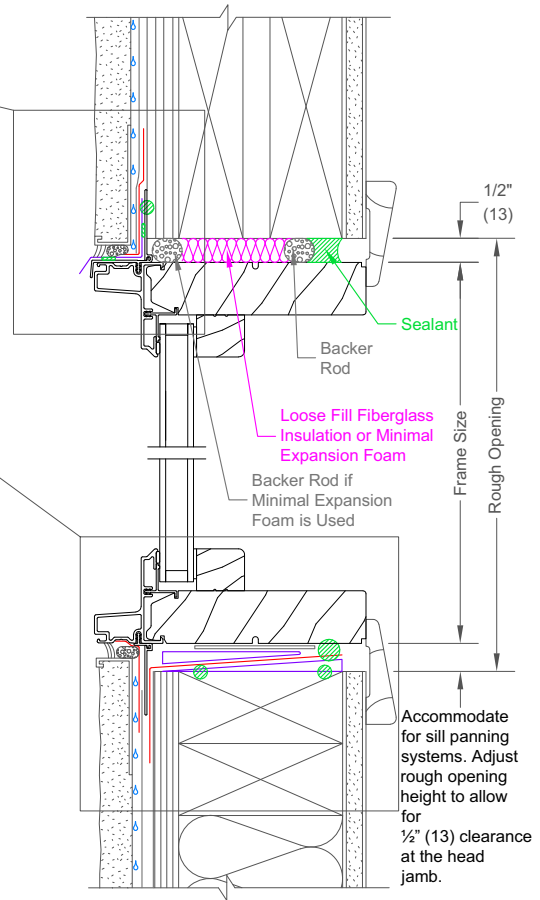
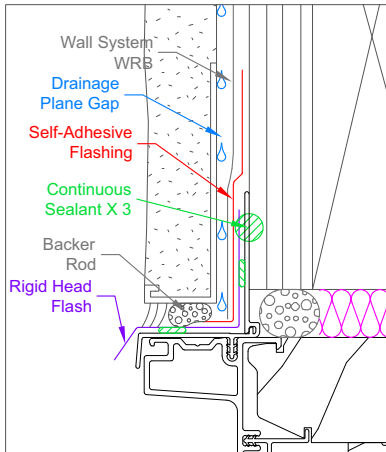
Ultimate Wood Direct Glaze Polygon - 2x6 Frame with Wood Siding

Scale: 3" = 1"0"

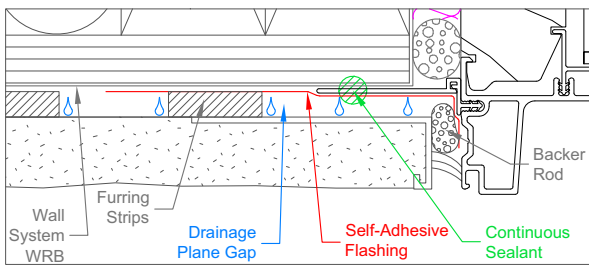


Ultimate Direct Glaze Polygon - 2x4 Frame with Stucco

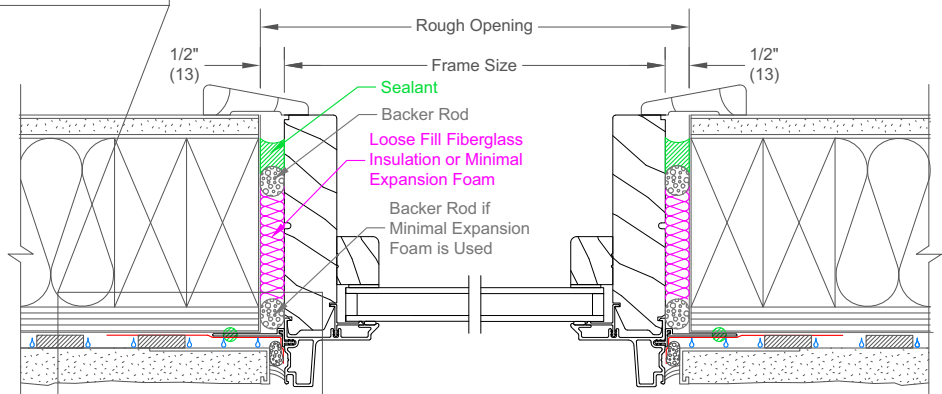
Scale: 3" = 1'0"



Head Jamb and Sill



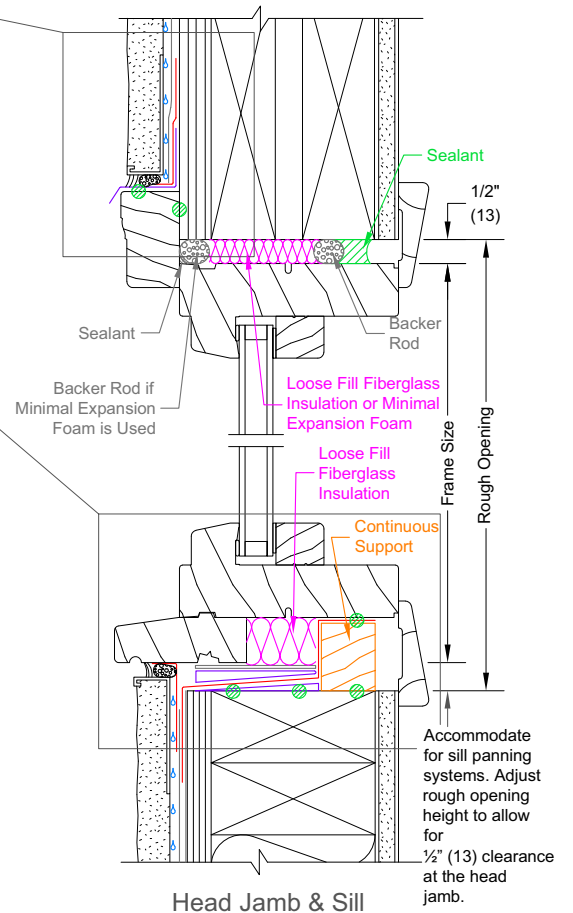
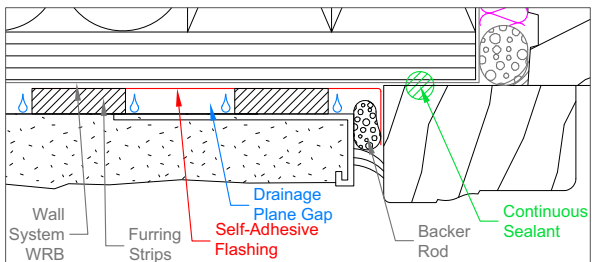
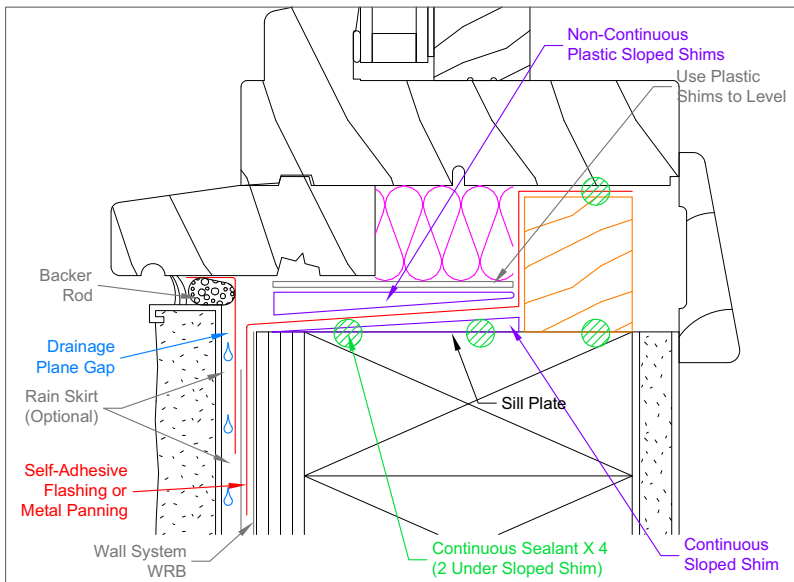
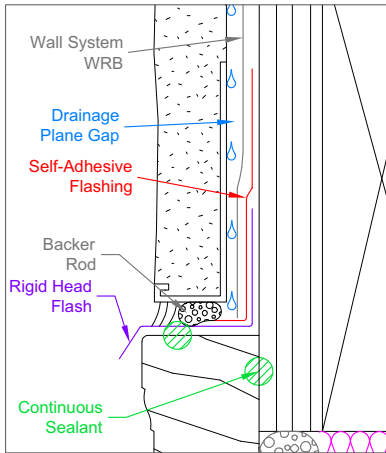
NOTE: Engineered water management stucco product. See stucco manufacture for specific details required by water management system.



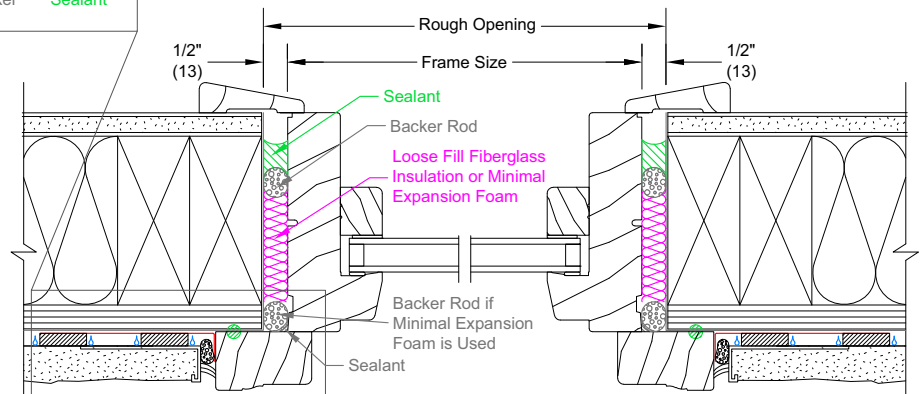
Jamb

Ultimate Wood Direct Glaze Polygon - 2x4 Frame with Stucco

Scale: 3" = 1'0"



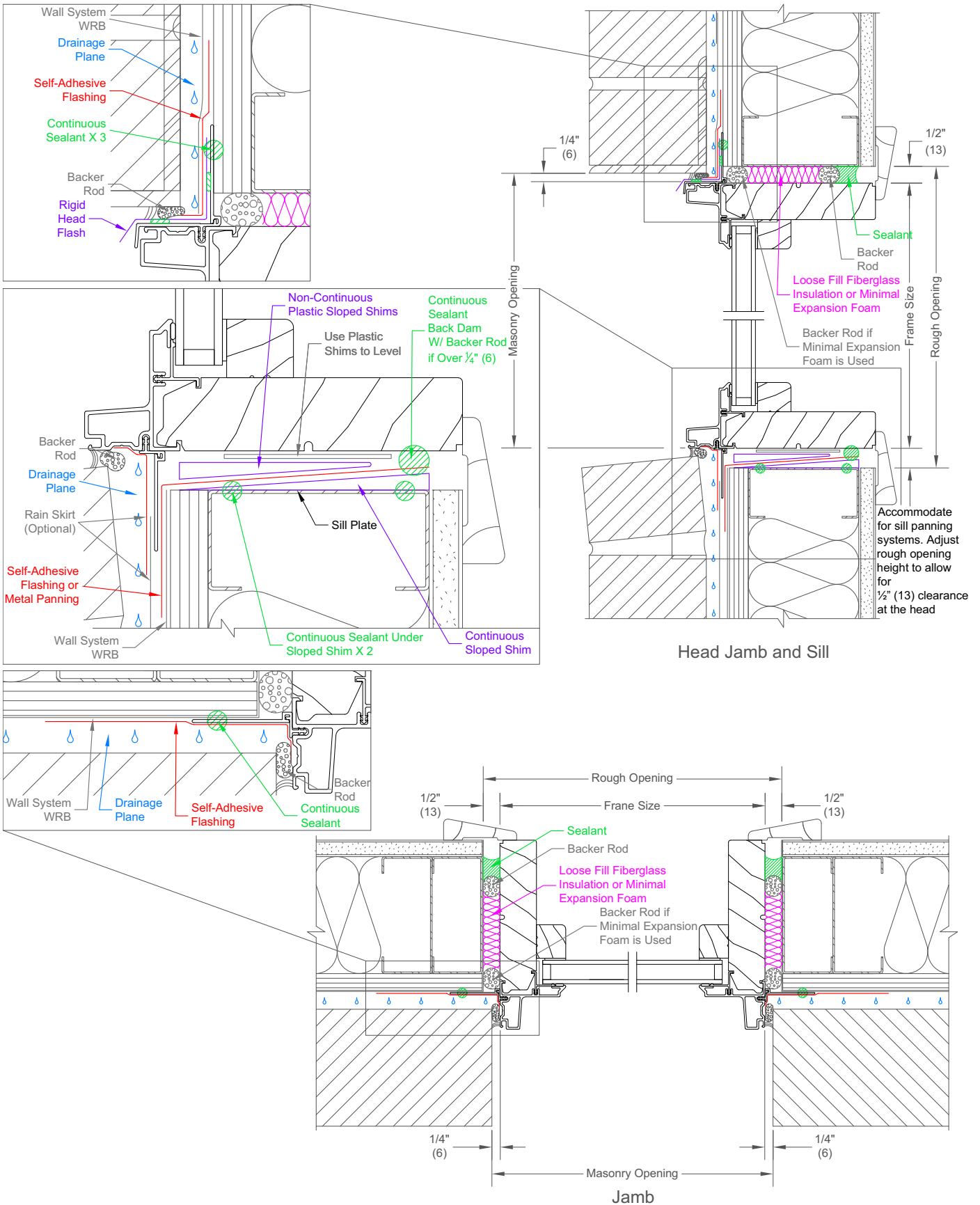
Head Jamb & Sill



Jamb

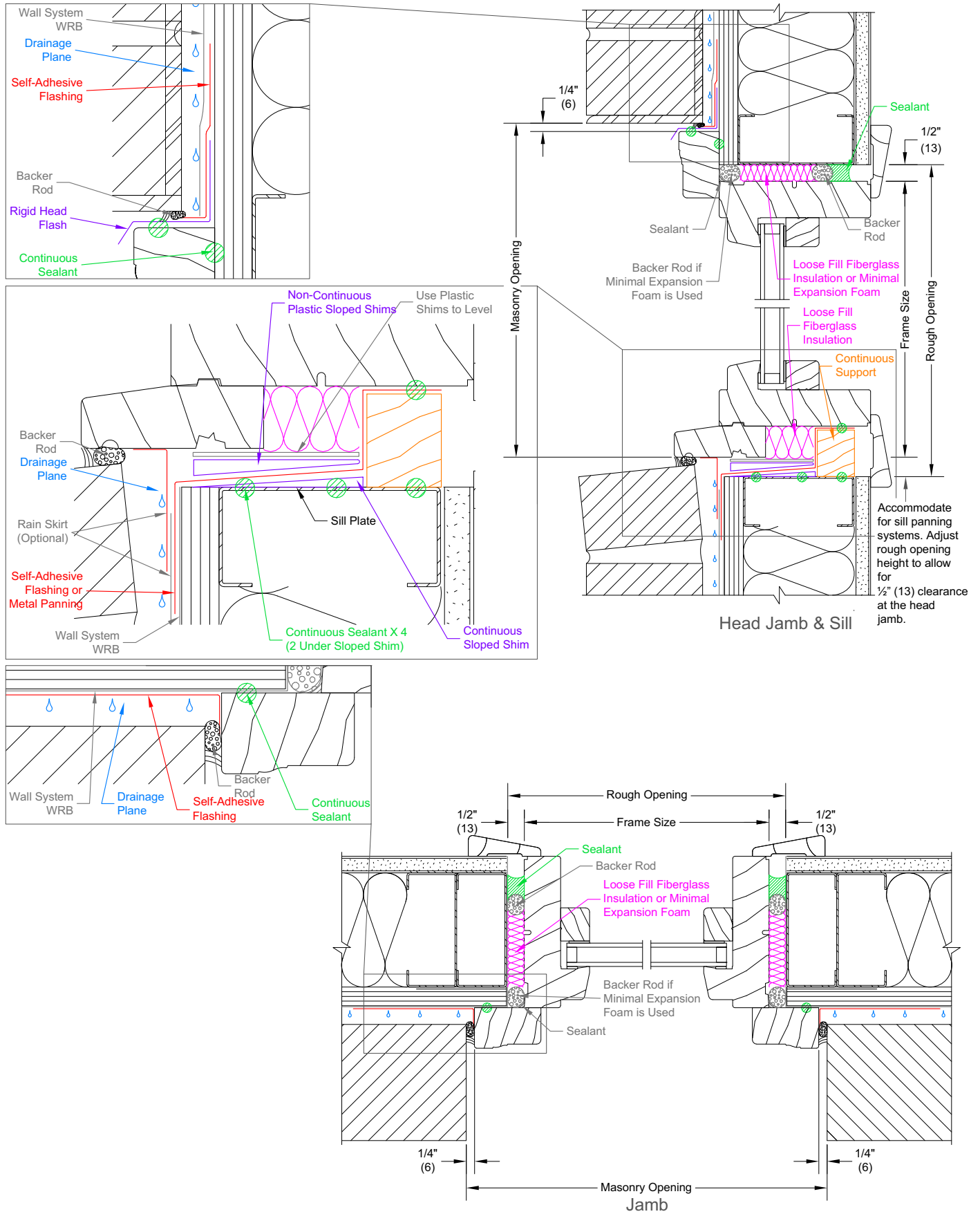
Ultimate Direct Glaze Polygon - 2x4 Steel Stud with Brick Veneer

Scale: 3" = 1'0"



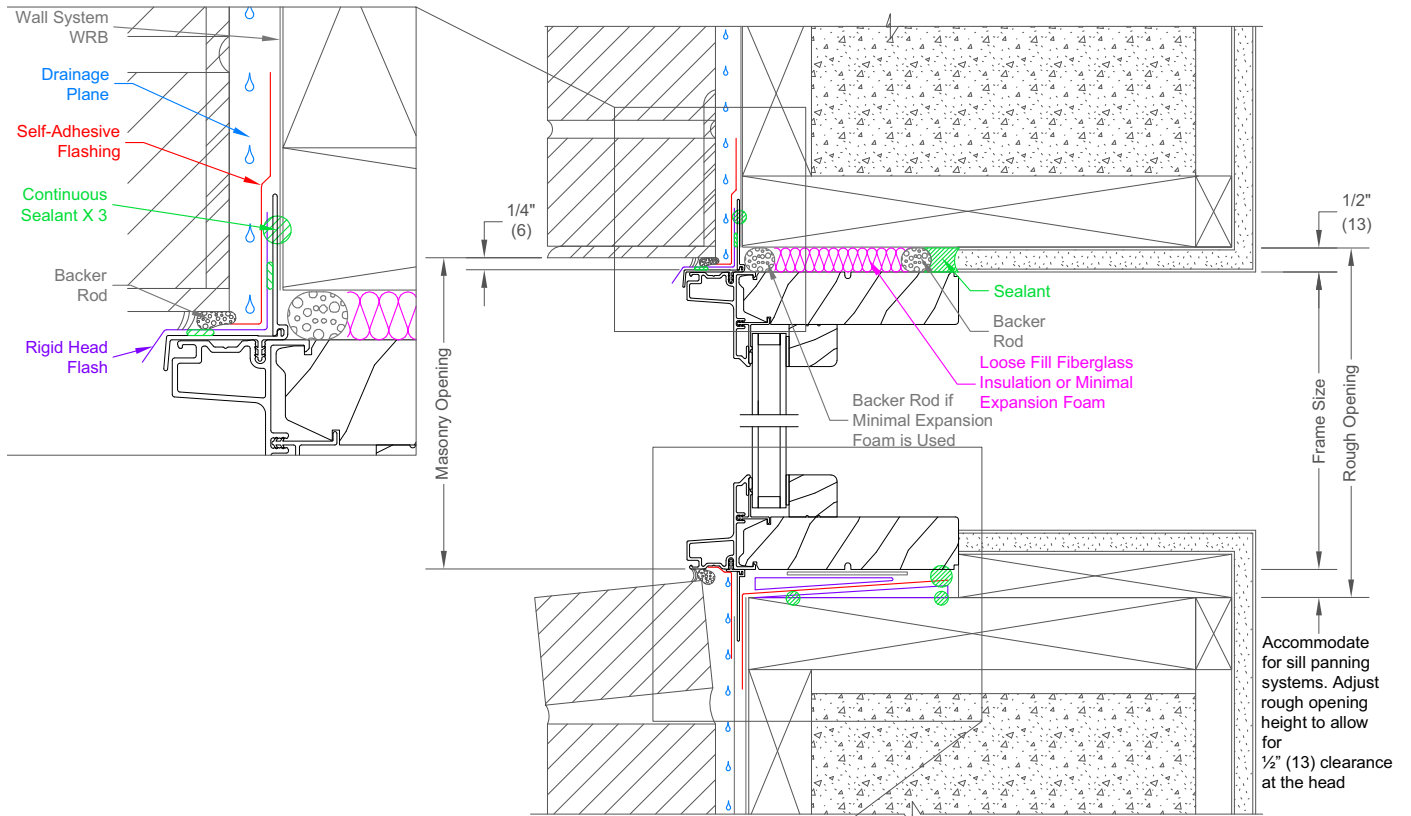
Ultimate Wood Direct Glaze Polygon - 2x4 Steel Stud with Brick Veneer

Scale: 3" = 1'0"

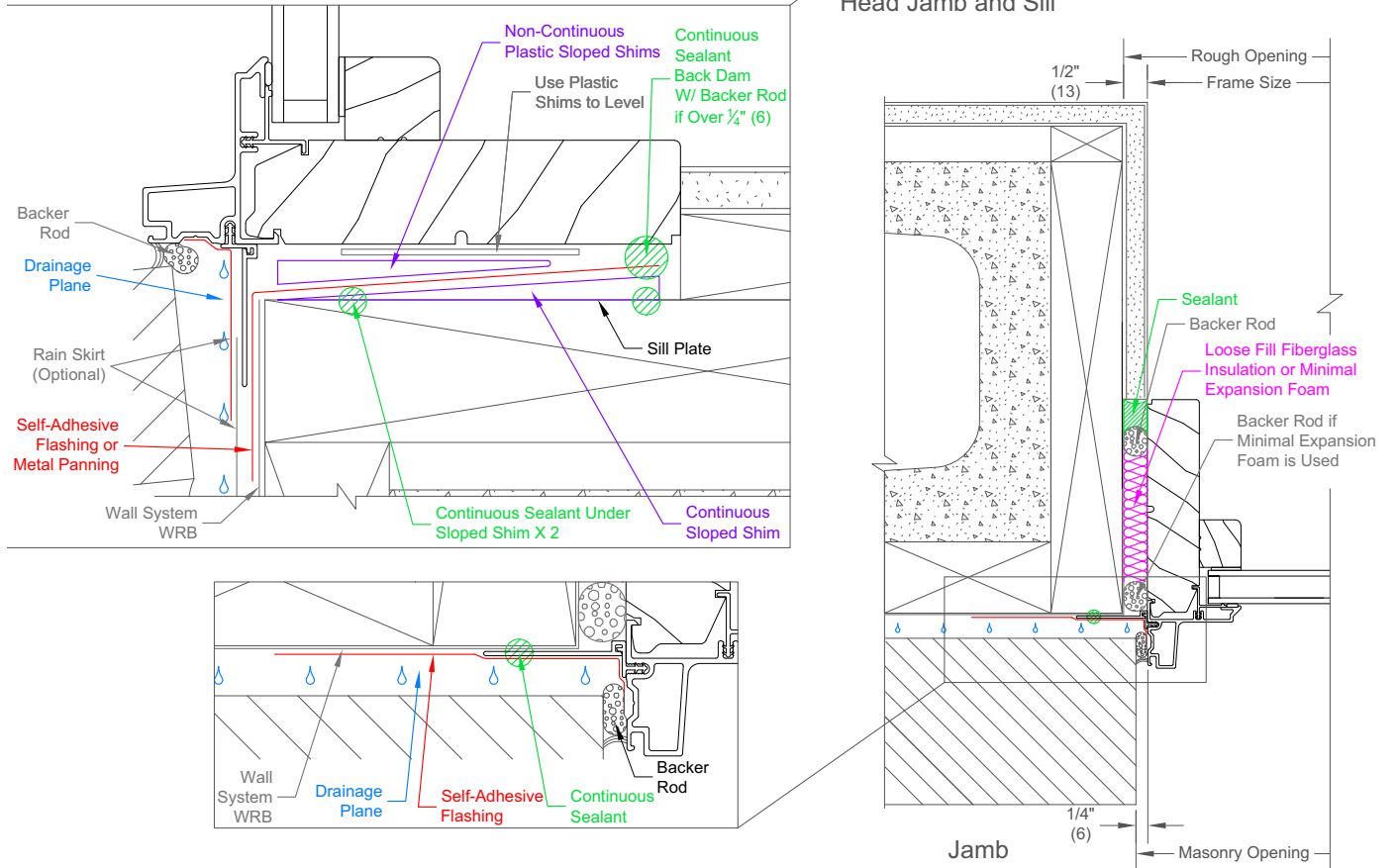


Ultimate Direct Glaze Polygon - Concrete Block with Brick Veneer

Scale: 3" = 1'0"

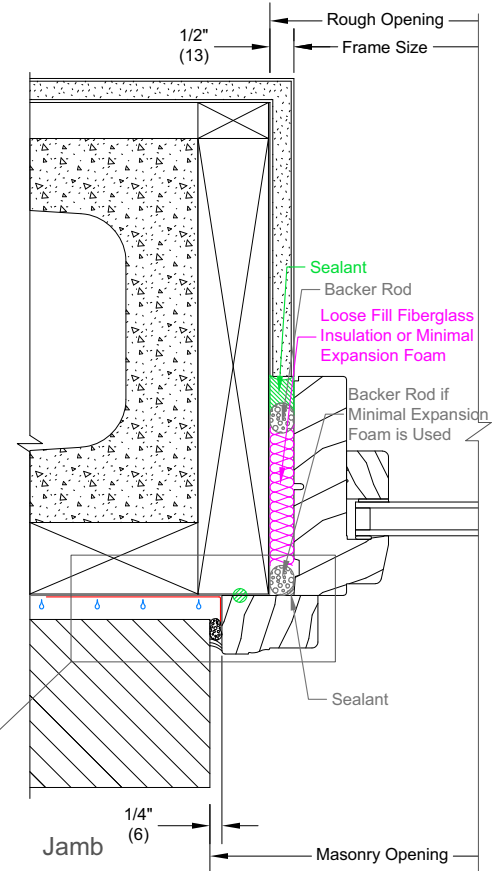
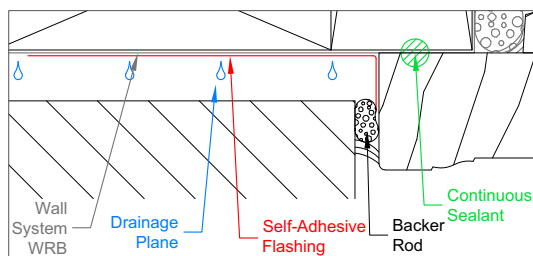
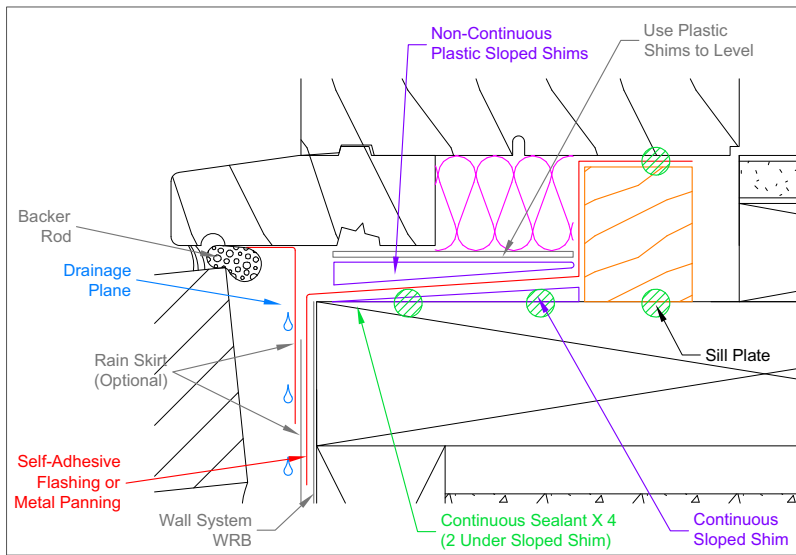
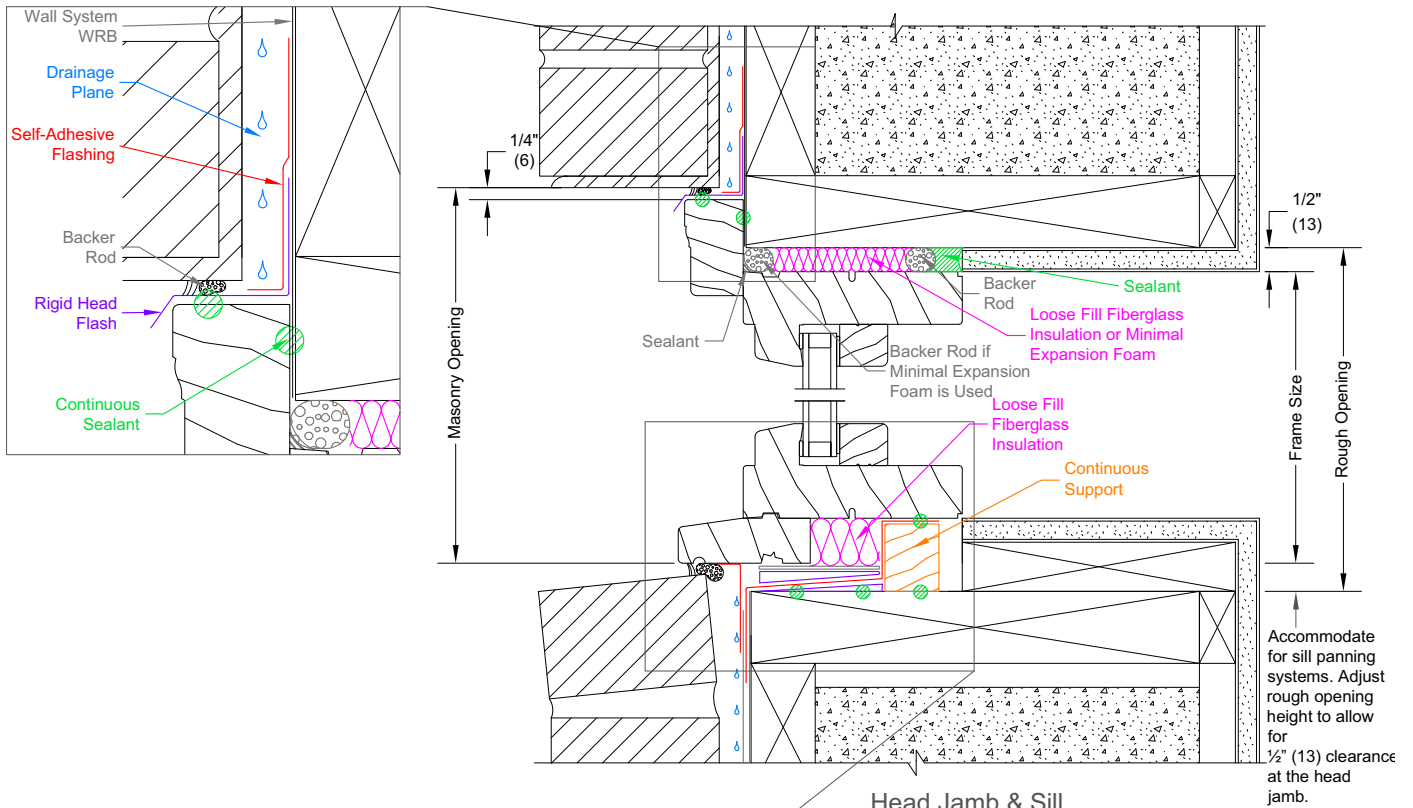


Head Jamb and Sill



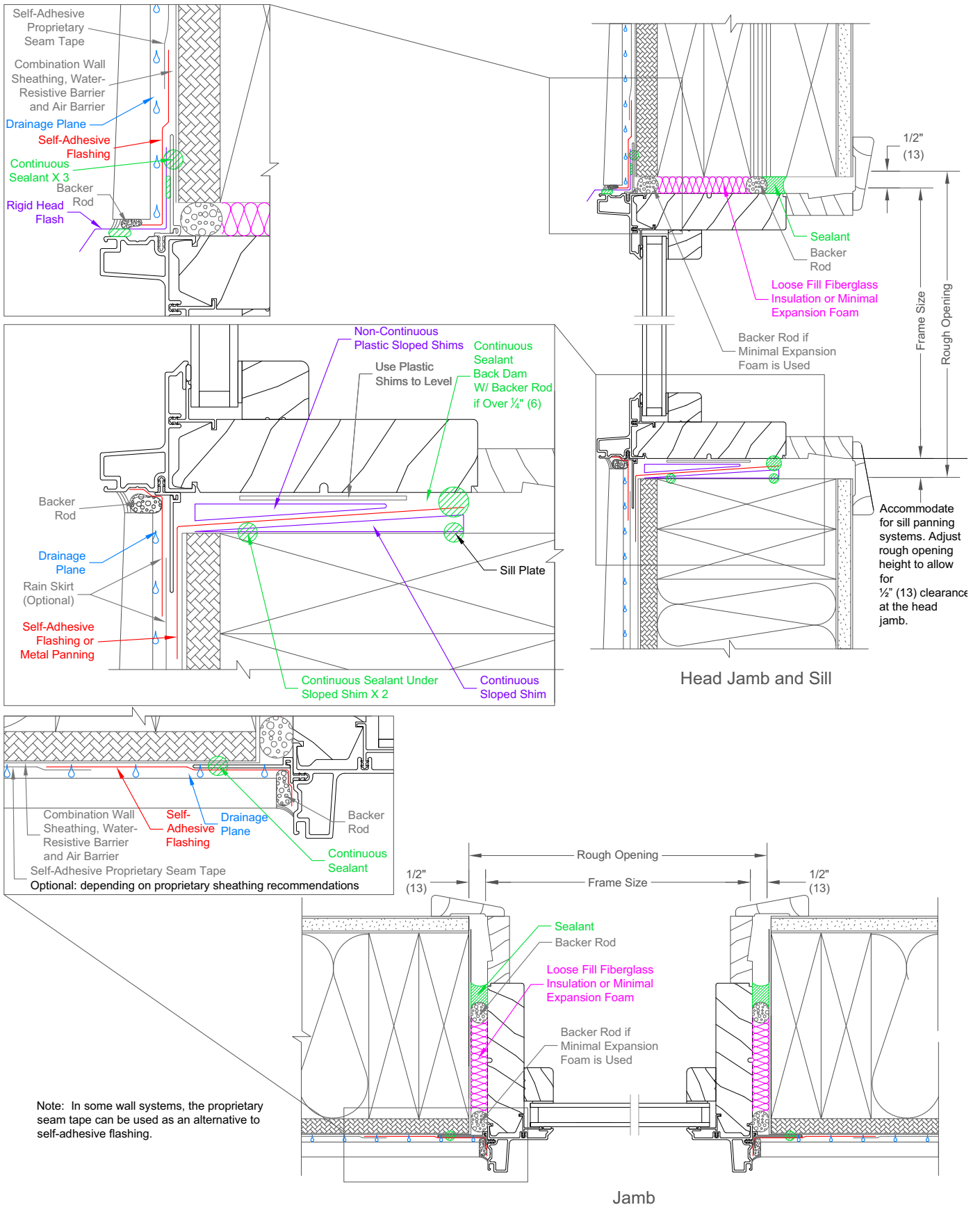
Ultimate Wood Direct Glaze Polygon - Concrete Block with Brick Veneer

Scale: 3" = 1'0"



Ultimate Direct Glaze Poly - Wood Siding Combination Wall Sheathing, WRB and Air Barrier

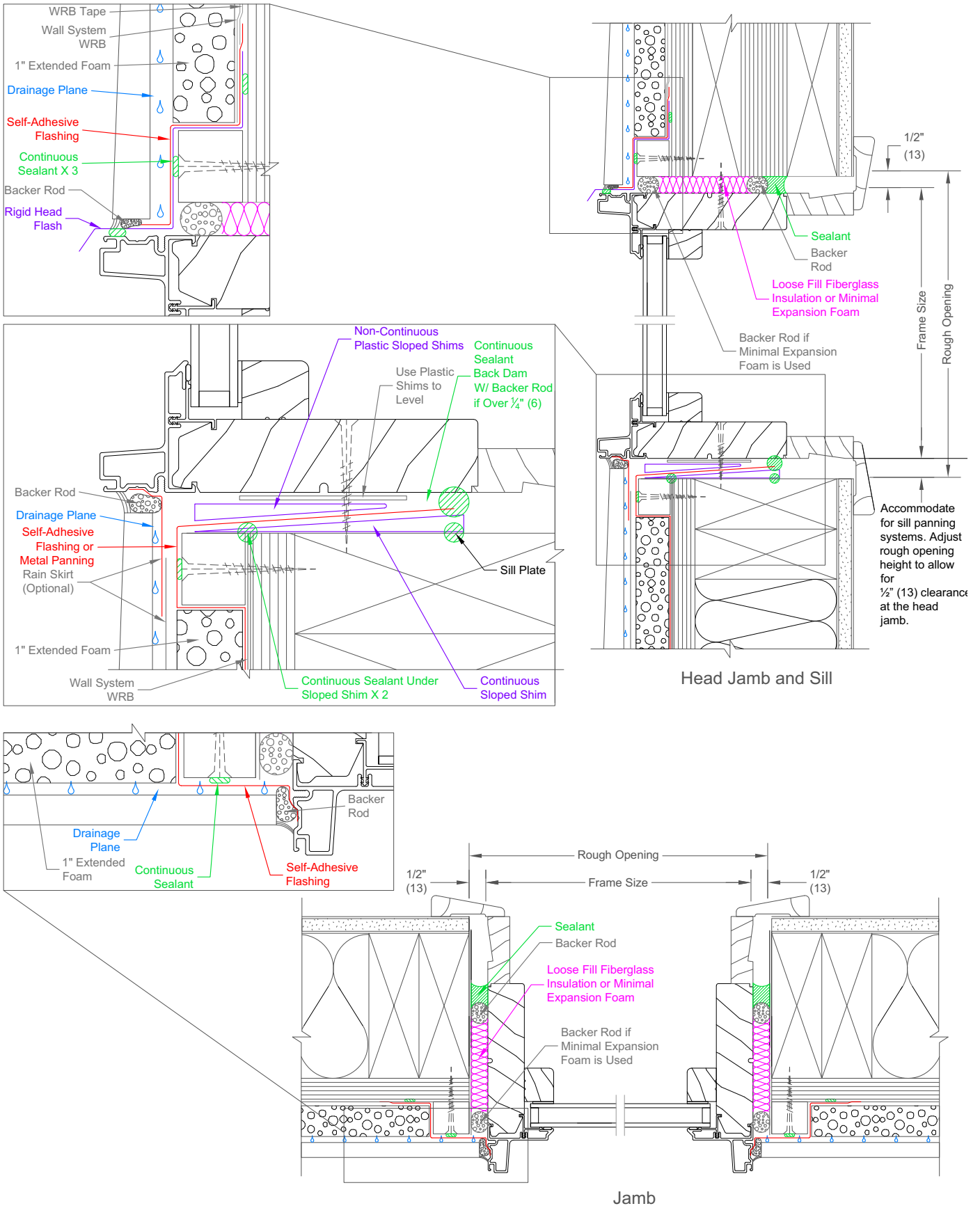
Scale: 3" = 1'0"



Note: In some wall systems, the proprietary seam tape can be used as an alternative to self-adhesive flashing.

Ultimate Direct Glaze Polygon - Foam Plastic Insulated Sheathing (FPIS) over WRB

Scale: 3" = 1'0"

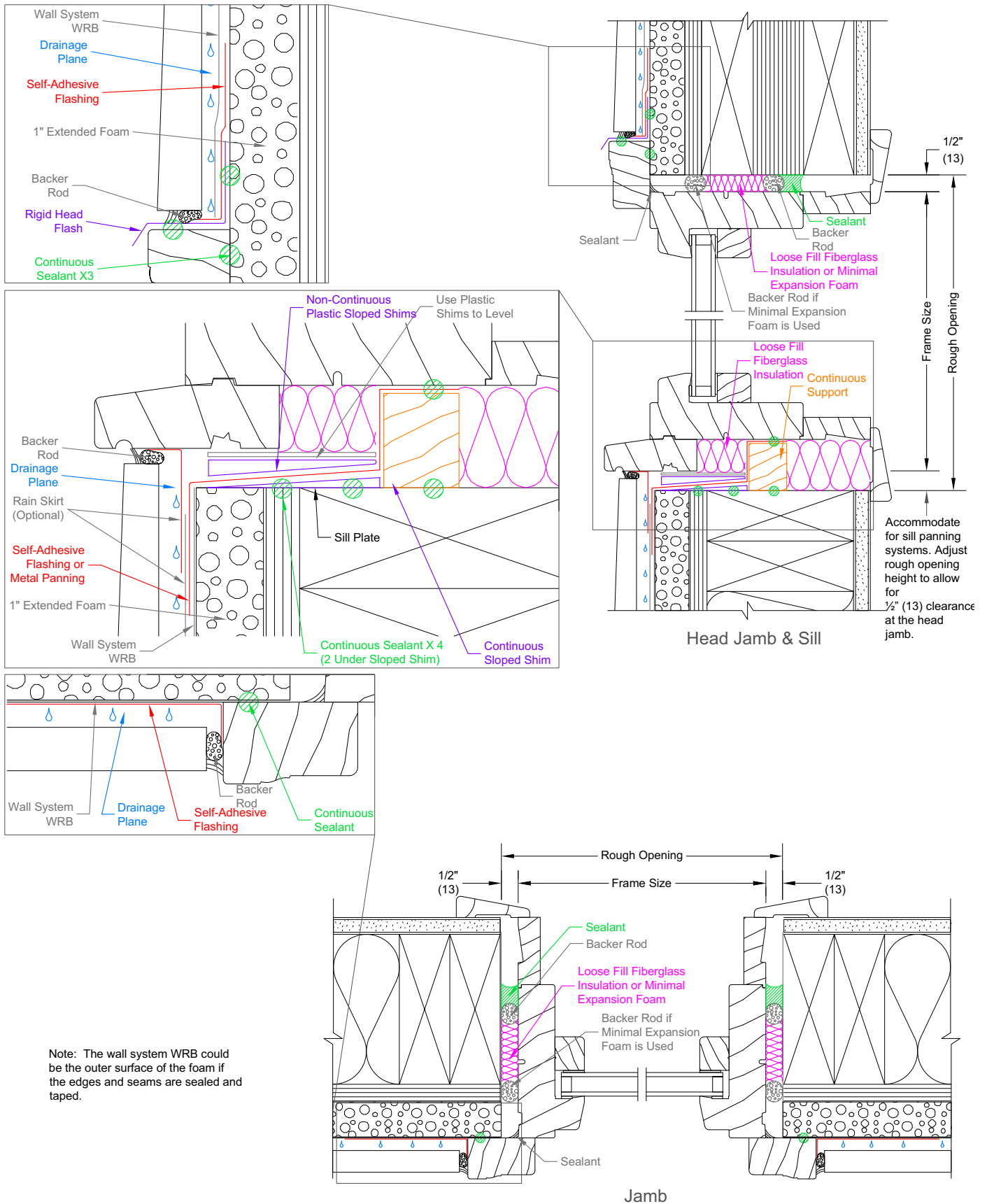


Head Jamb and Sill

Jamb

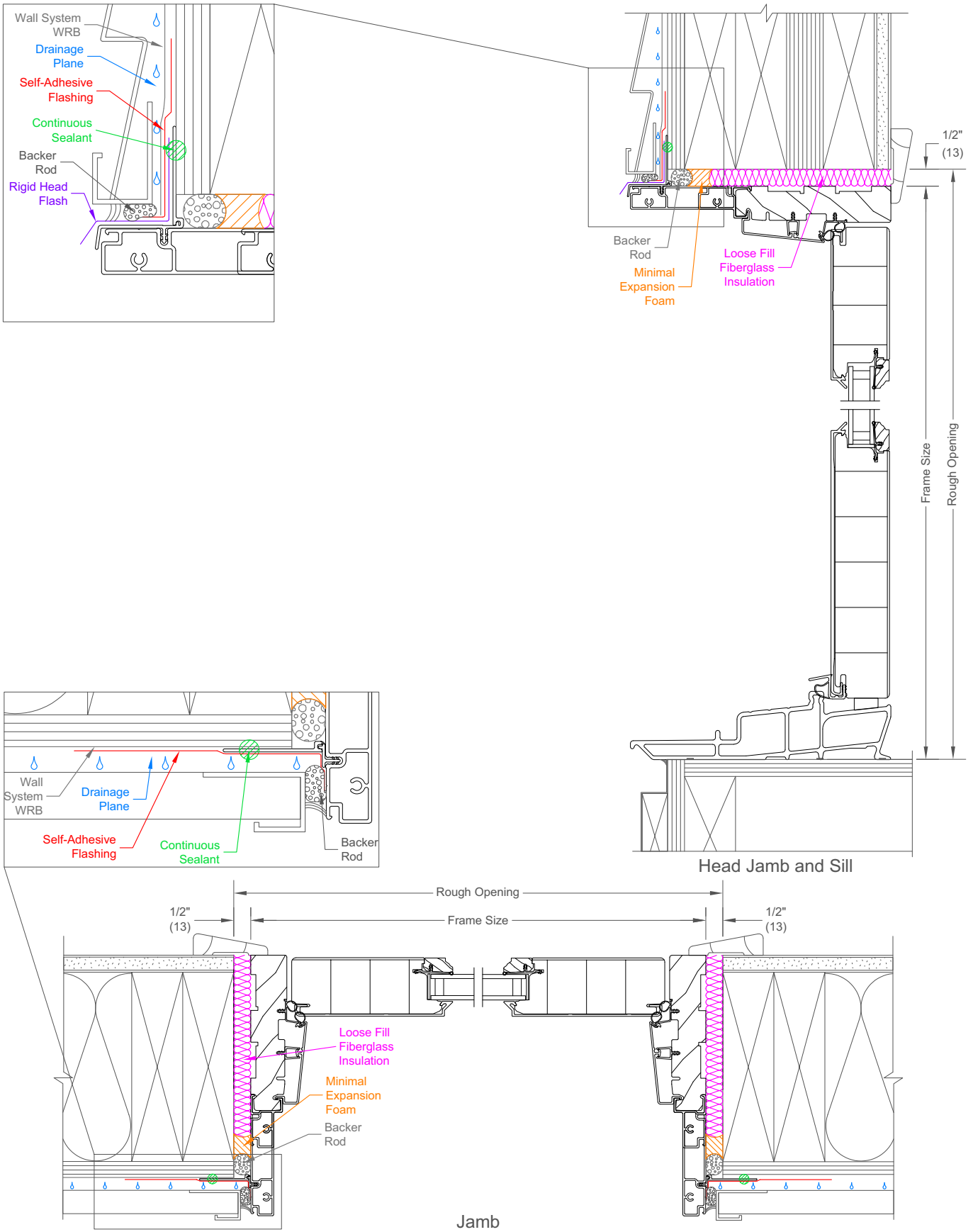
Ultimate Wood Direct Glaze Polygon - Foam Plastic Insulated (FPIS) under WRB

Scale: 3" = 1'0"



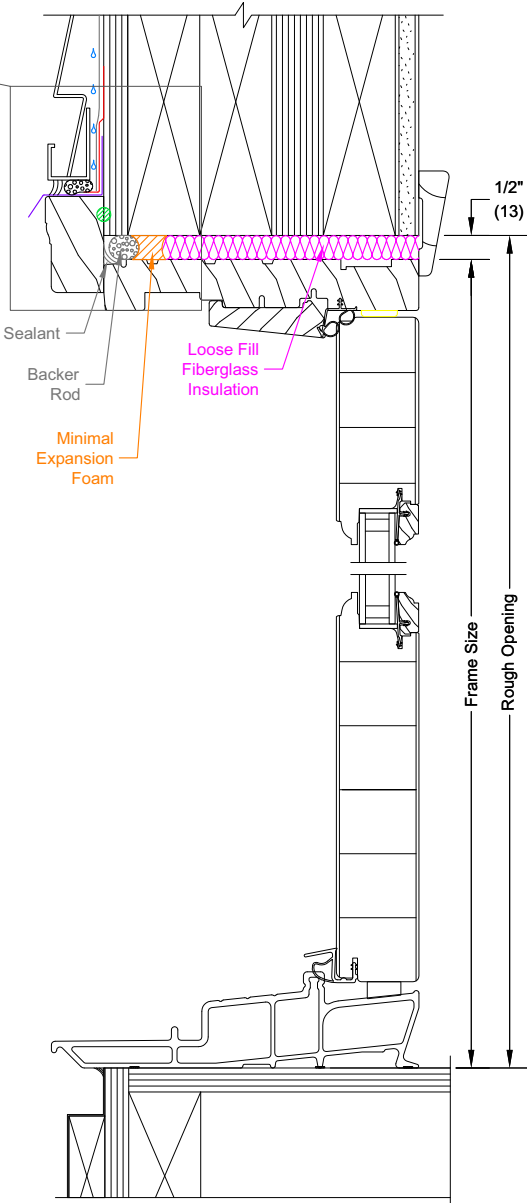
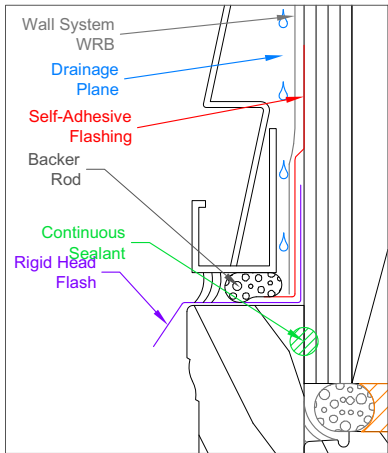
Ultimate Inswing French Door - Frame with Steel Siding

Scale: 3" = 1"0"

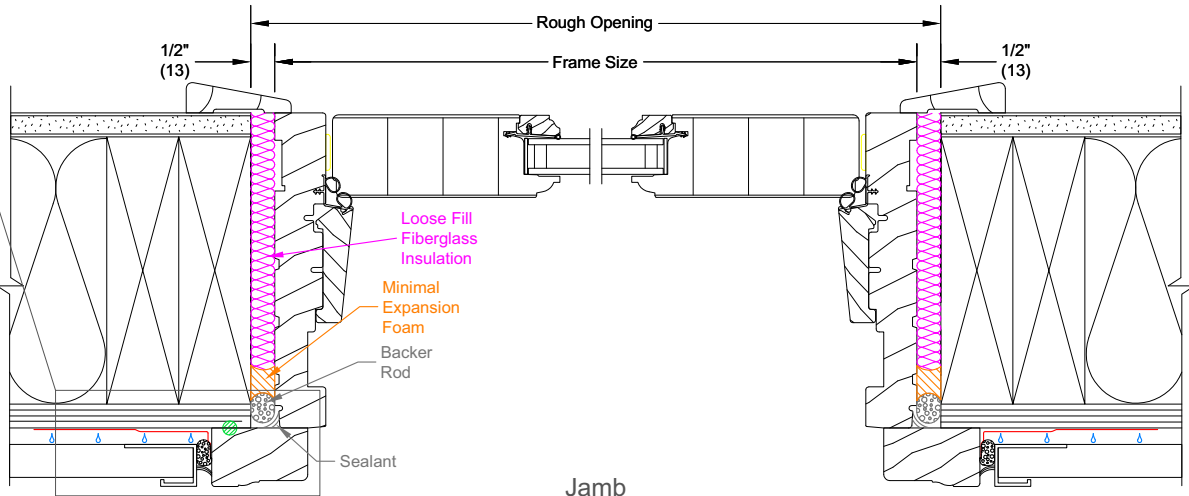
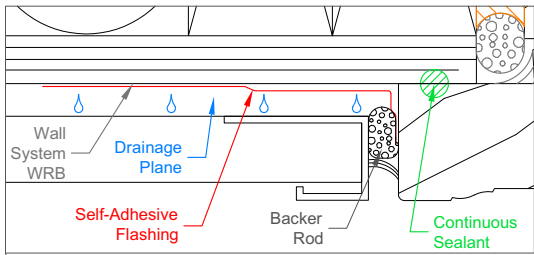


Ultimate Wood Inswing French Door - 2x6 Frame with Steel Siding

Scale: 3" = 1'0"

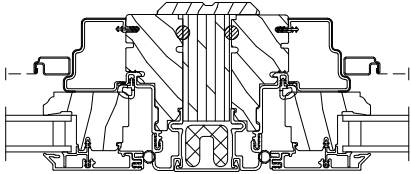


Head Jamb and Sill

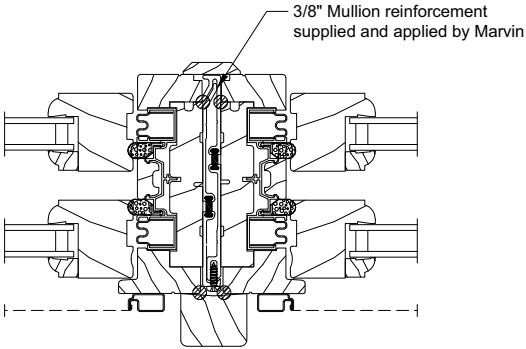


Jamb

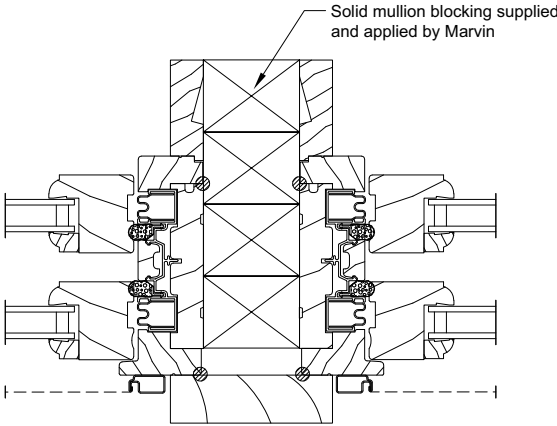
Structural Support Options



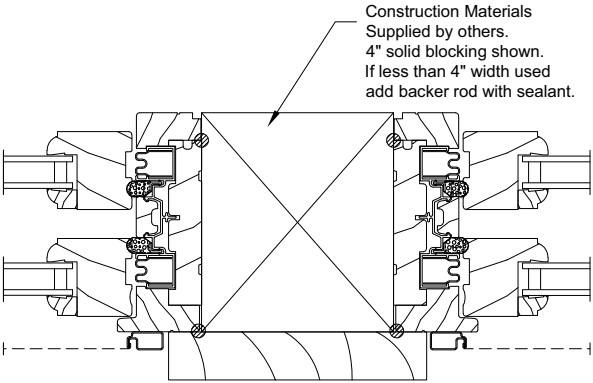
LVL Vertical Mullion



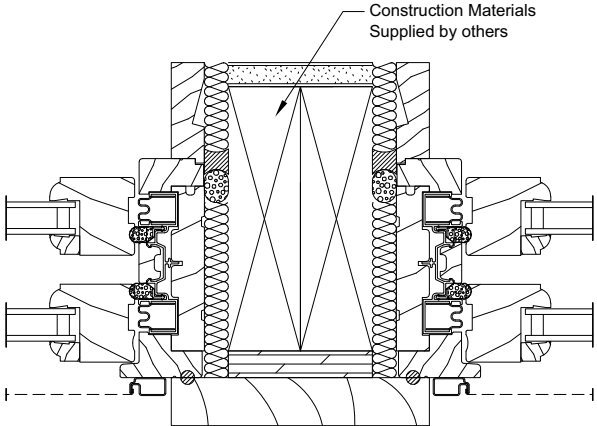
3/8" Vertical Mullion








Solid Wood blocking Vertical Mullion



4" Space Vertical Mullion detail
With 4 9/16" Jamba



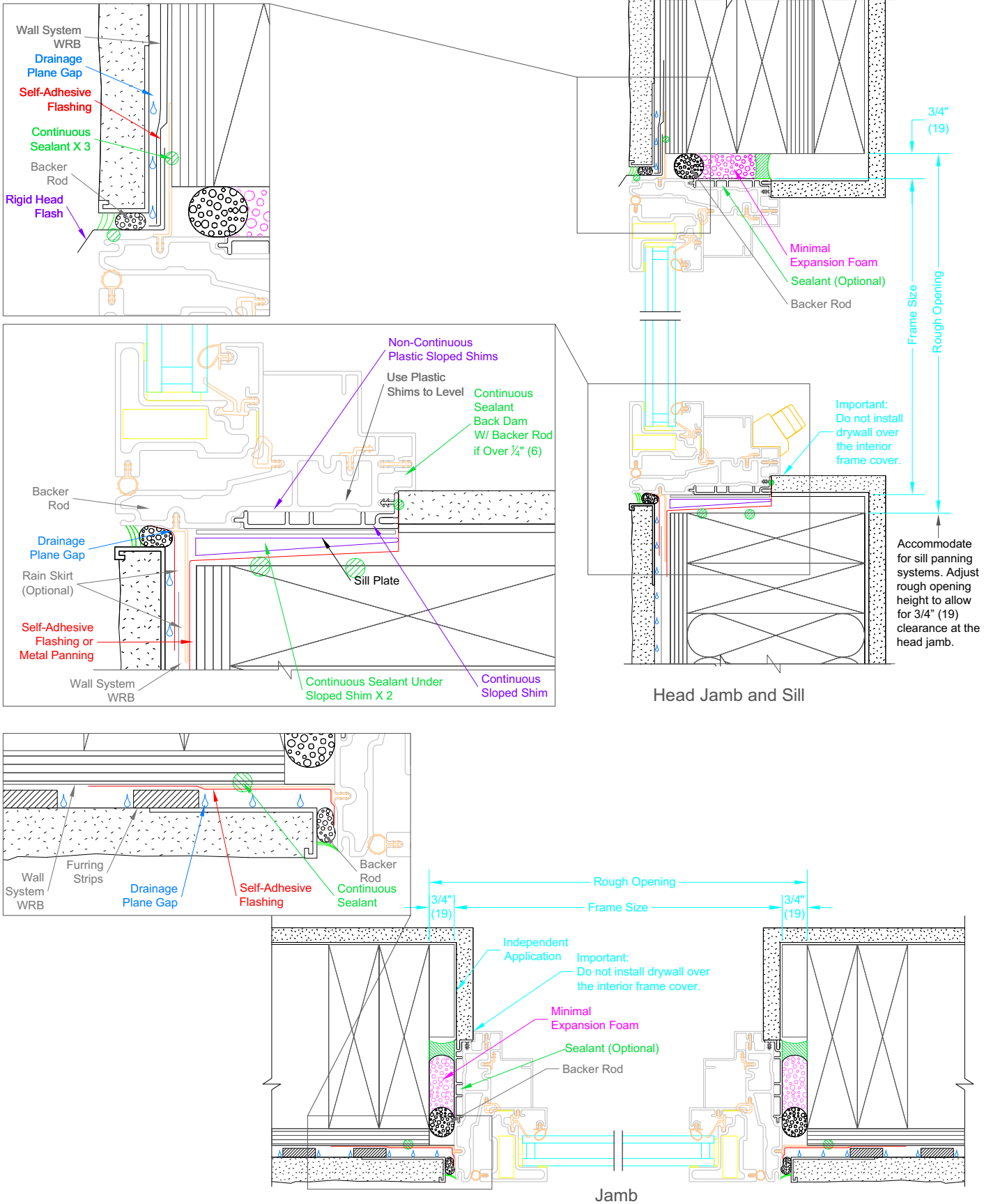
4" Stud Pocket mullion detail
With 6 9/16" Jamba

-  Continuous Sealant
-  Loose Fill Fiberglass
-  Insulation
-  Backer Rod
-  Adhesive Flash

NOTE: For structural support options, please contact your Marvin representative

Modern Casement - 2x6 Frame with Stucco

Scale: 3" = 1'0"



Head Jamb and Sill

Jamb

Modern Casement - 2x6 Frame with Wall Sheathing

Scale: 3" = 1'0"

