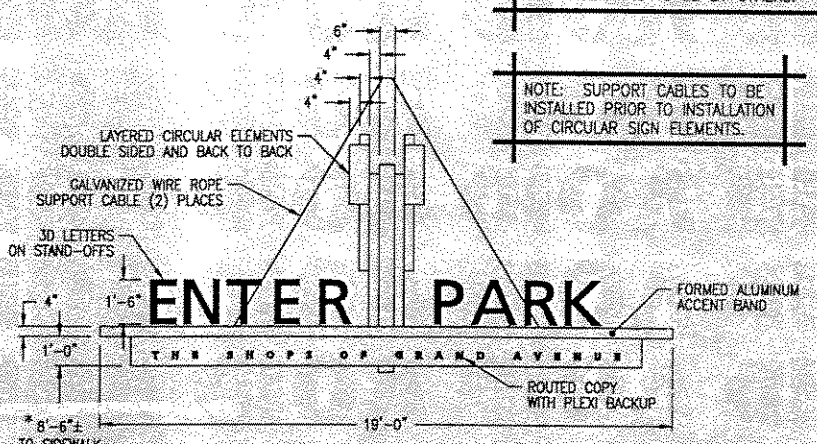


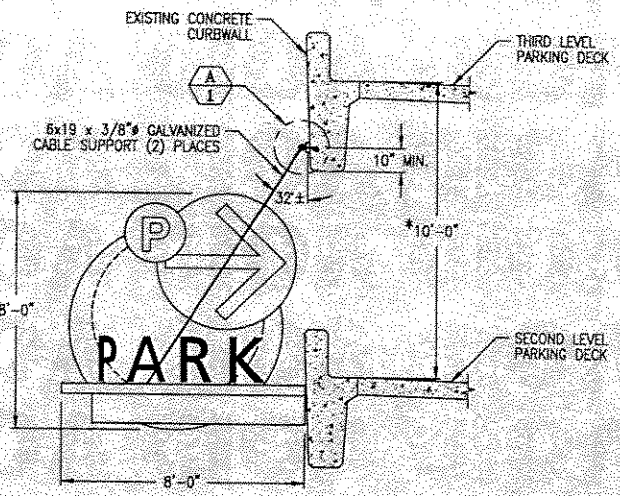
SIGN PLAN

DESIGN AND ILLUMINATION OF CABINET AND RACEWAY IS TO BE BY OTHERS.

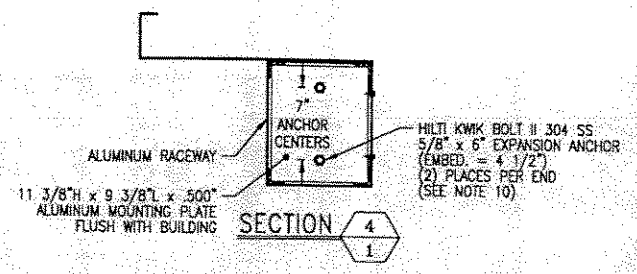
NOTE: SUPPORT CABLES TO BE INSTALLED PRIOR TO INSTALLATION OF CIRCULAR SIGN ELEMENTS.



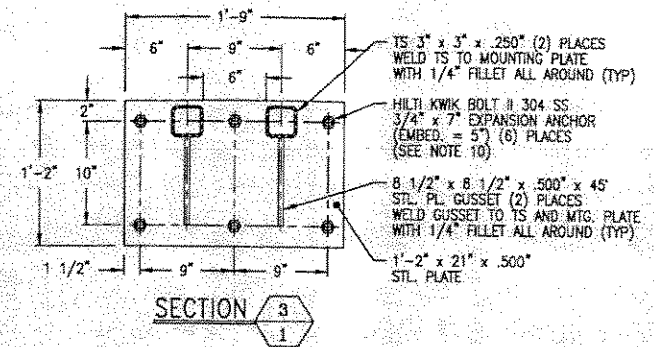
FRONT ELEVATION



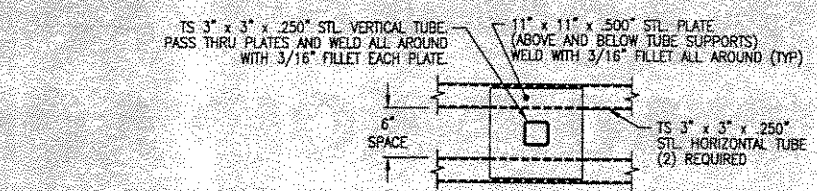
RIGHT PROFILE



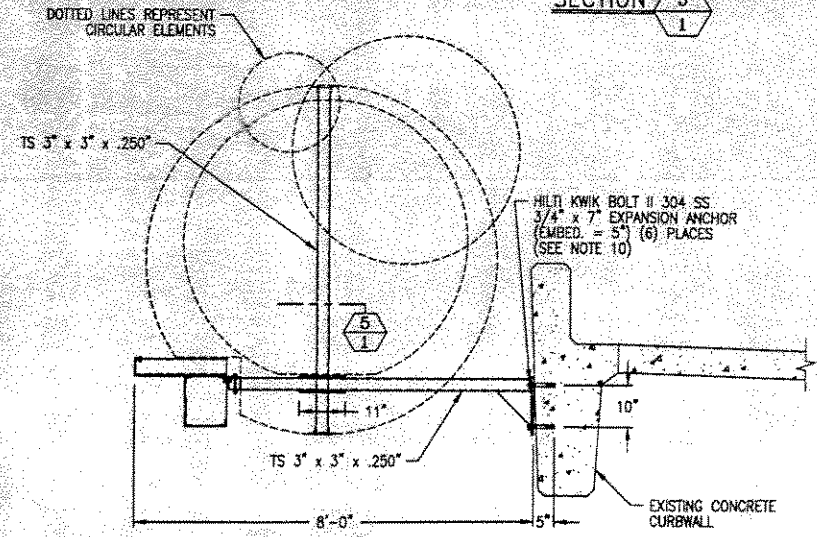
SECTION 4



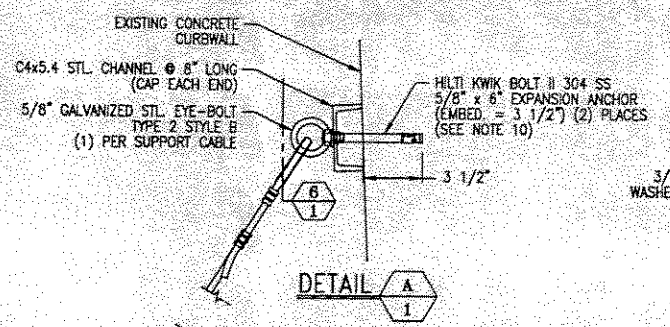
SECTION 3



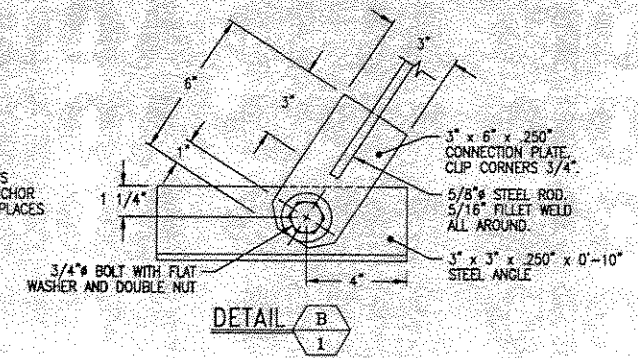
SECTION 5



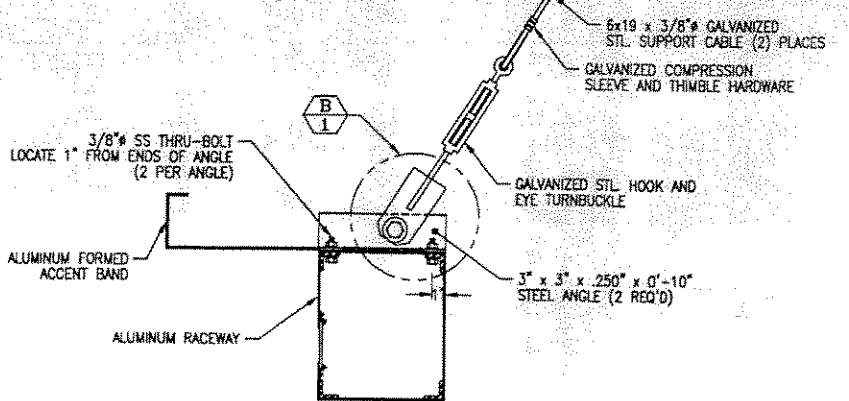
SECTION 1



DETAIL A



DETAIL B



SECTION 2

* FIELD DIMENSIONS PROVIDED BY OTHERS

NOTES

- DO NOT GUESS. DIRECT ALL QUESTIONS CONCERNING THIS DESIGN TO ELROD & COMPANY, LLC (615-890-9405).
- DO NOT SCALE THIS DRAWING.
- GRAPHICS ARE NOT TO BE REPRODUCED FROM THIS DRAWING.
- STRUCTURAL TUBING SHALL CONFORM TO A.S.T.M. A-500 GRADE B (Fy = 46 KSI).
- STRUCTURAL STEEL PLATES AND RODS SHALL CONFORM TO A.S.T.M. A-36 (Fy = 36 KSI).
- ALL WELDING SHALL CONFORM TO RECOMMENDATIONS AS PUBLISHED BY THE AMERICAN WELDING SOCIETY D1.1.
- STRUCTURAL STEEL SHALL BE FABRICATED & ERECTED ACCORDING TO LATEST A.I.S.C. SPECS & STANDARD PRACTICES.
- INSTALLER SHALL VERIFY ALL DIMENSIONS AND CONDITIONS IN THE FIELD AND NOTIFY THE ENGINEER OF ANY DISCREPANCIES.
- SEPARATE ALL DISSIMILAR METALS WITH BITUMINOUS PAINT TO PREVENT GALVANIC ACTION.
- DO NOT DRILL THROUGH REBAR IN CONCRETE WALL.
- ALL WALL ANCHORS MUST BE 304 STAINLESS STEEL.
- USE E70XX (LOW HYDROGEN) WELD RODS FOR ALL STRUCTURAL STEEL WELDING.
- ALL BOLTS SHALL BE A.S.T.M. A307 OR EQUAL.
- ALL EXPOSED STEEL PIPES OR TUBES SHALL BE CAPPED.
- ALL SIGNS MUST BE PERMANENTLY GROUNDED.
- SUPPORT CABLES SHALL BE 6x19 x 3/8" DIA. GALV. WIRE ROPE WITH A BREAKING STRENGTH OF 10,980 LBS.
- ALL TURNBUCKLES SHALL BE RATED TO MATCH WIRE ROPE.
- ALL SUPPORT CABLE HARDWARE SHALL BE GALVANIZED.
- ALL STEEL TO BE PRIMED AND PAINTED PRIOR TO INSTALLATION.

DESIGN CRITERIA

IBC 2000
 EXPOSURE = C
 WIND SPEED = 90 MPH
 WIND = 22 PSF
 SNOW = 30 PSF

MICHAEL'S SIGNS, INC.
 3914 S. MEMORIAL DR.
 RACINE, WI. 53408
 TEL. 262-554-6066
 FAX. 262-554-0574

Elrod & Company, LLC
 Corporate Sign Program Management and Engineering
 1509 Sarah Court, Murfreesboro, TN 37129
 EAC 100-z265

INSTALLATION DRAWING

**CUSTOM BUILDING MARQUEE
 WALL MOUNTED SIGN**

THIS STRUCTURE MOUNTING CONNECTION HAS BEEN DESIGNED BY THE PROFESSIONAL ENGINEER WHOSE REGISTRATION SEAL APPEARS THEREON FOR USE ONLY AT THE FOLLOWING SITE OF INSTALLATION.

FACILITY REFERENCE: 100z265
 STREET: WISCONSIN & 2nd STREET
 CITY, STATE: MILWAUKEE, WISCONSIN

RJ
 03-05-04

DWG. NO. SC100X265	1 OF 1
DATE: 03/05/2004	DATE: 03/05/2004
REVISIONS	DATE DWN CND

THE GRAND AVENUE ALTA/ACSM LAND TITLE SURVEY

SEE PAGE 1 OF 2 FOR LEGAL DESCRIPTION AND NOTES

