



LIVING WITH HISTORY

Certificate of Appropriateness

Milwaukee Historic Preservation Commission/200 E. Wells Street/Milwaukee, WI 53202/phone 414-286-5712/fax 414-286-3004

Property	102 E. Vine Street	Brewers Hill Historic District
Description of work	Replacement and installation of a new AC unit as shown below. Application will be installing a 24-foot long, 4 feet tall, steel fence and matching gate to the east side of the property.	
Date issued	4/28/2022	PTS ID N/A COA: AC and Fence

In accordance with the provisions of Section 320-21 (11) and (12) of the Milwaukee Code of Ordinances, the Milwaukee Historic Preservation Commission has issued a certificate of appropriateness for the work listed above. The work was found to be consistent with preservation guidelines. The following conditions apply to this certificate of appropriateness:

Sidewall vent pipes for heating equipment must be located through the raised foundation on the rear elevation or as far back as possible on a side elevation that does not face the street. All sidewall vent pipes must be painted out to blend with the color of the surrounding building material. ANY SIDEWALL VENTING MUST BE AT THE REAR OF THE HOUSE OR AS FAR BACK AS POSSIBLE ON A NON STREET-FACING SIDE ELEVATION. REGARDLESS OF LOCATION THE PVC VENT PIPES MUST BE PAINTED OUT TO BLEND WITH THE COLOR OF THE SURROUDNING BUIDLING MATERIAL.

All work must be done in a craftsman-like manner, and must be completed within one year of the date this certificate was issued. Staff must approve any changes or additions to this certificate before work begins. Work that is not completed in accordance with this certificate may be subject to correction orders or citations. If you require technical assistance, please contact Historic Preservation staff as follows: Phone: (414) 286-5712 E-mail: hpc@milwaukee.gov.

If permits are required, you are responsible for obtaining them from the Milwaukee Development Center. If you have questions about permit requirements, please consult the Development Center's web site, www.milwaukee.gov/permits, or call (414) 286-8210.

A handwritten signature in black ink, appearing to read "Tom Arns".

City of Milwaukee Historic Preservation

Copies to: Development Center, Ald. Milele Coggs



4630 Kinnickinnic Ave, Cudahy, Wisconsin 53110
 (414) 481-2727 • www.affordablehtg.com



1 (a & b): AC Replacement

AIR CONDITIONERS

Notes:

	BEST	BETTER	GOOD	VALUE
	EVOLUTION™ <small>EVEREDGE</small>	Preferred™ <small>SERIES</small>		LEGACY™ <small>LINE</small>
	189B	126B	123A	113A

Price includes coil, lineset and pad.

	BEST	BETTER	GOOD	VALUE
PERFORMANCE				
Efficiency SEER	15 - 19	14 - 16.5	13 - 15	13 - 14.5
Efficiency EER	10 - 13	11.5 - 13.5	11 - 12	10.8 - 11
Energy Star*	✓	✓	✓	✓
Puron® Refrigerant	✓	✓	✓	✓
Multi Stage Compressor	Available up to 5 Stages			
Inverter Compressor	✓	✓	✓	✓
SOUND				
Quiet Level	As low as 55 dB	As low as 72 dB	As low as 74 dB	As low as 76 dB
CONTROLS				
Evolution* Control Ready	✓			
PerfectHumidity* Enhancement	✓			
Evolution Diagnostics	✓			
DURABILITY				
DuroGuard™ Plus Protection Package	✓	✓	✓	
Air Conditioner Size (tons)	<input type="checkbox"/> 2 <input type="checkbox"/> 3 <input type="checkbox"/> 4	<input type="checkbox"/> 1.5 <input type="checkbox"/> 2 <input type="checkbox"/> 2.5 <input type="checkbox"/> 3 <input type="checkbox"/> 3.5 <input type="checkbox"/> 4 <input type="checkbox"/> 5	<input type="checkbox"/> 1.5 <input type="checkbox"/> 2 <input type="checkbox"/> 2.5 <input type="checkbox"/> 3 <input type="checkbox"/> 3.5 <input type="checkbox"/> 4 <input type="checkbox"/> 5	<input type="checkbox"/> 1.5 <input type="checkbox"/> 2 <input type="checkbox"/> 2.5 <input type="checkbox"/> 3 <input type="checkbox"/> 3.5 <input type="checkbox"/> 4 <input type="checkbox"/> 5
Utility Rebates & Other Programs				

3 - Fence Spec

OPTIONS:

Fence Heights:

- 4 ft
- 5 ft
- 6 ft
- 7 ft
- 8 ft

Post Option:

- 2-1/2" sq. 14 ga.
- 2-1/2" sq. 12 ga.
- 3" sq. 12 ga.

Picket Gauge:

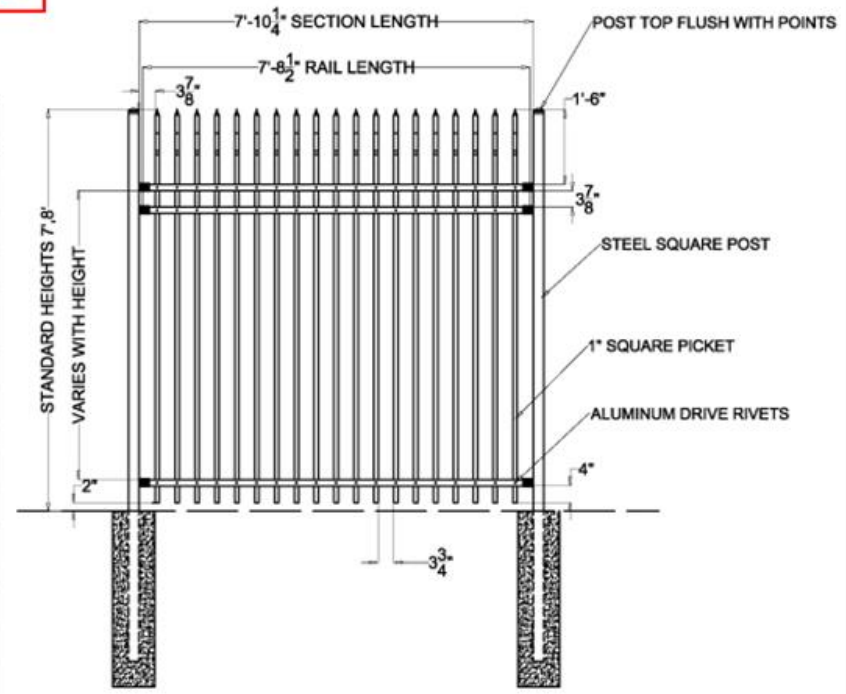
- 18 gauge
- 16 gauge
- 14 gauge

Cap Style:

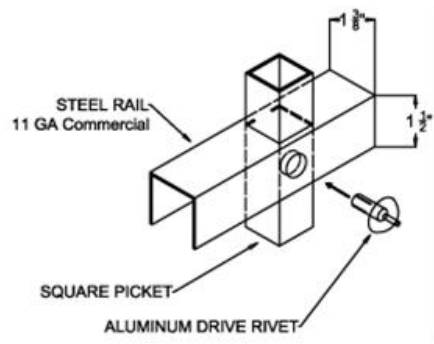
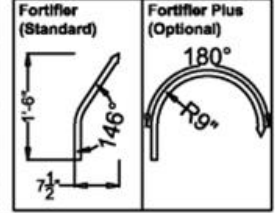
- Ball Style
- Flat Style

Color:

- Black (standard)
- Bronze
- Green
- White



Sideview



MONUMENTAL IRON WORKS
FORTIFIER - 1" PICKET PANEL

BY: es & swh
 DATE: 5/7/18
 REV:
 REV DATE:

Approved Design

