

DESIGNED FOR:

Rick & Maggie Barrett

BY:

Tim Benkowski, CMKBD

timothyj
kitchen & bath, inc.

225 SOUTH SECOND STREET
MILWAUKEE, WI 53204
voice (414) 224-8552
www.timothyjkitchenandbath.com

BARRETT RESIDENCE

3252 N. Lake Dr.
Milwaukee, WI 53211

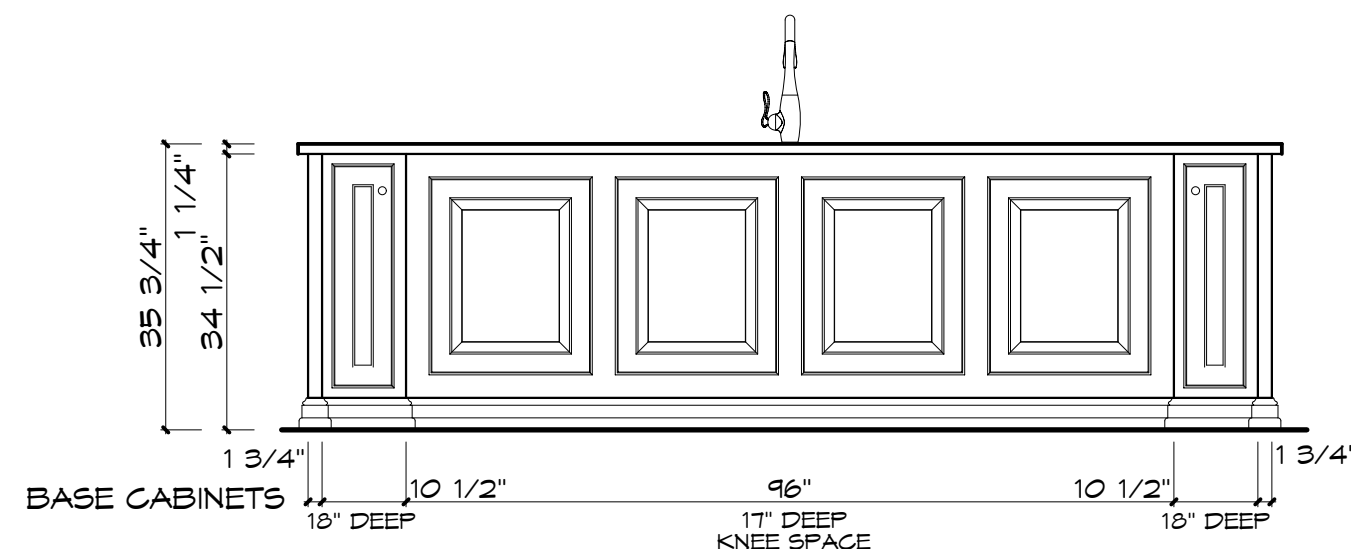
4/26/17
© COPYRIGHT 2017
timothyj
kitchen & bath, inc.
ALL RIGHTS RESERVED

REVISIONS

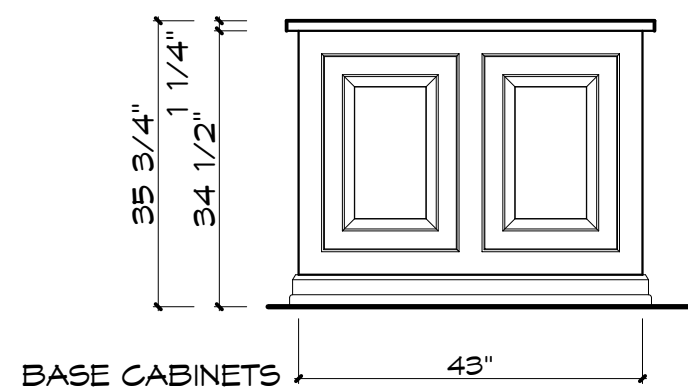
5/17/17
5/22/17
6/1/17

ALL PLANS DETAILS, DESIGN AND SPECIFICATIONS DETAILED HEREIN SHOULD BE FIELD VERIFIED AND ALL STRUCTURAL DETAILS SUBJECT TO APPROVAL OF LOCAL, STATE, AND NATIONAL BUILDING CODES AS INTERPRETED BY LOCAL AUTHORITIES.

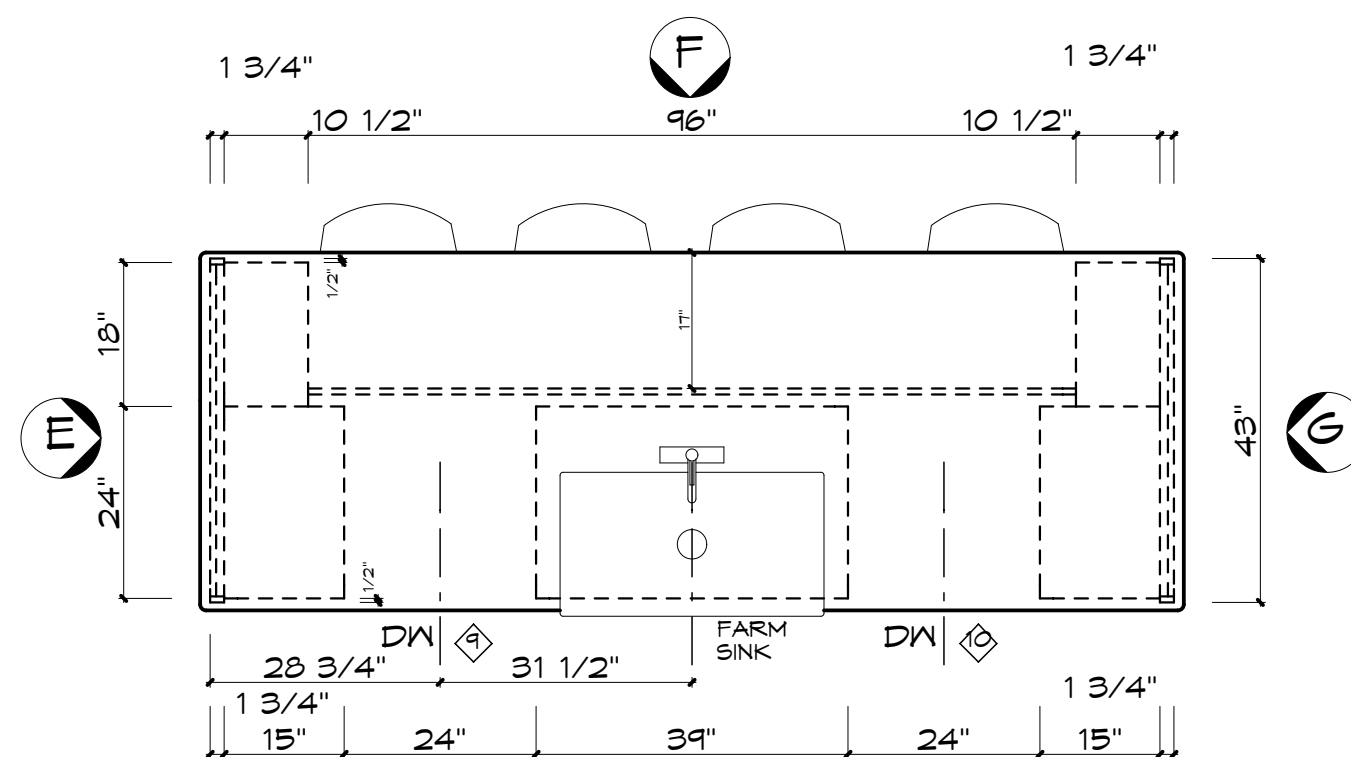
04



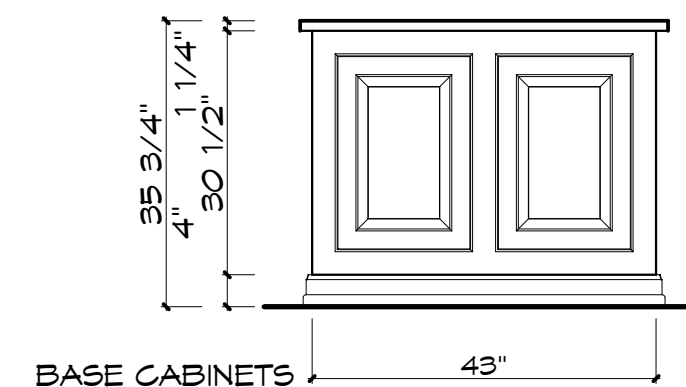
F ISLAND BACK ELEVATION
SCALE: 1/2" = 1'-0"



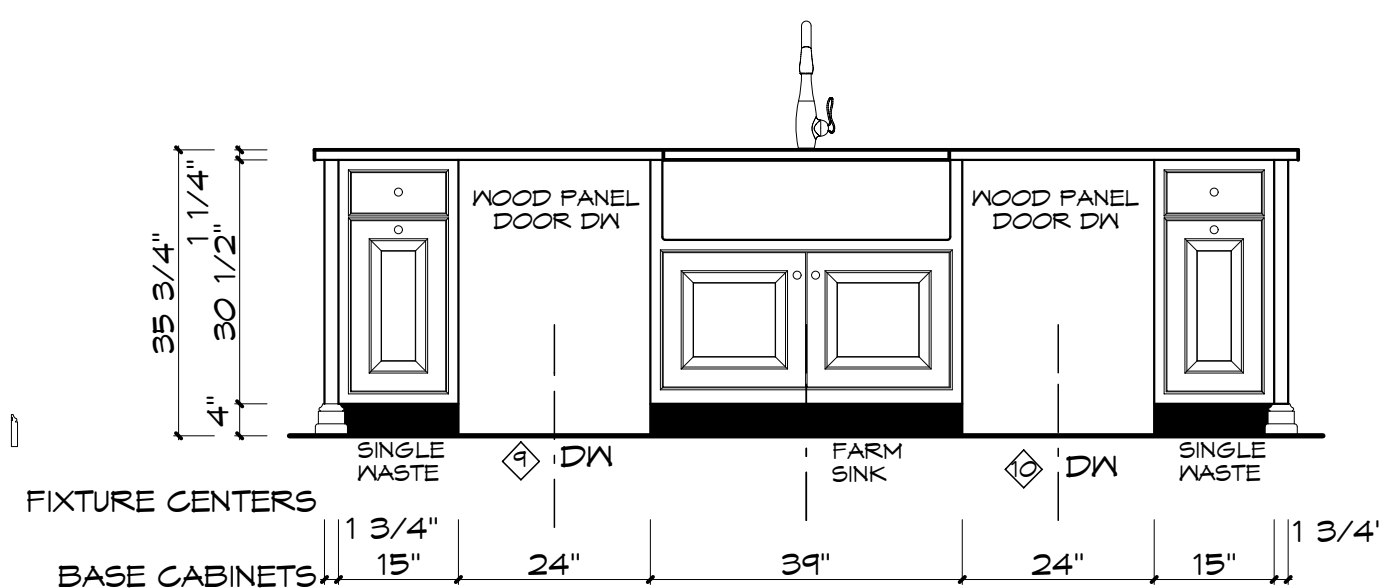
E ISLAND END ELEVATION
SCALE: 1/2" = 1'-0"



D ISLAND PLAN
SCALE: 1/2" = 1'-0"



G ISLAND END ELEVATION
SCALE: 1/2" = 1'-0"



D ISLAND FRONT ELEVATION
SCALE: 1/2" = 1'-0"

ALL RIGHTS RESERVED AND PROTECTED BY THE COPYRIGHT LAWS OF THE UNITED STATES OF AMERICA © 2017
FEDERAL COPYRIGHT PROTECTION EXTENDS TO ORIGINAL AND MODIFIED DERIVATIVE PLANS. IS APPLICABLE TO INTENTIONAL AND UNINTENTIONAL INFRINGEMENTS AND PROVIDES FOR SPECIFIC STATUTORY DAMAGES, BOTH CIVIL AND CRIMINAL
THESE PLANS ARE THE PROPERTY OF timothyj kitchen & bath, inc. AND MAY NOT BE REPRODUCED OR USED WITHOUT THE EXPRESSED PERMISSION OF timothyj kitchen & bath, inc.

CONSTRUCTION DRAWINGS
REVIEWED BY: _____
DATE: _____