



LIVING WITH HISTORY

Certificate of Appropriateness

Milwaukee Historic Preservation Commission/200 E. Wells Street/Milwaukee, WI 53202/phone 414-286-5712/fax 414-286-3004

Property 918 N. Vel R. Phillips Ave.
Description of work Install a new wall sign above west entrance
Date issued 7/27/2021 PTS ID 114914 COA: Signage

In accordance with the provisions of Section 320-21 (11) and (12) of the Milwaukee Code of Ordinances, the Milwaukee Historic Preservation Commission has issued a certificate of appropriateness for the work listed above. The work was found to be consistent with preservation guidelines. The following conditions apply to this certificate of appropriateness:

Approved as drawn.

All work must be done in a craftsman-like manner, and must be completed within one year of the date this certificate was issued. Staff must approve any changes or additions to this certificate before work begins. Work that is not completed in accordance with this certificate may be subject to correction orders or citations. If you require technical assistance, please contact hpc@milwaukee.gov.

If permits are required, you are responsible for obtaining them from the Milwaukee Development Center. If you have questions about permit requirements, please consult the Development Center's web site, www.milwaukee.gov/build, or call (414) 286-8210.

City of Milwaukee Historic Preservation Staff

Copies to: Development Center, Ald. Nik Kovac, Contractor, Inspector Paul Wolfgramm (286-2590)

This document is owned by and the information contained in it is proprietary to Poblocki Sign Company, LLC. By receipt hereof, the holder agrees not to use the information, disclose it to any third party or reproduce this document without the prior written consent of Poblocki Sign Company, LLC. Holder also agrees to immediately return this document upon request by Poblocki Sign Company, LLC.

This document represents only an approximation of material colors specified. Actual product colors may vary from this print or digital image.

Project

SEEDS OF HEALTH TENOR JOURNAL SQUARE

918 VEL R PHILLIPS AVE
MILWAUKEE WI 53203

Scale: **AS NOTED**

Original Page Size: **11" X 17"**

Notes

Revisions

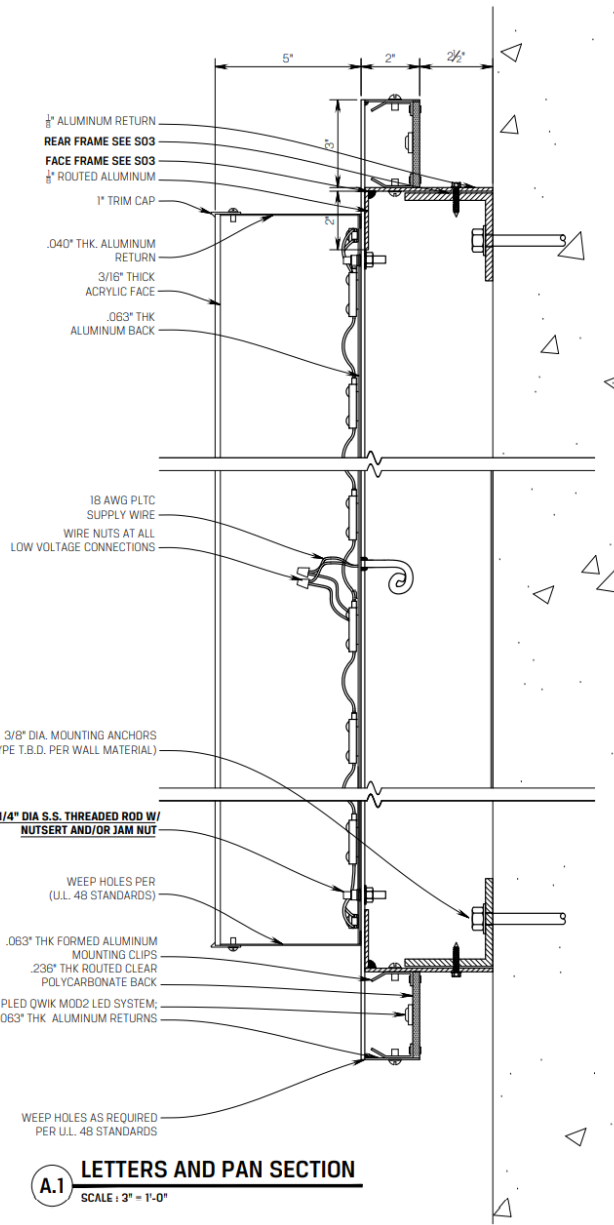
REV	DESCRIPTION	BY	DATE
01	CLARRIFICATION	KFJ	7.15.21
02	REVISED	KFJ	7.16.21

Rep. **BLAIRE BENES** Orig. Date: **6.30.21**
Drawn By: **K.JOHNSON**

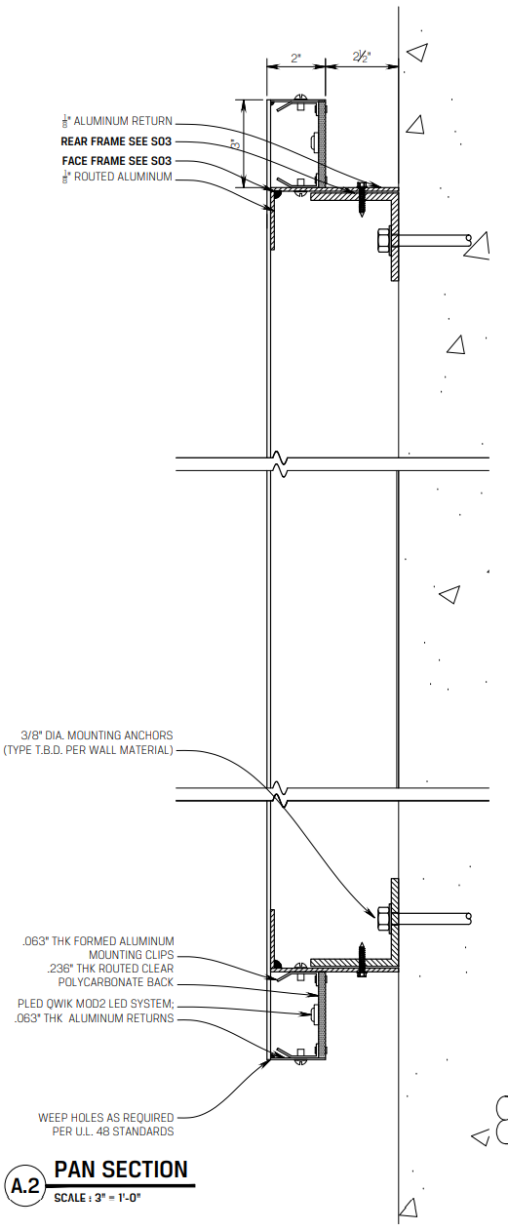
Sign Loc. No.

LL-01
LIT LETTERS
Sign Type

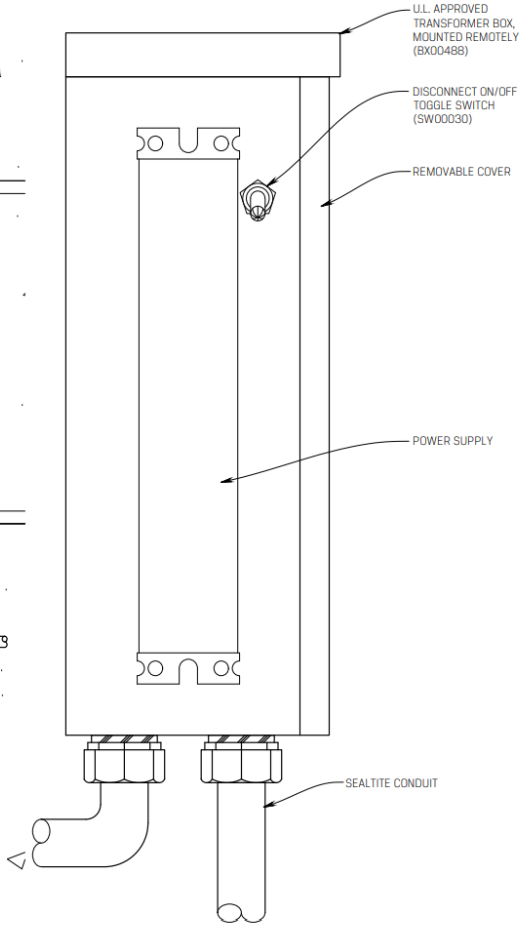
91276 S02
OPP-Project-Job No. Sheet



A.1 LETTERS AND PAN SECTION
SCALE: 3" = 1'-0"



A.2 PAN SECTION
SCALE: 3" = 1'-0"



FILE: \\P0B0CCKI\poblocki\Drawings\Signs of Health\SEEDS OF HEALTH\91276_LL-01.dwg (SHEET) 91276.DWG 2021.07.16 10:20:30 AM BY: KJOHNSON (L) 6/8

This document is owned by and the information contained in it is proprietary to Poblocki Sign Company, LLC. By receipt hereof, the holder agrees not to use the information, disclose it to any third party or reproduce this document without the prior written consent of Poblocki Sign Company, LLC. Holder also agrees to immediately return this document upon request by Poblocki Sign Company, LLC.

This document represents only an approximation of material color's specified. Actual product colors may vary from this print or digital image.

Project

**SEEDS OF HEALTH
TENOR JOURNAL SQUARE**

918 VEL R PHILLIPS AVE
MILWAUKEE WI 53203

Scale: **AS NOTED**

Original Page Size: 11" X 17"

Notes

Revisions

REV	DESCRIPTION	BY	DATE
01	CLARIFICATION	KFJ	7.15.21
02	REVISED	KFJ	7.16.21

Rep.: **BLAIRE BENES** Orig. Date: **6.30.21**

Drawn By: **KJOHNSON**

Sign Loc. No.

LL-01

LIT LETTERS

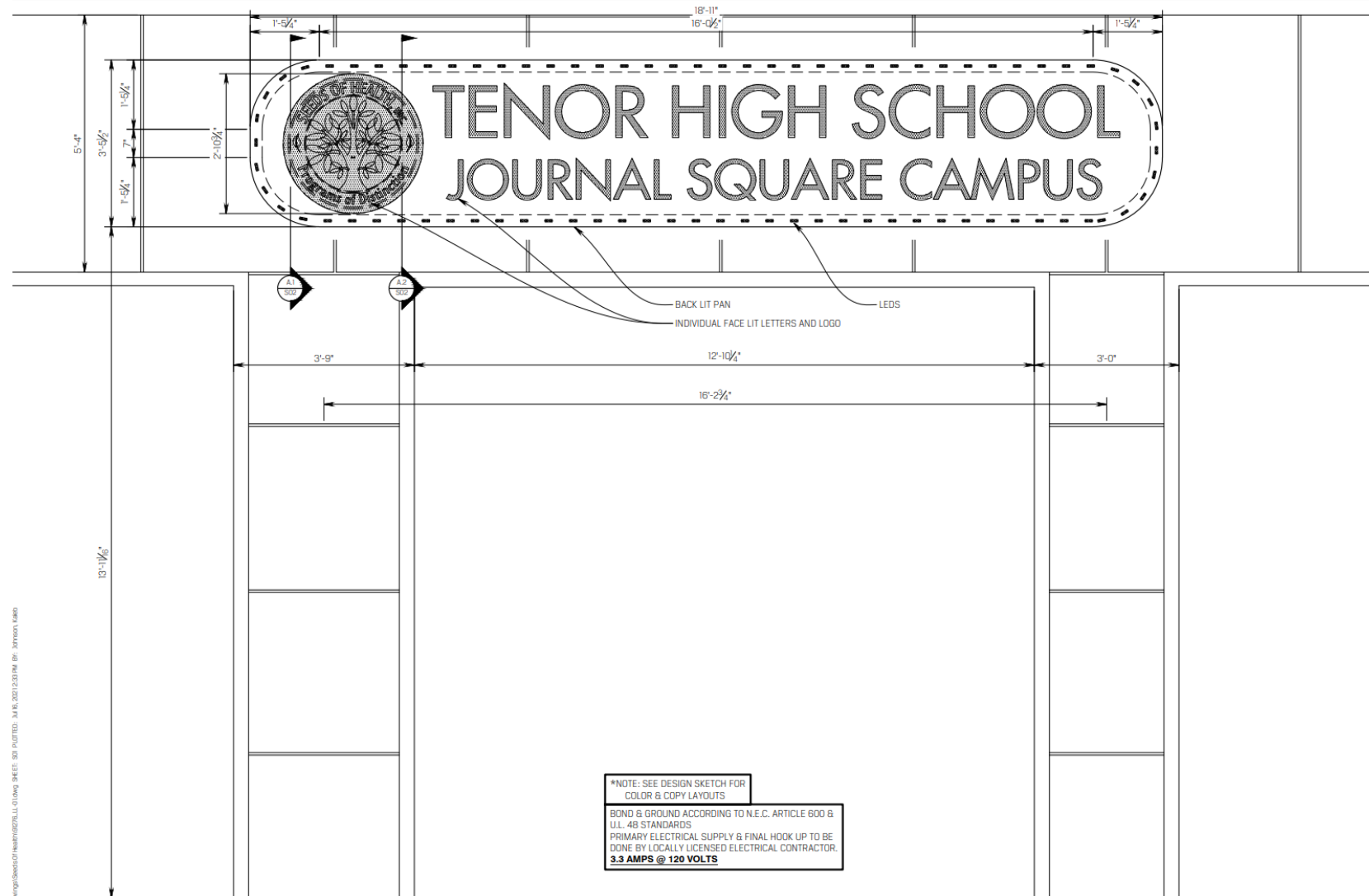
Sign Type

91276

OPP-Project-Job No.

S01

Sheet



*NOTE: SEE DESIGN SKETCH FOR COLOR & COPY LAYOUTS

BOND & GROUND ACCORDING TO N.E.C. ARTICLE 600 & U.L. 48 STANDARDS
PRIMARY ELECTRICAL SUPPLY & FINAL HOOK UP TO BE DONE BY LOCALLY LICENSED ELECTRICAL CONTRACTOR.
3.3 AMPS @ 120 VOLTS

FILE: \\WPFS2\eng\proj\101\poblocki\seeds_of_health\tenor_journal_square\ll_01.dwg SHEET: 001 PLOTTED: JUN 30 2021 3:23:24 PM BY: JOHNSON, KAJA

SIGN SPECIFICATIONS

[A] - ILLUMINATED LOGO

Lighting: LED
 Voltage: 120/277
 Description: Face-Lit (Acrylic)
 Face Color: White with Digitally Printed Graphics
 Return Color: Paint Green [TBD]
 Trimcap Color: Paint Green [TBD]
 Installation: Flush to cabinet

[B] - ILLUMINATED LETTERS

Lighting: LED
 Voltage: 120/277
 Description: Face-Lit (Acrylic)
 Face Color: White
 Return Color: Paint Green [TBD]
 Trimcap Color: Paint Green [TBD]
 Installation: Flush to cabinet

[C] - CABINET

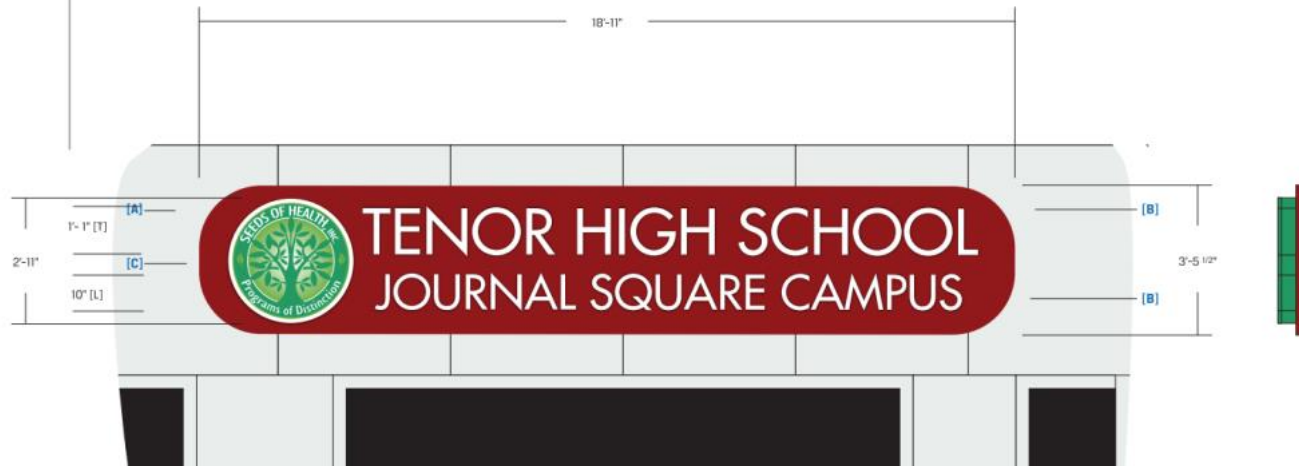
Lighting: Back-Lit
 Material: Aluminum
 Face Color: Burgundy [TBD]
 Cabinet Color: Burgundy [TBD]
 Installation: Stool-off 2 1/2"



proposed layout - day view



proposed layout - night view



This document is owned by and the information contained in it is proprietary to Poblocki Sign Company, LLC. By receipt hereof, the holder agrees not to use the information, disclose it to any third party or reproduce this document without the prior written consent of Poblocki Sign Company, LLC. Holder also agrees to immediately return this document upon request by Poblocki Sign Company, LLC.
 This document represents only an approximation of material colors specified. Actual product colors may vary from this print or digital image.

Project

**Seeds of Health
 Tenor Journal Square**
 Milwaukee, Wisconsin

Scale: 3/8"=1'
 Original Page Size: 11" x 17"

Notes
GREEN & BURGUNDY [TBD]

Revisions

REV	DESCRIPTION	BY	DATE
01	SIZE	job	07/16/21

Rep: Blair Benes
 Drawn By: Sarah Biagioli Orig. Date: 06/10/21

Sign Loc. No. .

LL-01
 Lit Letters
 Sign Type

91276 **J07**
 OPP - Project - Job No. Design

