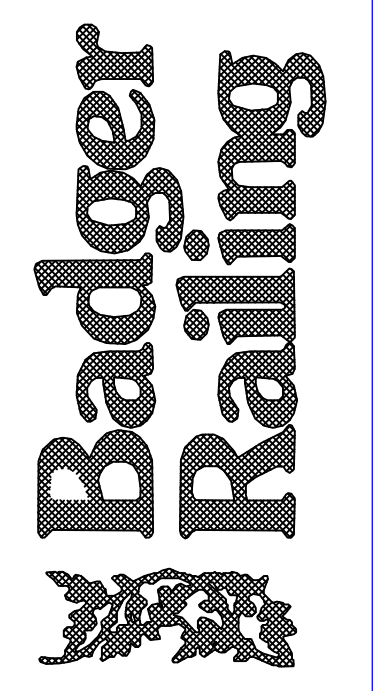


Revisions	Date

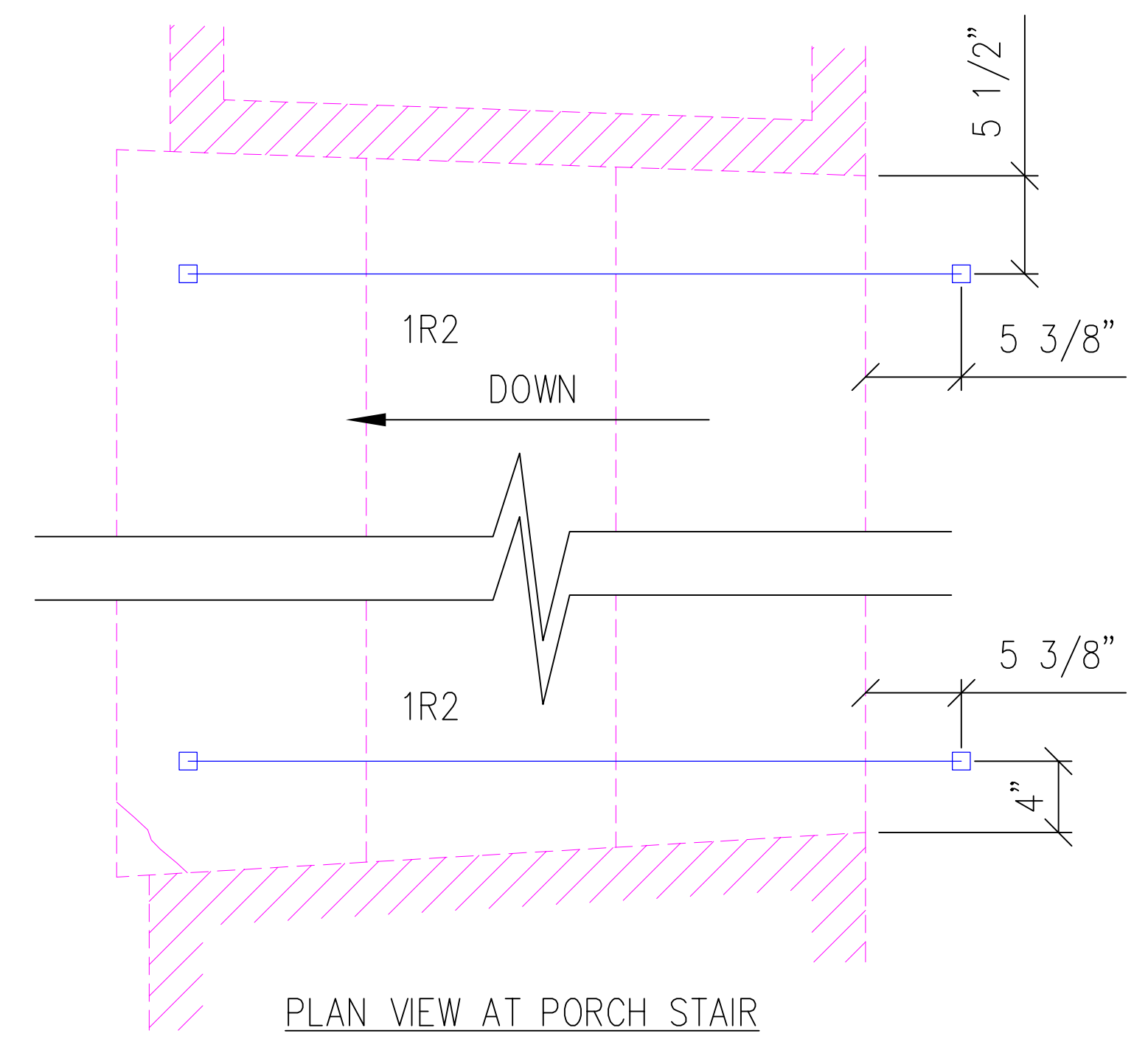
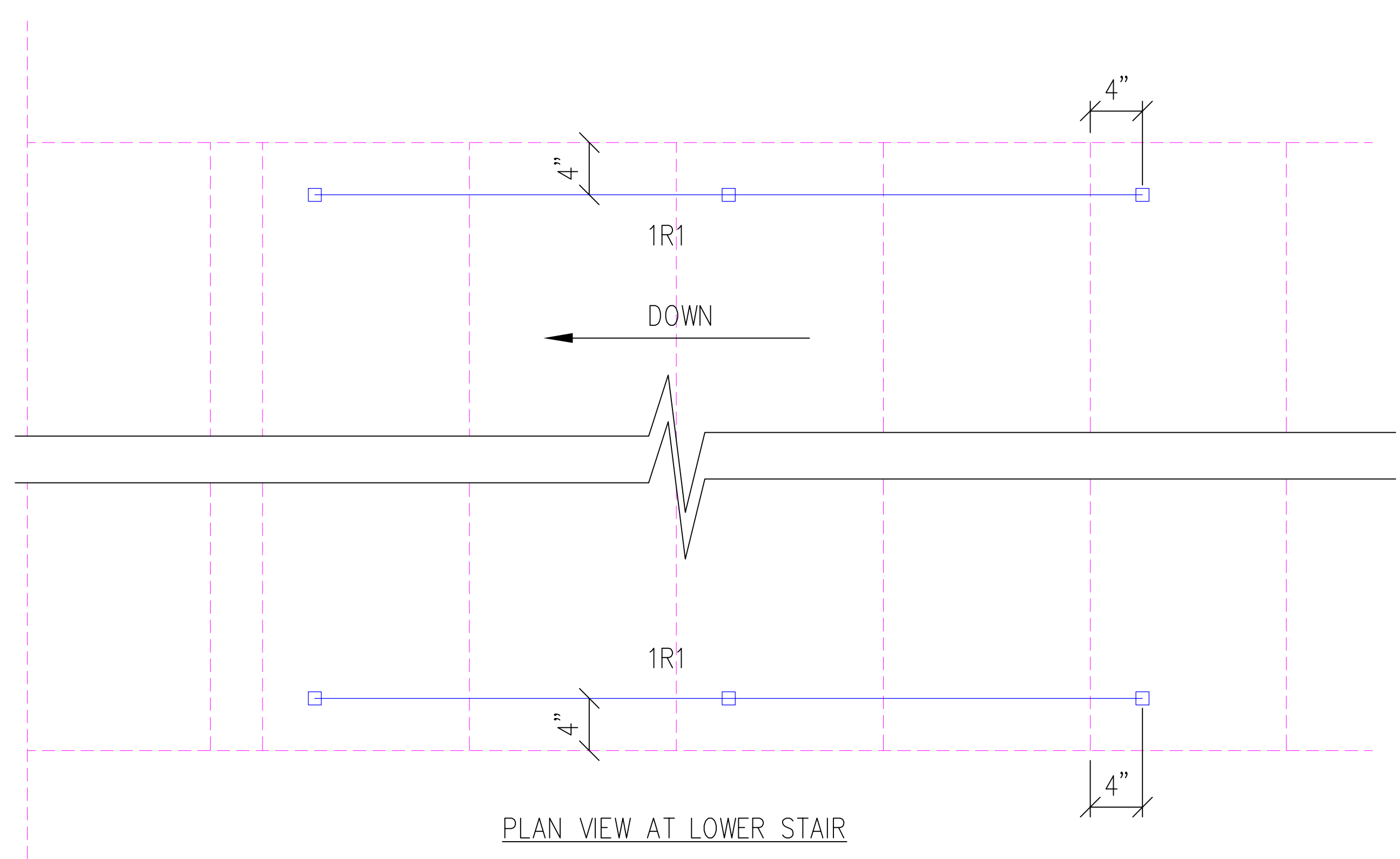
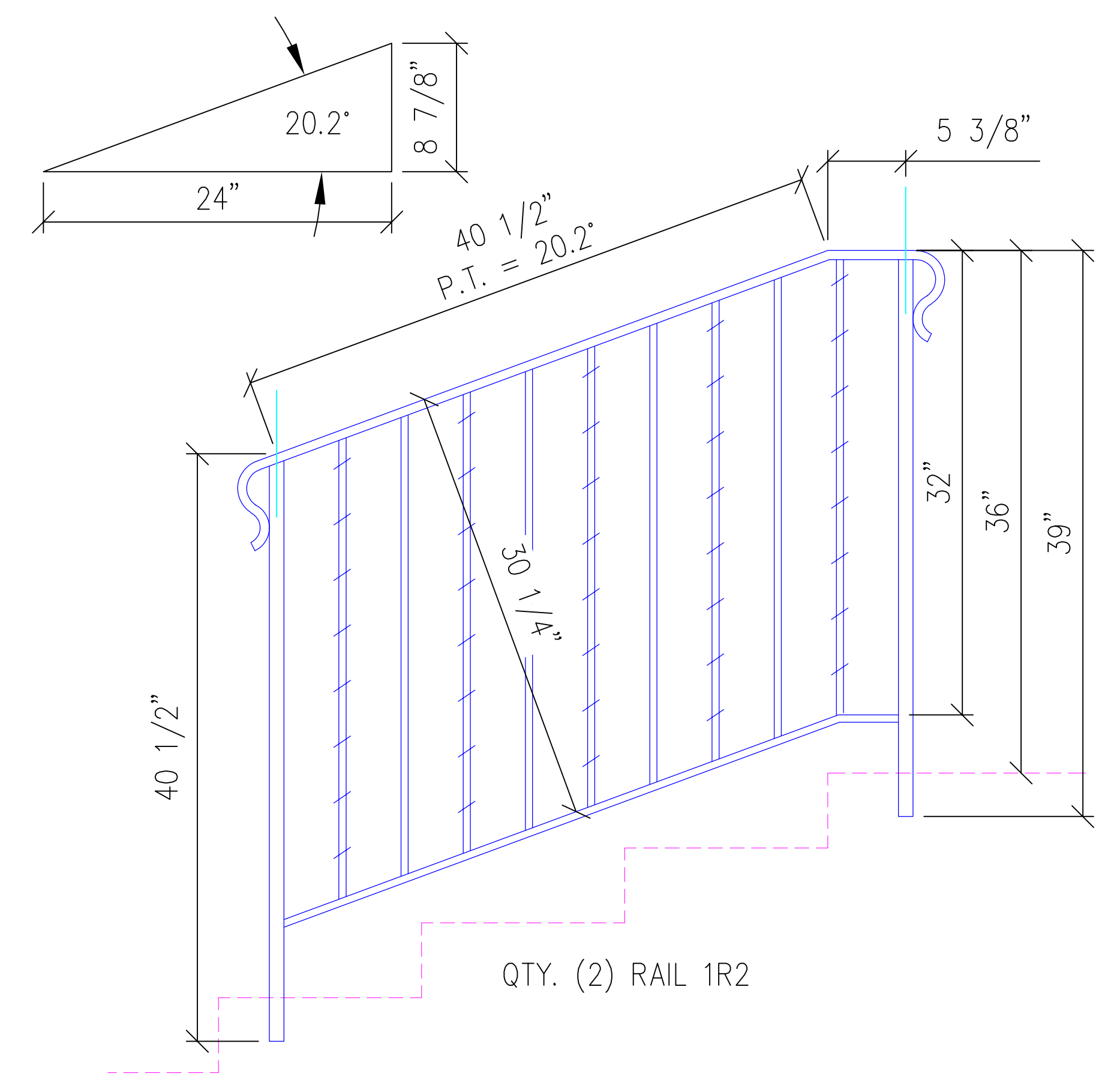
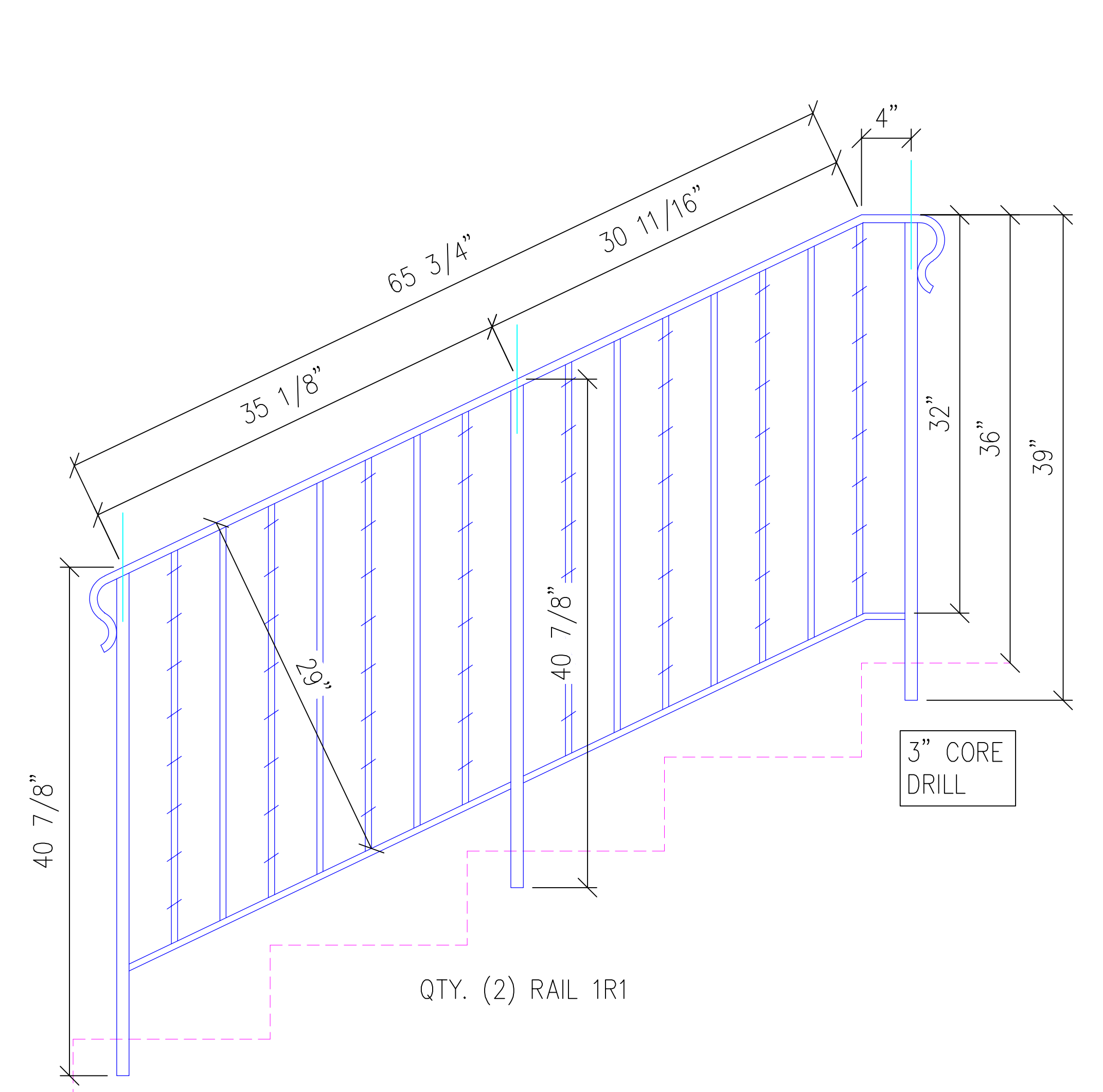
BADGER RAILING
 3880 W. MILWAUKEE ROAD
 MILWAUKEE, WI 53208
 414.672.6090
 414.672.8700 (FAX)



Customer: VESLA HOESCHEN
 Project: STAIR RAIL
 2615 N. LAKE DR.

Job No	13579
Date	10/15/24
Drawn	AMB
Approved	
Sheet	101 of

SHOP PAINT:
 EPOXY PRIME
 BLACK URETHANE ENAMEL



MATERIAL SIZES
TOP RAIL = STANDARD MOLDED TOP
BOTTOM RAIL = CHANNEL 1" X 1/2" X 1/8"
POSTS = 1" SOLID SQUARE BAR
PICKETS = 1/2" SOLID SQUARE BAR (DOUBLE TWIST)