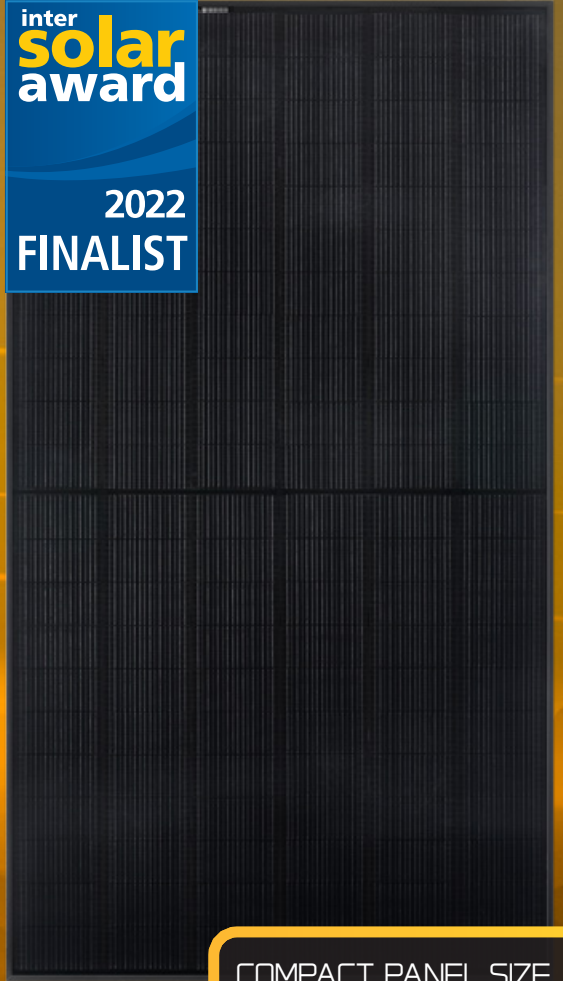


SOLAR'S MOST TRUSTED



inter
solar
award

2022
FINALIST



COMPACT PANEL SIZE

REC ALPHA[®] PURE SERIES

PRODUCT SPECIFICATIONS

410 WP
222 W/M²



ELIGIBLE

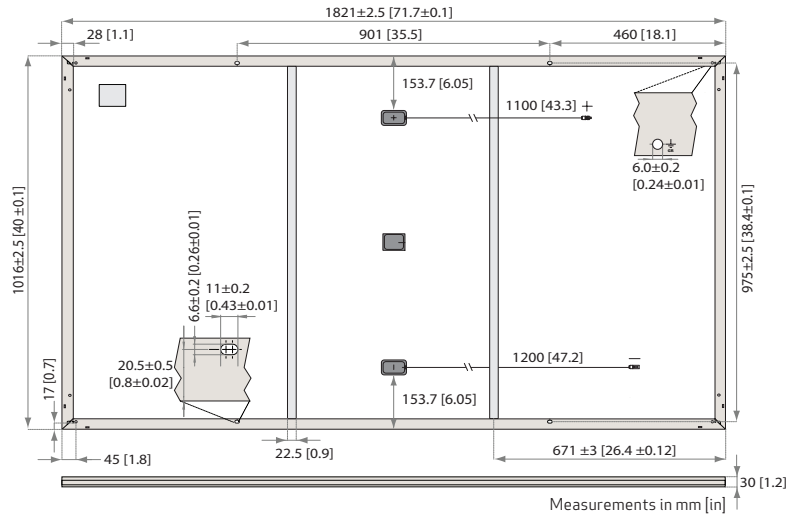


REC ALPHA PURE SERIES

PRODUCT SPECIFICATIONS

GENERAL DATA

| | |
|---------------|---|
| Cell type: | 132 half-cut REC heterojunction cells with lead-free, gapless technology, 6 strings of 22 cells in series |
| Glass: | 3.2 mm solar glass with anti-reflective surface treatment in accordance with EN 12150 |
| Backsheet: | Highly resistant polymer (black) |
| Frame: | Anodized aluminum (black) |
| Junction box: | 3-part, 3 bypass diodes, lead-free IP68 rated, in accordance with IEC 62790 |
| Connectors: | Stäubli MC4 PV-KBT4/KST4 (4 mm ²) in accordance with IEC 62852, IP68 only when connected |
| Cable: | 4 mm ² solar cable, 1.1 m + 1.2 m in accordance with EN 50618 |
| Dimensions: | 1821 x 1016 x 30 mm (1.85 m ²) |
| Weight: | 20.5 kg |
| Origin: | Made in Singapore |



ELECTRICAL DATA

Product Code*: RECxxxAA Pure

| | 385 | 390 | 395 | 400 | 405 | 410 |
|--|-------|-------|-------|-------|-------|-------|
| Power Output - P _{MAX} (Wp) | 385 | 390 | 395 | 400 | 405 | 410 |
| Watt Class Sorting - (W) | 0/+5 | 0/+5 | 0/+5 | 0/+5 | 0/+5 | 0/+5 |
| Nominal Power Voltage - V _{MPP} (V) | 41.2 | 41.5 | 41.8 | 42.1 | 42.4 | 42.7 |
| Nominal Power Current - I _{MPP} (A) | 9.35 | 9.40 | 9.45 | 9.51 | 9.56 | 9.61 |
| Open Circuit Voltage - V _{OC} (V) | 48.5 | 48.6 | 48.7 | 48.8 | 48.9 | 49.0 |
| Short Circuit Current - I _{SC} (A) | 10.18 | 10.22 | 10.25 | 10.28 | 10.30 | 10.35 |
| Power Density (W/m ²) | 208 | 211 | 214 | 216 | 219 | 222 |
| Panel Efficiency (%) | 20.8 | 21.1 | 21.4 | 21.6 | 21.9 | 22.2 |
| Power Output - P _{MAX} (Wp) | 293 | 297 | 301 | 305 | 309 | 312 |
| Nominal Power Voltage - V _{MPP} (V) | 38.8 | 39.1 | 39.4 | 39.7 | 40.0 | 40.2 |
| Nominal Power Current - I _{MPP} (A) | 7.55 | 7.59 | 7.63 | 7.68 | 7.72 | 7.76 |
| Open Circuit Voltage - V _{OC} (V) | 45.7 | 45.8 | 45.9 | 46.0 | 46.1 | 46.2 |
| Short Circuit Current - I _{SC} (A) | 8.16 | 8.20 | 8.24 | 8.28 | 8.32 | 8.36 |

Values at standard test conditions (STC: air mass AM 1.5, irradiance 1000 W/m², temperature 25°C), based on a production spread with a tolerance of P_{MAX}, V_{OC} & I_{SC} ±3% within one watt class. Nominal module operating temperature (NMOT: air mass AM 1.5, irradiance 800 W/m², temperature 20°C, windspeed 1 m/s). * Where xxx indicates the nominal power class (P_{MAX}) at STC above.

MAXIMUM RATINGS

| | |
|----------------------------|-------------------------------------|
| Operational temperature: | -40 ... +85°C |
| Maximum system voltage: | 1000 V |
| Maximum test load (front): | + 7000 Pa (713 kg/m ²)* |
| Maximum test load (rear): | - 4000 Pa (407 kg/m ²)* |
| Max series fuse rating: | 25 A |
| Max reverse current: | 25 A |

* See installation manual for mounting instructions.
Design load = Test load / 1.5 (safety factor)

WARRANTY

| | Standard | REC ProTrust | |
|--|----------|--------------|-----------|
| Installed by an REC Certified Solar Professional | No | Yes | Yes |
| System Size | All | ≤25 kW | 25-500 kW |
| Product Warranty (yrs) | 20 | 25 | 25 |
| Power Warranty (yrs) | 25 | 25 | 25 |
| Labor Warranty (yrs) | 0 | 25 | 10 |
| Power in Year 1 | 98% | 98% | 98% |
| Annual Degradation | 0.25% | 0.25% | 0.25% |
| Power in Year 25 | 92% | 92% | 92% |

See warranty documents for details. Conditions apply

CERTIFICATIONS

| | |
|---|------------------------------------|
| IEC 61215:2016, IEC 61730:2016, UL 61730 | |
| IEC 62804 | PID |
| IEC 61701 | Salt Mist |
| IEC 62716 | Ammonia Resistance |
| ISO 11925-2 | Ignitability (Class E) |
| IEC 62782 | Dynamic Mechanical Load |
| IEC 61215-2:2016 | Hailstone (35mm) |
| IEC 62321 | Lead-free acc. to RoHS EU 863/2015 |
| ISO 14001, ISO 9001, IEC 45001, IEC 62941 | |



TEMPERATURE RATINGS*

| | |
|---|-------------|
| Nominal Module Operating Temperature: | 44°C (±2°C) |
| Temperature coefficient of P _{MAX} : | -0.26 %/°C |
| Temperature coefficient of V _{OC} : | -0.24 %/°C |
| Temperature coefficient of I _{SC} : | 0.04 %/°C |

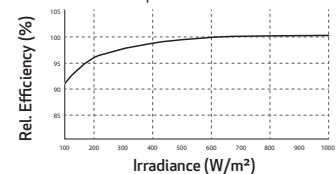
* The temperature coefficients stated are linear values

DELIVERY INFORMATION

| | |
|--|------------------|
| Panels per pallet: | 33 |
| Panels per 40 ft GP/high cube container: | 792 (24 pallets) |
| Panels per 13.6 m truck: | 924 (28 pallets) |
| Panels per 53 ft truck: | 891 (27 pallets) |

LOW LIGHT BEHAVIOUR

Typical low irradiance performance of module at STC:



Enphase IQ 7A Microinverter

The high-powered smart grid-ready **Enphase IQ 7A Micro™** dramatically simplifies the installation process while achieving the highest system efficiency for systems with 60-cell and 72-cell modules.

Part of the Enphase IQ System, the IQ 7A Micro integrates with the Enphase IQ Envoy™, Enphase IQ Battery™, and the Enphase Enlighten™ monitoring and analysis software.

The IQ Series Microinverters extend the reliability standards set forth by previous generations and undergo over a million hours of power-on testing, enabling Enphase to provide an industry-leading warranty of up to 25 years.



High Power

- Peak output power 366 VA @ 240 VAC and 295 VA @ 208 VAC

Easy to Install

- Lightweight and simple
- Faster installation with improved, lighter two-wire cabling
- Built-in rapid shutdown compliant (NEC 2014 & 2017)

Efficient and Reliable

- Optimized for high powered 60-cell and 72-cell modules
- Highest CEC efficiency of 97%
- More than a million hours of testing
- Class II double-insulated enclosure
- UL listed

Smart Grid Ready

- Complies with advanced grid support, voltage and frequency ride-through requirements
- Envoy and Internet connection required
- Configurable for varying grid profiles
- Meets CA Rule 21 (UL 1741-SA)



Enphase IQ 7A Microinverter

| INPUT (DC) | | IQ7A-72-2-US | |
|---|--|-------------------|-----------|
| Commonly used module pairings ¹ | 295 W–460 W + | | |
| Module compatibility | 60-cell, 66-cell, and 72-cell PV modules | | |
| Maximum input DC voltage | 58 V | | |
| Power point tracking voltage range ² | 18 V–58 V | | |
| Min/Max start voltage | 33 V / 58 V | | |
| Max DC short circuit current (module I _{sc}) ³ | 15 A | | |
| Overvoltage class DC port | II | | |
| DC port backfeed current | 0 A | | |
| PV array configuration | 1 x 1 ungrounded array; No additional DC side protection required; AC side protection requires max 20A per branch circuit | | |
| OUTPUT (AC) | | @ 240 VAC | @ 208 VAC |
| Peak output power | 366 VA | 295 VA | |
| Maximum continuous output power | 349 VA | 290 VA | |
| Nominal (L-L) voltage/range ⁴ | 240 V / 211–264 V | 208 V / 183–229 V | |
| Maximum continuous output current | 1.45 A (240 VAC) | 1.39 A (208 VAC) | |
| Nominal frequency | 60 Hz | | |
| Extended frequency range | 47–68 Hz | | |
| AC short circuit fault current over 3 cycles | 5.8 Arms | | |
| Maximum units per 20 A (L-L) branch circuit ⁵ | 11 (240 VAC) | 11 (208 VAC) | |
| Overvoltage class AC port | III | | |
| AC port backfeed current | 18 mA | | |
| Power factor setting | 1.0 | | |
| Power factor (adjustable) | 0.85 leading ... 0.85 lagging | | |
| EFFICIENCY | | @240 VAC | @208 VAC |
| CEC weighted efficiency | 97.0 % | 96.5% | |
| MECHANICAL | | | |
| Ambient temperature range | -40°C to +60°C | | |
| Relative humidity range | 4% to 100% (condensing) | | |
| Connector type: DC (IQ7A-72-2-US) | MC4 | | |
| Dimensions (HxWxD) | 212 mm x 175 mm x 30.2 mm (without bracket) | | |
| Weight | 1.08 kg (2.38 lbs) | | |
| Cooling | Natural convection – No fans | | |
| Approved for wet locations | Yes | | |
| Pollution degree | PD3 | | |
| Enclosure | Class II double-insulated, corrosion resistant polymeric enclosure | | |
| Environmental category / UV exposure rating | NEMA Type 6 / outdoor | | |
| FEATURES | | | |
| Communication | Power Line Communication (PLC) | | |
| Monitoring | Enlighten Manager and MyEnlighten monitoring options Compatible with Enphase IQ Envoy | | |
| Disconnecting means | The AC and DC connectors have been evaluated and approved by UL for use as the load-break disconnect required by NEC 690. | | |
| Compliance | CA Rule 21 (UL 1741-SA) UL 62109-1, UL1741/IEEE1547, FCC Part 15 Class B, ICES-0003 Class B, CAN/CSA-C22.2 NO. 107.1-01 This product is UL Listed as PV Rapid Shut Down Equipment and conforms with NEC-2014 and NEC-2017 section 690.12 and C22.1-2015 Rule 64-218 Rapid Shutdown of PV Systems, for AC and DC conductors, when installed according manufacturer's instructions. | | |

1. No enforced DC/AC ratio. See the compatibility calculator at <https://enphase.com/en-us/support/module-compatibility>.

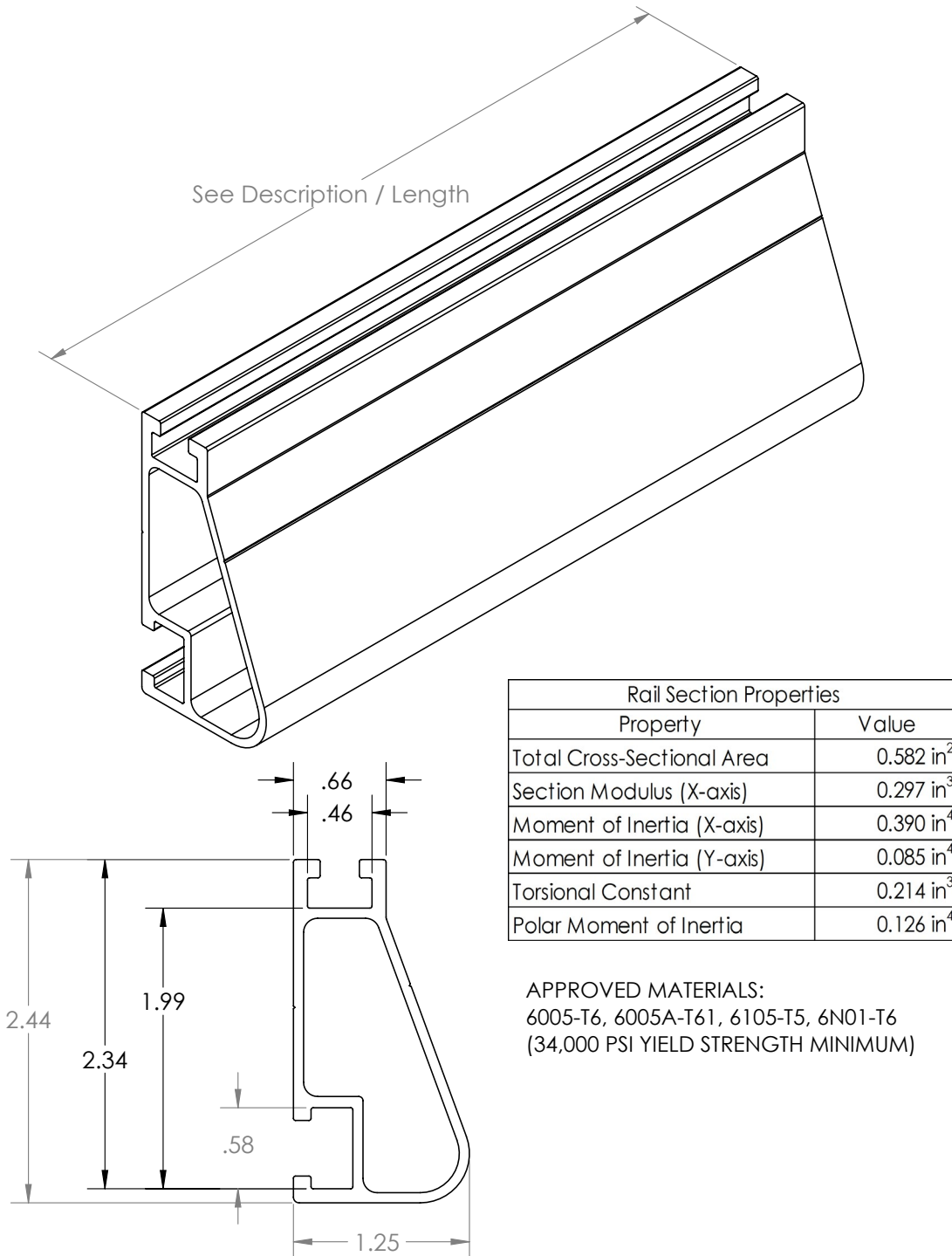
2. CEC peak power tracking voltage range is 38 V to 43 V.

3. Maximum continuous input DC current is 10.2A.

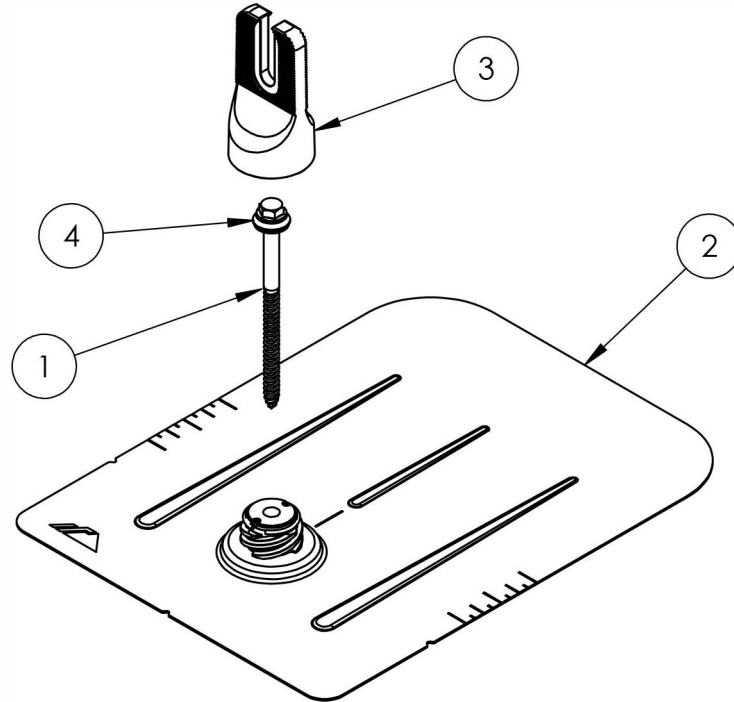
4. Voltage range can be extended beyond nominal if required by the utility.

5. Limits may vary. Refer to local requirements to define the number of microinverters per branch in your area.

To learn more about Enphase offerings, visit enphase.com



| Clear Part Number | Black Part Number | Description / Length | Material | Weight |
|-------------------|-------------------|----------------------------|-------------------------|------------|
| XR-100-132A | XR-100-132B | XR100, Rail 132" (11 Feet) | 6000-Series Aluminum | 7.50 lbs. |
| XR-100-168A | XR-100-168B | XR100, Rail 168" (14 Feet) | | 9.55 lbs. |
| XR-100-204A | XR-100-204B | XR100, Rail 204" (17 Feet) | | 11.60 lbs. |

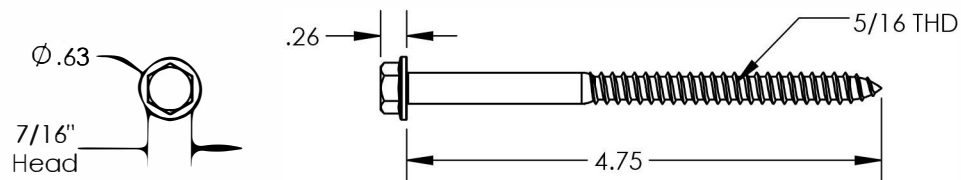


| ITEM NO. | DESCRIPTION |
|----------|-----------------------|
| 1 | BOLT LAG 5/16 X 4.75" |
| 2 | ASSY, FLASHING |
| 3 | ASSY, CAP |
| 4 | WASHER, EPDM BACKED |

FLASHFOOT 2

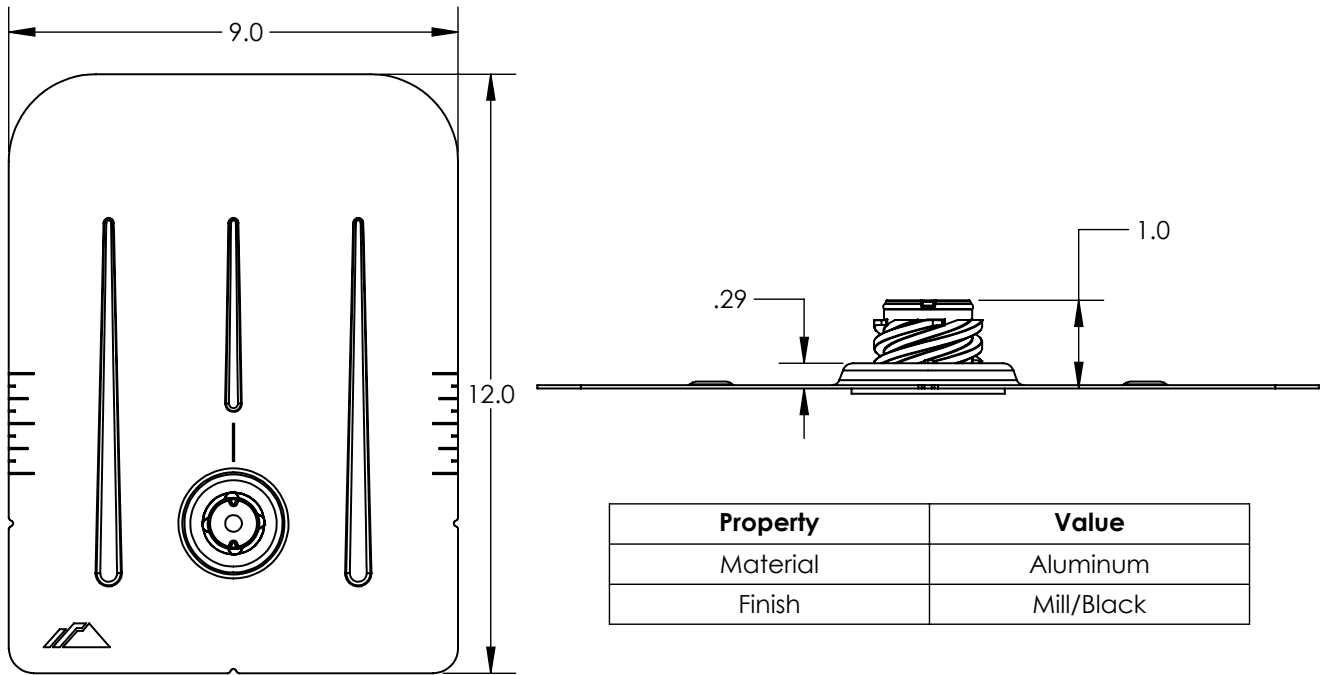
| Part Number | Description |
|-------------|-------------------|
| FF2-01-M1 | FLASHFOOT2, MILL |
| FF2-01-B1 | FLASHFOOT2, BLACK |

1) Bolt, Lag 5/16 x 4.75

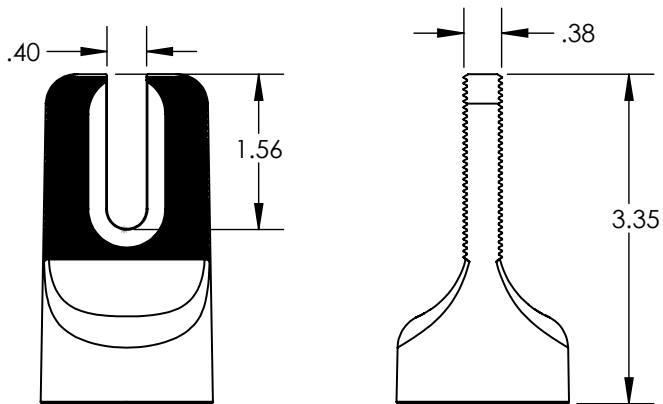


| Property | Value |
|----------|----------------------------|
| Material | 300 Series Stainless Steel |
| Finish | Clear |

2) Assy, Flashing

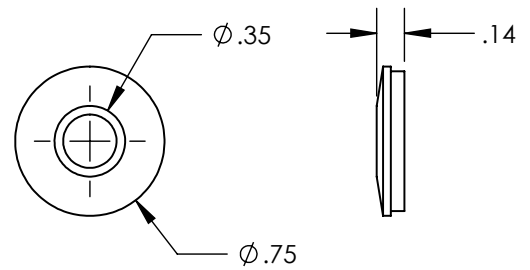


3) Assy, Cap



| Property | Value |
|----------|------------|
| Material | Aluminum |
| Finish | Mill/Black |

4) Washer, EPDM Backed



| Property | Value |
|----------|----------------------------|
| Material | 300 Series Stainless Steel |
| Finish | Clear |