

LIGHTING PLAN

SCALE: 3/8" = 1'-0"

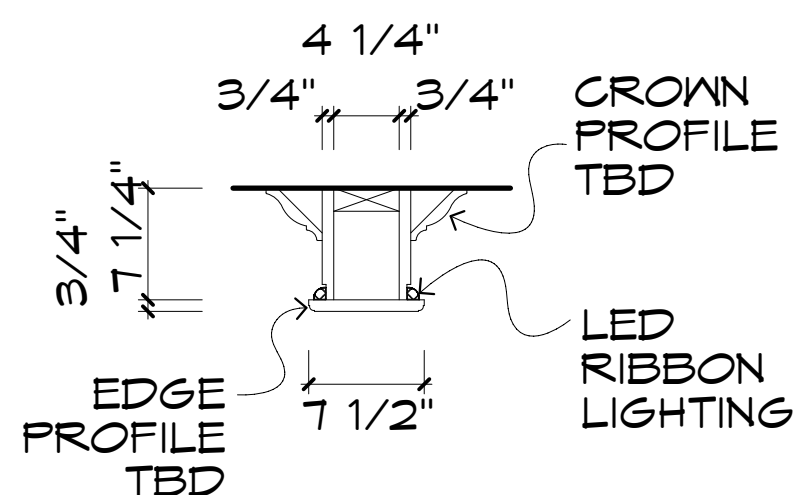
SYMBOL LEGEND

LIGHTING

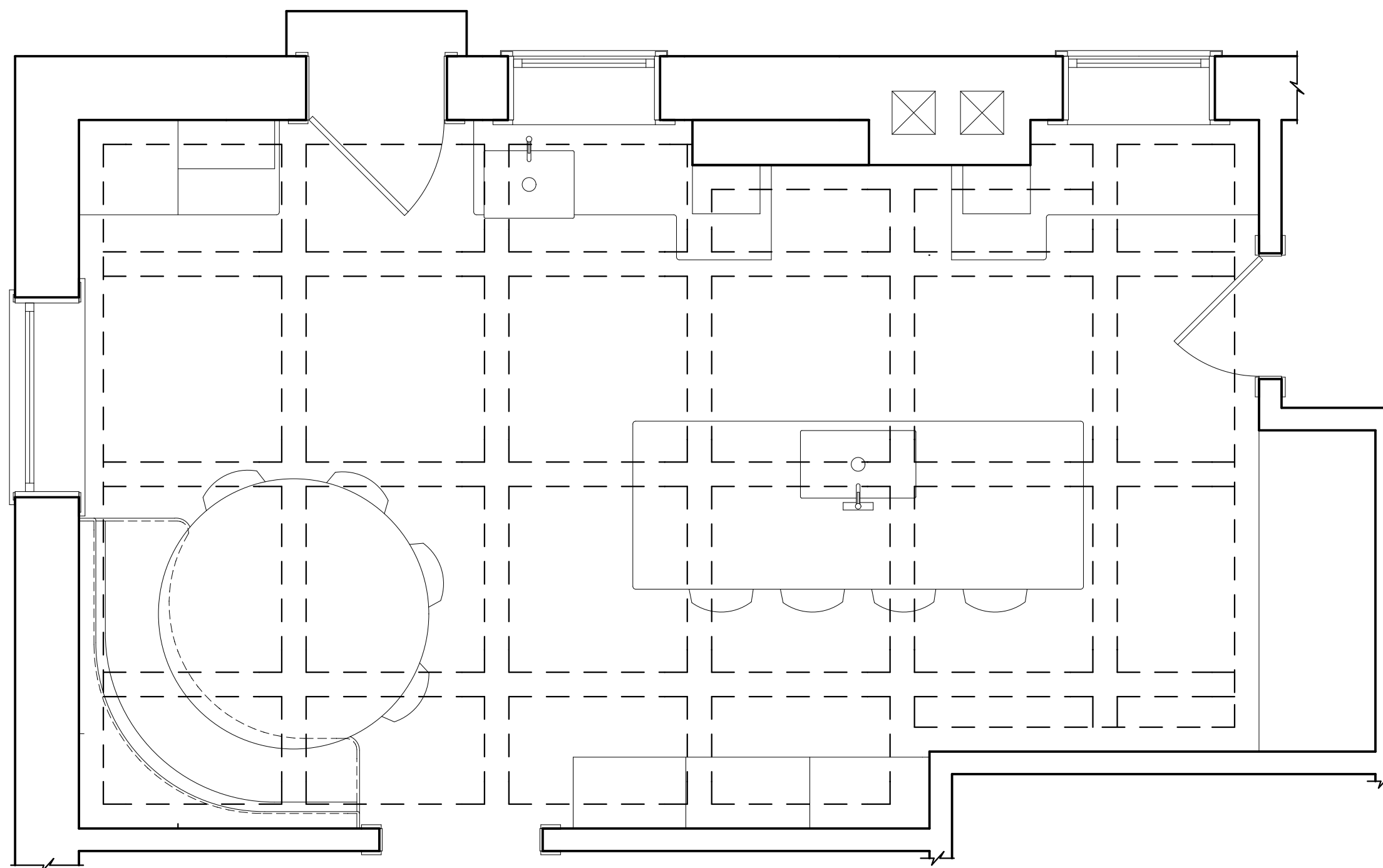
	OTHER LED FIXTURE
	6" LED RECESSED FIXTURE
	4" LED RECESSED FIXTURE
	LED "PUCK"
	UNDER CABINET FLUOR
	LOW VOLTAGE MONO-RAIL
	LED RIBBON LIGHTING
	PENDANT CEILING LIGHT
	WALL MOUNT FIXTURE
	IN-FLOOR FIXTURE
	FULL CHAIN FIXTURE
	CABLE LIGHTING
	FLUORESCENT FIXTURE

GENERAL

	SINGLE POLE SWITCH
	SINGLE POLE DIMMER SWITCH
	TIMER SWITCH
	3 WAY SWITCH
	3 WAY DIMMER SWITCH
	WIRING
	GROUND FAULT INTERRUPT WALL OUTLET
	DEDICATED APPLIANCE OUTLET
	APPLIANCE HARD WIRED
	220 RANGE OUTLET
	EXHAUST FAN
	FAN W/ LIGHT



COFFER DETAIL



REFLECTED CEILING PLAN

SCALE: 3/8" = 1'-0"

DESIGNED FOR:

Rick & Maggie Barrett

BY:

Tim Benkowski, CMKBD

timothyj
kitchen & bath, inc.

225 SOUTH SECOND STREET
MILWAUKEE, WI 53204
voice (414) 224-8552
www.timothyjkitchenandbath.com

BARRETT RESIDENCE

3252 N. Lake Dr.
Milwaukee, WI 53211

4/26/17

© COPYRIGHT 2017

timothyj
kitchen & bath, inc.

ALL RIGHTS RESERVED

REVISIONS

5/17/17	7/20/17
5/22/17	7/31/17
6/1/17	8/4/17
6/27/17	8/10/17
7/12/17	8/16/17

ALL PLANS DETAILS, DESIGN AND SPECIFICATIONS DETAILED HEREIN SHOULD BE FIELD VERIFIED AND ALL STRUCTURAL DETAILS SUBJECT TO APPROVAL OF LOCAL, STATE, AND NATIONAL BUILDING CODES AS INTERPRETED BY LOCAL AUTHORITIES.

CONTRACT SET

REVIEWED BY: _____

DATE: _____

ALL RIGHTS RESERVED AND PROTECTED BY THE COPYRIGHT LAWS OF THE UNITED STATES OF AMERICA © 2017
FEDERAL COPYRIGHT PROTECTION EXTENDS TO ORIGINAL AND MODIFIED DERIVATIVE PLANS. IS APPLICABLE TO INTENTIONAL AND UNINTENTIONAL INFRINGEMENTS AND PROVIDES FOR SPECIFIC STATUTORY DAMAGES, BOTH CIVIL AND CRIMINAL
THESE PLANS ARE THE PROPERTY OF timothyj kitchen & bath, inc. AND MAY NOT BE REPRODUCED OR USED WITHOUT THE EXPRESSED PERMISSION OF timothyj kitchen & bath, inc.

02