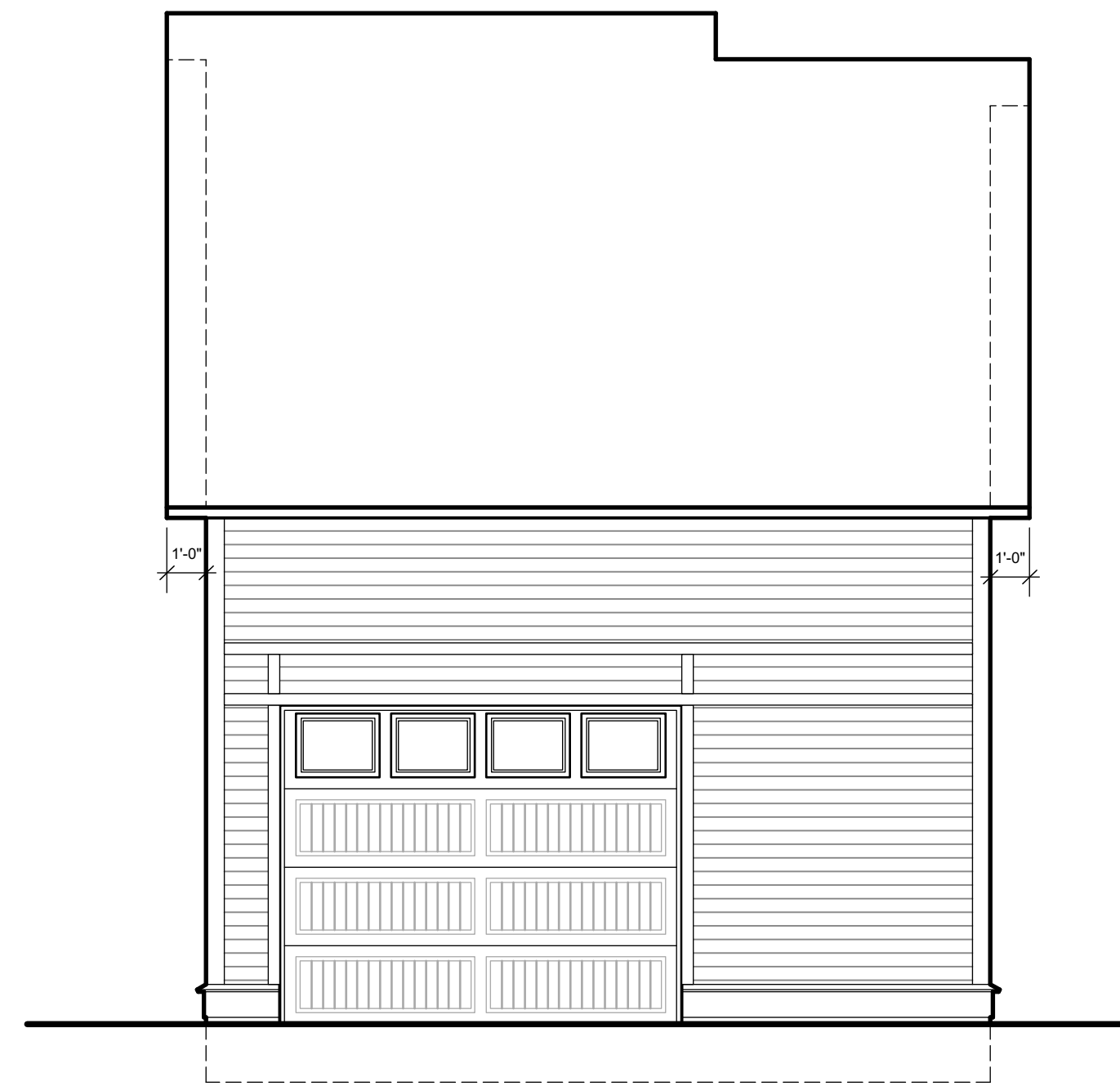
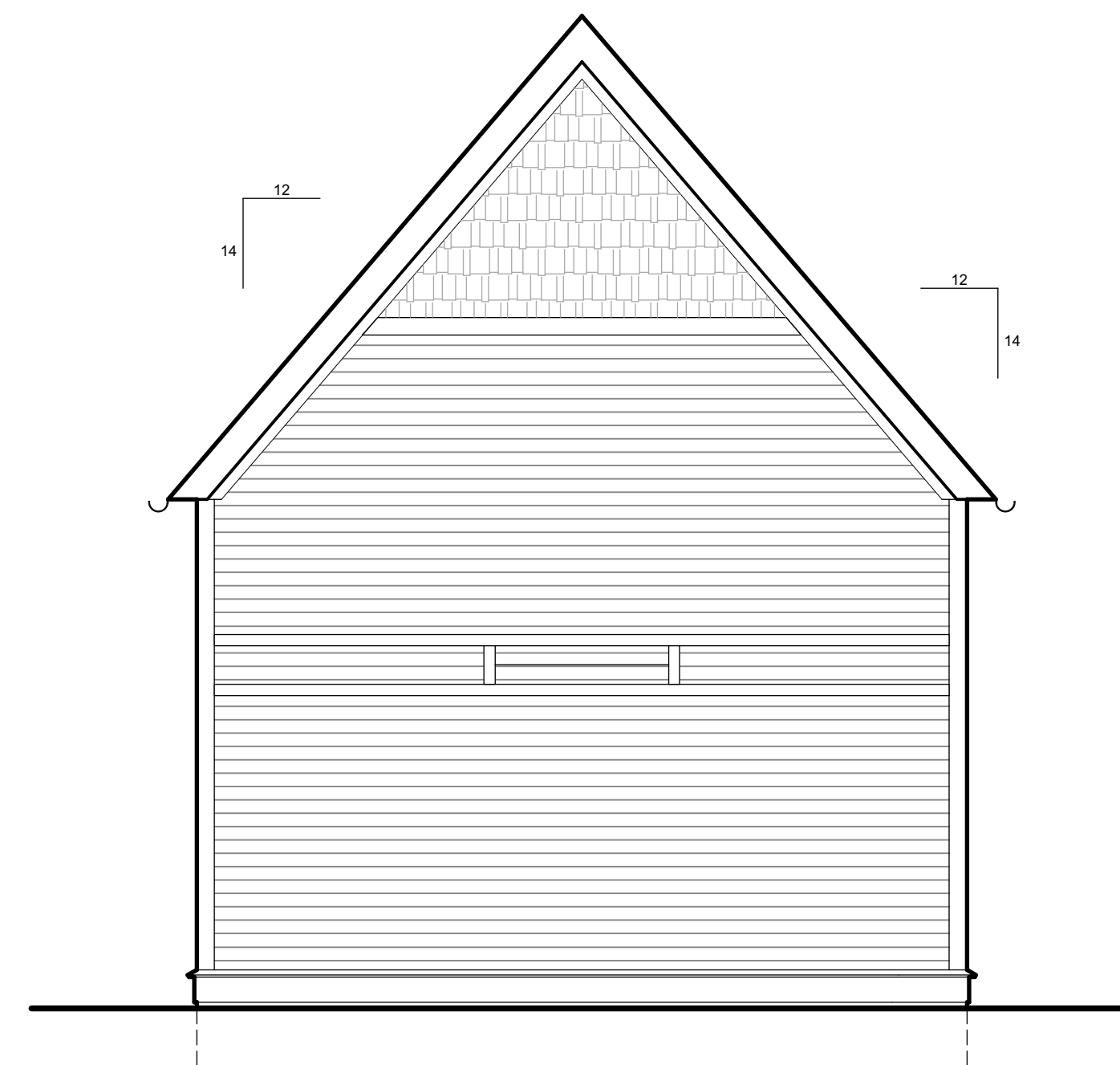


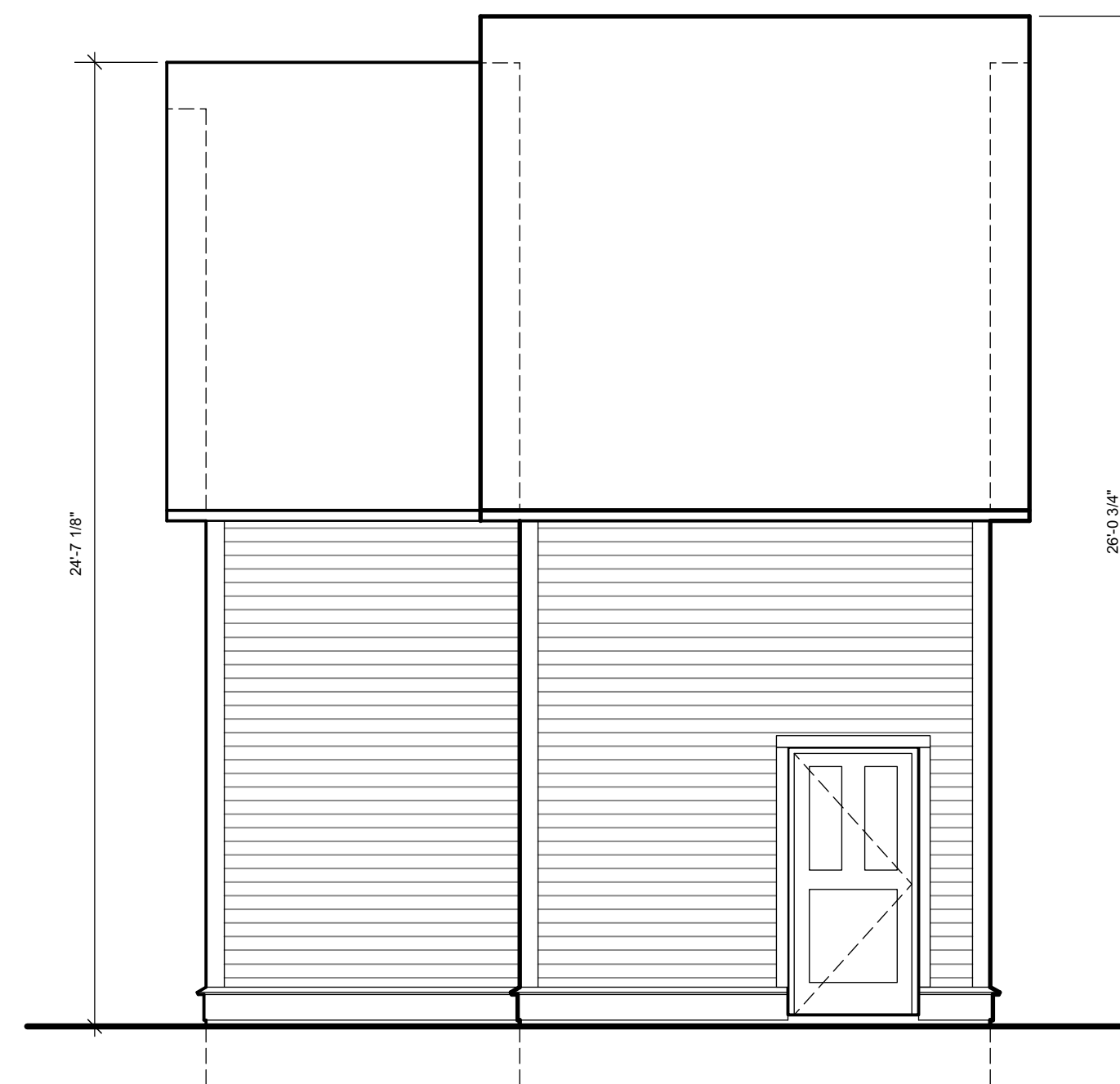
1 FRONT (SOUTH) ELEVATION
SCALE: 1/4" = 1'-0"



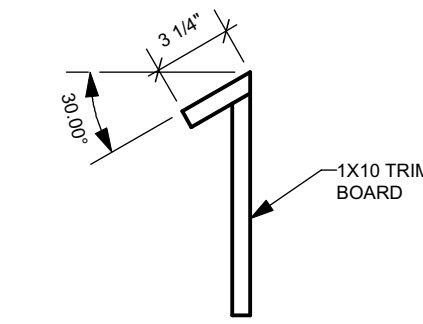
2 SIDE (WEST/ALLEY) ELEVATION
SCALE: 1/4" = 1'-0"



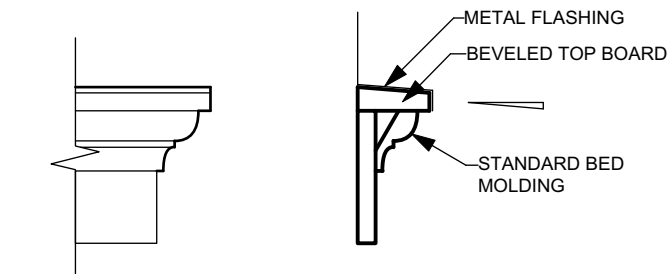
3 REAR (NORTH) ELEVATION
SCALE: 1/4" = 1'-0"



4 SIDE (EAST) ELEVATION
SCALE: 1/4" = 1'-0"



5 WATER TABLE DETAIL
SCALE: 1 1/2" = 1'-0"



6 DECORATIVE MOLDING
SCALE: 1 1/2" = 1'-0"

COLOR SCHEME TO MATCH EXISTING HOUSE

HPC REVIEW SET 8/30/18

Project **NEW DETACHED GARAGE**

Sheet Title
EXTERIOR ELEVATIONS

Revisions

--/--/----

Date: 8/30/2018

Job NO.: 18-154

Sheet No.

A2.1

114 W. LLOYD STREET
MILWAUKEE, WI 53212

OWNERSHIP OF DOCUMENTS
This document, and the ideas and design incorporated herein as an instrument of professional service, is the sole property of Koz+i+te+cture and is not to be used in whole or in part for any other project or purpose without the expressed written authorization of Koz+i+te+cture.

Koz+i+te+cture
It's not simply Architecture, it's Koz+i+te+cture
David J. Koscielniak AIA ALA
Cell: (414) 303-6469
koz@kozitecture.com
12310 West Waterford Avenue
Greenfield, Wisconsin 53228
www.kozitecture.com