

Project Title
ASCENSION

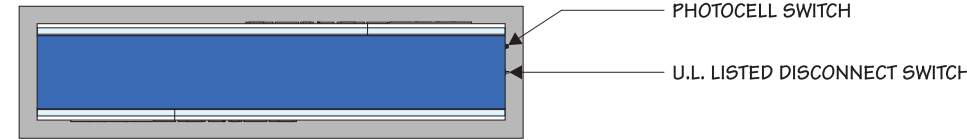
Date 11.21.17

AGI EoR D. SELBY
Lead Draftsman MPK
Drawn By MPK
Project Mgr. S. CHADWELL

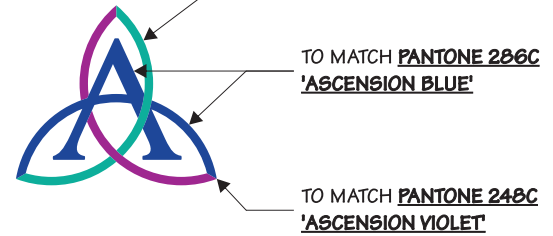
General Sign Specifications

- Interior Exterior
 - Single Faced Double Faced
 - Non-Illuminated
 - Illuminated
- _____ Volts _____ Amps(+/-)

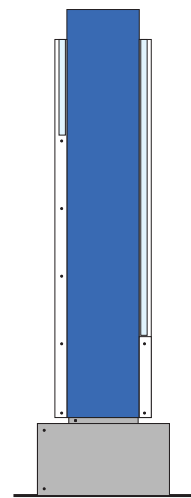
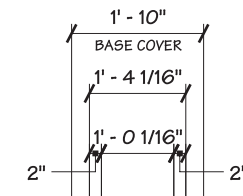
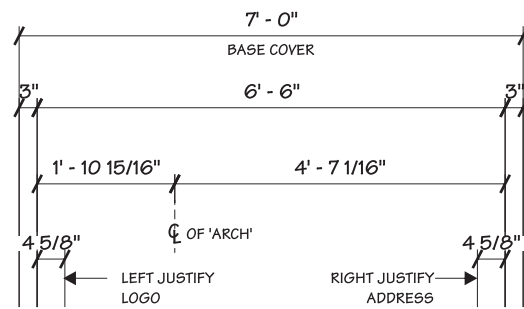
Location _____
Windload _____



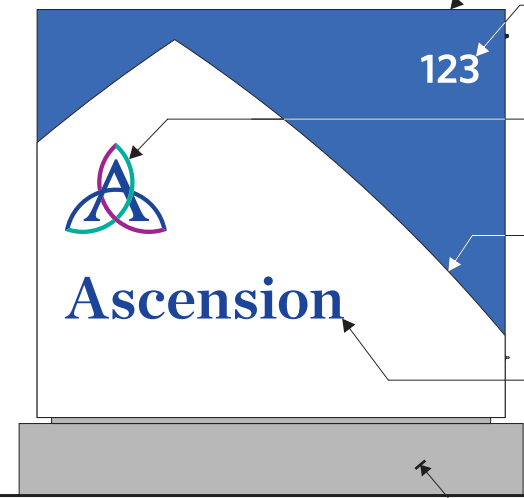
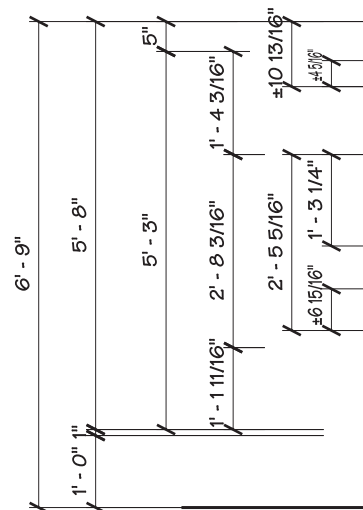
1 PLAN VIEW
1 3/8" = 1' - 0"



5 LOGO DETAIL
1 N.T.S.



2 LEFT SIDE VIEW
1 3/8" = 1' - 0"



3 FRONT ELEVATION
1 3/8" = 1' - 0"

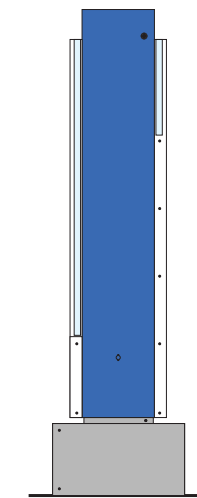
FABRICATED ALUM. CABINET IS **PAINTED**
MP77904 R163470 SV SATIN V1.0 MIX TO MATCH PMS 285C
'ASCENSION MEDIUM BLUE' W/ SATIN FINISH ON FACE & RETURNS

ADDRESS COPY IS **SURFACE APPLIED REFLECTIVE**
3M #680-10 'WHITE' VINYL
-COPY STYLE IS WHITNEY SEMIBOLD
'ASCENSION EMBLEM' IS PUSH-THRU 'CLEAR' ACRYLIC AS FOLLOWS:
- **FIRST SURFACE APPLIED 3M SCOTCHCAL 3630-20 'WHITE' VINYL**
- **DIGITALLY PRINTED TO MATCH LOGO DETAIL**
- **SECOND SURFACE APPLIED 3M DIFFUSER 36-35-70 (60% LIGHT TRANSMISSION)**

HALO-LIT ARCH IS FABRICATED EXTRUSION
PAINTED MP59581 R163470 SV SATIN V1.0 'WHITE'
W/ SATIN FINISH ON ALL EXPOSED SURFACES

'ASCENSION' IS PUSH-THRU CLEAR ACRYLIC AS FOLLOWS:
- **FIRST SURFACE APPLIED 3M SCOTCHCAL 3630-20 'WHITE' VINYL**
- **DIGITALLY PRINTED TO MATCH PMS 286C**
- **SECOND SURFACE APPLIED 3M DIFFUSER 36-35-70 (60% LIGHT TRANSMISSION)**
- COPY STYLE IS WHITNEY SEMIBOLD

BASE COVER IS **PAINTED MP91279 R163470**
SV SATIN V1.0 FLNA 9151 'LIGHT GRAY' W/ SATIN FINISH
ON ALL EXPOSED SURFACES



4 RIGHT SIDE VIEW
1 3/8" = 1' - 0"

Drawing Revisions	Date	By	Change				

This document is the sole property of Architectural Graphics, Inc., and all design, manufacturing, reproduction, use and sale rights regarding the same are expressly forbidden. It is submitted under a confidential relationship, for a special purpose, and the recipient, by accepting this document assumes custody and agrees that this document will not be copied or reproduced in whole or in part, nor its contents revealed in any manner or to any person except for the purpose for which it was tendered, nor any special features peculiar to this design be incorporated in other projects.

Code ASC **Type** C

Sign Type MON-47-BW **PG #:** 1

General Sign Specifications

- Interior Exterior
 Single Faced Double Faced
 Non-Illuminated
 Illuminated
 _____ Volts _____ Amps(+/-)

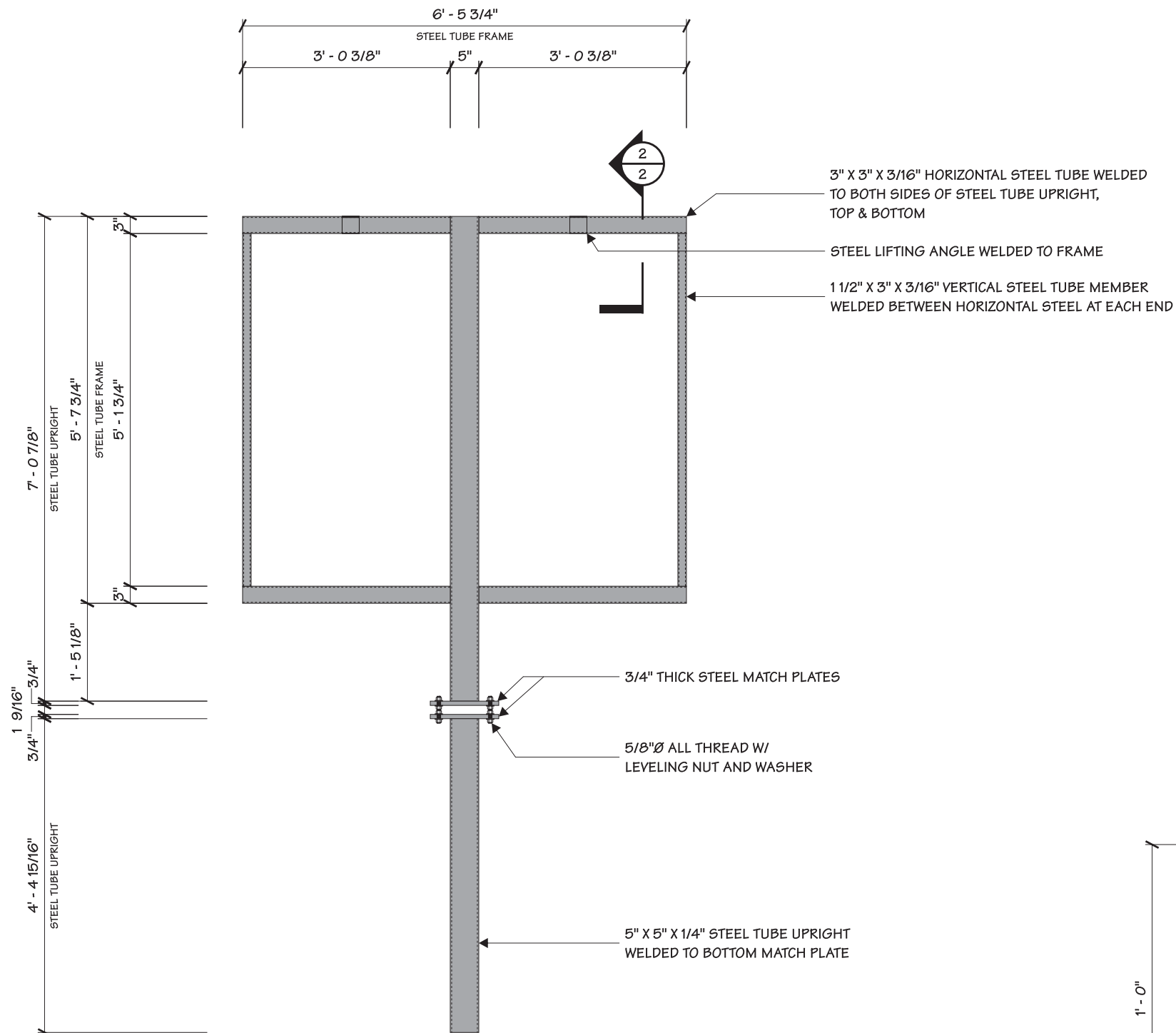
Location _____
Windload _____

Drawing Revisions	Change
Drawn By	
Date	

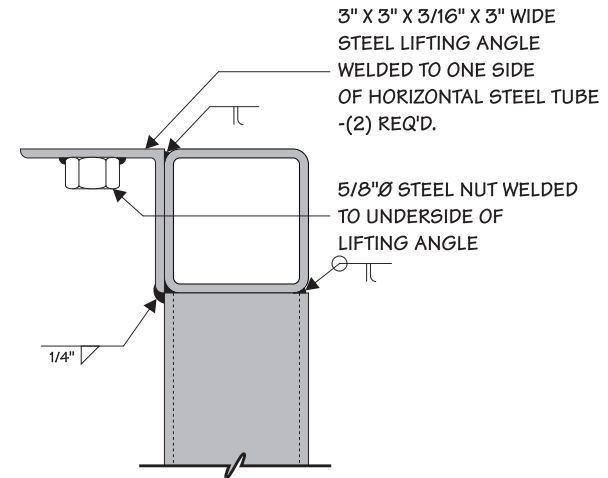
This document is the sole property of Architectural Graphics, Inc., and all design, manufacturing, reproduction, use and sale rights regarding the same are expressly forbidden. It is submitted under a confidential relationship, for a special purpose, and the recipient, by accepting this document assumes custody and agrees that this document will not be copied or reproduced in whole or in part, nor its contents revealed in any manner or to any person except for the purpose for which it was tendered, nor any special features peculiar to this design be incorporated in other projects.

Code **ASC** **Type** **C**

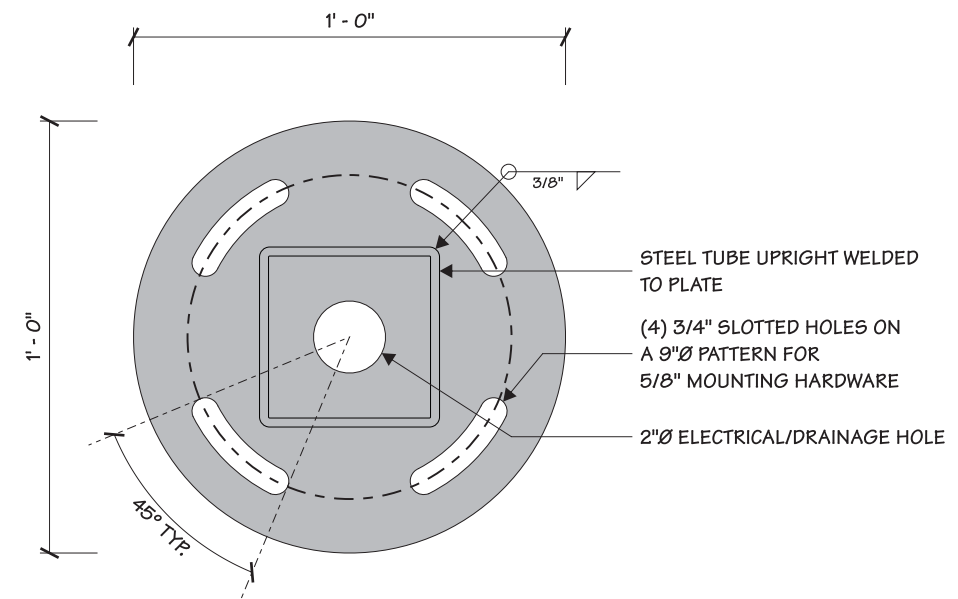
Sign Type **MON-47-BW** **PG #:** **2**



1
2 **STRUCTURAL STEEL**
1/2" = 1' - 0"



2
2 **LIFTING DETAIL**
1/4" = 1"



3
2 **MATCH PLATE DETAIL**
3/16" = 1"

Project Title
ASCENSION

Date 11.21.17

AGI EoR D. SELBY
Lead Draftsman MPK
Drawn By MPK
Project Mgr. S. CHADWELL

General Sign Specifications

- Interior Exterior
 - Single Faced Double Faced
 - Non-Illuminated
 - Illuminated
- _____ Volts _____ Amps(+/-)

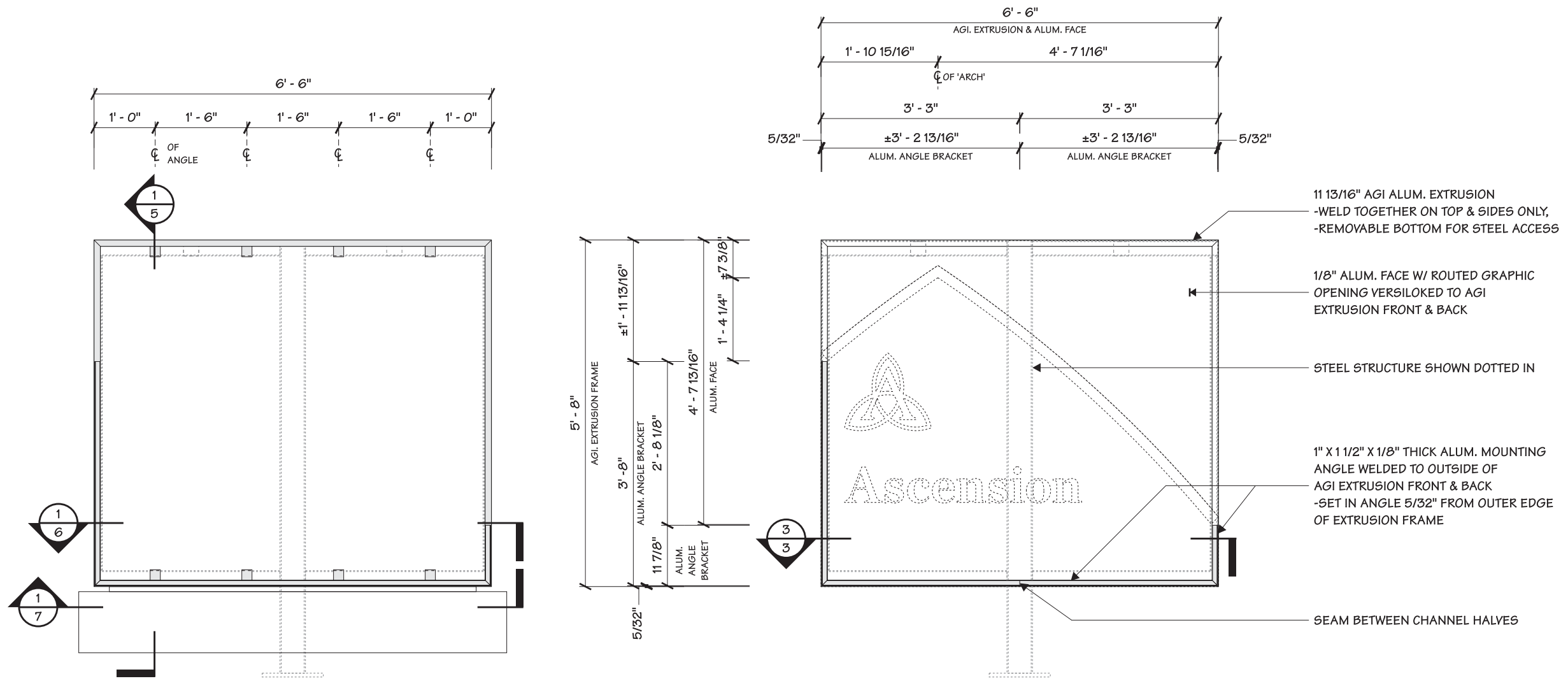
Location _____
Windload _____

Drawing Revisions		Change
Drawn By	Date	

This document is the sole property of Architectural Graphics, Inc., and all design, manufacturing, reproduction, use and sale rights regarding the same are expressly forbidden. It is submitted under a confidential relationship, for a special purpose, and the recipient, by accepting this document assumes custody and agrees that this document will not be copied or reproduced in whole or in part, nor its contents revealed in any manner or to any person except for the purpose for which it was tendered, nor any special features peculiar to this design be incorporated in other projects.

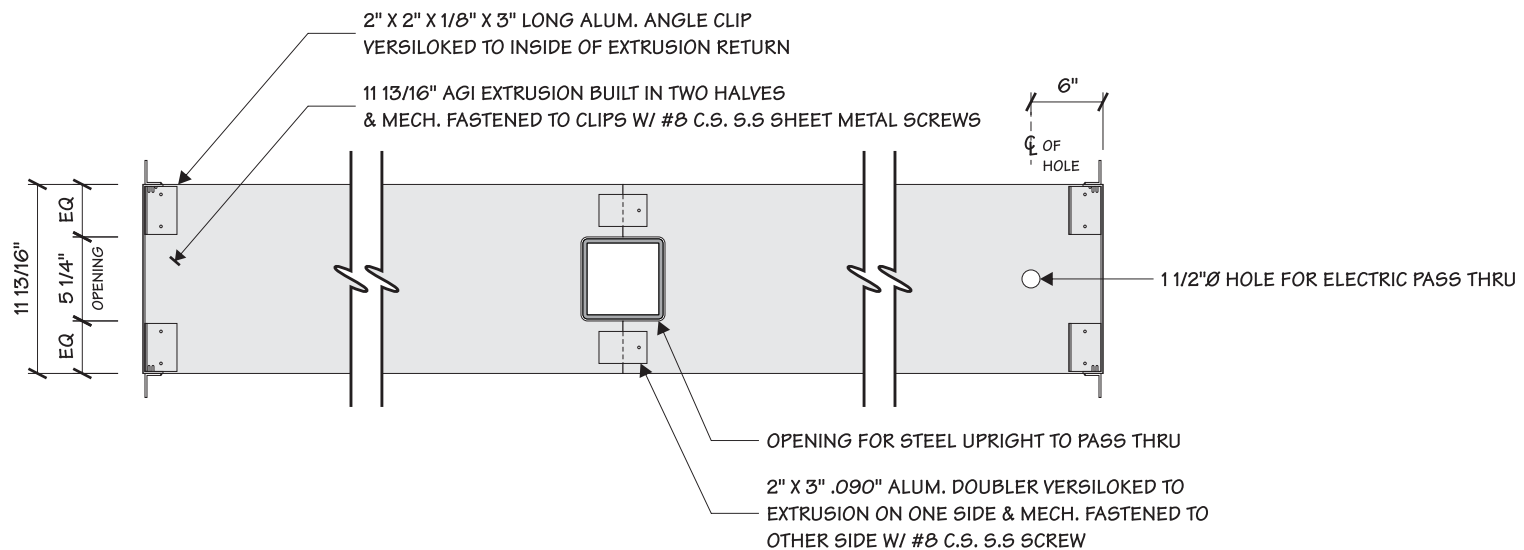
Code **ASC** **Type** **C**

Sign Type **MON-47-BW** **PG #:** **3**



1 CABINET ASSEMBLY
 1/2" = 1' - 0"

2 STRUCTURAL ALUMINUM - MAIN CABINET
 1/2" = 1' - 0"



3 SECTION VIEW
 1" = 1' - 0"

NOTES:
 1.) LOGO & COPY OUTLINES FOR VISUAL REFERENCE ONLY; REFER TO SCALED LAYOUT PAGE FOR EXACT MESSAGE CONTENT AT EACH LOCATION.

Project Title
 **ASCENSION**

Date 11.21.17

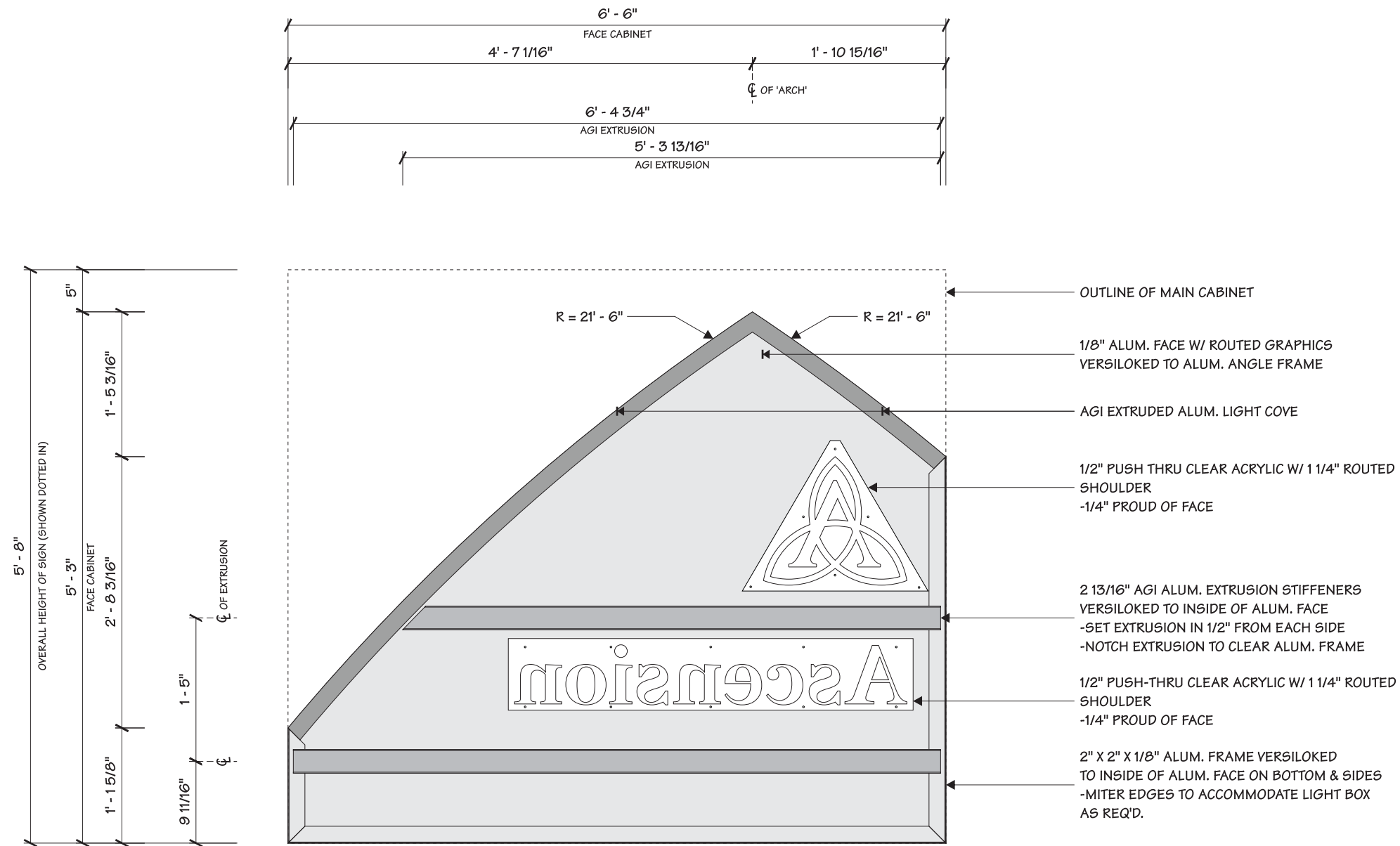
AGI EoR D. SELBY
Lead Draftsman MPK
Drawn By MPK
Project Mgr. S. CHADWELL

General Sign Specifications

Interior Exterior
 Single Faced Double Faced
 Non-Illuminated
 Illuminated

____ Volts ____ Amps(+/-)

Location _____
Windload _____



1 STRUCTURAL ALUMINUM - FACE PANEL (INSIDE VIEW)
4 3/4" = 1' - 0"

Drawing Revisions		Change
Drawn By	Date	
▲▲▲▲▲▲▲▲▲▲▲▲▲▲▲▲		

This document is the sole property of Architectural Graphics, Inc., and all design, manufacturing, reproduction, use and sale rights regarding the same are expressly forbidden. It is submitted under a confidential relationship, for a special purpose, and the recipient, by accepting this document assumes custody and agrees that this document will not be copied or reproduced in whole or in part, nor its contents revealed in any manner or to any person except for the purpose for which it was tendered, nor any special features peculiar to this design be incorporated in other projects.

Code	Type
ASC	C
Sign Type	PG #:
MON-47-BW	4

<input type="checkbox"/> Interior	<input checked="" type="checkbox"/> Exterior
<input type="checkbox"/> Single Faced	<input checked="" type="checkbox"/> Double Faced
<input type="checkbox"/> Non-Illuminated	<input checked="" type="checkbox"/> Illuminated

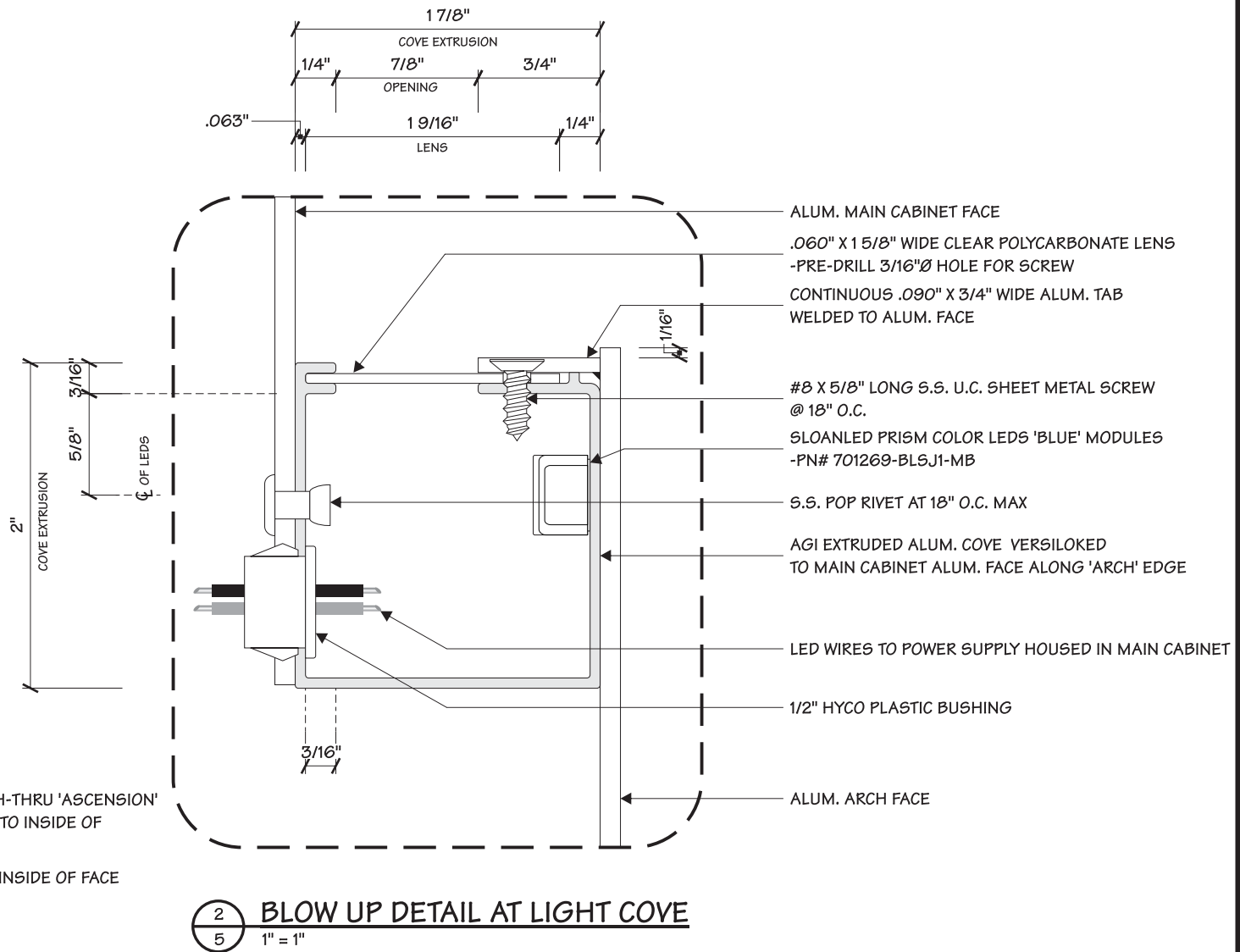
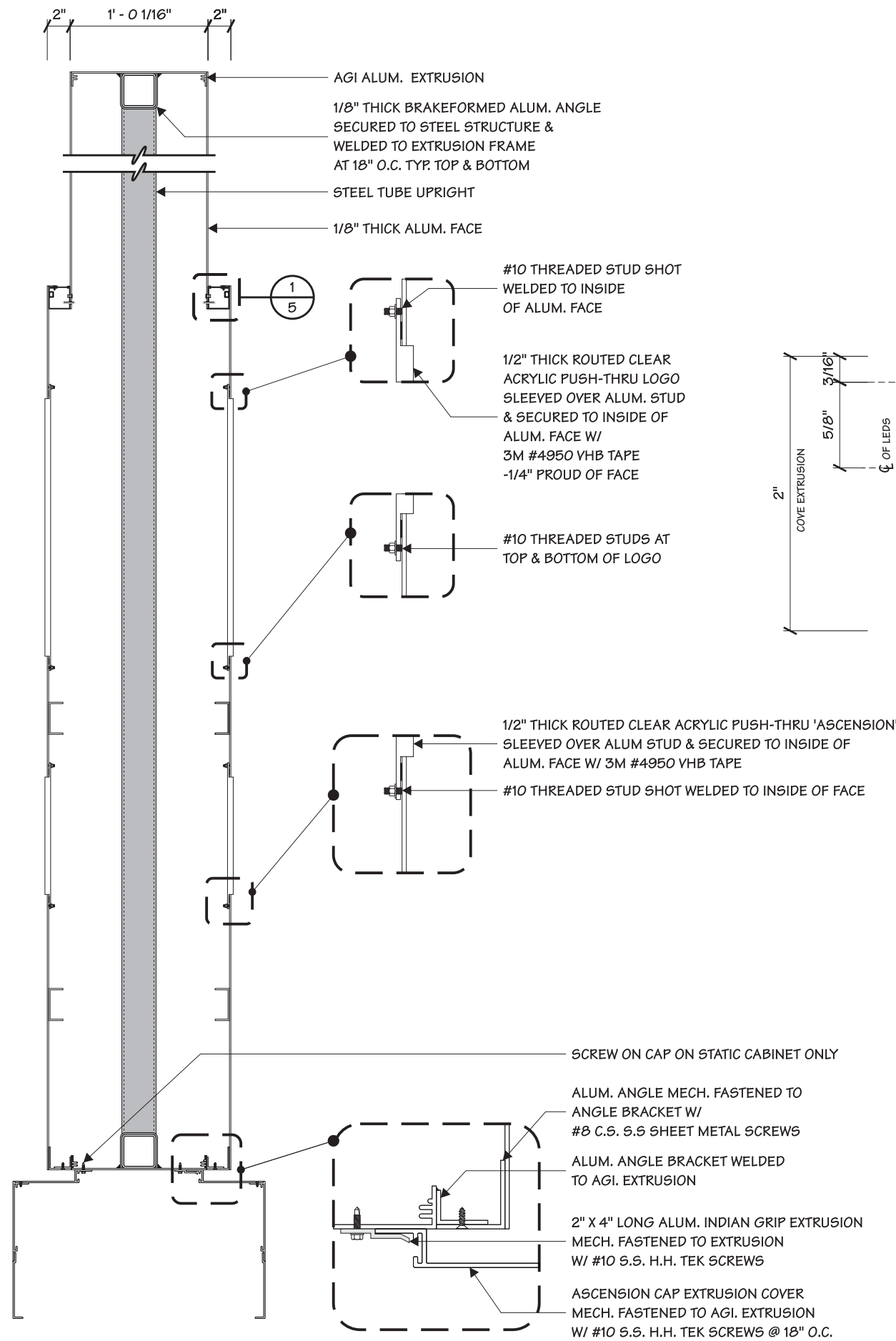
_____ Volts _____ Amps(+/-)

Drawing Revisions	Change	Date	By	Check	
				By	Date

This document is the sole property of Architectural Graphics, Inc., and all design, manufacturing, reproduction, use and sale rights regarding the same are expressly forbidden. It is submitted under a confidential relationship, for a special purpose, and the recipient, by accepting this document assumes custody and agrees that this document will not be copied or reproduced in whole or in part, nor its contents revealed in any manner or to any person except for the purpose for which it was tendered, nor any special features peculiar to this design be incorporated in other projects.

Code	ASC	Type	C
------	------------	------	----------

Sign Type	MON-47-BW	PG #:	5
-----------	------------------	-------	----------



Project Title



Date 11.21.17

AGI EoR D. SELBY

Lead Draftsman MPK

Drawn By MPK

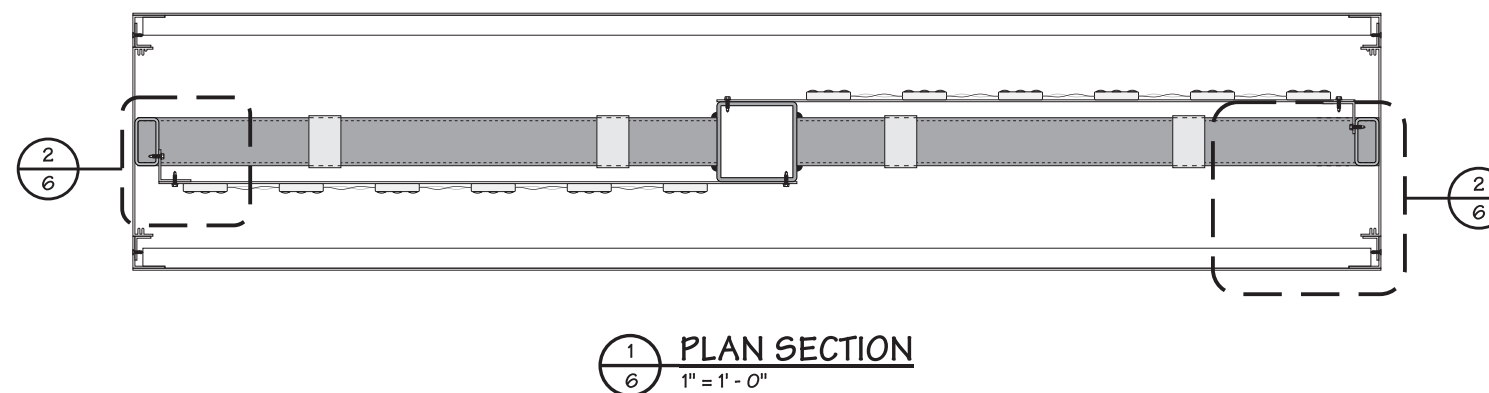
Project Mgr. S. CHADWELL

General Sign Specifications

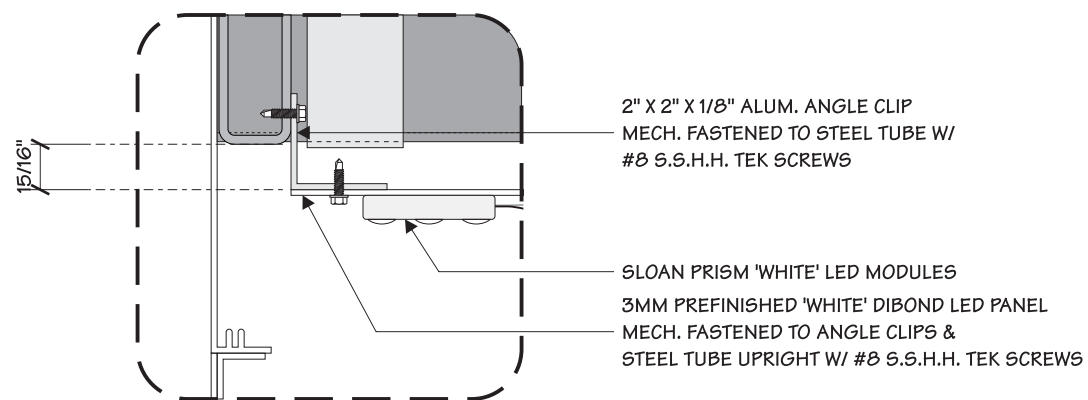
- Interior Exterior
- Single Faced Double Faced
- Non-Illuminated
- Illuminated
- _____ Volts _____ Amps(+/-)

Location _____

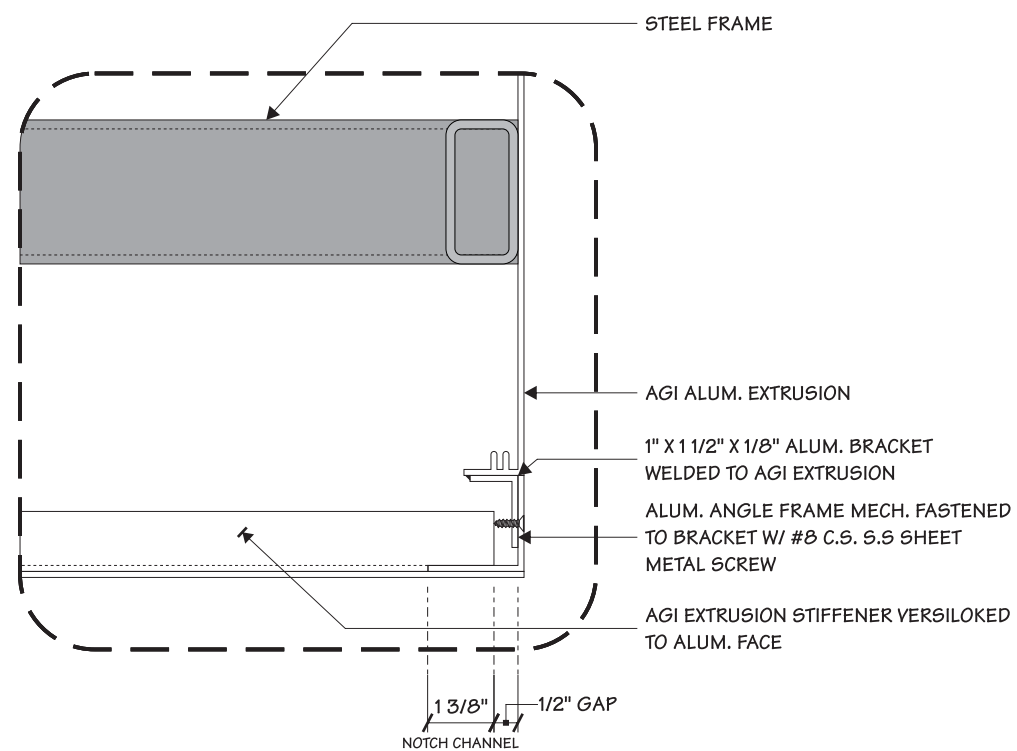
Windload _____



1 PLAN SECTION
 1" = 1'-0"



2 BLOW UP DETAIL
 1/4" = 1"



3 BLOW UP DETAIL
 1/4" = 1"

Drawing Revisions	Change	Date	By	Check

This document is the sole property of Architectural Graphics, Inc., and all design, manufacturing, reproduction, use and sale rights regarding the same are expressly forbidden. It is submitted under a confidential relationship, for a special purpose, and the recipient, by accepting this document assumes custody and agrees that this document will not be copied or reproduced in whole or in part, nor its contents revealed in any manner or to any person except for the purpose for which it was tendered, nor any special features peculiar to this design be incorporated in other projects.

Code ASC	Type C
Sign Type MON-47-BW	PG #: 6

General Sign Specifications

- Interior Exterior
- Single Faced Double Faced
- Non-Illuminated
- Illuminated

_____ Volts _____ Amps(+/-)

Location _____

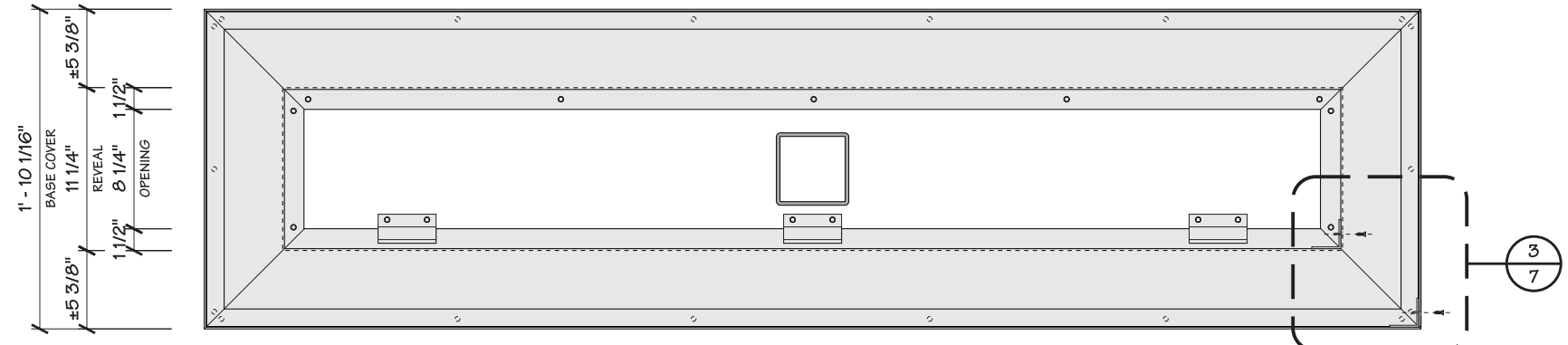
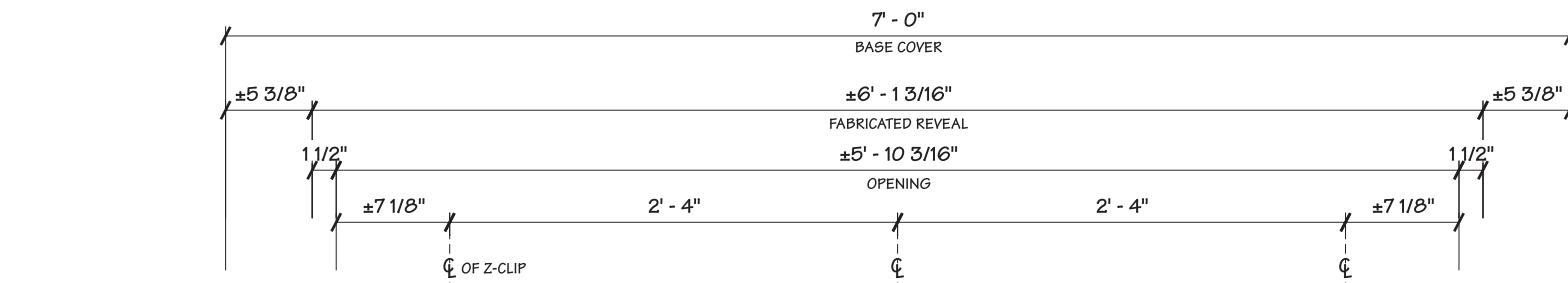
Windload _____

Drawing Revisions	Change	Change	
		Date	By

This document is the sole property of Architectural Graphics, Inc., and all design, manufacturing, reproduction, use and sale rights regarding the same are expressly forbidden. It is submitted under a confidential relationship, for a special purpose, and the recipient, by accepting this document assumes custody and agrees that this document will not be copied or reproduced in whole or in part, nor its contents revealed in any manner or to any person except for the purpose for which it was tendered, nor any special features peculiar to this design be incorporated in other projects.

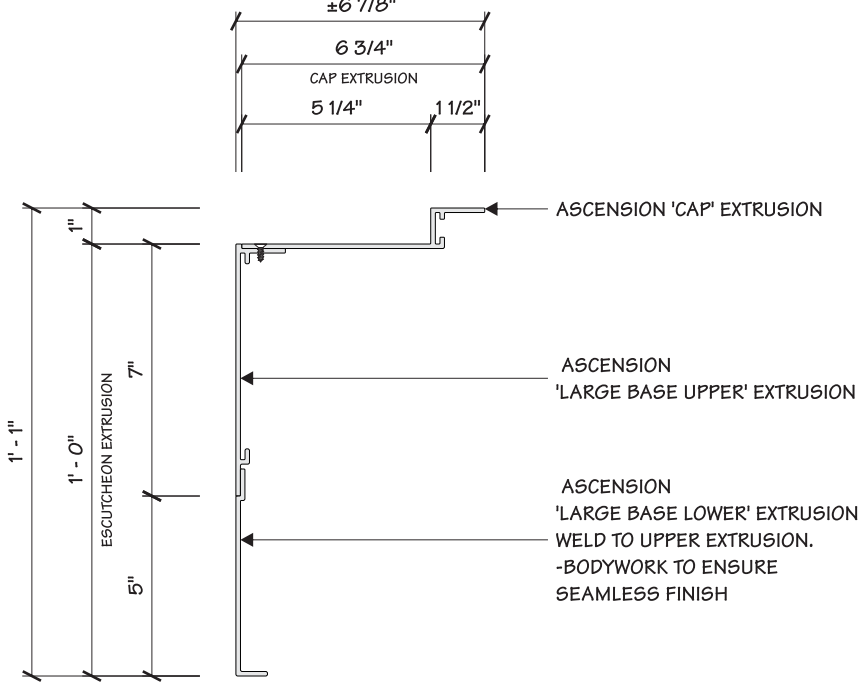
Code **ASC** **Type** **C**

Sign Type **MON-47-BW** **PG #:** **7**

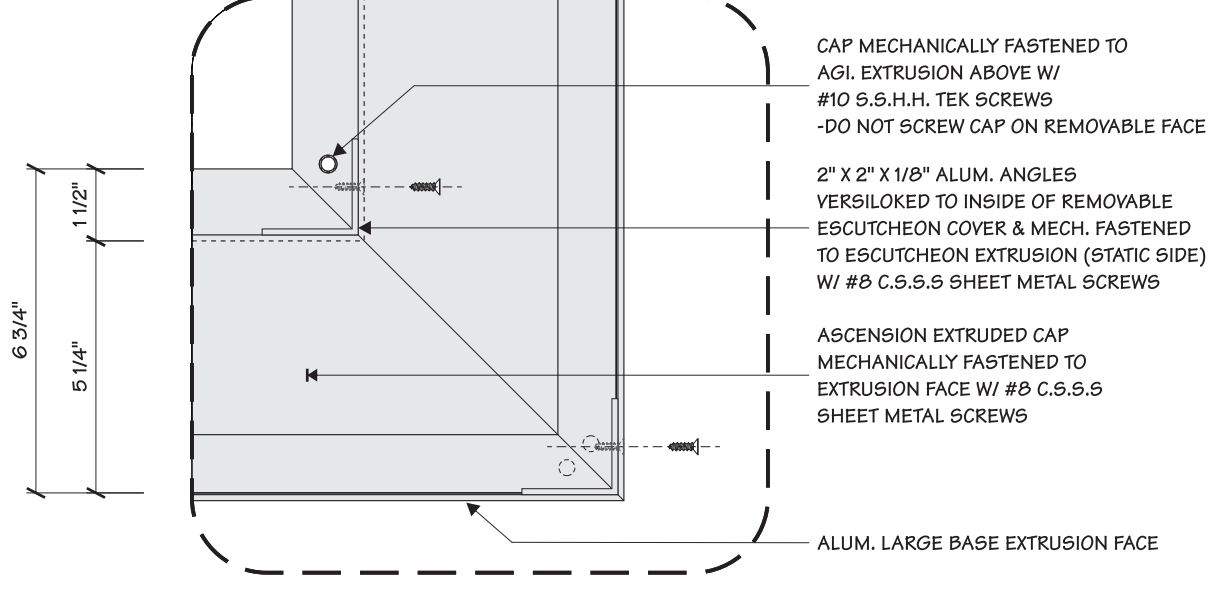


REMOVABLE ESCUTCHEON
 COVER THIS SIDE ONLY
 -SLIDE THRU Z-CLIPS
 & MECH. FASTENED TO STATIC COVER

ESCUTCHEON PLAN VIEW (BOTTOM SIDE)
 1" = 1'-0"



ESCUTCHEON DETAIL
 2" = 3/16" = 1"



BLOW UP DETAIL
 3" = 1/4" = 1"

Project Title

 **ASCENSION**

Date **11.21.17**

AGI EoR **D. SELBY**

Lead Draftsman **MPK**

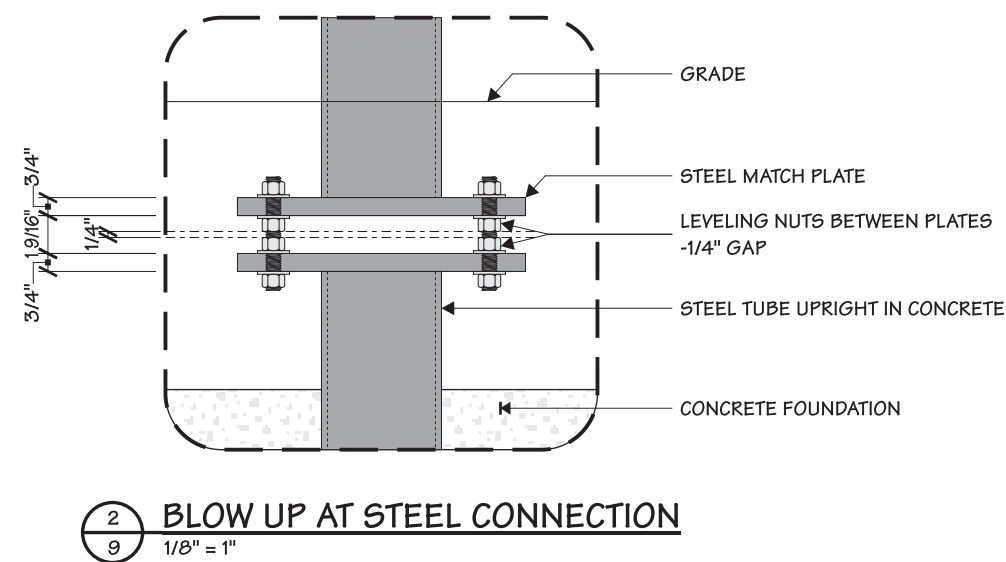
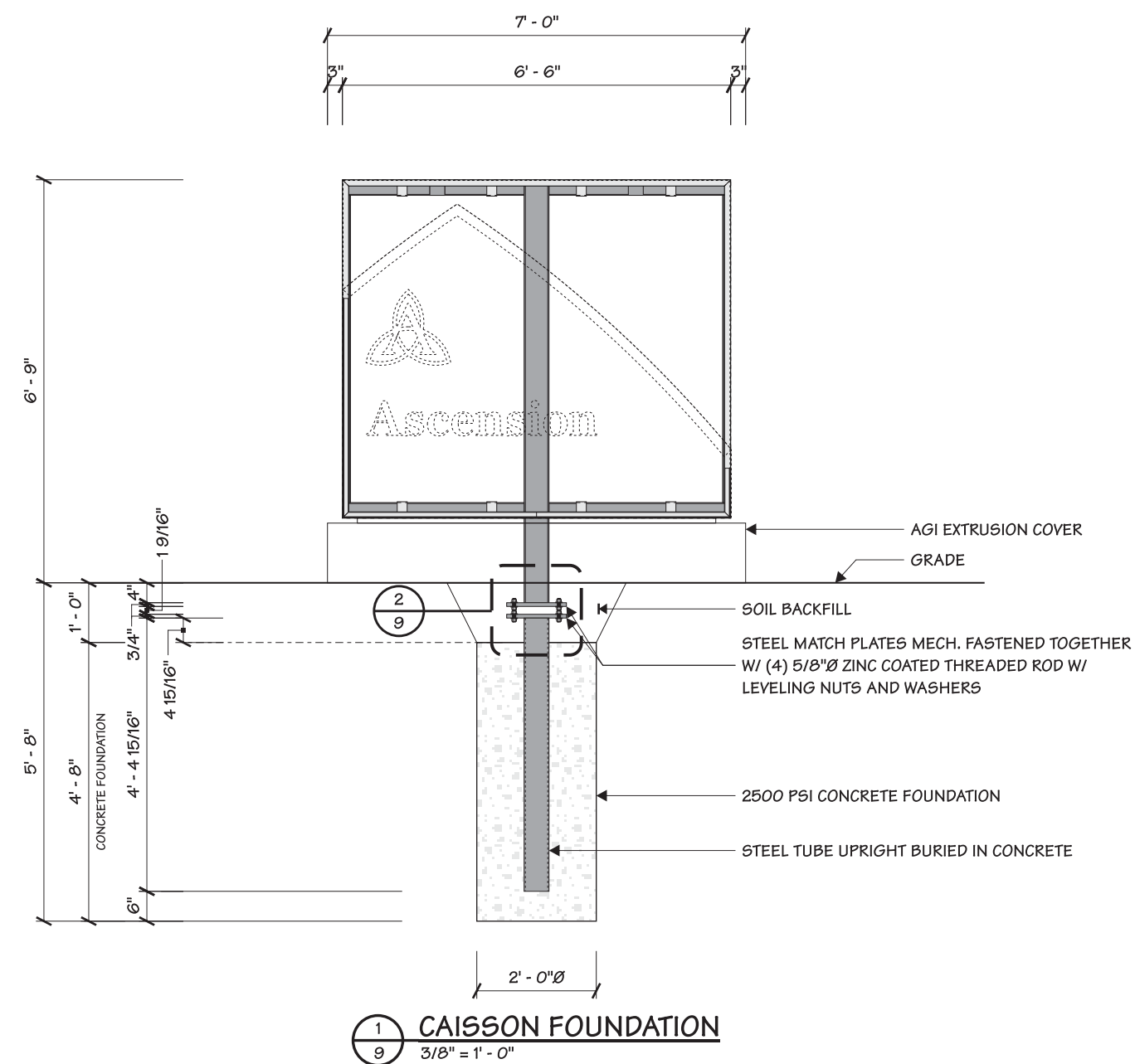
Drawn By **MPK**

Project Mgr. **S. CHADWELL**

General Sign Specifications

- Interior Exterior
 - Single Faced Double Faced
 - Non-Illuminated
 - Illuminated
- ____ Volts ____ Amps(+/-)

Location _____
Windload _____



Drawing Revisions	Change
Drawn By	
Date	

This document is the sole property of Architectural Graphics, Inc., and all design, manufacturing, reproduction, use and sale rights regarding the same are expressly forbidden. It is submitted under a confidential relationship, for a special purpose, and the recipient, by accepting this document assumes custody and agrees that this document will not be copied or reproduced in whole or in part, nor its contents revealed in any manner or to any person except for the purpose for which it was tendered, nor any special features peculiar to this design be incorporated in other projects.

Code	ASC	Type	C
Sign Type	MON-47-BW	PG #:	9

Project Title
ASCENSION

Date 11.21.17

AGI EoR D. SELBY
Lead Draftsman MPK
Drawn By MPK
Project Mgr. S. CHADWELL

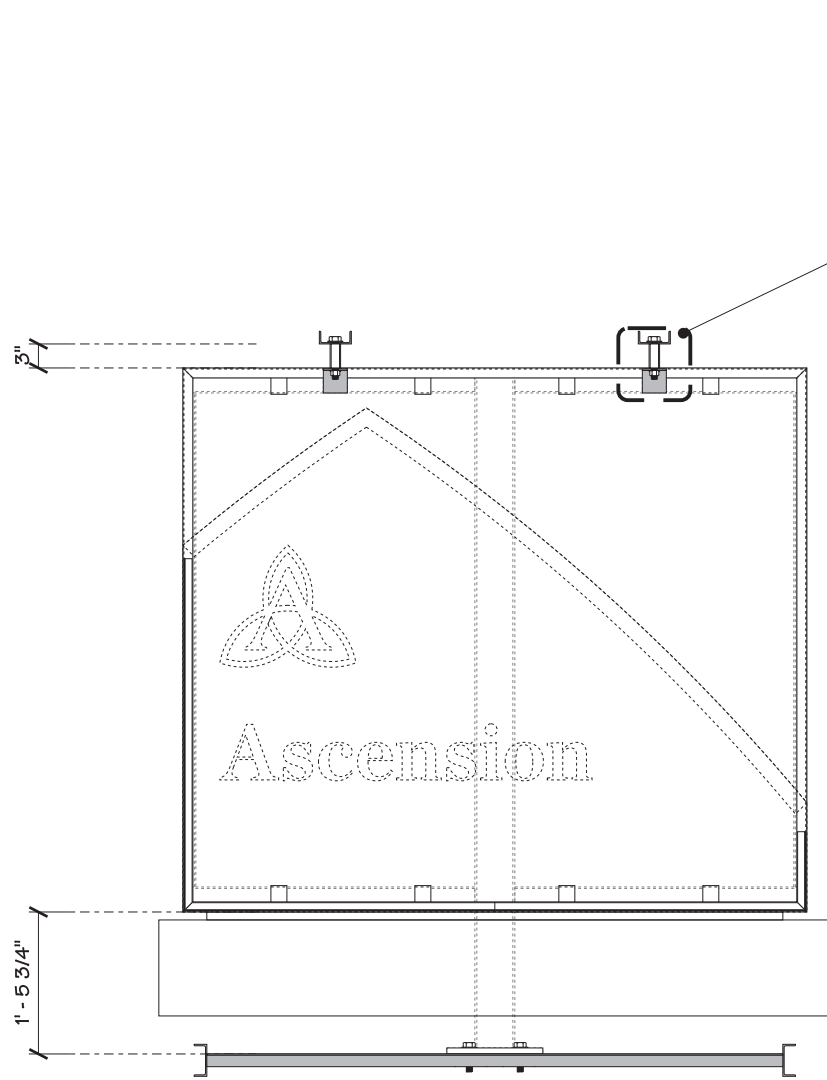
General Sign Specifications

Interior Exterior
 Single Faced Double Faced
 Non-Illuminated
 Illuminated

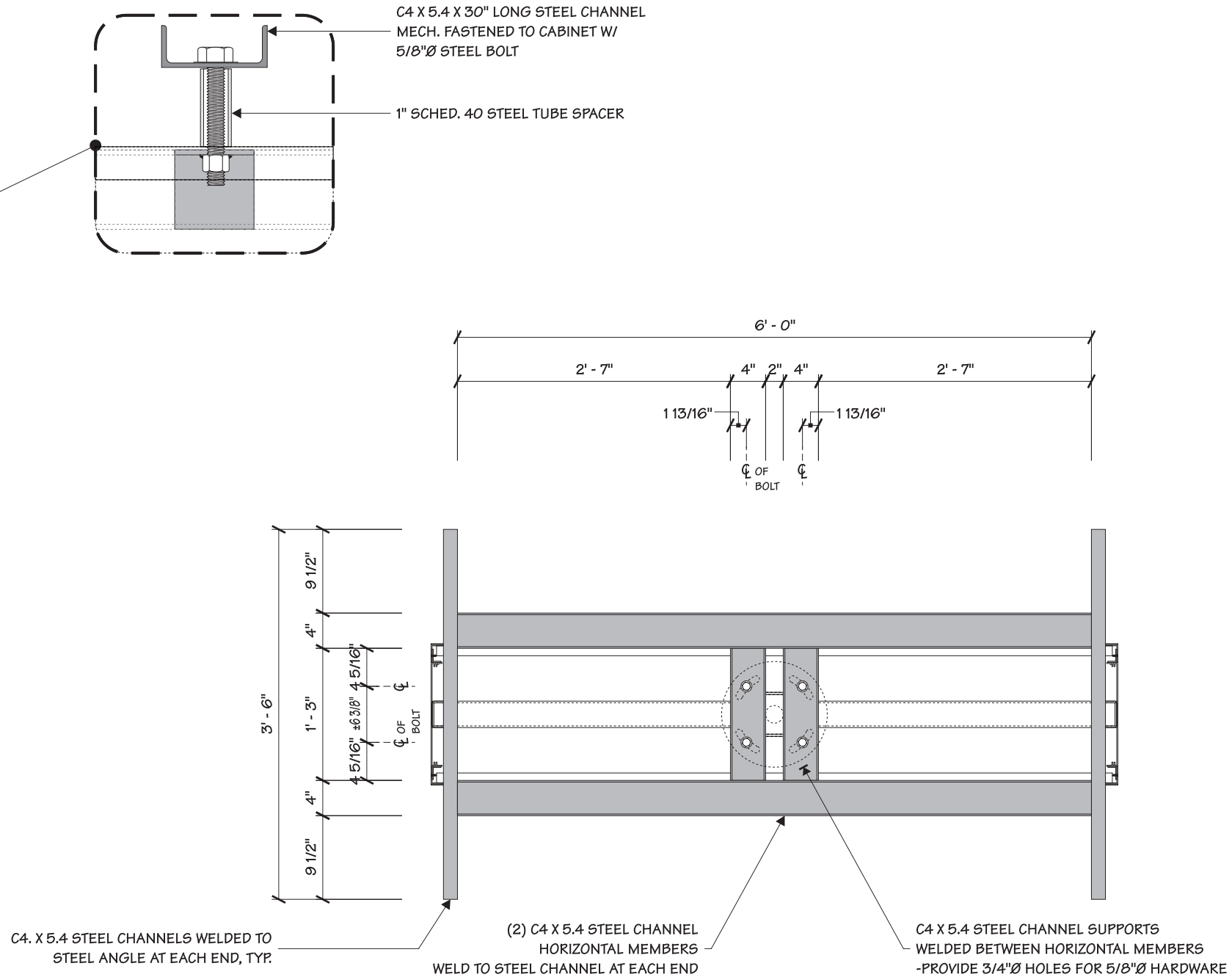
_____ Volts _____ Amps(+/-)

Location _____
Windload _____

Drawing Revisions	Change
Drawn By	
Date	



1 SHIPPING STAND
 10 1/2" = 1' - 0"



2 BOTTOM VIEW
 10 3/4" = 1' - 0"

This document is the sole property of Architectural Graphics, Inc., and all design, manufacturing, reproduction, use and sale rights regarding the same are expressly forbidden. It is submitted under a confidential relationship, for a special purpose, and the recipient, by accepting this document assumes custody and agrees that this document will not be copied or reproduced in whole or in part, nor its contents revealed in any manner or to any person except for the purpose for which it was tendered, nor any special features peculiar to this design be incorporated in other projects.

Code ASC	Type C
Sign Type MON-47-BW	PG #: 10

Project Title

 **ASCENSION**

Date 11.21.17

AGI EoR D. SELBY

Lead Draftsman MPK

Drawn By MPK

Project Mgr. S. CHADWELL

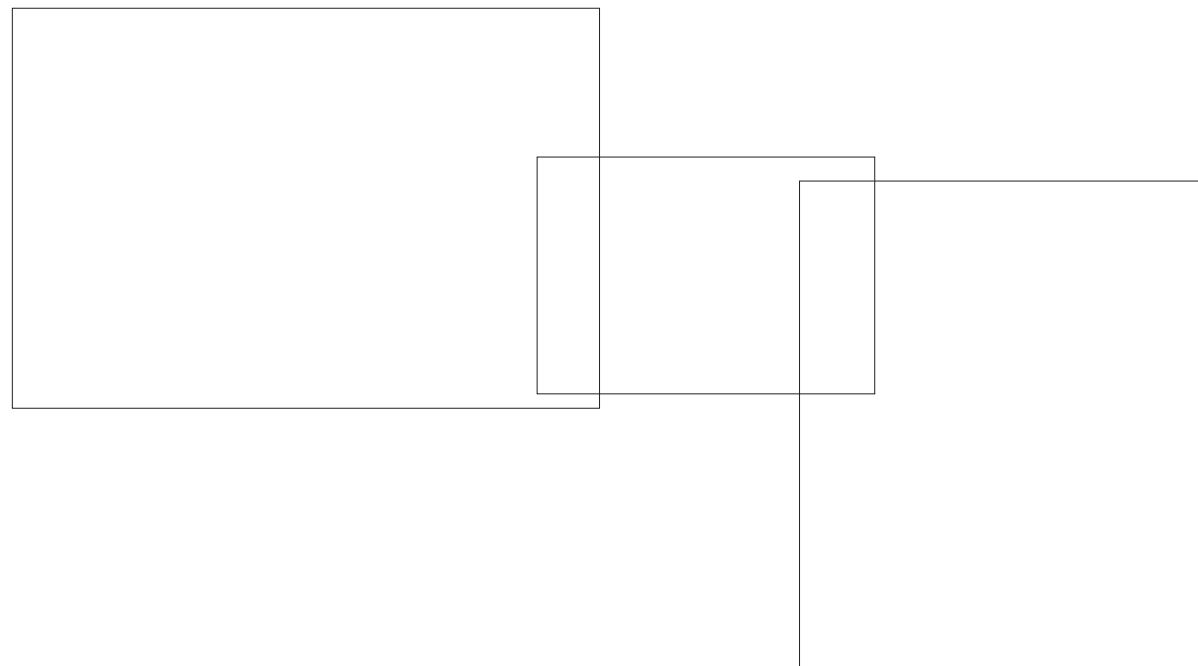
General Sign Specifications

- Interior Exterior
 Single Faced Double Faced

 Non-Illuminated
 Illuminated
 _____ Volts _____ Amps(+/-)

Location _____

Windload _____



Drawing Revisions	Drawn By	Date	Change																		

This document is the sole property of Architectural Graphics, Inc., and all design, manufacturing, reproduction, use and sale rights regarding the same are expressly forbidden. It is submitted under a confidential relationship, for a special purpose, and the recipient, by accepting this document assumes custody and agrees that this document will not be copied or reproduced in whole or in part, nor its contents revealed in any manner or to any person except for the purpose for which it was tendered, nor any special features peculiar to this design be incorporated in other projects.

Code	ASC	Type	C
Sign Type	MON-47-BW	PG #:	11