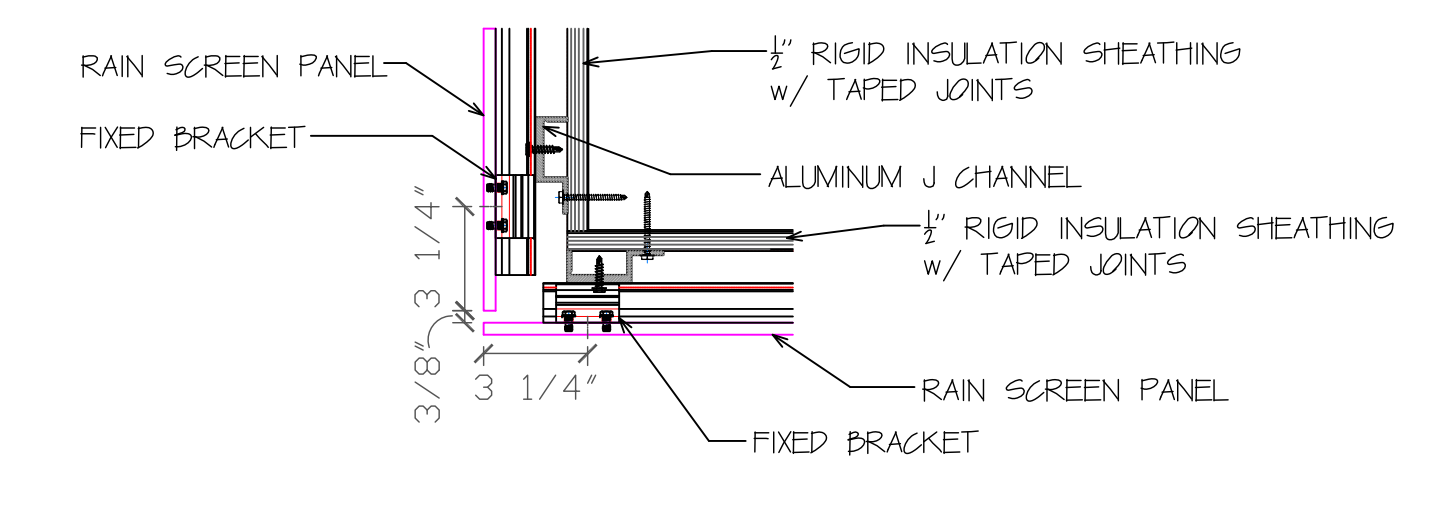
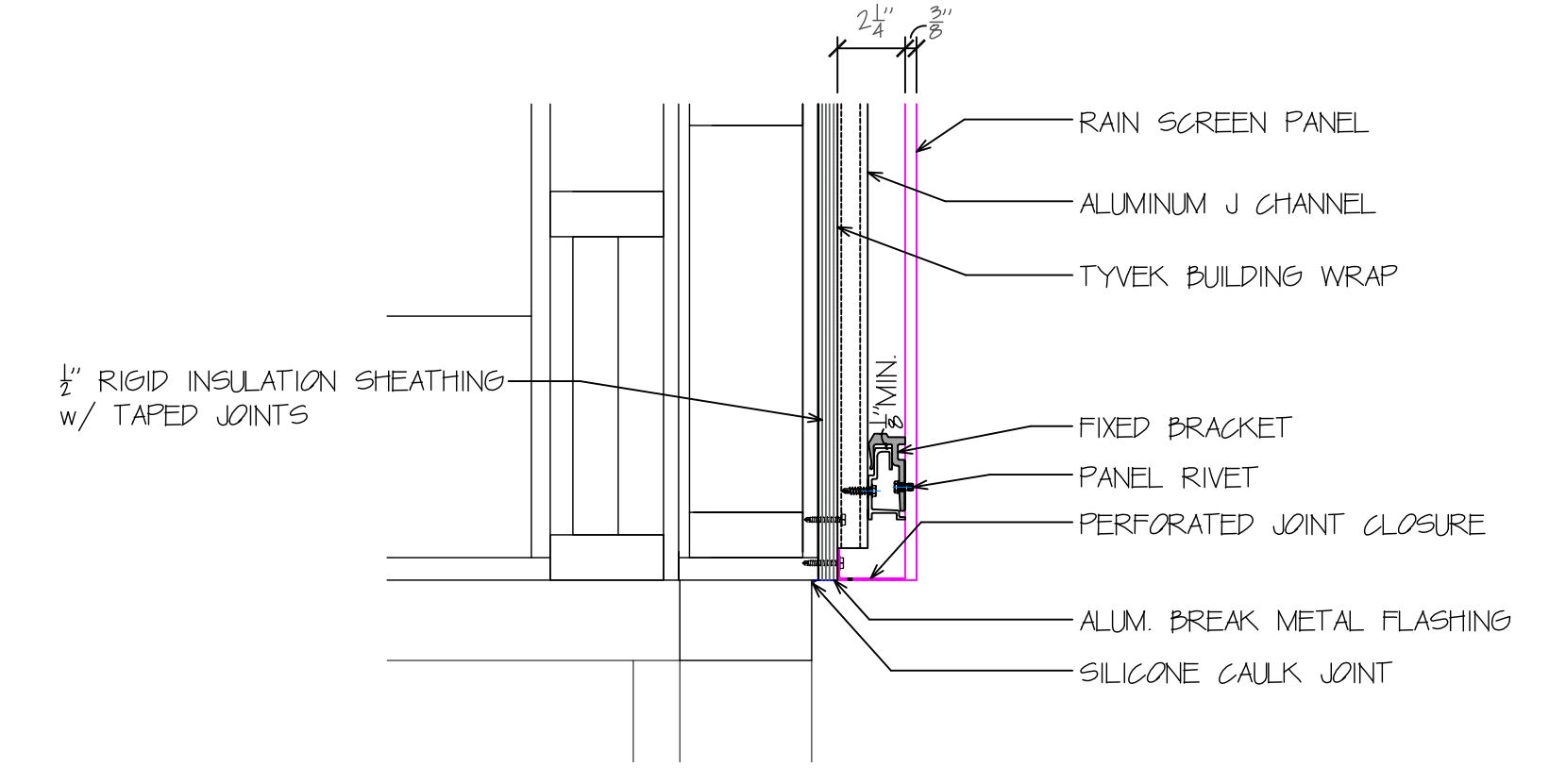
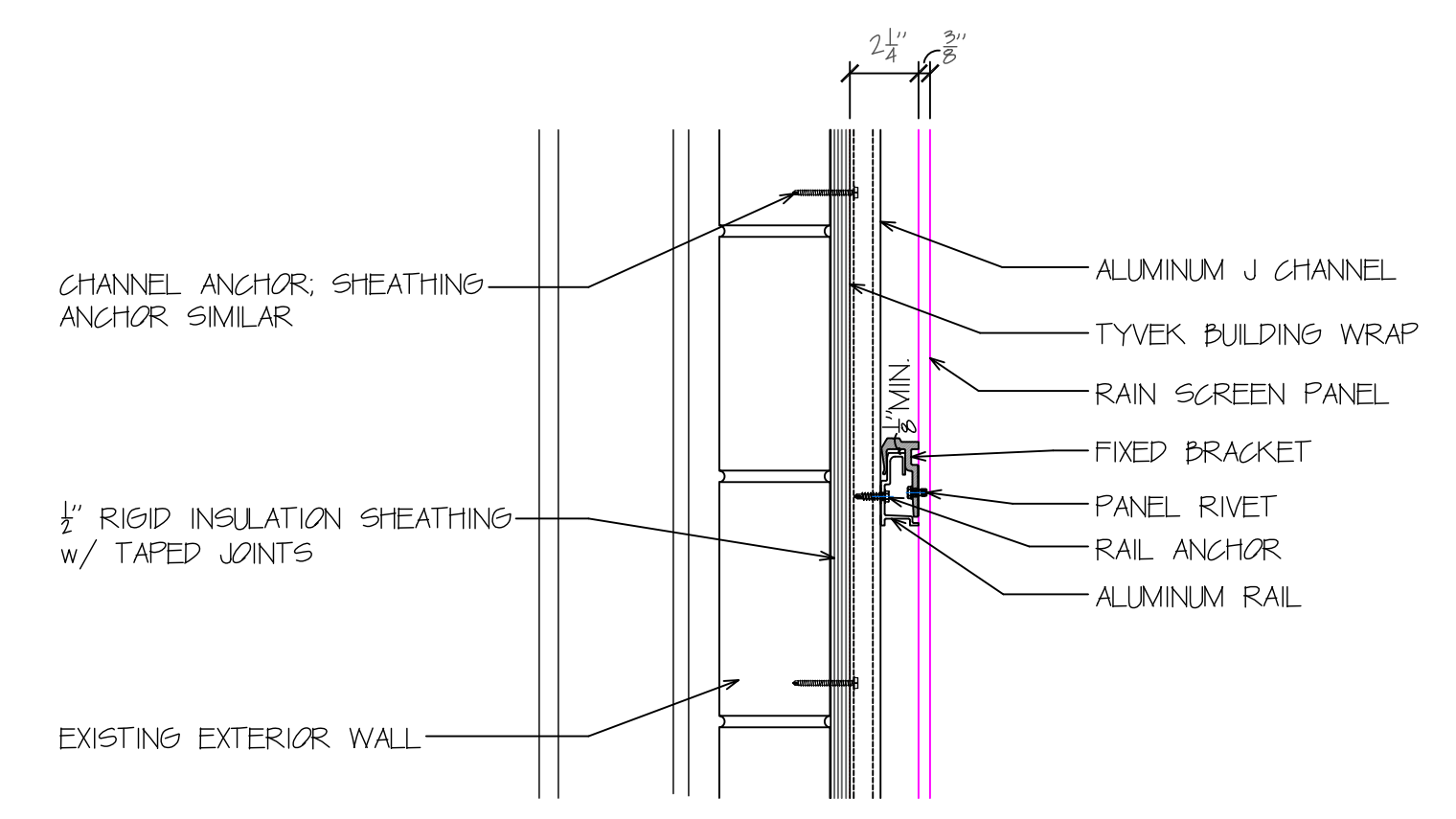
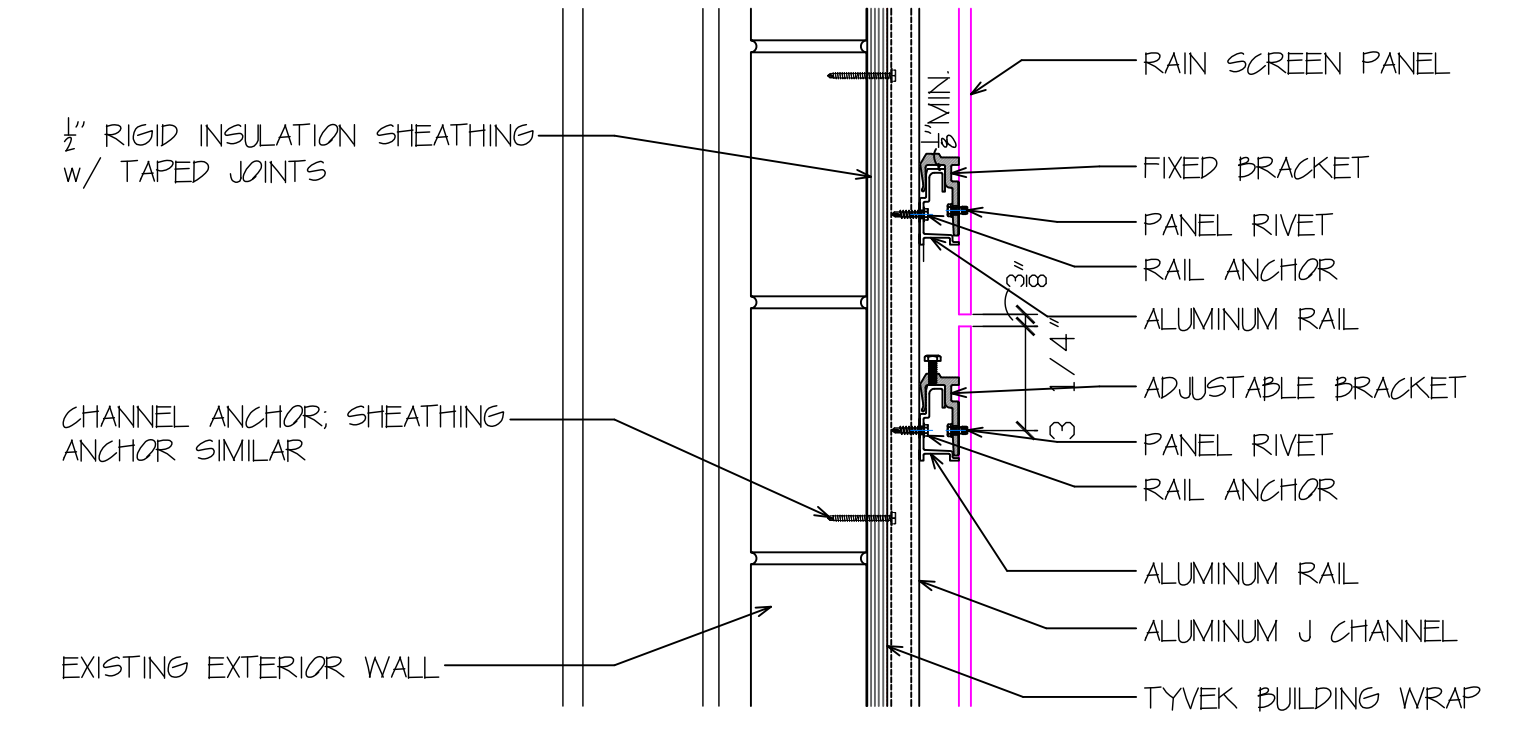


NOTE:
INSULATING WALL SHEATHING TO BE ANCHORED TO THE EXISTING BUILDING w/ MASONRY ANCHORS SPACED EVERY 12" EACH WAY. FOLLOW MANUFACTURER SPECIFICATIONS. SHIMMING MAY BE REQUIRED TO INSTALL PLUMB AND REDUCE IN/OUT WAVE WHEN ATTACHED TO SUBSTRATE.



Building Alterations
723-725 W. Historic Mitchell Street
Milwaukee, WI 53204

03-27-23

RAIN SCREEN

A-9