



# Certificate of Appropriateness

Milwaukee Historic Preservation Commission/200 E. Wells Street/Milwaukee, WI 53202/phone 414-286-5712/fax 414-286-3004

**Property** 1342 N. ASTOR ST. First Unitarian Society  
**Description of work** Install 65 solar panels on the south facing pitched roof over the sanctuary. Panels will be a black color tone.  
**Date issued** 1/8/2020 PTS ID 114895 COA solar panels

In accordance with the provisions of Section 320-21 (11) and (12) of the Milwaukee Code of Ordinances, the Milwaukee Historic Preservation Commission has issued a certificate of appropriateness for the work listed above. The work was found to be consistent with preservation guidelines. The following conditions apply to this certificate of appropriateness:

**Panel faces must be substantially black as shown below. This certificate is void if the structural calculations provided by Blodgett Engineering that are signed, stamped, and dated 1/3/2020 are not acceptable to DNS.**

All work must be done in a craftsman-like manner, and must be completed within one year of the date this certificate was issued. Staff must approve any changes or additions to this certificate before work begins. Work that is not completed in accordance with this certificate may be subject to correction orders or citations. If you require technical assistance, please contact Historic Preservation staff as follows: Phone: (414) 286-5712 E-mail: hpc@milwaukee.gov.

If permits are required, you are responsible for obtaining them from the Milwaukee Development Center. If you have questions about permit requirements, please consult the Development Center's web site, [www.milwaukee.gov/build](http://www.milwaukee.gov/build), or call (414) 286-8210.

City of Milwaukee Historic Preservation Staff

Copies to: Development Center, Ald. Robert Bauman, Contractor, Inspector Corey Schuett

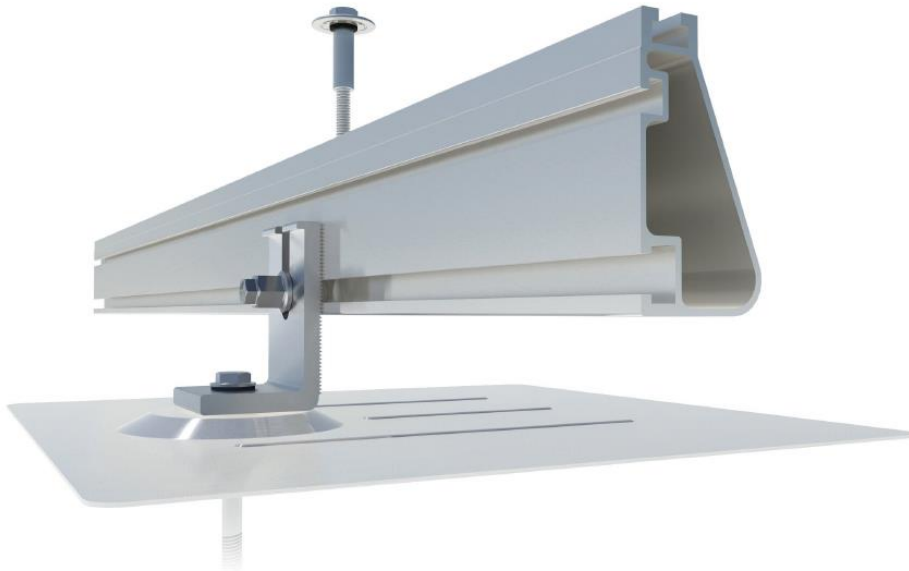
PROPOSED PANELS - south-facing sanctuary roof



Only the panels on the south slope of the church sanctuary are part of this review. Other arrows point to previously approved installations or are not within the HPC's jurisdiction.

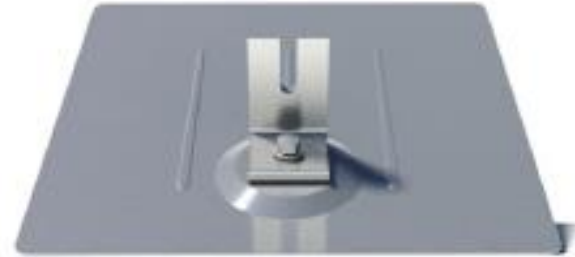


### Flush Mount System



Use Ironridge mounting system.

### FlashFoot



Anchor, flash, and mount with all-in-one attachments.

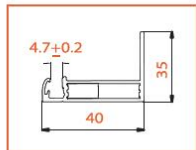
- Ships with all hardware
- IBC & IRC compliant
- Certified with XR Rails

# PS-M72 (365-380 W) AMMAN

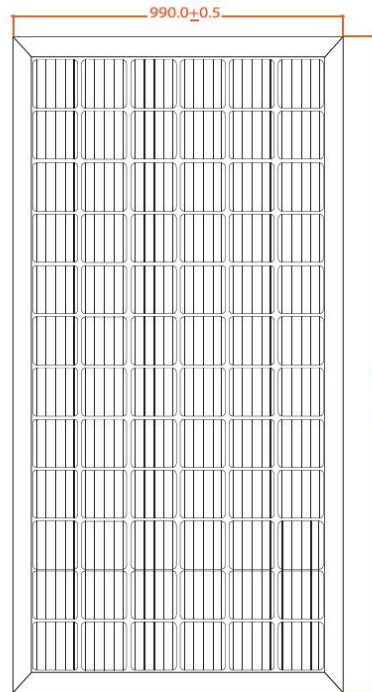
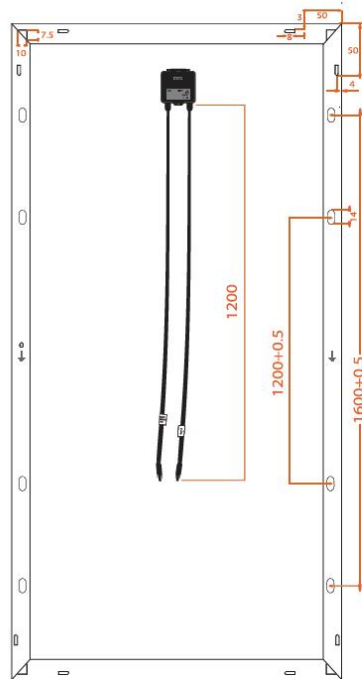
## MONO-CRYSTALLINE MODULE



**Philadelphia Solar**  
Delivering Clean Energy Solutions



● DIMENSIONS ARE IN MM.



PS-M72 Dimensions

Panel details.