

T-Mobile stick together®

T-Mobile
stick together

8550 BRYN MAWR, SUITE 100
CHICAGO, ILLINOIS 60631

Insite inc.
RealEstate Consulting Services

1S660 MIDWEST RD. STE. 140
OAKBROOK TERRACE, IL 60161

FULLERTON
ENGINEERING-DESIGN

1100 E. WOODFIELD ROAD, SUITE 500
SCHAUMBURG, ILLINOIS 60173
TEL: 847-908-8400
COA# 3620-11
www.FullertonEngineering.com

SITE NAME: SOUTHSIDE HEALTH CENTER R PROJECT TYPE: SPLIT SECTOR

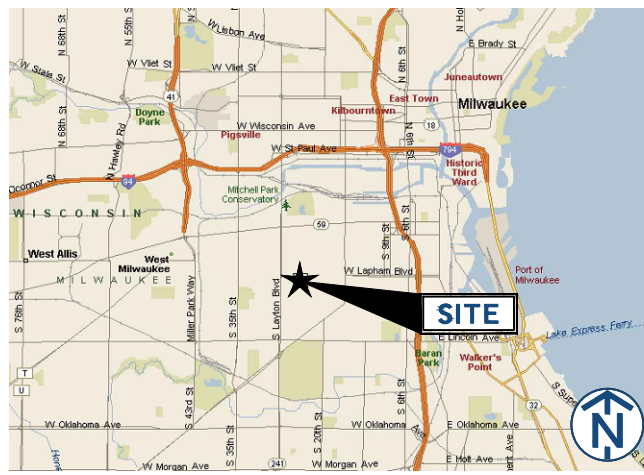



SITE NUMBER: ML10014C

SITE TYPE: ROOFTOP

JURISDICTION: CITY OF MILWAUKEE

CITY: MILWAUKEE, WI 53204

SITE ADDRESS: 1640 S. 24TH STREET

REGIONAL MAP	SCOPE OF WORK	PROJECT INFORMATION	SHEET INDEX																																														
	<p>SCOPE OF WORK:</p> <ol style="list-style-type: none"> 1. REPLACE (2) EXISTING ANTENNAS W/ (2) NEW ANTENNAS 2. INSTALL (1) NEW FHFB RF MODULE & NEW RF JUMPERS 3. INSTALL (1) NEW FRIJ RF MODULE & NEW RF JUMPERS 4. INSTALL (1) NEW CUBE 5. RELOCATE EXISTING MODULES TO NEW CUBE 6. REUSE EXISTING ANTENNAS AND EXISTING HYBRID CABLES 7. INSTALL (2) NEW TWIN DIPLEXERS 8. INSTALL (1) NEW BOTTOM COVP <p>CONTRACTOR SHALL FURNISH ALL MATERIAL WITH THE EXCEPTION OF T-MOBILE SUPPLIED MATERIAL. ALL MATERIAL SHALL BE INSTALLED BY CONTRACTOR, UNLESS STATED OTHERWISE</p>	<p>SITE NAME: SOUTHSIDE HEALTH CENTER R SITE NUMBER: ML10014C</p> <p>SITE ADDRESS: 1640 S. 24TH STREET MILWAUKEE, WI 53204 MILWAUKEE</p> <p>COUNTY: MILWAUKEE ZONING JURISDICTION: CITY OF MILWAUKEE</p> <p>SOURCE: (FROM RFDS) LATITUDE: 43.01339815° LONGITUDE: -87.94326852° GROUND ELEVATION: 679'</p> <p>TOWER/PROPERTY OWNER: CONTACT: - ADDRESS:</p> <p>EMAIL: PHONE:</p> <p>PROJECT MANAGER: CONTACT: INSITE RE, INC. KAROL FAHEY ADDRESS: 1S660 MIDWEST RD. STE. 140 OAKBROOK TERRACE, IL 60161 kfahey@insite-inc.com 708-359-7638</p> <p>SITE ACQUISITION: CONTACT: INSITE RE, INC. KAROL FAHEY EMAIL: kfahey@insite-inc.com PHONE: 708-359-7638</p> <p>A&E FIRM: CONTACT: FULLERTON ENGINEERING CONSULTANTS, INC. POLINA KOSEVA EMAIL: pkoseva@fullertonengineering.com PHONE: 847-908-8476</p>	<table border="1"> <thead> <tr> <th>SHEET</th> <th>DESCRIPTION</th> </tr> </thead> <tbody> <tr><td>T-1</td><td>TITLE SHEET</td></tr> <tr><td>C-1</td><td>COMPOUND PLAN</td></tr> <tr><td>C-2</td><td>EQUIPMENT PLAN</td></tr> <tr><td>C-3</td><td>ELEVATION</td></tr> <tr><td>C-4</td><td>ANTENNA LAYOUT</td></tr> <tr><td>C-5</td><td>EQUIPMENT DETAILS AND SPECIFICATIONS</td></tr> <tr><td>C-5A</td><td>EQUIPMENT DETAILS AND SPECIFICATIONS</td></tr> <tr><td>C-6</td><td>CONFIGURATION DIAGRAM</td></tr> <tr><td>EG-1</td><td>GROUNDING DETAILS</td></tr> </tbody> </table>	SHEET	DESCRIPTION	T-1	TITLE SHEET	C-1	COMPOUND PLAN	C-2	EQUIPMENT PLAN	C-3	ELEVATION	C-4	ANTENNA LAYOUT	C-5	EQUIPMENT DETAILS AND SPECIFICATIONS	C-5A	EQUIPMENT DETAILS AND SPECIFICATIONS	C-6	CONFIGURATION DIAGRAM	EG-1	GROUNDING DETAILS																										
SHEET	DESCRIPTION																																																
T-1	TITLE SHEET																																																
C-1	COMPOUND PLAN																																																
C-2	EQUIPMENT PLAN																																																
C-3	ELEVATION																																																
C-4	ANTENNA LAYOUT																																																
C-5	EQUIPMENT DETAILS AND SPECIFICATIONS																																																
C-5A	EQUIPMENT DETAILS AND SPECIFICATIONS																																																
C-6	CONFIGURATION DIAGRAM																																																
EG-1	GROUNDING DETAILS																																																
<p>VICINITY MAP</p> 	<p>APPLICABLE CODES</p> <p>ALL WORK AND MATERIALS SHALL BE PERFORMED AND INSTALLED IN ACCORDANCE WITH THE CURRENT EDITIONS OF THE FOLLOWING CODES AS ADOPTED BY THE LOCAL GOVERNING AUTHORITIES. NOTHING IN THIS PLANS NEEDS TO BE CONSTRUCTED TO PERMIT WORK NOT CONFORMING TO THESE CODES.</p> <p>BUILDING CODE:</p> <ul style="list-style-type: none"> • WISCONSIN COMMERCIAL BUILDING CODE • INTERNATIONAL BUILDING CODE, 2009 EDITION <p>ELECTRICAL CODE:</p> <ul style="list-style-type: none"> • NATIONAL ELECTRICAL CODE, 2011 EDITION <p>ACCESSIBILITY REQUIREMENTS:</p> <ul style="list-style-type: none"> • FACILITY IS UNMANNED AND NOT FOR HUMAN HABITATION • ADA ACCESS REQUIREMENTS ARE NOT REQUIRED • THIS FACILITY DOES NOT REQUIRE POTABLE WATER AND WILL NOT PRODUCE ANY SEWAGE 	<p>APPROVALS</p> <table border="1"> <thead> <tr> <th>PRINT NAME:</th> <th>SIGNATURE:</th> <th>DATE:</th> <th>PRINT NAME:</th> <th>SIGNATURE:</th> <th>DATE:</th> </tr> </thead> <tbody> <tr> <td>PROPERTY OWNER:</td> <td>_____</td> <td>_____</td> <td>R.F. ENGINEER</td> <td>_____</td> <td>_____</td> </tr> <tr> <td>SAC/ZONING:</td> <td>_____</td> <td>_____</td> <td>GENERAL MANAGER:</td> <td>_____</td> <td>_____</td> </tr> <tr> <td>CONSTRUCTION:</td> <td>_____</td> <td>_____</td> <td>OPERATIONS:</td> <td>_____</td> <td>_____</td> </tr> <tr> <td>REAL ESTATE:</td> <td>_____</td> <td>_____</td> <td>UTILITIES:</td> <td>_____</td> <td>_____</td> </tr> </tbody> </table>	PRINT NAME:	SIGNATURE:	DATE:	PRINT NAME:	SIGNATURE:	DATE:	PROPERTY OWNER:	_____	_____	R.F. ENGINEER	_____	_____	SAC/ZONING:	_____	_____	GENERAL MANAGER:	_____	_____	CONSTRUCTION:	_____	_____	OPERATIONS:	_____	_____	REAL ESTATE:	_____	_____	UTILITIES:	_____	_____	<table border="1"> <thead> <tr> <th>#</th> <th>DATE</th> <th>DESCRIPTION</th> <th>INT.</th> </tr> </thead> <tbody> <tr> <td>A</td> <td>9/11/17</td> <td>90% REVIEW</td> <td>EB</td> </tr> <tr> <td>0</td> <td>10/2/17</td> <td>FINAL</td> <td>PK</td> </tr> <tr> <td>1</td> <td>10/12/17</td> <td>REVISED FINAL</td> <td>KC</td> </tr> </tbody> </table> <p>HEREBY CERTIFY THAT THESE DRAWINGS WERE PREPARED BY ME OR UNDER MY DIRECT SUPERVISION AND CONTROL, AND TO THE BEST OF MY KNOWLEDGE AND BELIEF COMPLY WITH THE REQUIREMENTS OF ALL APPLICABLE CODES.</p>	#	DATE	DESCRIPTION	INT.	A	9/11/17	90% REVIEW	EB	0	10/2/17	FINAL	PK	1	10/12/17	REVISED FINAL	KC
PRINT NAME:	SIGNATURE:	DATE:	PRINT NAME:	SIGNATURE:	DATE:																																												
PROPERTY OWNER:	_____	_____	R.F. ENGINEER	_____	_____																																												
SAC/ZONING:	_____	_____	GENERAL MANAGER:	_____	_____																																												
CONSTRUCTION:	_____	_____	OPERATIONS:	_____	_____																																												
REAL ESTATE:	_____	_____	UTILITIES:	_____	_____																																												
#	DATE	DESCRIPTION	INT.																																														
A	9/11/17	90% REVIEW	EB																																														
0	10/2/17	FINAL	PK																																														
1	10/12/17	REVISED FINAL	KC																																														
<p>DRIVING DIRECTIONS</p> <p>SCAN QR CODE FOR LINK TO SITE LOCATION MAP</p> 	<p>APPROVALS</p> <table border="1"> <thead> <tr> <th>PRINT NAME:</th> <th>SIGNATURE:</th> <th>DATE:</th> <th>PRINT NAME:</th> <th>SIGNATURE:</th> <th>DATE:</th> </tr> </thead> <tbody> <tr> <td>PROPERTY OWNER:</td> <td>_____</td> <td>_____</td> <td>R.F. ENGINEER</td> <td>_____</td> <td>_____</td> </tr> <tr> <td>SAC/ZONING:</td> <td>_____</td> <td>_____</td> <td>GENERAL MANAGER:</td> <td>_____</td> <td>_____</td> </tr> <tr> <td>CONSTRUCTION:</td> <td>_____</td> <td>_____</td> <td>OPERATIONS:</td> <td>_____</td> <td>_____</td> </tr> <tr> <td>REAL ESTATE:</td> <td>_____</td> <td>_____</td> <td>UTILITIES:</td> <td>_____</td> <td>_____</td> </tr> </tbody> </table>		PRINT NAME:	SIGNATURE:	DATE:	PRINT NAME:	SIGNATURE:	DATE:	PROPERTY OWNER:	_____	_____	R.F. ENGINEER	_____	_____	SAC/ZONING:	_____	_____	GENERAL MANAGER:	_____	_____	CONSTRUCTION:	_____	_____	OPERATIONS:	_____	_____	REAL ESTATE:	_____	_____	UTILITIES:	_____	_____	 <p>DRAWING SCALED TO 11"x17"</p>																
PRINT NAME:	SIGNATURE:	DATE:	PRINT NAME:	SIGNATURE:	DATE:																																												
PROPERTY OWNER:	_____	_____	R.F. ENGINEER	_____	_____																																												
SAC/ZONING:	_____	_____	GENERAL MANAGER:	_____	_____																																												
CONSTRUCTION:	_____	_____	OPERATIONS:	_____	_____																																												
REAL ESTATE:	_____	_____	UTILITIES:	_____	_____																																												
<p>SITE NAME</p> <p>SOUTHSIDE HEALTH CENTER R</p>			<p>SITE NAME</p> <p>SOUTHSIDE HEALTH CENTER R</p>																																														
<p>SITE NO.</p> <p>ML10014C</p>			<p>SITE NO.</p> <p>ML10014C</p>																																														
<p>SITE ADDRESS</p> <p>1640 S. 24TH STREET MILWAUKEE, WI 53204</p>			<p>SITE ADDRESS</p> <p>1640 S. 24TH STREET MILWAUKEE, WI 53204</p>																																														
<p>SHEET NAME</p> <p>TITLE SHEET</p>			<p>SHEET NAME</p> <p>TITLE SHEET</p>																																														
<p>SHEET NUMBER</p> <p>T-1</p>			<p>SHEET NUMBER</p> <p>T-1</p>																																														

GENERAL ABBREVIATIONS

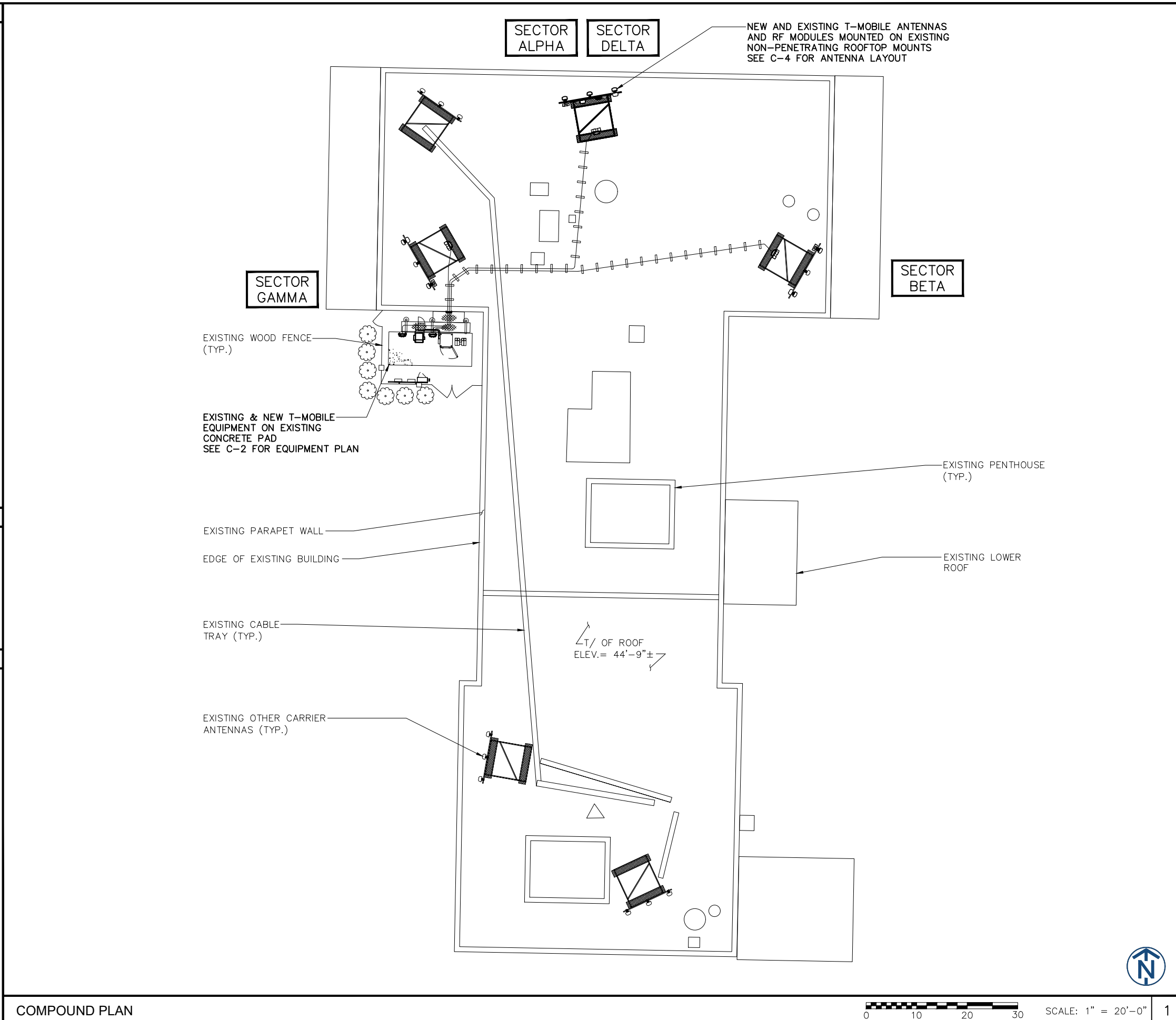
AFF	ABOVE FINISHED FLOOR
AGL	ABOVE GRADE LEVEL
AMSL	ABOVE MEAN SEA LEVEL
APPROX	APPROXIMATE
ATS	AUTOMATIC TRANSFER SWITCH
AWG	AMERICAN WIRE GAUGE
BLDG	BUILDING
CL	CENTERLINE
CLR	CLEAR
COL	COLUMN
CONC	CONCRETE
CND	CONDUIT
DWG	DRAWING
FT	FOOT(FEET)
EGB	EQUIPMENT GROUND BAR
ELEC	ELECTRICAL
EMT	ELECTRICAL METALLIC TUBING
ELEV	ELEVATION
EQUIP	EQUIPMENT
(E)	EXISTING
EXT	EXTERIOR
FND	FOUNDATION
F	FIBER
GA	GAUGE
GALV	GALVANIZED
GPS	GLOBAL POSITIONING SYSTEM
GND	GROUND
LP	LIQUID PROPANE
MAX	MAXIMUM
MFR	MANUFACTURER
MGB	MASTER GROUND BAR
MIN	MINIMUM
MTS	MANUAL TRANSFER SWITCH
N.T.S.	NOT TO SCALE
O.C.	ON CENTER
OE/OT	OVERHEAD ELECTRIC/TELCO
PPC	POWER PROTECTION CABINET
PL	PROPERTY LINE
RGS	RIGID GALVANIZED STEEL
IN	INCH(ES)
INT	INTERIOR
LB(S), #	POUND(S)
SF	SQUARE FOOT
STL	STEEL
TYP	TYPICAL
UE/UT	UNDERGROUND ELECTRIC/TELCO
UNO	UNLESS NOTED OTHERWISE
VIF	VERIFY IN FIELD
W/	WITH
XFMR	TRANSFORMER

TELECOM ABBREVIATIONS

RRU	REMOTE RADIO UNIT
TMA	TOWER MOUNTED AMPLIFIER

SYMBOLS

	REVISION
	WORK POINT
	UTILITY POLE
	BRICK
	COMPRESSED STONE
	CONCRETE
	EARTH
	GRAVEL
	CENTERLINE
	PROPERTY LINE
	LEASE LINE
	EASEMENT LINE
	FENCE
	CHAINLINK
	WOOD
	WROUGHT IRON
	ELECTRIC
	OVERHEAD
	UNDERGROUND
	FIBER
	OVERHEAD
	UNDERGROUND
	TELEPHONE
	OVERHEAD
	UNDERGROUND
	DCPOWER



COMPOUND PLAN

T-Mobile
stick together

8550 BRYN MAWR, SUITE 100
CHICAGO, ILLINOIS 60631

Insite inc.
RealEstate Consulting Services

1S660 MIDWEST RD. STE. 140
OAKBROOK TERRACE, IL 60161

FULLERTON
ENGINEERING-DESIGN

1100 E. WOODFIELD ROAD, SUITE 500
SCHAUMBURG, ILLINOIS 60173
TEL: 847-908-8400
COA# 3620-11
www.FullertonEngineering.com

#	DATE	DESCRIPTION	INT.
A	9/11/17	90% REVIEW	EB
0	10/2/17	FINAL	PK
1	10/12/17	REVISED FINAL	KC

I HEREBY CERTIFY THAT THESE DRAWINGS WERE PREPARED BY ME OR UNDER MY DIRECT SUPERVISION AND CONTROL, AND TO THE BEST OF MY KNOWLEDGE AND BELIEF COMPLY WITH THE REQUIREMENTS OF ALL APPLICABLE CODES.

SITE NAME
SOUTHSIDE HEALTH CENTER R

SITE NO.
ML10014C

SITE ADDRESS
1640 S. 24TH STREET MILWAUKEE, WI 53204

SHEET NAME
COMPOUND PLAN

SHEET NUMBER
C-1

#	DATE	DESCRIPTION	INT.
A	9/11/17	90% REVIEW	EB
0	10/2/17	FINAL	PK
1	10/12/17	REVISED FINAL	KC

I HEREBY CERTIFY THAT THESE DRAWINGS WERE PREPARED BY ME OR UNDER MY DIRECT SUPERVISION AND CONTROL, AND TO THE BEST OF MY KNOWLEDGE AND BELIEF COMPLY WITH THE REQUIREMENTS OF ALL APPLICABLE CODES.

SITE NAME

**SOUTHSIDE
HEALTH CENTER R**

SITE NO.

ML10014C

SITE ADDRESS

1640 S. 24TH STREET
MILWAUKEE, WI 53204

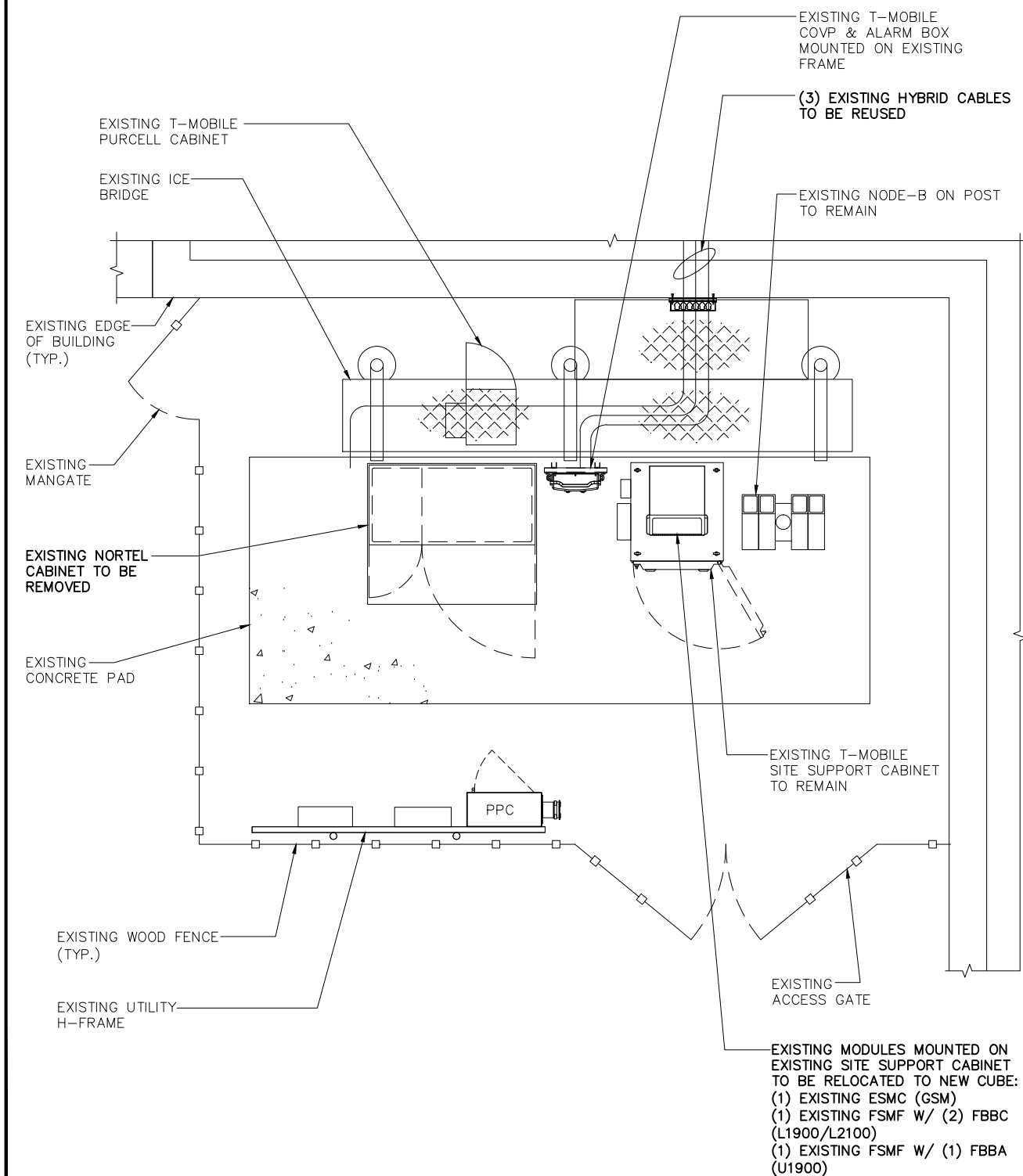
SHEET NAME

EQUIPMENT PLAN

SHEET NUMBER

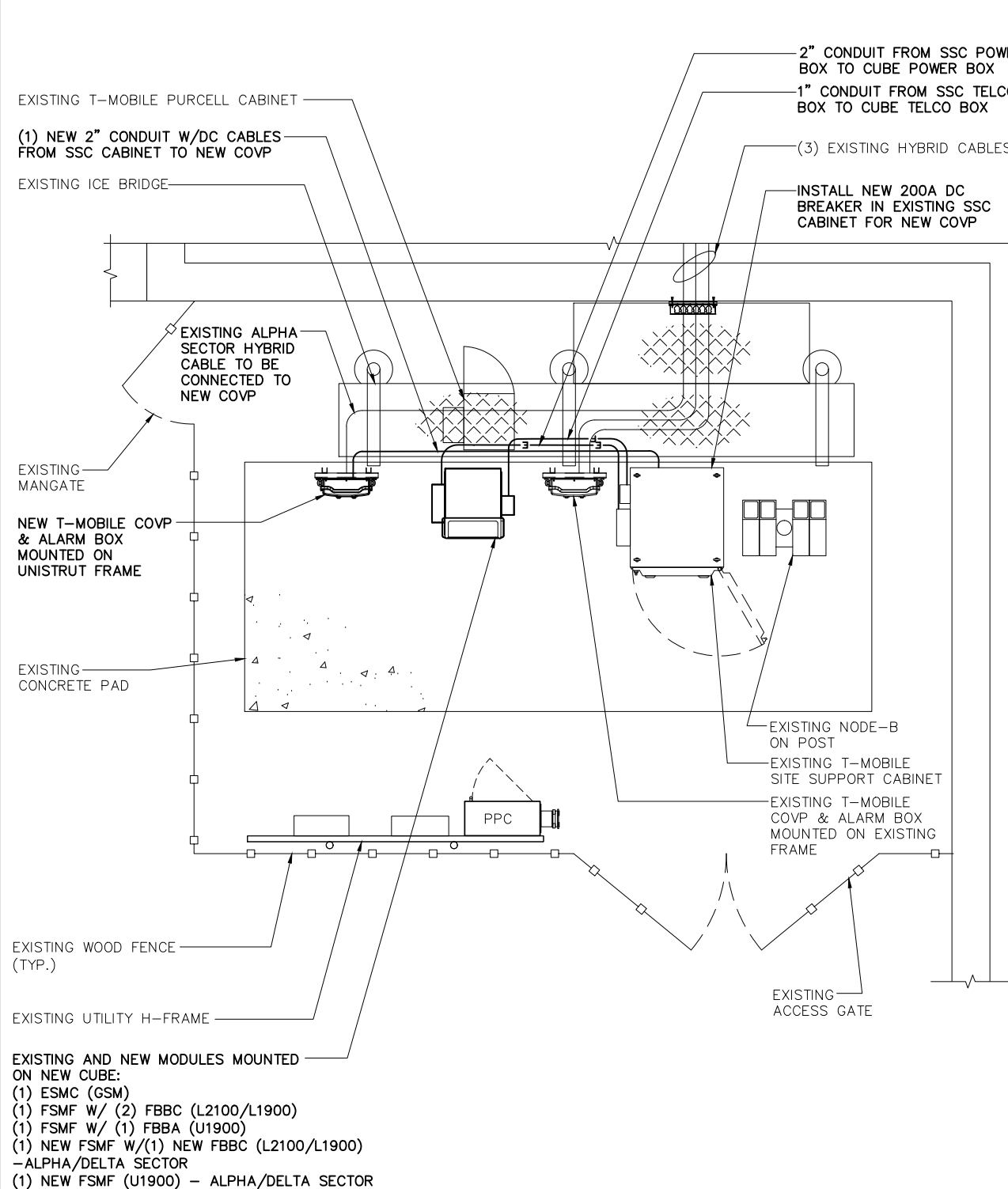
C-2

- NOTES:
1. INSTALL (1) 63A DC BREAKER FOR NEW FSMF LTE AWS+PCS
2. INSTALL (1) 10A DC BREAKER FOR NEW FSMF UMTS PCS
3. REPLACE EXISTING 7705 SAR-M WITH SAR-A



EXISTING EQUIPMENT PLAN

SCALE: 1/4" = 1'-0" 1



FINAL EQUIPMENT PLAN

SCALE: 1/4" = 1'-0" 2

#	DATE	DESCRIPTION	INT.
A	9/11/17	90% REVIEW	EB
O	10/2/17	FINAL	PK
1	10/12/17	REVISED FINAL	KC

I HEREBY CERTIFY THAT THESE DRAWINGS WERE PREPARED BY ME OR UNDER MY DIRECT SUPERVISION AND CONTROL, AND TO THE BEST OF MY KNOWLEDGE AND BELIEF COMPLY WITH THE REQUIREMENTS OF ALL APPLICABLE CODES.

SITE NAME
**SOUTHSIDE
HEALTH CENTER R**

SITE NO.
ML10014C

SITE ADDRESS
**1640 S. 24TH STREET
MILWAUKEE, WI 53204**

SHEET NAME
ELEVATION

SHEET NUMBER
C-3

(2) NEW T-MOBILE RF MODULES
MOUNTED ON EXISTING SLED MOUNT
(ALPHA/DELTA SECTOR)

(2) NEW T-MOBILE ANTENNAS &
(2) NEW RF MODULES
(ALPHA/DELTA SECTOR)

☉ OF NEW AND EXISTING
T-MOBILE ANTENNAS
ELEV. = 51'-0"± A.G.L.

T/EXISTING ROOF
ELEV. = 44'-9" AGL

EXISTING BUILDING

T/GRADE
ELEV. = 0'-0" AGL

(9) EXISTING T-MOBILE RF MODULES
(TYP. OF 3 PER SECTOR)

(7) EXISTING T-MOBILE
ANTENNAS TO REMAIN

EXISTING OTHER CARRIER ANTENNAS (TYP.)

EXISTING PENTHOUSE

EXISTING WOOD FENCE
(TYP.)

EXISTING & NEW T-MOBILE EQUIPMENT
ON EXISTING CONCRETE PAD

#	DATE	DESCRIPTION	INT.
A	9/11/17	90% REVIEW	EB
0	10/2/17	FINAL	PK
1	10/12/17	REVISED FINAL	KC

HEREBY CERTIFY THAT THESE DRAWINGS WERE PREPARED BY ME OR UNDER MY DIRECT SUPERVISION AND CONTROL, AND TO THE BEST OF MY KNOWLEDGE AND BELIEF COMPLY WITH THE REQUIREMENTS OF ALL APPLICABLE CODES.

SITE NAME

SOUTHSIDE HEALTH CENTER R

SITE NO.

ML10014C

SITE ADDRESS

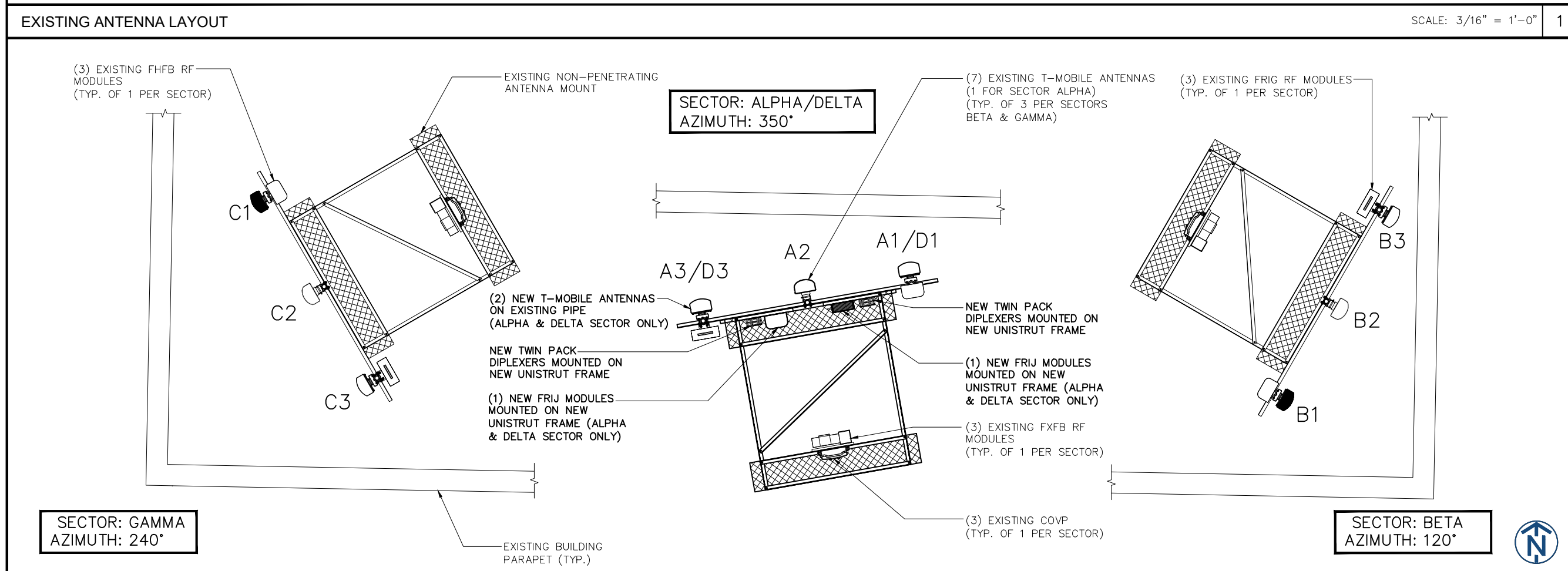
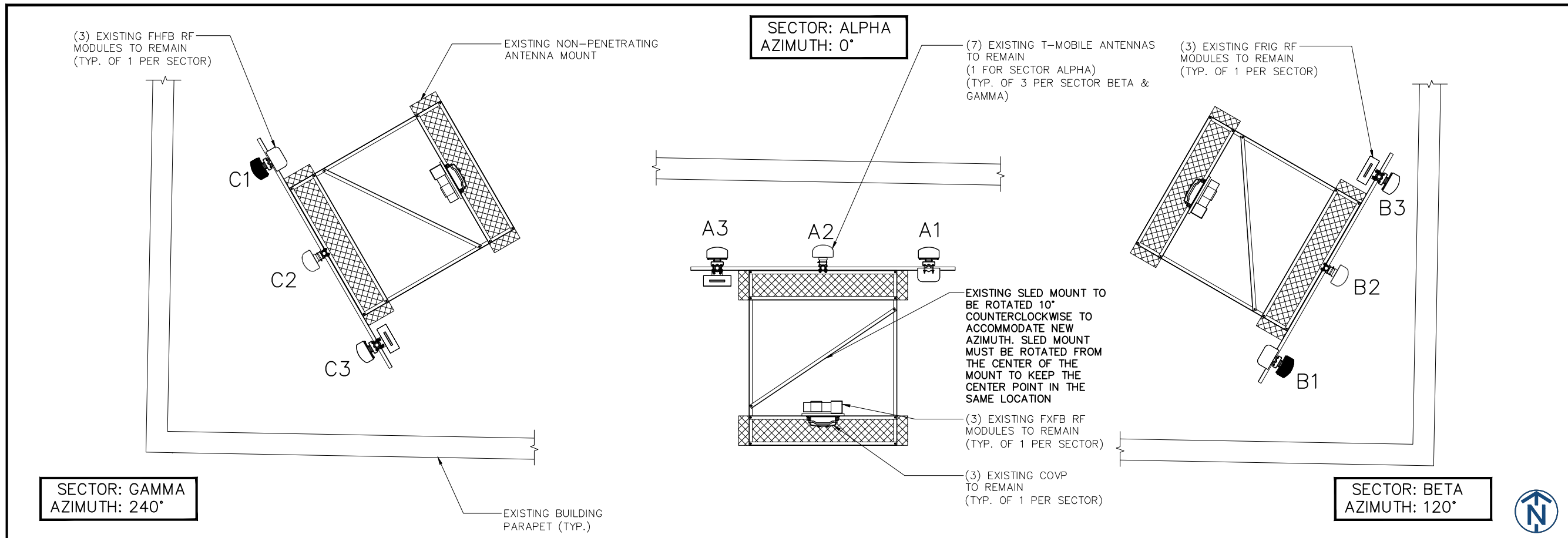
1640 S. 24TH STREET
MILWAUKEE, WI 53204

SHEET NAME

ANTENNA LAYOUT

SHEET NUMBER

C-4



LOC.	AZI. (DEG)	ANT. Q. (FT)	TECH.	ANTENNA MODEL #	MECH-TILT (DEG)	ELEC-TILT (DEG)	RRU TYPE	DIPLEXER QTY. AND MODEL #	HCS CABLE DIA. (IN) AND TYPE	FACTORY LENGTH (FT)	ACTUAL LENGTH (FT)	COAX CABLE DIA. AND QTY	JUMPER CABLE DIA. AND QTY
ALPHA/DELTA	A1/D1	350	94	LTE AWS LTE/UMTS PCS (N) HBXX-3817TB1-A2M	(E)	3	(N) FRIJ (E) FHFB	(N) CBC1923T-43-2X	(E) 1.584" (HIGH CAP)	75	75	N/A	
ALPHA	A2	350	94	GSM PCS (E) TMBXX-6517-A2M	(E)	3	(E) FXFB	-	N/A	N/A	(E)	N/A	
ALPHA/DELTA	A3/D3	350	94	LTE AWS LTE/UMTS PCS (N) HBXX-3817TB1-A2M	(E)	2	(N) FHF (E) FRIG	(N) CBC1923T-43-2X	SHARED	-	-	N/A	
BETA	B1	120	94	LTE/UMTS PCS (E) TMBXX-6517-A2M	(E)	5/5	(E) FHFB	-	(E) 1.24" (LOW CAP)	75	75	N/A	
BETA	B2	120	94	GSM PCS (E) TMBXX-6517-A2M	(E)	5	(E) FXFB	-	N/A	N/A	(E)	N/A	
BETA	B3	120	94	LTE AWS (E) TMBXX-6517-A2M	(E)	4/4	(E) FRIG	-	SHARED	-	-	N/A	
GAMMA	C1	220	94	LTE/UMTS PCS (E) TMBXX-6517-A2M	(E)	4/4	(E) FHFB	-	(E) 1.24" (LOW CAP)	75	75	N/A	
GAMMA	C2	220	94	GSM PCS (E) TMBXX-6517-A2M	(E)	4	(E) FXFB	-	N/A	N/A	(E)	N/A	
GAMMA	C3	220	94	LTE AWS (E) TMBXX-6517-A2M	(E)	2/2	(E) FRIG	-	SHARED	-	-	N/A	

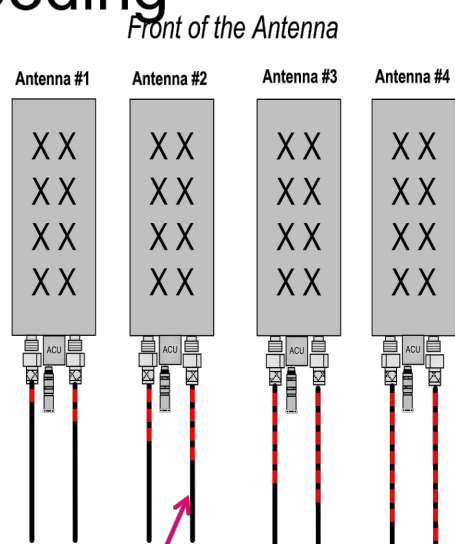
ANTENNA AND CABLE SCHEDULE

SCALE: N.T.S. 1

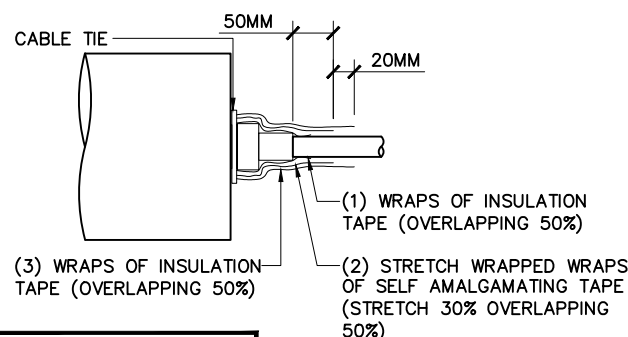
Coax Color Coding

- Antennas will be labeled (back of antenna view) Right to left 1 - X ports
- Coax/Jumper lines will be identified by sector color and by number of bands around the coax/jumper

Sector A	Red
Sector B	Green
Sector C	Blue
Sector D	Yellow
Sector E	White
Sector F	Purple
LMU	Brown + Sector Color Bands (1,2)
Fiber ID	Gray
Unused Coax	Pink
Microwave	Orange
PWE T-1's + GPS Downlink cable	ID w/Label Maker

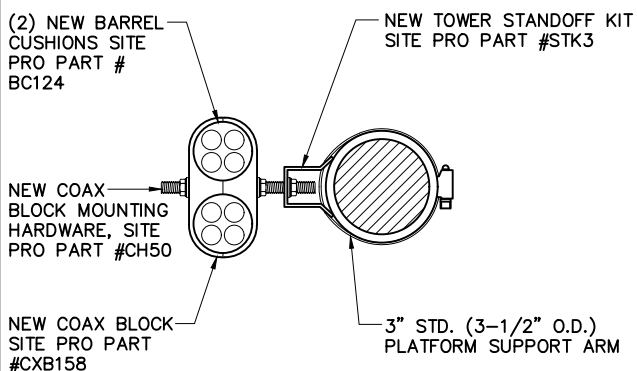


Example - Coax with **four bands of RED** tape will represent **Alpha sector** and the **4th port of antenna**.

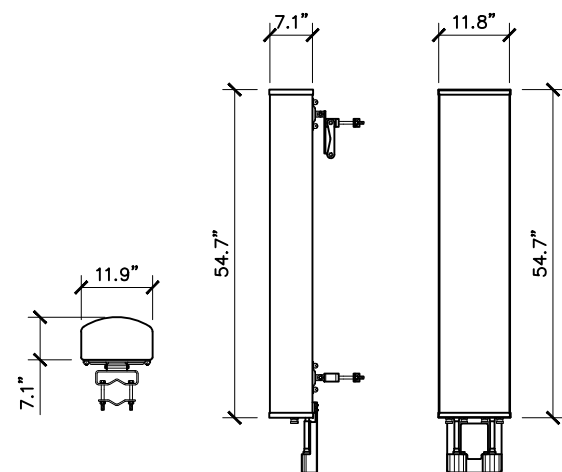


JUMPERS TO BE TORQUED TO 221.27 IN/LBS

RF JUMPER CONNECTION DETAIL SCALE: N.T.S. 3



RF JUMPER MOUNTING DETAIL SCALE: N.T.S. 4



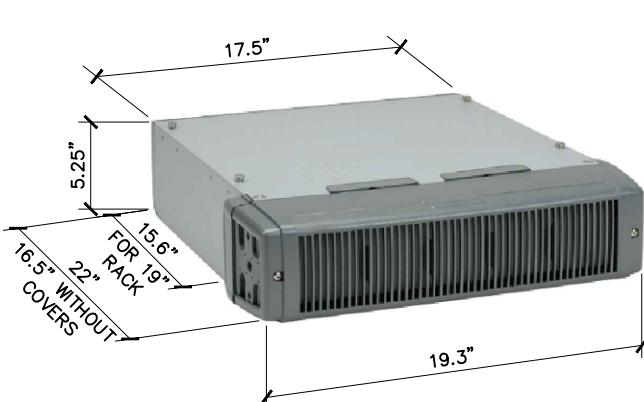
PLAN VIEW SIDE VIEW FRONT VIEW

COMMSCOPE - HBXX-3817TB1-A2M
ANDREW® TWIN BEAM CAPACITY ANTENNA

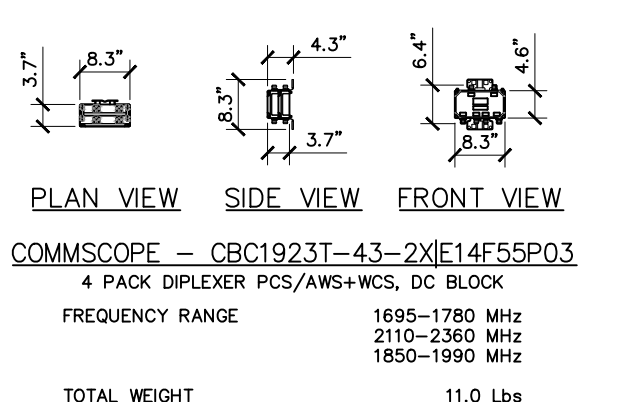
FREQUENCY RANGE	1710-1880 MHz 1850-1990 MHz 1920-2180 MHz
ANTENNA BRACKET	36.4 Lbs
TOTAL WEIGHT	8.0 Lbs 44.4 Lbs

ANTENNA SPEC SCALE: N.T.S. 5

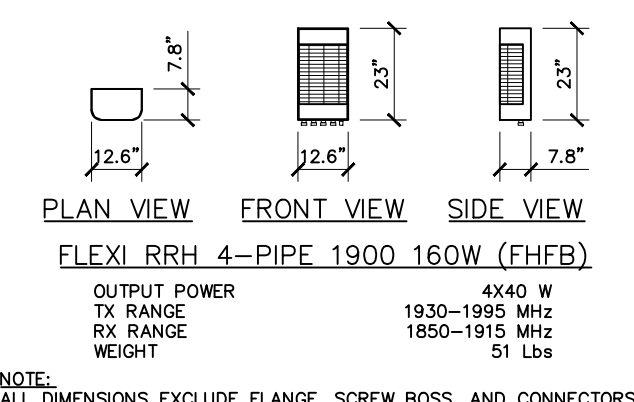
COLOR CODING SCALE: N.T.S. 2



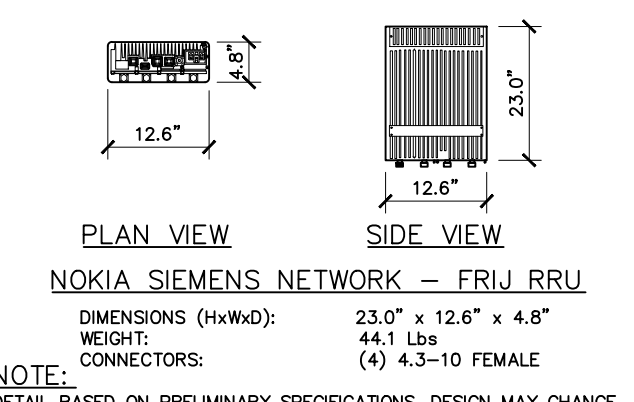
FSMF MODULE SPEC SCALE: N.T.S. 7



DIPLEXER SPEC SCALE: N.T.S. 8



FHFB SPEC SCALE: N.T.S. 9



FRIJ SPEC SCALE: N.T.S. 10

T-Mobile
stick together
8550 BRYN MAWR, SUITE 100
CHICAGO, ILLINOIS 60631

Insite inc.
RealEstate Consulting Services
18660 MIDWEST RD. STE. 140
OAKBROOK TERRACE, IL 60161

FULLERTON
ENGINEERING-DESIGN
1100 E. WOODFIELD ROAD, SUITE 500
SCHAUMBURG, ILLINOIS 60173
TEL: 847-908-8400
COA# 3620-11
www.FullertonEngineering.com

#	DATE	DESCRIPTION	INT.
A	9/11/17	90% REVIEW	EB
O	10/2/17	FINAL	PK
1	10/12/17	REVISED FINAL	KC

I HEREBY CERTIFY THAT THESE DRAWINGS WERE PREPARED BY ME OR UNDER MY DIRECT SUPERVISION AND CONTROL, AND TO THE BEST OF MY KNOWLEDGE AND BELIEF COMPLY WITH THE REQUIREMENTS OF ALL APPLICABLE CODES.

SITE NAME
SOUTHSIDE HEALTH CENTER R

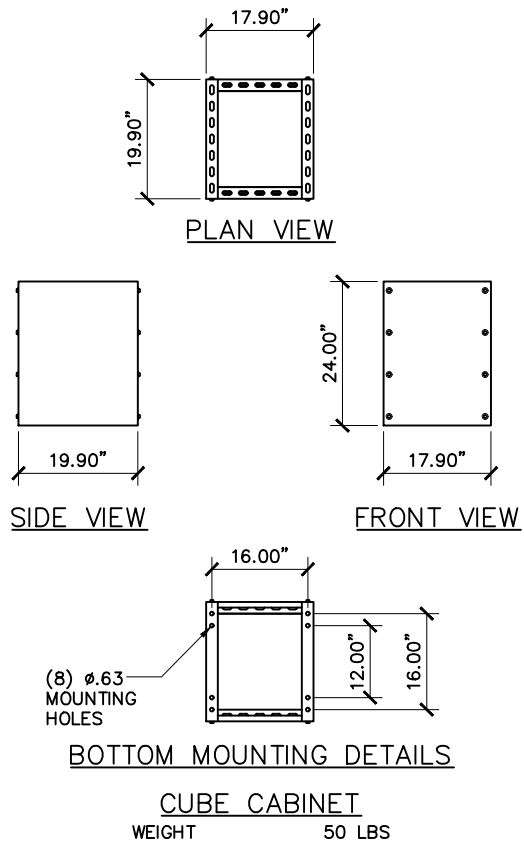
SITE NO.
ML10014C

SITE ADDRESS
1640 S. 24TH STREET
MILWAUKEE, WI 53204

SHEET NAME
EQUIPMENT DETAILS AND SPECIFICATIONS

SHEET NUMBER

C-5



T-Mobile
stick together
8550 BRYN MAWR, SUITE 100
CHICAGO, ILLINOIS 60631

Insite inc.
RealEstate Consulting Services
1S660 MIDWEST RD. STE. 140
OAKBROOK TERRACE, IL 60161

FULLERTON
ENGINEERING-DESIGN
1100 E. WOODFIELD ROAD, SUITE 500
SCHAUMBURG, ILLINOIS 60173
TEL: 847-908-8400
COA# 3620-11
www.FullertonEngineering.com

#	DATE	DESCRIPTION	INT.
A	9/11/17	90% REVIEW	EB
O	10/2/17	FINAL	PK
1	10/12/17	REVISED FINAL	KC

HEREBY CERTIFY THAT THESE DRAWINGS WERE PREPARED BY ME OR UNDER MY DIRECT SUPERVISION AND CONTROL, AND TO THE BEST OF MY KNOWLEDGE AND BELIEF COMPLY WITH THE REQUIREMENTS OF ALL APPLICABLE CODES.

CUBE SPECIFICATION

SCALE: N.T.S. 1

NOT USED

SCALE: N.T.S. 2

SITE NAME
SOUTHSIDE HEALTH CENTER R

SITE NO.
ML10014C

SITE ADDRESS
1640 S. 24TH STREET
MILWAUKEE, WI 53204

SHEET NAME
EQUIPMENT DETAILS AND SPECIFICATIONS

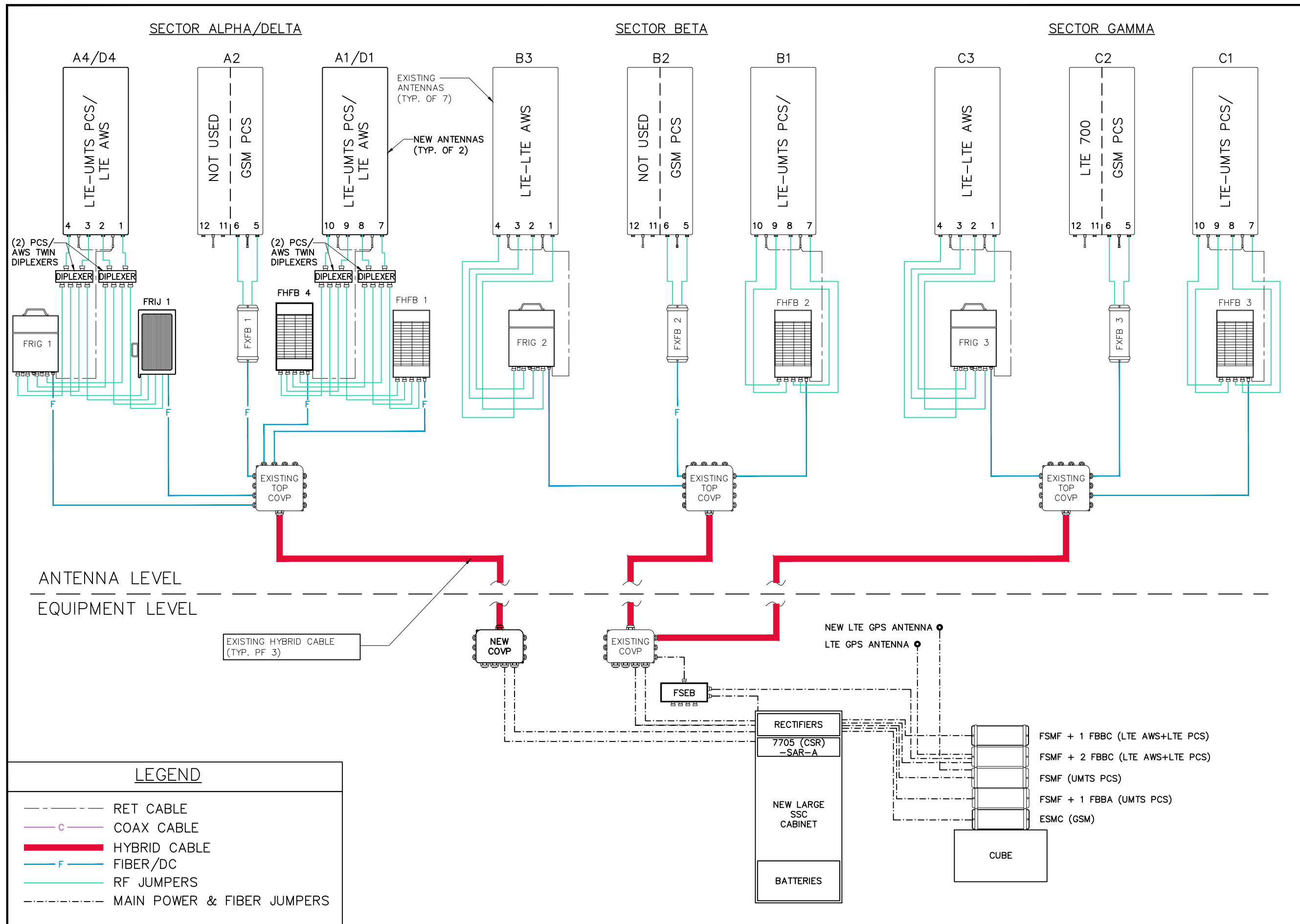
SHEET NUMBER
C-5A

NOT USED

3

NOT USED

4



SECTOR ALPHA/DELTA

SECTOR BETA

SECTOR GAMMA

ANTENNA LEVEL
EQUIPMENT LEVEL

LEGEND

- RET CABLE
- COAX CABLE
- HYBRID CABLE
- FIBER/DC
- RF JUMPERS
- MAIN POWER & FIBER JUMPERS

T-Mobile
stick together
8550 BRYN MAWR, SUITE 100
CHICAGO, ILLINOIS 60631

Insite inc.
RealEstate Consulting Services
1S660 MIDWEST RD. STE. 140
OAKBROOK TERRACE, IL 60161

FULLERTON
ENGINEERING-DESIGN
1100 E. WOODFIELD ROAD, SUITE 500
SCHAUMBURG, ILLINOIS 60173
TEL: 847-908-8400
COA# 3620-11
www.FullertonEngineering.com

#	DATE	DESCRIPTION	INT.
A	9/11/17	90% REVIEW	EB
O	10/2/17	FINAL	PK
1	10/12/17	REVISED FINAL	KC

I HEREBY CERTIFY THAT THESE DRAWINGS WERE PREPARED BY ME OR UNDER MY DIRECT SUPERVISION AND CONTROL, AND TO THE BEST OF MY KNOWLEDGE AND BELIEF COMPLY WITH THE REQUIREMENTS OF ALL APPLICABLE CODES.

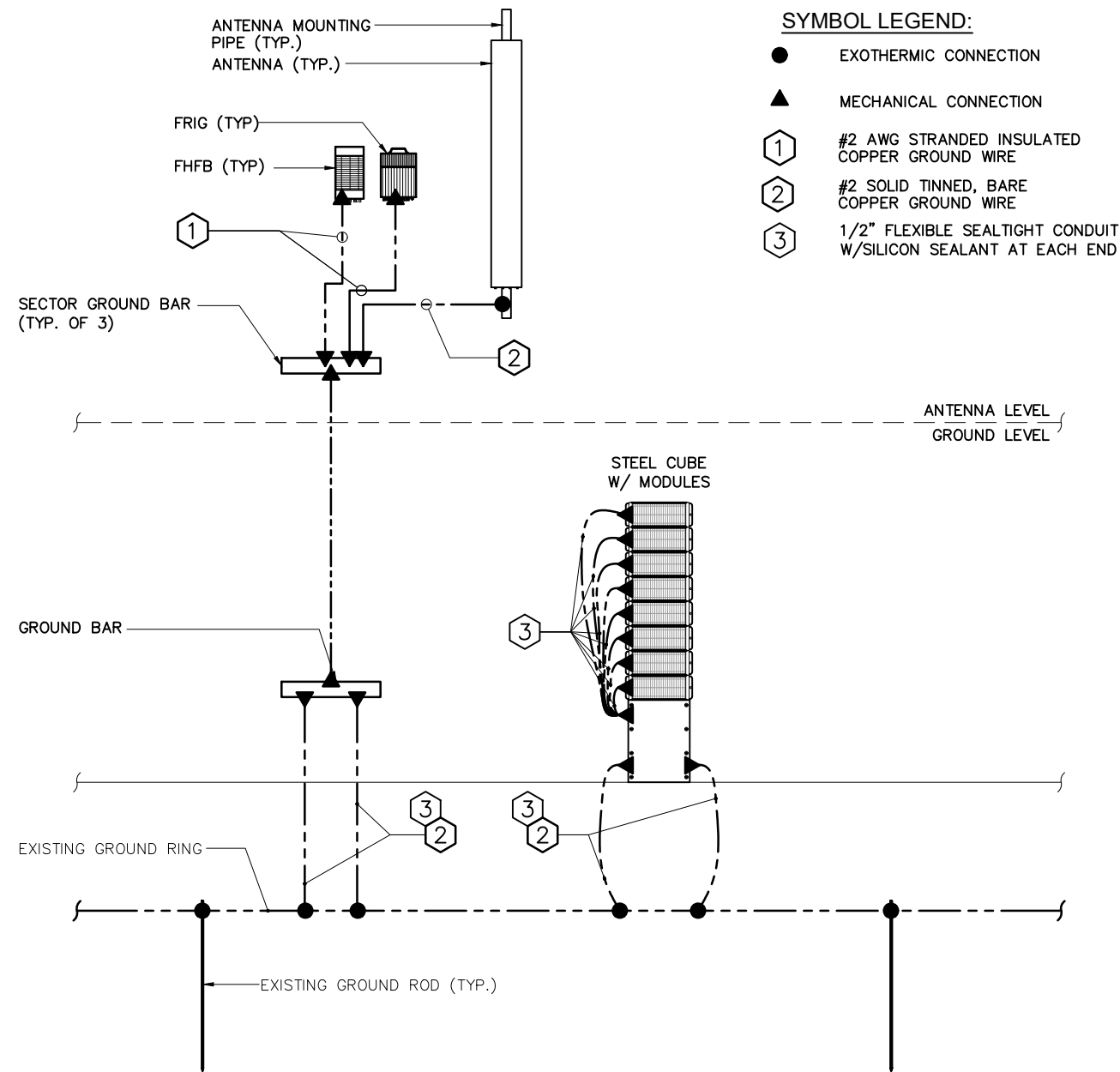
SITE NAME
SOUTHSIDE HEALTH CENTER R

SITE NO.
ML10014C

SITE ADDRESS
1640 S. 24TH STREET
MILWAUKEE, WI 53204

SHEET NAME
62J_2TB_U2100 CONFIGURATION DIAGRAM

SHEET NUMBER
C-6



- SYMBOL LEGEND:**
- EXOTHERMIC CONNECTION
 - ▲ MECHANICAL CONNECTION
 - ① #2 AWG STRANDED INSULATED COPPER GROUND WIRE
 - ② #2 SOLID TINNED, BARE COPPER GROUND WIRE
 - ③ 1/2" FLEXIBLE SEALTIGHT CONDUIT W/SILICON SEALANT AT EACH END

T-Mobile
stick together
8550 BRYN MAWR, SUITE 100
CHICAGO, ILLINOIS 60631

Insite inc.
RealEstate Consulting Services
1S660 MIDWEST RD. STE. 140
OAKBROOK TERRACE, IL 60161

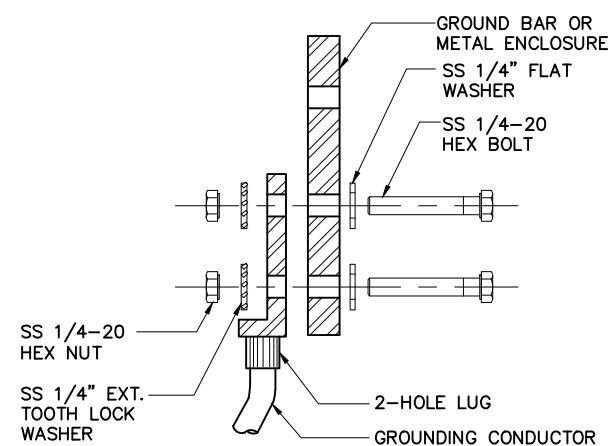
FULLERTON
ENGINEERING-DESIGN
1100 E. WOODFIELD ROAD, SUITE 500
SCHAUMBURG, ILLINOIS 60173
TEL: 847-908-8400
COA# 3620-11
www.FullertonEngineering.com

#	DATE	DESCRIPTION	INT.
A	9/11/17	90% REVIEW	EB
O	10/2/17	FINAL	PK
1	10/12/17	REVISED FINAL	KC

I HEREBY CERTIFY THAT THESE DRAWINGS WERE PREPARED BY ME OR UNDER MY DIRECT SUPERVISION AND CONTROL, AND TO THE BEST OF MY KNOWLEDGE AND BELIEF COMPLY WITH THE REQUIREMENTS OF ALL APPLICABLE CODES.

TYPICAL GROUNDING DIAGRAM

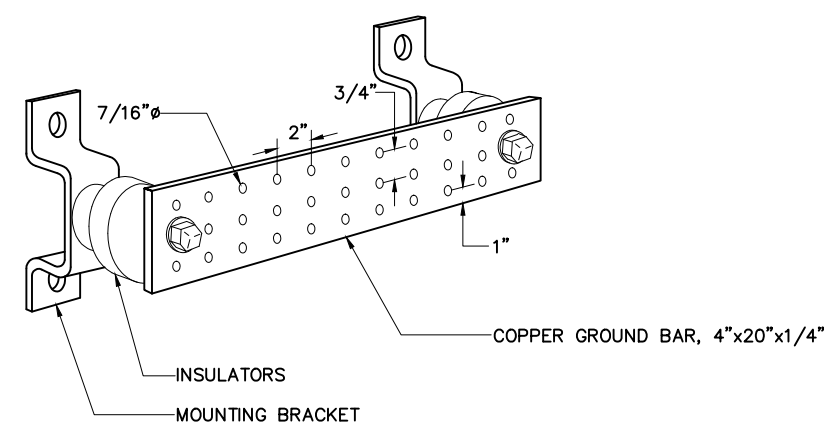
SCALE: N.T.S. 1



- NOTES:**
1. COAT ALL SURFACES WITH ANTI-OXIDANT COMPOUND BEFORE MATING
 2. ALL GROUNDING HARDWARE SHALL STAINLESS STEEL (SS) UNLESS OTHERWISE NOTED

STANDARD LUG CONNECTION OF GROUND LEADS TO GROUND BAR DETAIL

SCALE: N.T.S. 2



GROUNDING - STANDARD GROUND BAR DETAIL

SCALE: N.T.S. 3

SITE NAME
SOUTHSIDE HEALTH CENTER R

SITE NO.
ML10014C

SITE ADDRESS
1640 S. 24TH STREET
MILWAUKEE, WI 53204

SHEET NAME
GROUNDING DETAILS

SHEET NUMBER
EG-1