

This document is owned by and the information contained in it is proprietary to Poblocki Sign Company, LLC. By receipt hereof, the holder agrees not to use the information, disclose it to any third party or reproduce this document without the prior written consent of Poblocki Sign Company, LLC. Holder also agrees to immediately return this document upon request by Poblocki Sign Company, LLC.

This document represents only an approximation of material colors specified. Actual product colors may vary from this print or digital image.

**Project**

**SEEDS OF HEALTH  
TENOR JOURNAL SQUARE**

918 VEL R PHILLIPS AVE  
MILWAUKEE WI 53203

Scale: **AS NOTED**

Original Page Size: **11" x 17"**

**Notes**

**Revisions**

REV	DESCRIPTION	BY	DATE
01	CLARRIFICATION	KFJ	7.15.21
02	REVISED	KFJ	7.16.21

Rep: **BLAIRE BENES** Orig. Date: **6.30.21**

Drawn By: **K.JOHNSON**

**Sign Loc. No.**

**LL-01**

LIT LETTERS

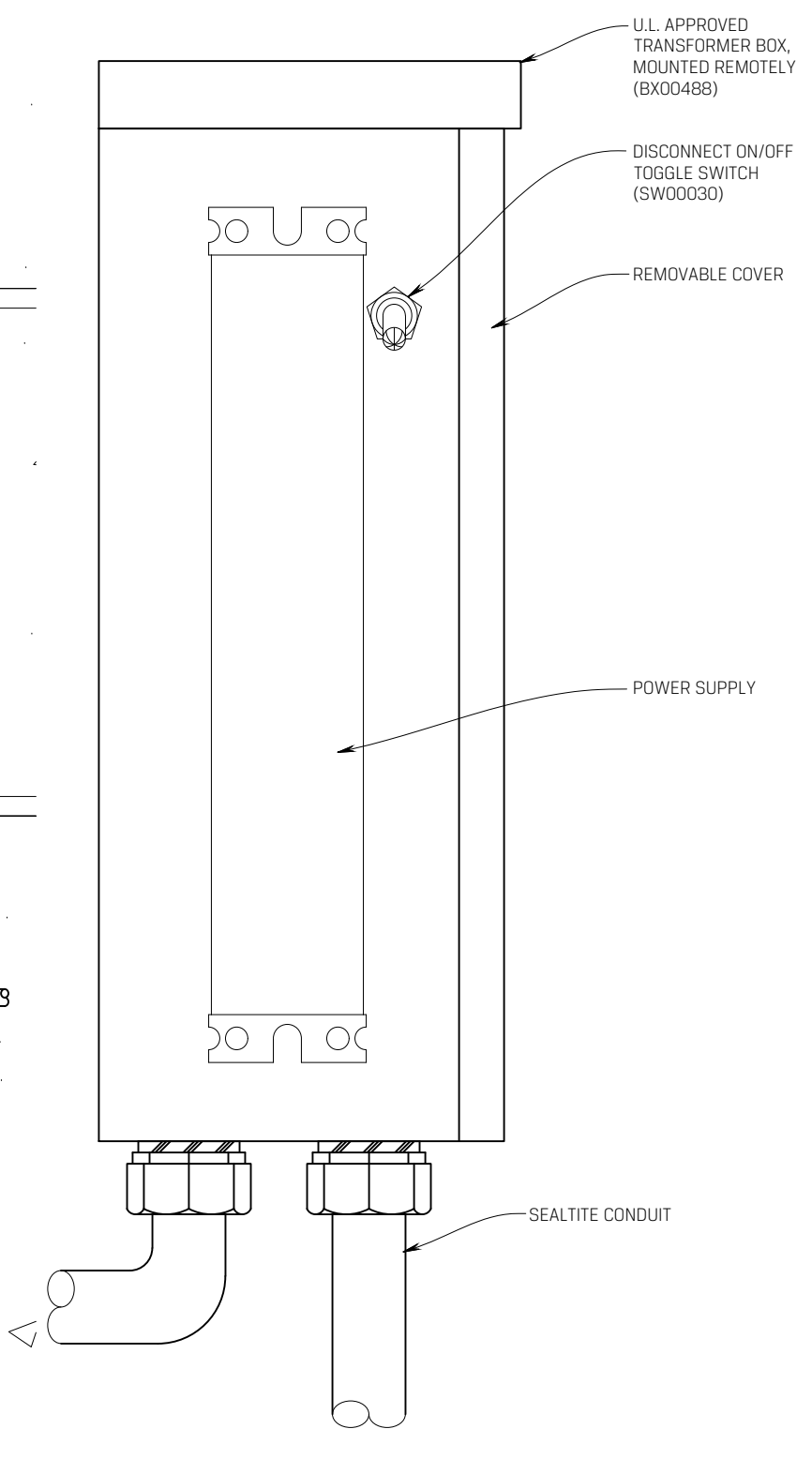
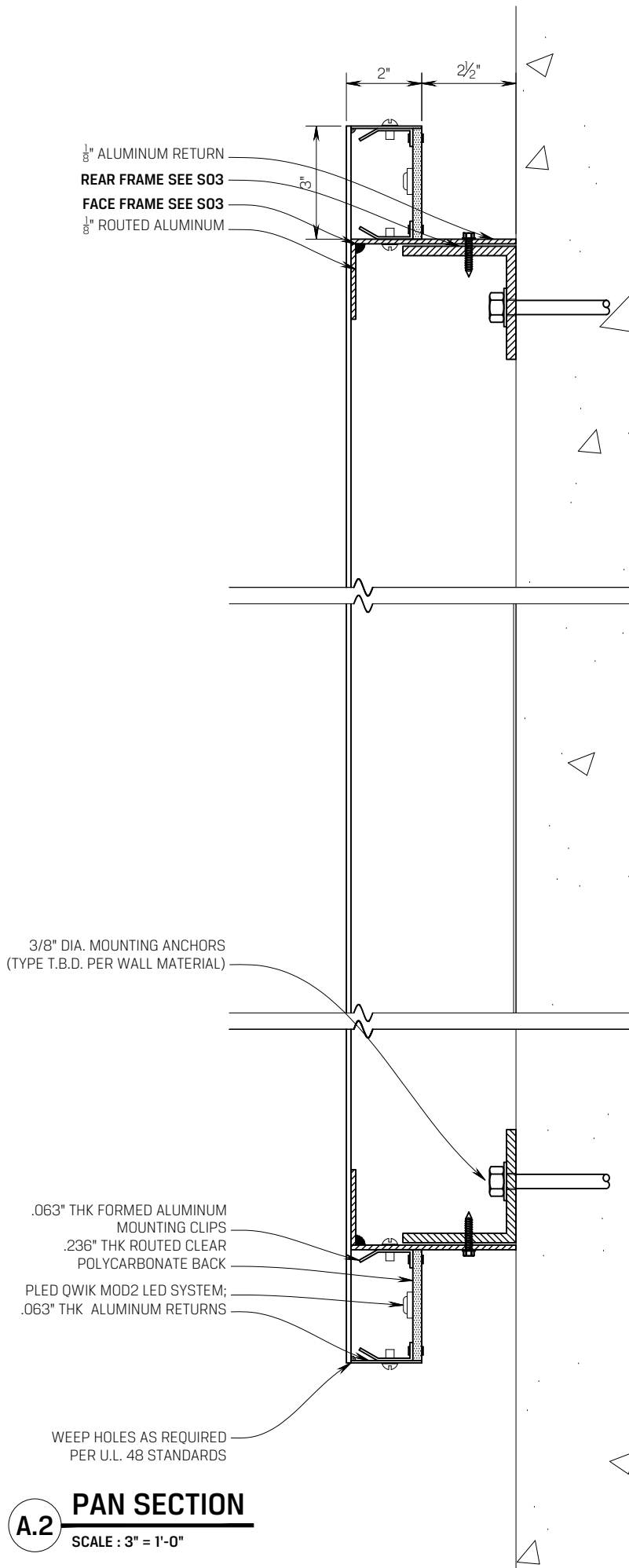
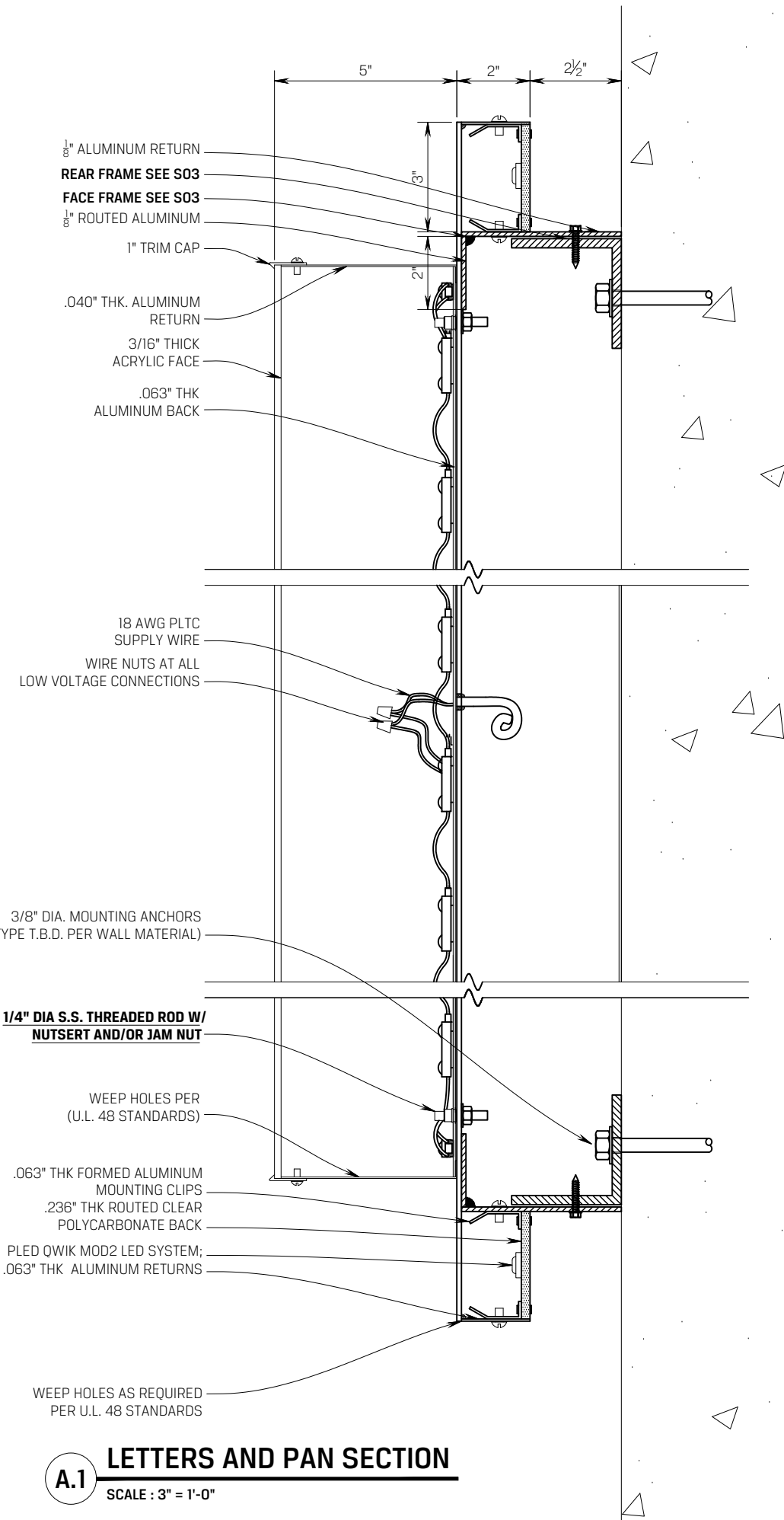
Sign Type

**91276**

OPP-Project-Job No.

**S02**

Sheet



FILE: \\NWFS2\Engineering\Drawings\Seeds Of Health\91276\_LL-01.dwg SHEET: S02 PLOTTED: Jul 16, 2021 2:33 PM BY: Johnson, Kaleb