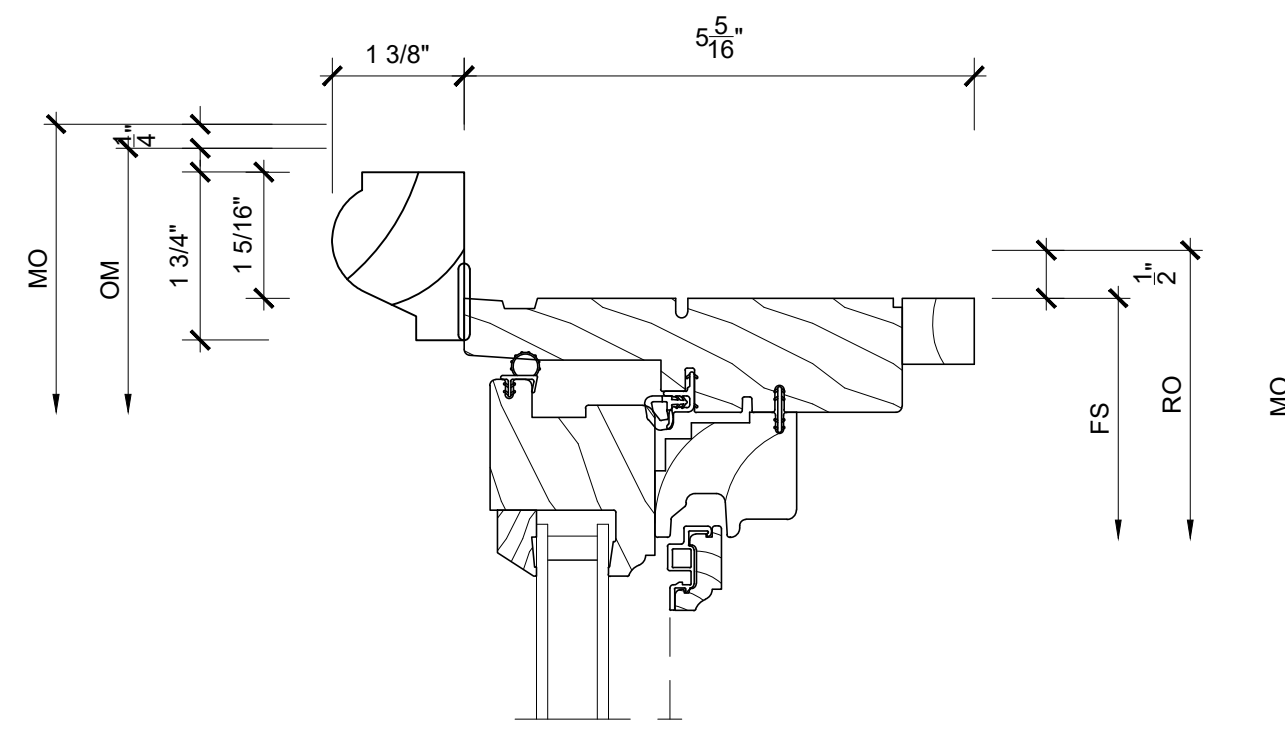


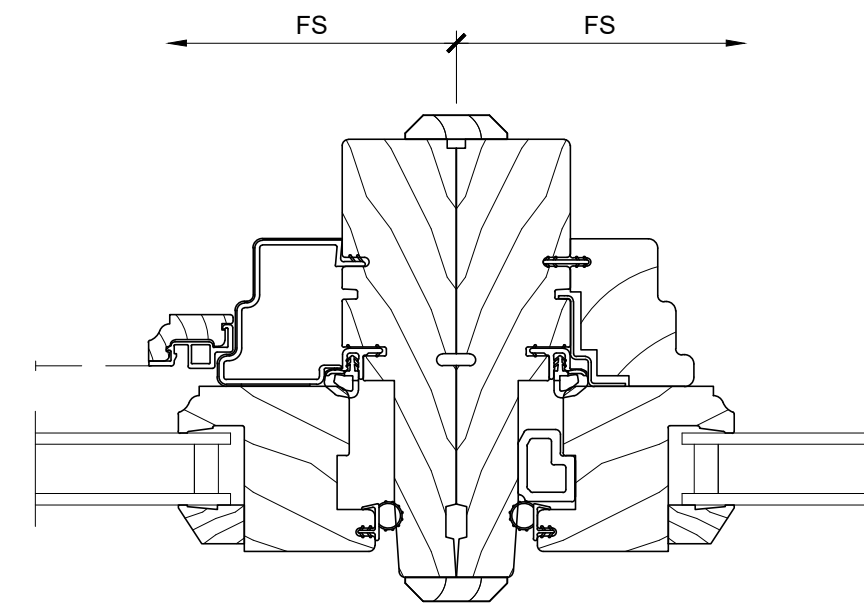
01
 SCALE: 3/4" = 1'-0"

- $\frac{1}{2}$ Head
- $\frac{2}{2}$ Head
- $\frac{3}{2}$ Jamb
- $\frac{4}{2}$ Vertical Mullion
- $\frac{5}{2}$ Sill
- $\frac{6}{2}$ Sill
- $\frac{7}{2}$ Divided Lite



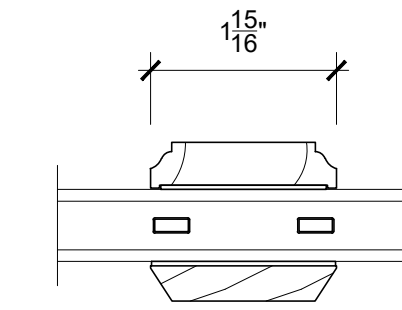
1
2 Head

SCALE: 6" = 1'-0"



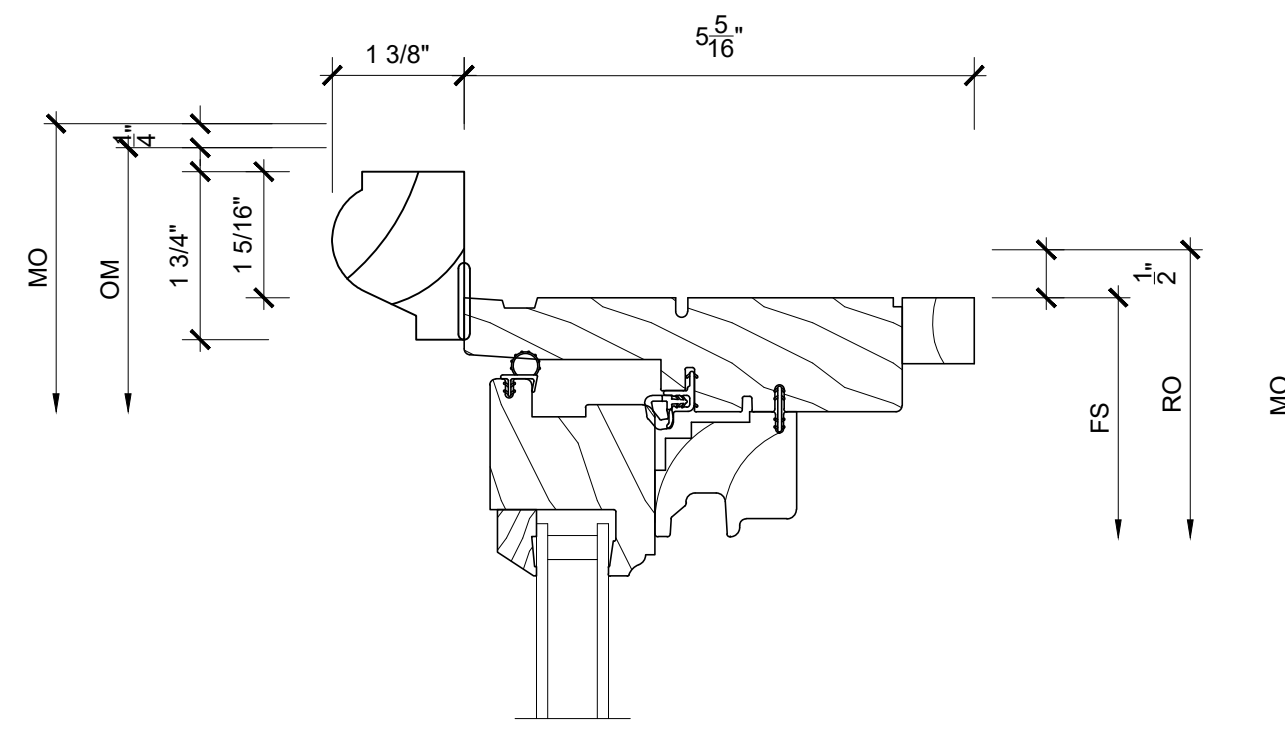
4
2 Vertical Mullion

SCALE: 6" = 1'-0"



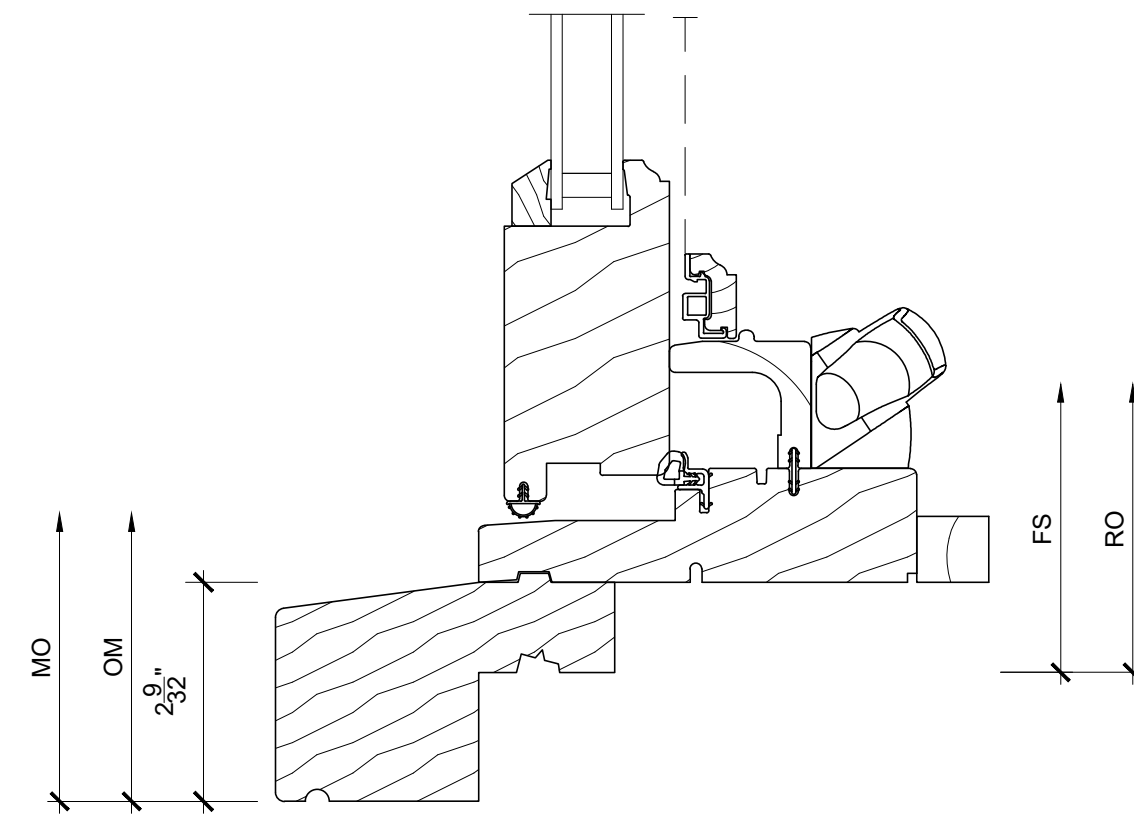
7
2 Divided Lite

SCALE: 6" = 1'-0"



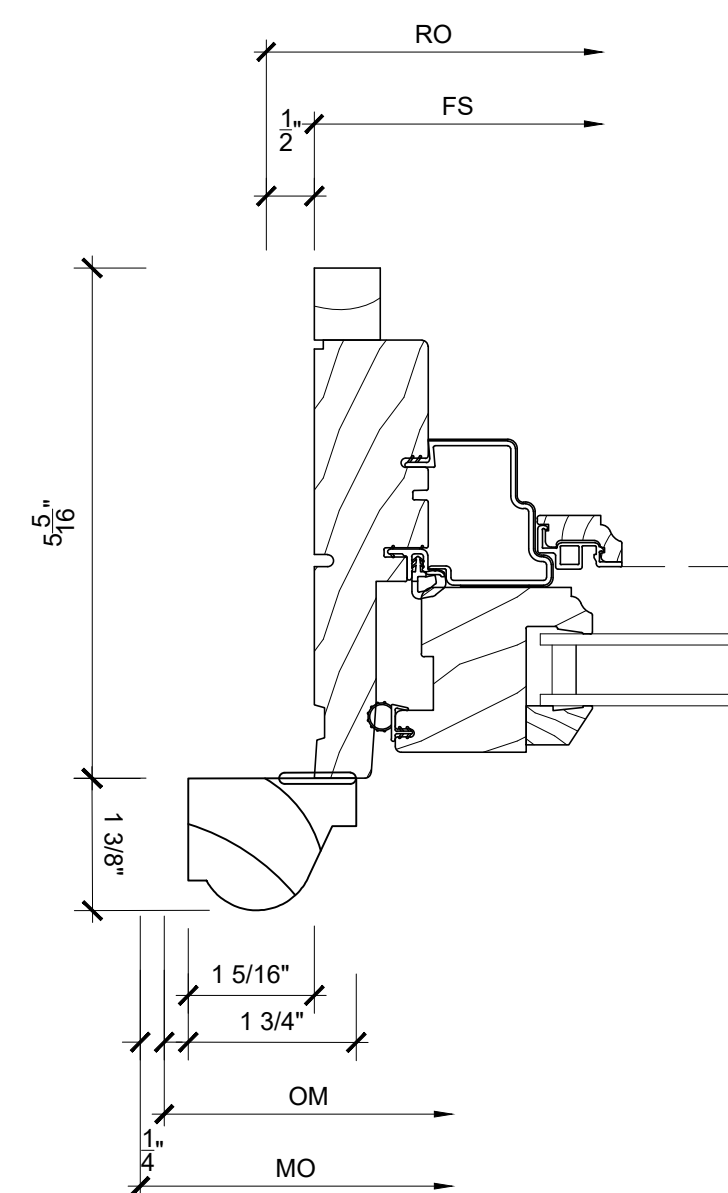
2
2 Head

SCALE: 6" = 1'-0"



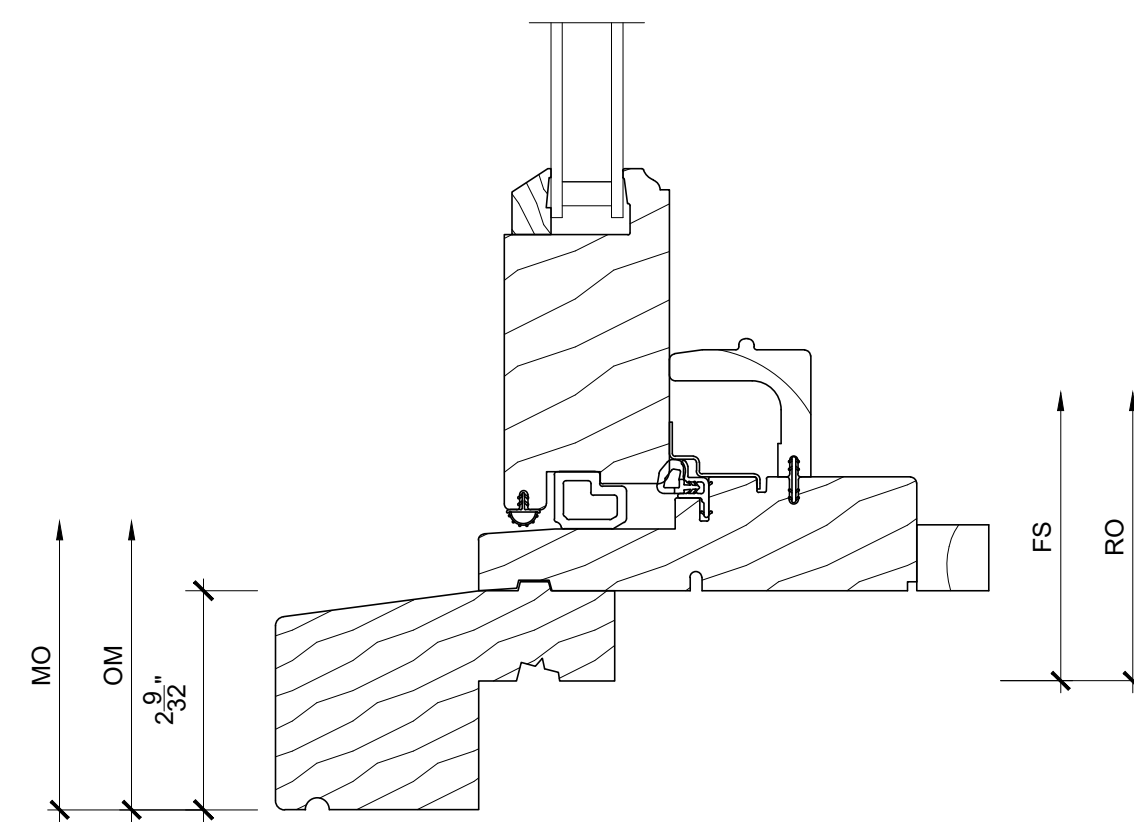
5
2 Sill

SCALE: 6" = 1'-0"



3
2 Jamb

SCALE: 6" = 1'-0"



6
2 Sill

SCALE: 6" = 1'-0"

ORDERING PRODUCTS WITH REFERENCE TO SHOP DRAWINGS:
Before ordering the Marvin Window and Door products illustrated within these shop drawings, a copy of these drawings accompanied by an approved signature of the purchaser must be returned to the Architectural Department, Marvin Windows & Doors, 10000 Marvin Drive, Grand Rapids, MI 49503. If the Marvin products & components included herein are not to be used in the project, the purchaser must return the approved shop drawings. Marvin Windows and Doors assumes no responsibility in guaranteeing product coordination with the drawings.

PROJ/JOB: Story Hill Renovations / Farrar - Foley
DIST/DEALER: ADVANCED WINDOW & DOOR SOLUTIONS
DRAWN: JILL HELGESON
QUOTE#: YP11T6T
CREATED: 10/26/2021
REVISION: