

**LINE 4**

SCALE: 1/2" = 1'-0"

- 1/7 Head
- 2/7 Jamb
- 3/7 Sill
- Divided Lite
- 1/8 Checkrail

**SPECIFICATIONS**

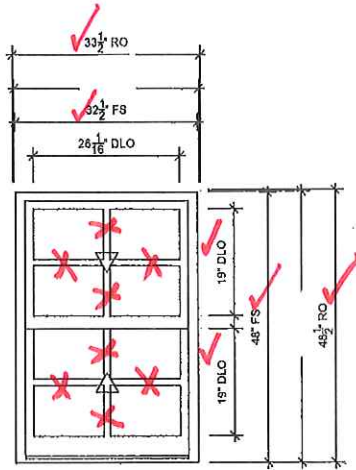
- Line #: 1
- Qty: 1
- Mark Unit: Line 4
- ✓ Brand: Marvin
- ✓ Series: Wood
- ✓ Exterior Finish: Bare - primed
- Species: VGR Douglas Fir
- ✓ Interior Finish: Bare
- ✓ Product: Ultimate Double Hung - EZ
- ✓ Glass Information: IG, Low E3 w/Argon, Stainless
- Divider Type: ~~1 1/8" Rectangular SDL W/ Spacer - Stainless~~ None
- Hardware Type: Sash Lock, ~~Lift Type: None, No Finger Pull~~ Sash lift
- ✓ Hardware Color: Antique Brass
- ✓ Screen Type: No Screen
- ✓ Screen Surround Color: None
- ✓ Screen Mesh Type: None
- ✓ Jamb Depth: 4 9/16"
- ✓ Interior Trim: None
- ✓ Exterior Casing: Casing Type : None
- ✓ Subsill: Subsill Type : None
- ✓ Comments: MarvinUDH (A1) - ^PRIMED VGR DOUGLAS FIR EXTERIOR / BARE INTERIOR

**APPROVED**  
By Tim Askin-HPC at 2:17 pm, Dec 28, 2018



PROJ/JOB: Lafayette / Venture  
 DIST/DEALER: ZUERN BUILDING PRODUCTS INC-ALLENTON  
 DRAWN: STEVE FARRELL  
 QUOTE#: SZEPAX6 PK VER: 0002.24.00 CREATED: 12/20/2018 REVISION:

SHEET  
1  
OF 9



**LINE 6,7,8**

SCALE: 3/8" = 1'-0"

1/7 Head

2/7 Jamb

3/7 Sill

~~7/7 Divided Lite~~

1/8 Checkrail

**SPECIFICATIONS**

Line #: 2

Qty: 3

Mark Unit: Line 6,7,8

Brand: Marvin

Series: Wood

✓ Exterior Finish: Bare - *primed*

○ Species: VGR Douglas Fir

✓ Interior Finish: Bare

✓ Product: Ultimate Double Hung - *EZ*

✓ Glass Information: IG, Low E w/Argon, Stainless

✓ Divider Type: ~~1-1/8" Rectangular SDL W/ Spacer - Stainless~~ *None*

✓ Hardware Type: Sash Lock, ~~Lift Type: None, No Finger Pull~~ *sash Lift*

✓ Hardware Color: Antique Brass

✓ Screen Type: No Screen

✓ Screen Surround Color: None

✓ Screen Mesh Type: None

✓ Jamb Depth: 4 9/16"

✓ Interior Trim: None

✓ Exterior Casing: Casing Type : None

✓ Subsill: Subsill Type : None

Comments:

MarvinUDH (A1) - ^PRIMED VGR DOUGLAS FIR EXTERIOR / BARE INTERIOR

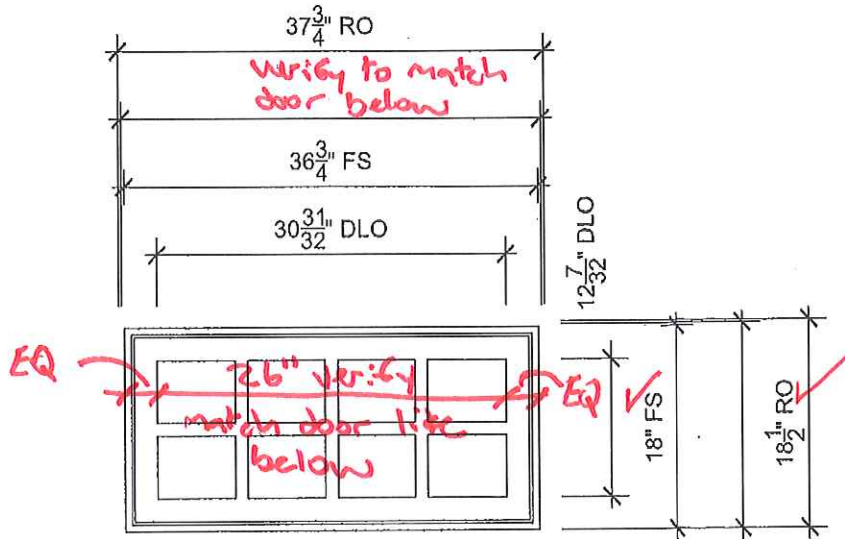
**APPROVED**  
By Tim Askin-HPC at 2:17 pm, Dec 28, 2018



PROJ/JOB: Lafayette / Venture  
DIST/DEALER: ZUERN BUILDING PRODUCTS INC-ALLENTON  
DRAWN: STEVE FARRELL  
QUOTE#: SZEPAX6 PK VER: 0002.24.00

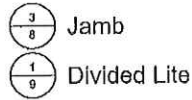
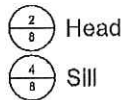
CREATED: 12/20/2018 REVISION:

SHEET  
2  
OF 9



**LINE 9**

SCALE: 3/4" = 1'-0"



**SPECIFICATIONS**

- Line #: 3
- Qty: 1
- Mark Unit: Line 9
- ✓ Brand: Marvin
- ✓ Series: Wood
- ✓ Exterior Finish: Bare, *primed*
- ✓ Species: VGR Douglas Fir
- ✓ Interior Finish: Bare
- ✓ Product: Ultimate Casement / *Fixed*
- ✓ Glass Information: IG - 3/4", Low E2 w/Argon, Stainless
- ✓ Divider Type: 1 1/8" Rectangular SDL W/ Spacer - Stainless
- ✓ Hardware Type: None
- ✓ Hardware Color: None
- ✓ Screen Type: None
- ✓ Screen Surround Color: None
- ✓ Screen Mesh Type: None
- ✓ Jamb Depth: 4 9/16"
- ✓ Interior Trim: None
- ✓ Exterior Casing: Casing Type : None
- ✓ Subsill: Subsill Type : None

**APPROVED**  
By Tim Askin-HPC at 2:17 pm, Dec 28, 2018

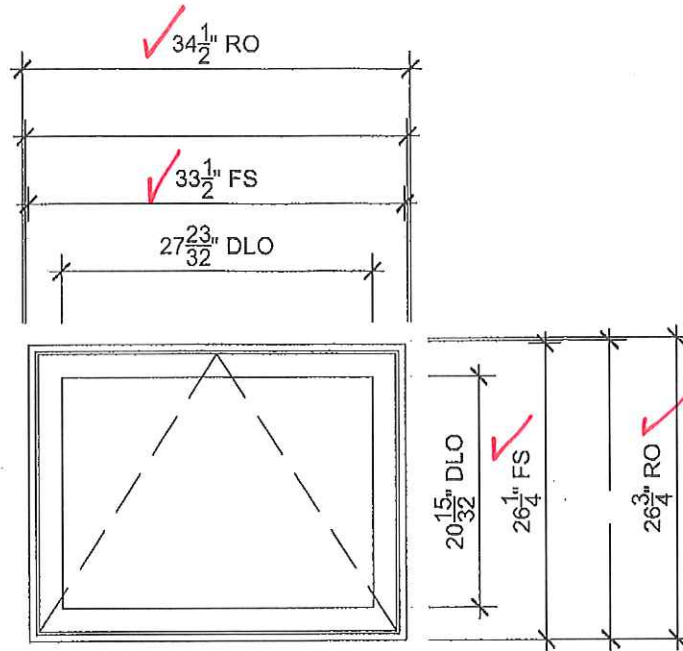
Comments:  
MarvinUCAP (A1) - ^PRIMED VGR DOUGLAS FIR EXTERIOR / BARE INTERIOR



PROJ/JOB: Lafayette / Venture  
 DIST/DEALER: ZUERN BUILDING PRODUCTS INC-ALLENTON  
 DRAWN: STEVE FARRELL  
 QUOTE#: SZEPAX6 PK VER: 0002.24.00

CREATED: 12/20/2018 REVISION:

SHEET  
3  
OF 9



**LINE 10**  
SCALE: 3/4" = 1'-0"



## SPECIFICATIONS

Line #: 4  
Qty: 1

Mark Unit: Line 10

- ✓ Brand: Marvin
- ✓ Series: Wood
- ✓ Exterior Finish: Bare, primed
- ✓ Species: VGR Douglas Fir

✓ Interior Finish: Bare

Product: Ultimate Awning

Glass Information: IG - 3/4", Low E2 w/Argon, Stainless

✓ Divider Type: None

Hardware Type: ~~Folding Handle, No Sash Travel Limiter~~ Full sash removal levers

✓ Hardware Color: Antique Brass

✓ Screen Type: No Screen wood

✓ Screen Surround Color: None ~~over bare~~

✓ Screen Mesh Type: None charcoal fiberglass mesh

Jamb Depth: 4 9/16"

Interior Trim: None

Exterior Casing: Casing Type : None

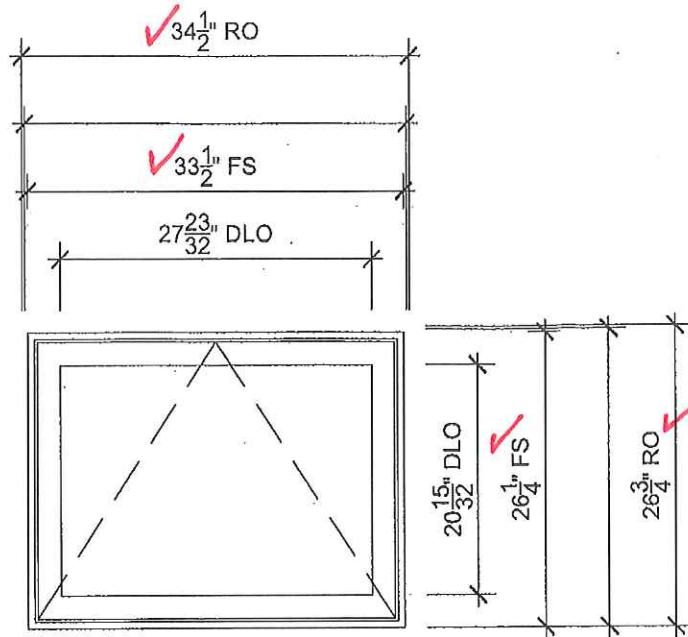
Subsill: Subsill Type : None

Comments:

MarvinUAWN (A1) - ^PRIMED VGR DOUGLAS FIR EXTERIOR / BARE INTERIOR

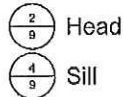
**APPROVED**

By Tim Askin-HPC at 2:18 pm, Dec 28, 2018



**LINE 11, 14, 15, 16, 17**

SCALE: 3/4" = 1'-0"



## SPECIFICATIONS

Line #: 5

Qty: 5

Mark Unit: Line 11, 14, 15, 16, 17

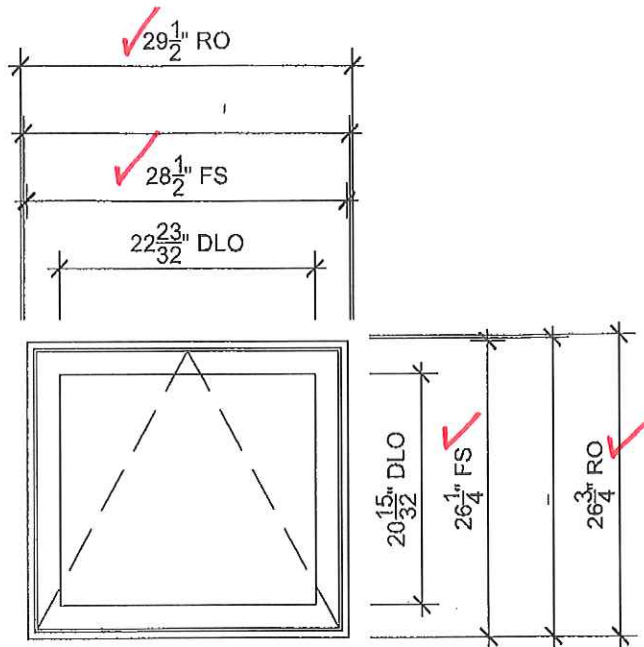
- ✓ Brand: Marvin
- ✓ Series: Wood
- ✓ Exterior Finish: Bare, *primed*
- ✓ Species: VGR Douglas Fir
- ✓ Interior Finish: Bare
- ✓ Product: Ultimate Awning
- ✓ Glass Information: IG - 3/4", Low E2 w/Argon, Stainless
- ✓ Divider Type: None
- ✓ Hardware Type: Folding Handle, No Sash Travel Limiter, *lock lever*
- ✓ Hardware Color: Antique Brass
- ✓ Screen Type: ~~No Screen~~ *wood*
- ✓ Screen Surround Color: ~~None~~ *bare*
- ✓ Screen Mesh Type: ~~None~~ *charcoal fiberglass mesh*
- ✓ Jamb Depth: 4 9/16"
- ✓ Interior Trim: None
- ✓ Exterior Casing: Casing Type : None
- ✓ Subsill: Subsill Type : None

Comments:

MarvinUAWN (A1) - ^PRIMED VGR DOUGLAS FIR EXTERIOR / BARE INTERIOR

**APPROVED**

*By Tim Askin-HPC at 2:18 pm, Dec 28, 2018*



**LINE 12,13**

SCALE: 3/4" = 1'-0"



Head



Jamb



Sill

## SPECIFICATIONS

Line #: 6

Qty: 2

Mark Unit: Line 12,13

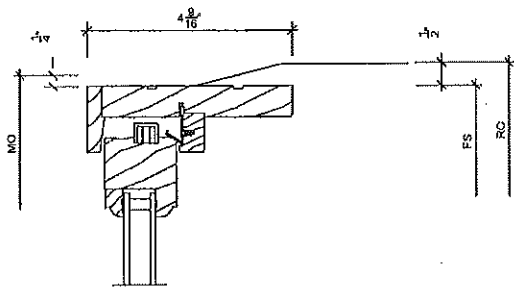
- ✓ Brand: Marvin
- ✓ Series: Wood
- ✓ Exterior Finish: Bare, *primed*
- ✓ Species: VGR Douglas Fir
- ✓ Interior Finish: Bare
- ✓ Product: Ultimate Awning
- Glass Information: IG - 3/4", Low E2 w/Argon, Stainless
- ✓ Divider Type: None
- ✓ Hardware Type: Folding Handle, No Sash Travel Limiter, *lock lever*
- ✓ Hardware Color: Antique Brass
- Screen Type: *No Screen wood*
- Screen Surround Color: *None bare*
- Screen Mesh Type: *None charcoal fiberglass mesh*
- ✓ Jamb Depth: 4 9/16"
- ✓ Interior Trim: None
- ✓ Exterior Casing: Casing Type : None
- ✓ Subsill: Subsill Type : None

Comments:

MarvinUAWN (A1) - ^PRIMED VGR DOUGLAS FIR EXTERIOR / BARE INTERIOR

**APPROVED**

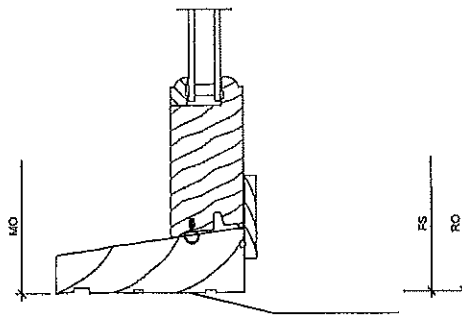
By Tim Askin-HPC at 2:18 pm, Dec 28, 2018



1  
7

Head

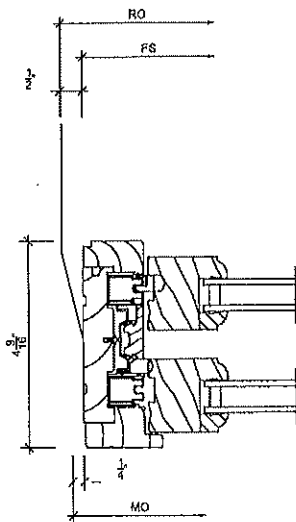
SCALE: 3" = 1'-0"



3  
7

Sill

SCALE: 3" = 1'-0"



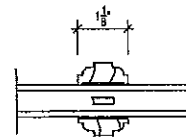
2  
7

Jamb

SCALE: 3" = 1'-0"

**APPROVED**

By Tim Askin-HPC at 2:18 pm, Dec 28, 2018



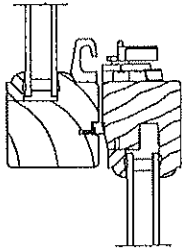
4  
7

Divided Lite

SCALE: 3" = 1'-0"

**APPROVED**

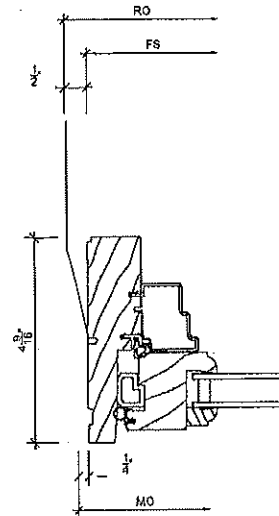
By Tim Askin-HPC at 2:18 pm, Dec 28, 2018



1  
8

**Checkrail**

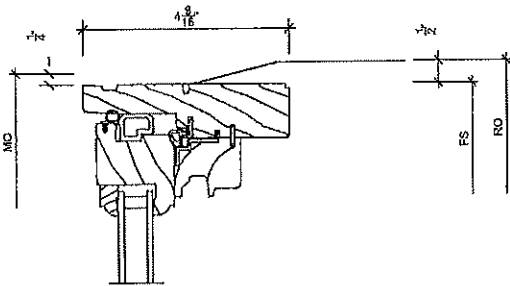
SCALE: 3" = 1'-0"



3  
8

**Jamb**

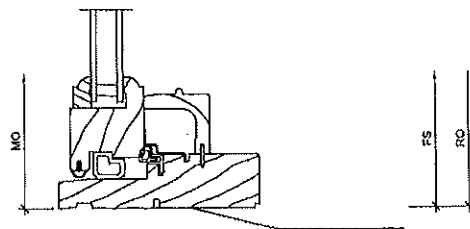
SCALE: 3" = 1'-0"



2  
8

**Head**

SCALE: 3" = 1'-0"



4  
8

**Sill**

SCALE: 3" = 1'-0"



PROJ/JOB: Lafayette / Venture  
DIST/DEALER: ZUERN BUILDING PRODUCTS INC-ALLENTON  
DRAWN: STEVE FARRELL  
QUOTE#: SZEPAX6 PK VER: 0002.24.00

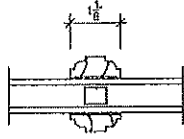
CREATED: 12/20/2018 REVISION:

SHEET  
8  
OF 9



**APPROVED**

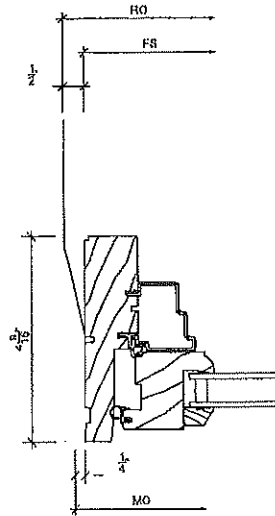
By Tim Askin-HPC at 2:18 pm, Dec 28, 2018



1  
9

**Divided Lite**

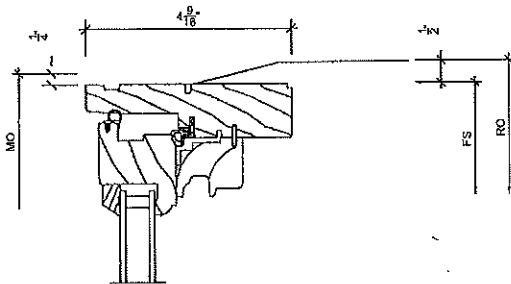
SCALE: 3" = 1'-0"



3  
9

**Jamb**

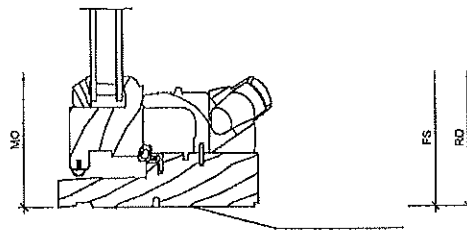
SCALE: 3" = 1'-0"



2  
9

**Head**

SCALE: 3" = 1'-0"



4  
9

**Sill**

SCALE: 3" = 1'-0"