

Disclaimer:

THIS IS AN ORIGINAL DESIGN CREATED BY SIGN EFFECTZ. THE SUBMITTED DESIGN IS PROTECTED UNDER COPYRIGHT LAWS OF THE UNITED STATES. YOU AGREE NOT TO COPY, PHOTOGRAPH, MODIFY OR SHARE DIRECTLY OR INDIRECTLY ANY OF THE FOREGOING HELD BY YOU WITH ANY OTHER PARTY, NOR WILL YOU PERMIT ANY THIRD PARTY TO DO ANY OF THE FOREGOING WITHOUT THE WRITTEN CONSENT OF SIGN EFFECTZ.

THIS SIGN IS INTENDED TO BE INSTALLED IN ACCORDANCE WITH THE REQUIREMENTS OF ARTICLE 600 OF THE NEC AND/OR OTHER APPLICABLE LOCAL CODES. THIS INCLUDES PROPER GROUNDING AND BONDING OF THE SIGN.

Sip & Purr

Fab & Install:
 XXX

Project Address:
 Sip & Purr
 833 East Brady Street
 Milwaukee WI 53202

Billing Address:
 Sip & Purr
 833 East Brady Street
 Milwaukee WI 53202

Date:	By:	Description:
01 05.03.24	ATO	Adjust Awning Install Height
02		
03		
04		
05		

Production Notes:

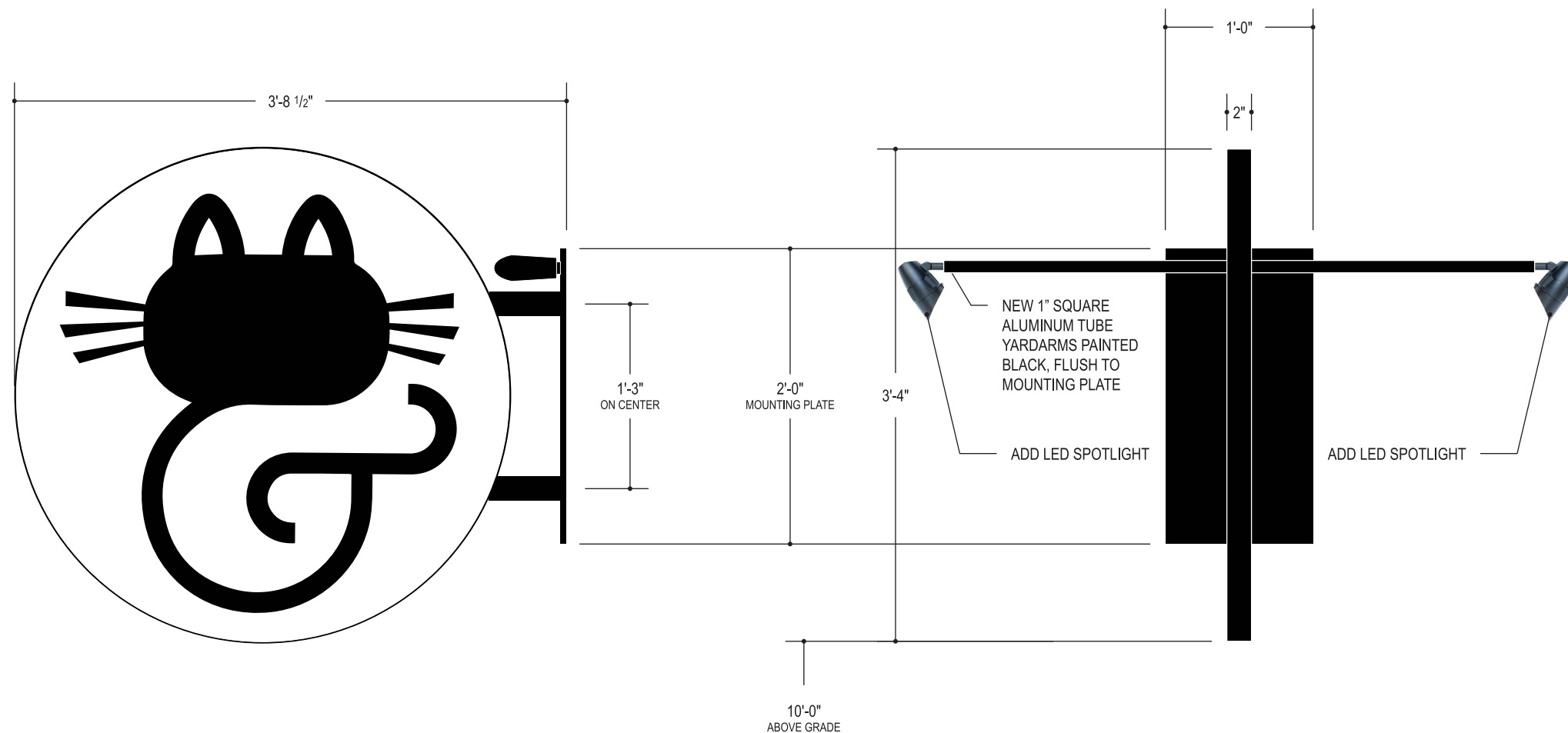
16124766 RECORD ID NO.	01 PRODUCTION RELEASE NO.	01 REVISION:
03.18.24 DATE:	1"= 1'-0" SCALE:	
XXXXX QUOTE NO.	16633 WORK ORDER NO.	-01 MODEL NO.
ATO DRAWN BY:	DN SALESPERSON:	XXX PROJECT MANAGER:
B SIZE:	P-1 SHEET NO:	01 REV NO:



PROPOSED VIEW - NTS



5000k, White LED Spotlight in Black Finish (Qty: 2, 1 per side)



Colors/ Materials

Matthews Paint, Standard Black (Satin Finish)

Fabrication Description:
 - 1/2: Aluminum Mounting Plate w/ 1" Square Aluminum Yardarms, Accent Rolled Plate w/ 1/2" Tube Mounting
 - LED Spotlights Mounting from Mounting Plate

Disclaimer:

THIS IS AN ORIGINAL DESIGN CREATED BY SIGN EFFECTZ. THE SUBMITTED DESIGN PROTECTED UNDER COPYRIGHT LAWS OF THE UNITED STATES CODE YOU AGREE NOT TO COPY PHOTOGRAPH MODIFY OR SHARE DIRECTLY OR INDIRECTLY ANY OF THE FOREGOING HELD BY YOU WITH ANY OTHER PARTY, NOR WILL YOU PERMIT ANY THIRD PARTY TO DO ANY OF THE FOREGOING WITHOUT THE WRITTEN CONSENT OF SIGN EFFECTZ.

THIS SIGN IS INTENDED TO BE INSTALLED IN ACCORDANCE WITH THE REQUIREMENTS OF ARTICLE 600 OF THE NEC AND/OR OTHER APPLICABLE LOCAL CODES, THIS INCLUDES PROPER GROUNDING AND BONDING OF THE SIGN.

Sip & Purr

Fab & Install:
XXX

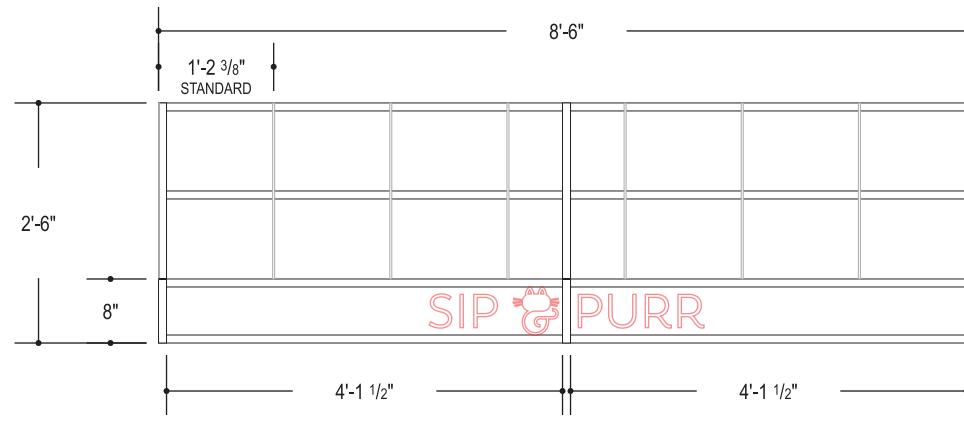
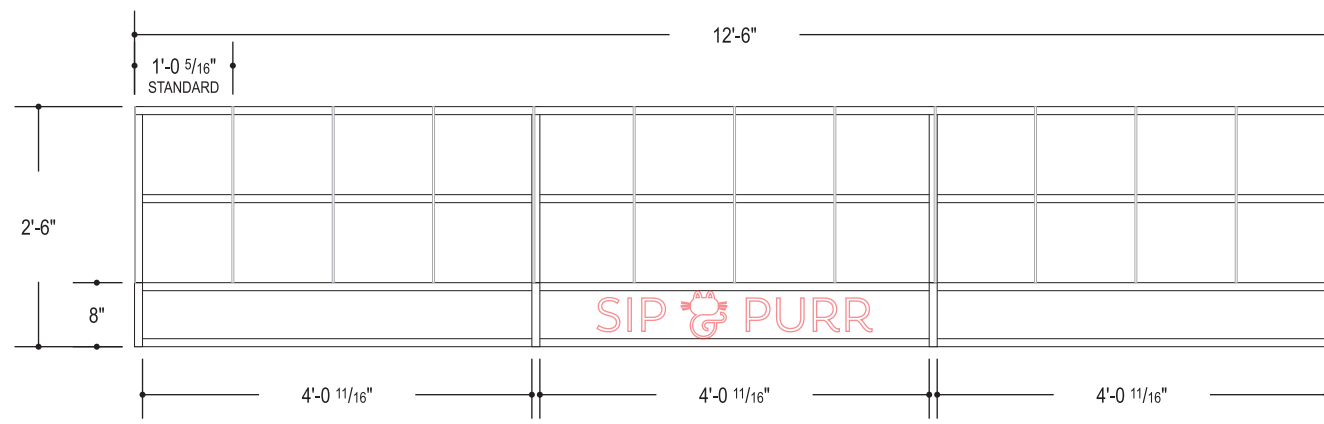
Project Address:
Sip & Purr
833 East Brady Street
Milwaukee WI 53202

Billing Address:
Sip & Purr
833 East Brady Street
Milwaukee WI 53202

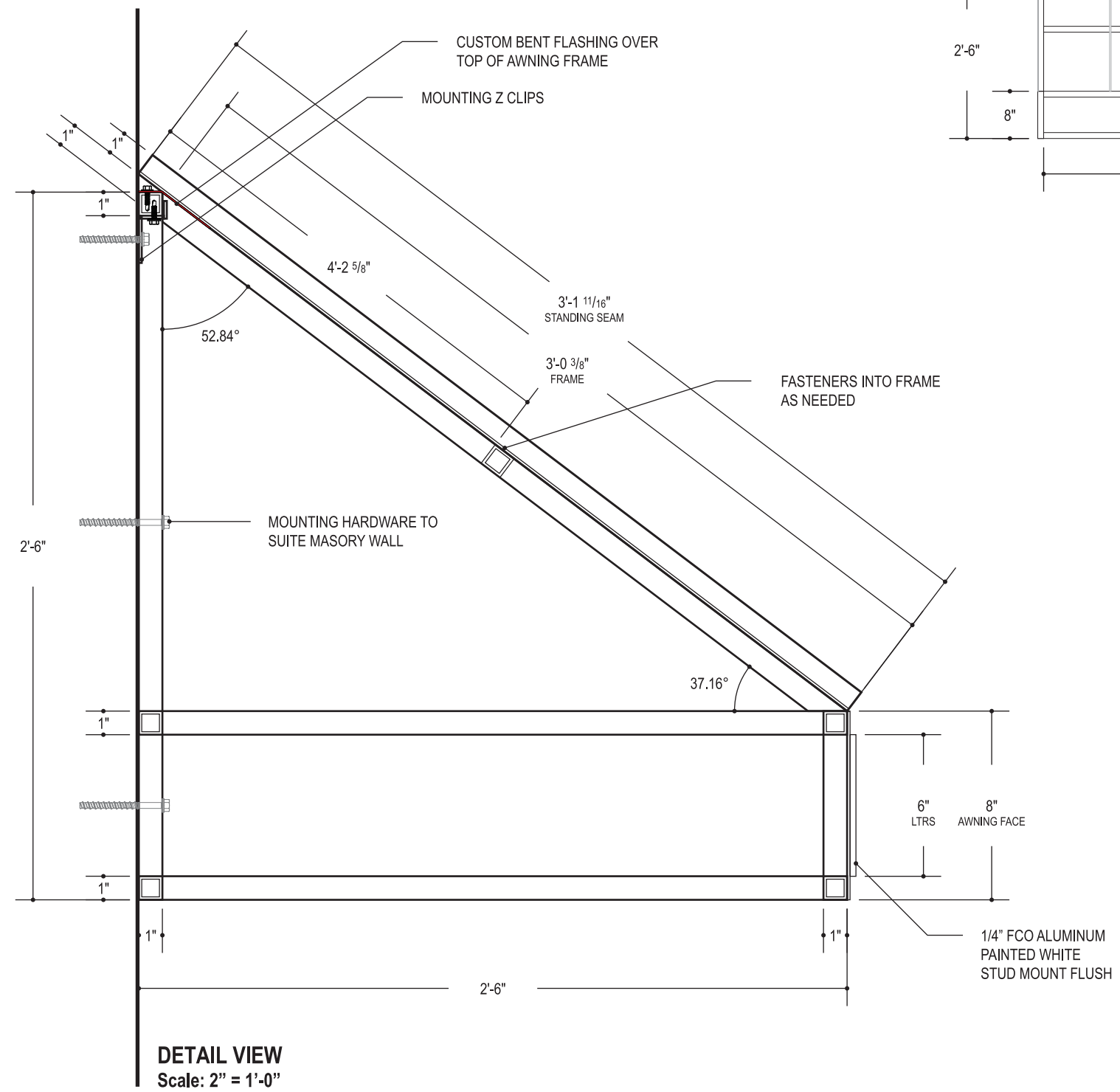
Date:	By:	Description:
01 05.03.24	ATO	Adjust Awning Install Height
02		
03		
04		
05		

Production Notes:

16124766 RECORD ID NO.	01 PRODUCTION RELEASE NO.	01 REVISION:
03.18.24 DATE:	1"= 1'-0" SCALE:	
XXXXX QUOTE NO.	16633 WORK ORDER NO.	-02 MODEL NO.
ATO DRAWN BY:	DN SALESPERSON:	XXX PROJECT MANAGER:
B SIZE:	P-3 SHEET NO:	01 REV NO:



DETAIL VIEW
Scale: 1/2" = 1'-0"



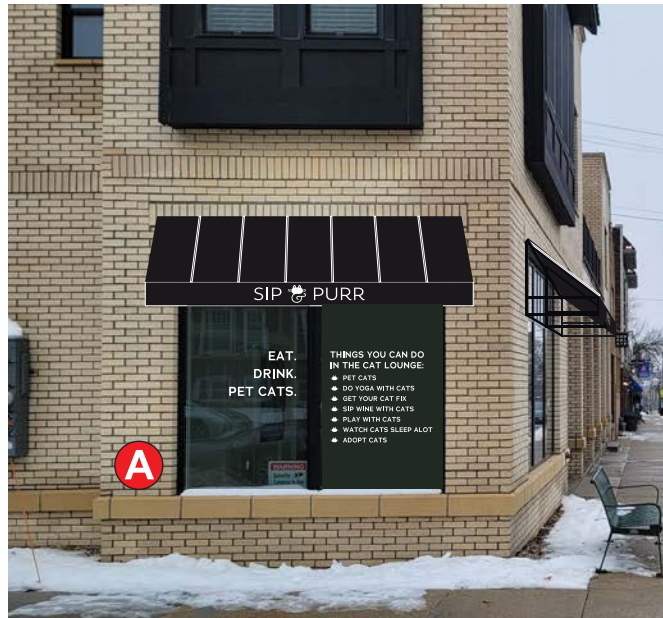
DETAIL VIEW
Scale: 2" = 1'-0"

Colors/ Materials

■	Matthews Paint Standard Black (Satin Finish)
□	Matthews Paint Standard White (Satin Finish)

Fabrication Description:
 - 1" Aluminum Square Tube Frame Painted Black, Skinned w/ Aluminum Sheeting w/ 1" Standing Seams, Painted Black
 - 1/4" FCO Aluminum Painted White

Disclaimer:
 THIS IS AN ORIGINAL DESIGN CREATED BY SIGN EFFECTZ. THE SUBMITTED DESIGN IS PROTECTED UNDER COPYRIGHT LAWS OF THE UNITED STATES. YOU AGREE NOT TO COPY, PHOTOGRAPH, MODIFY OR SHARE DIRECTLY OR INDIRECTLY ANY OF THE FOREGOING HELD BY YOU WITH ANY OTHER PARTY, NOR WILL YOU PERMIT ANY THIRD PARTY TO DO ANY OF THE FOREGOING WITHOUT THE WRITTEN CONSENT OF SIGN EFFECTZ.
 THIS SIGN IS INTENDED TO BE INSTALLED IN ACCORDANCE WITH THE REQUIREMENTS OF ARTICLE 600 OF THE NEC AND/OR OTHER APPLICABLE LOCAL CODES. THIS INCLUDES PROPER GROUNDING AND BONDING OF THE SIGN.



Sip & Purr

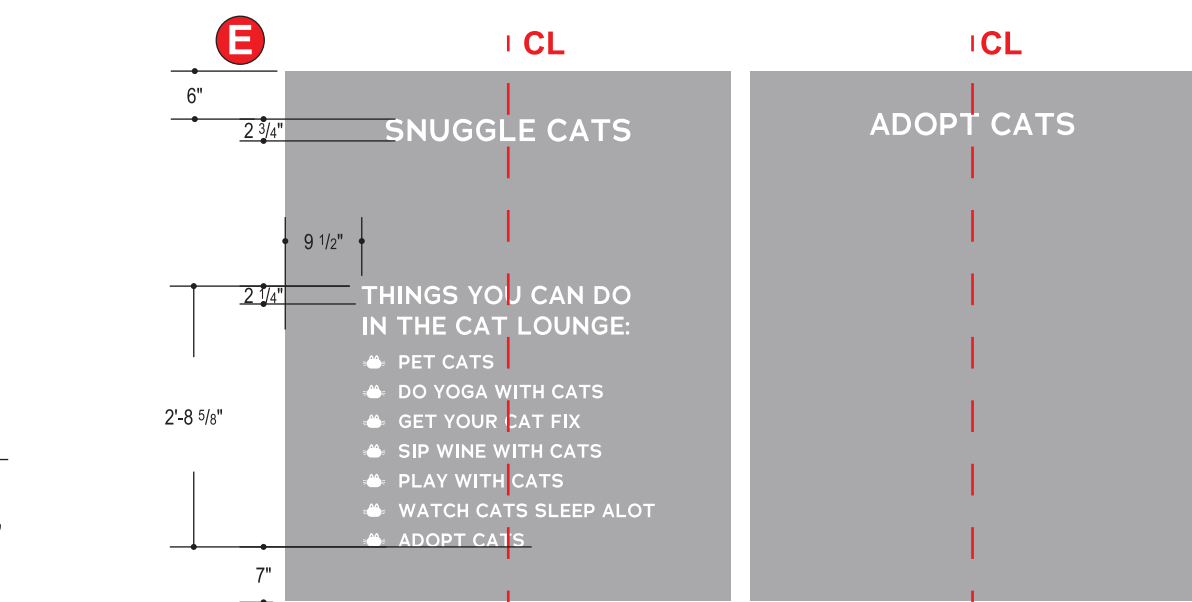
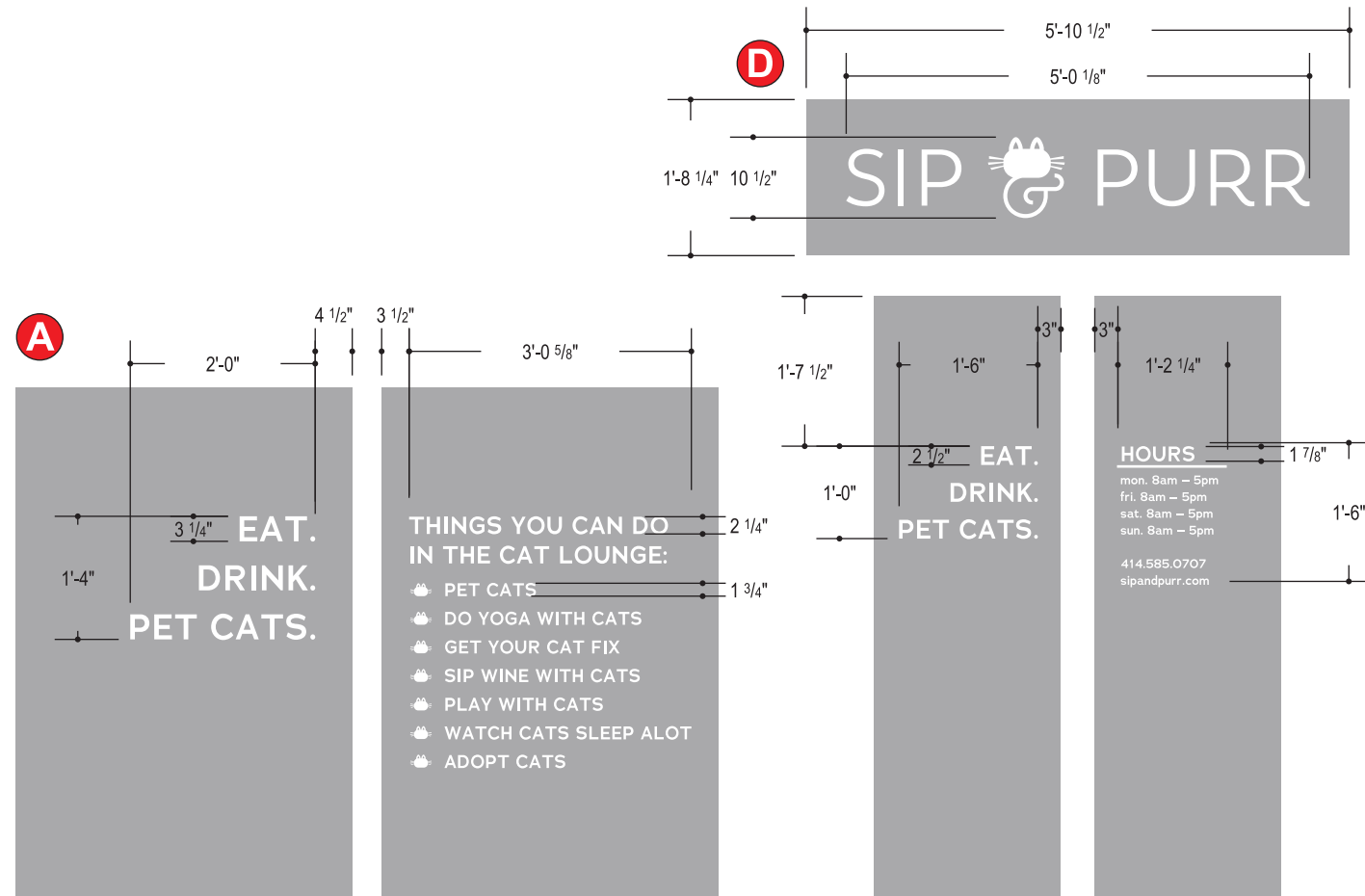
Fab & Install:
 XXX

Project Address:
 Sip & Purr
 833 East Brady Street
 Milwaukee WI 53202

Billing Address:
 Sip & Purr
 833 East Brady Street
 Milwaukee WI 53202

Date:	By:	Description:
01 05.03.24	ATO	Adjust Awning Install Height
02		
03		
04		
05		

Production Notes:



Colors/ Materials
 3M 7725-20, Matte White (Opaque)

Fabrication Description:
 - 1st Surface Applied White Opaque Vinyl

16124766 RECORD ID NO.	01 PRODUCTION RELEASE NO.	01 REVISION:
03.18.24 DATE:	1/2"= 1'-0" SCALE:	
XXXXX QUOTE NO.	16633 WORK ORDER NO.	-04 MODEL NO.
ATO DRAWN BY:	DN SALESPERSON:	XXX PROJECT MANAGER:
B SIZE:	P-4 SHEET NO:	01 REV NO:

Disclaimer:
 THIS IS AN ORIGINAL DESIGN CREATED BY SIGN EFFECTZ. THE SUBMITTED DESIGN PROTECTED UNDER COPYRIGHT LAWS OF THE UNITED STATES CODE. YOU AGREE NOT TO COPY PHOTOGRAPH MODIFY OR SHARE DIRECTLY OR INDIRECTLY ANY OF THE FOREGOING HELD BY YOU WITH ANY OTHER PARTY, NOR WILL YOU PERMIT ANY THIRD PARTY TO DO ANY OF THE FOREGOING WITHOUT THE WRITTEN CONSENT OF SIGN EFFECTZ.
 THIS SIGN IS INTENDED TO BE INSTALLED IN ACCORDANCE WITH THE REQUIREMENTS OF ARTICLE 600 OF THE NEC AND/OR OTHER APPLICABLE LOCAL CODES, THIS INCLUDES PROPER GROUNDING AND BONDING OF THE SIGN.

Sip & Purr

Fab & Install:
 XXX

Project Address:
 Sip & Purr
 833 East Brady Street
 Milwaukee WI 53202

Billing Address:
 Sip & Purr
 833 East Brady Street
 Milwaukee WI 53202

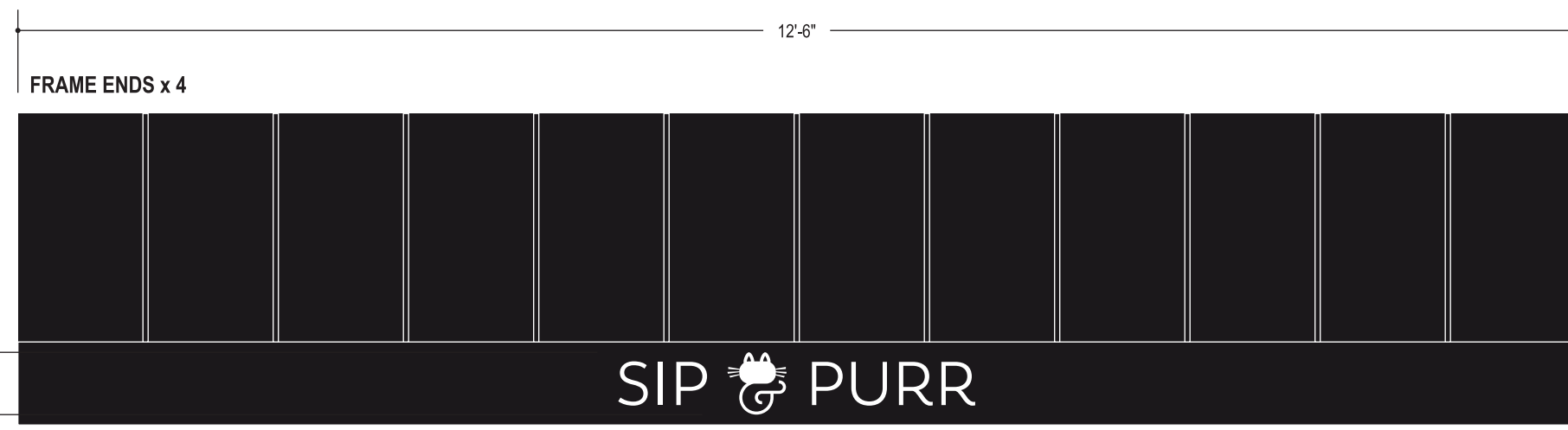
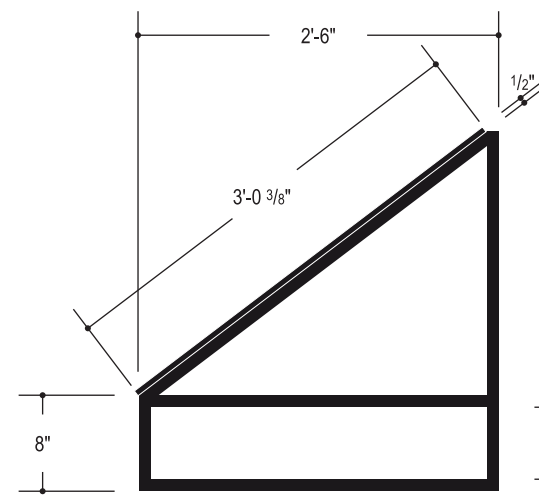
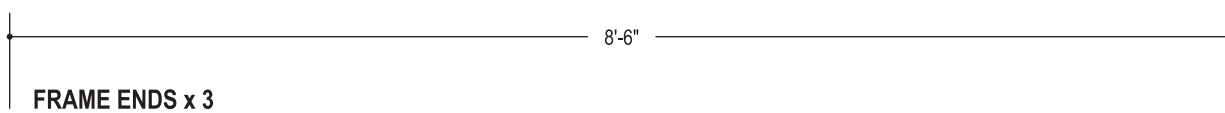
Date:	By:	Description:
01 05.03.24	ATO	Adjust Awning Install Height
02		
03		
04		
05		

Production Notes:


16124766 RECORD ID NO.	01 PRODUCTION RELEASE NO.	01 REVISION:
03.18.24 DATE:	3/4" = 1'-0" SCALE:	
XXXXX QUOTE NO.	16633 WORK ORDER NO.	-02 MODEL NO.
ATO DRAWN BY:	DN SALESPERSON:	XXX PROJECT MANAGER:
B SIZE:	P-2 SHEET NO:	01 REV NO:



PROPOSED VIEW - NTS



Colors/ Materials

	Matthews Paint Standard Black (Satin Finish)
	Matthews Paint Standard White (Satin Finish)

Fabrication Description:
 - 1" Aluminum Square Tube Frame Painted Black, Skinned w/ Aluminum Sheeting w/ 1" Standing Seams, Painted Black
 - 1/4" FCO Aluminum Painted White