

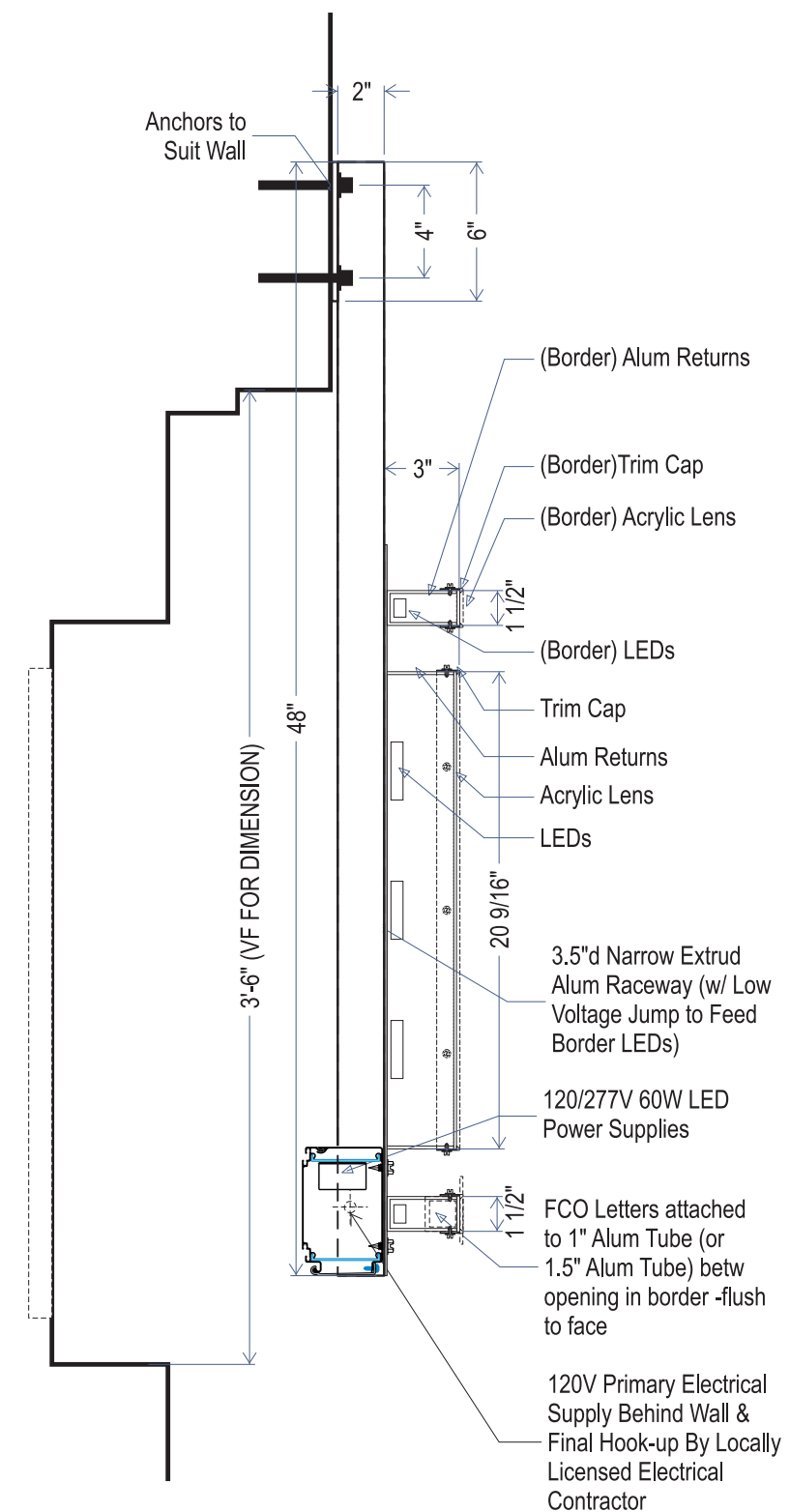
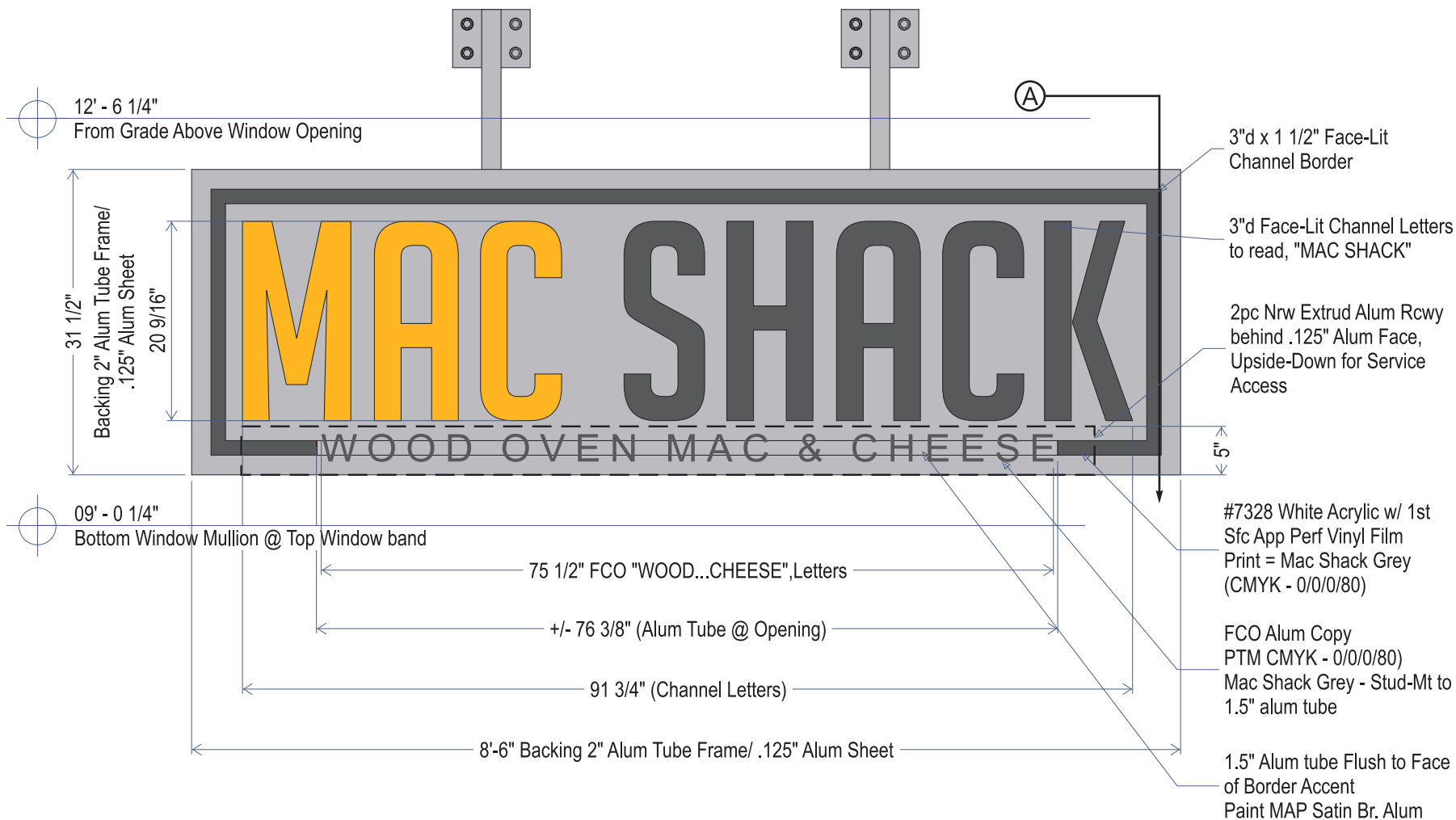
Face-Lit Channel Letters, Face-Lit Channel Border and FCO Alum Tagline - (19 Sq Ft)

(1) Req'd

3/4" = 1' - 0" Scale

Channel Letters: Fabricate and Install (1) Set of 3"d Face-Lit Channel Letters to read "MAC SHACK" to Extruded Alum Raceway painted to match MAP Satin Br. Alum, (1) Set of 3"d Channel Border w/ Alum tube fastened to returns at opening for mounting FCO Letters. Sign to be placed centered to window opening on West Elevation/ Humbolt. 120V Primary Electrical Connection to Existing Power and Hook-up by Locally Licensed Electrician.

- Letters: 3"d Prefin Black Alum Returns
- Border: 3"d Prefin Black Alum Returns
- Backer: Prefin White Alum
- Faces: .118" #7328 White Acrylic
- Trim Cap: 1" Black Jewelite
- FCO: .125" thk Routed Alum
- LEDs: White Qwik Mod 2 7100K
- Power Supplies: (2) 120/277V 60W BE Brite
- FCOs: 1/8" Routed Alum (mounted to 1.5" tube betw border opening)
- Support: 2" Alum Tube Frame w/ .125" Alum on Face to Mount Channel Letters/ Border
- Anchoring: Masonry Anchors



A) Face-Lit Channel Border - Side Detail  
1 1/2" = 1' - 0" Scale

Color Schedule:

- 3M 3630-125 'Golden Yellow' Translucent Vinyl Film (stock film closest to branding) 'Mac Shack Golden Yellow'
- MAP Satin Brushed Alum Painted Finish
- Perforated Opaque Vinyl Film Printed to Match CMYK 0/0/0/80, 'Mac Shack Grey'
- Paint Match CMYK 0/0/0/80, 'Mac Shack Grey'
- Prefinished Black Alum Returns/ Jewelite Trim Cap
- MAP Satin White Painted Finish

**SignEffectz, Inc**  
SIGN / LIGHTING  
www.signeffectz.com

1827 W. GLENDALE AVE. MILWAUKEE, WI 53209  
PH: 414.264.5504 FX: 414.264.5564

**Project:**  
Mac Shack/  
Brady St. Milwaukee

**Description:**  
(1) Set 3"d Face-Lit Channel Letters  
(1) 3" Face-Lit Channel Border  
(1) Set of FCO Letters w/ Mounting Tube

**Project Location:**  
1701 N Humboldt Ave,  
Milwaukee, WI 53202, USA

**Billing Location:**  
1701 N Humboldt Ave  
Milwaukee, WI 53202, USA

**PRODUCTION RELEASE**

**Sales Rep:** JCB      **Date:** 10/23/18  
**Design:** AAE

**Disclaimer:**  
THIS IS AN ORIGINAL DESIGN CREATED BY SIGN EFFECTZ. THE SUBMITTED DESIGN PROTECTED UNDER COPYRIGHT LAWS OF THE UNITED STATES CODE YOU AGREE NOT TO COPY PHOTOGRAPH MODIFY OR SHARE DIRECTLY OR INDIRECTLY ANY OF THE FOREGOING HELD BY YOU WITH ANY OTHER PARTY, NOR WILL YOU PERMIT ANY TIRDS PARTY TO DO ANY OF THE FOREGOING WITHOUT THE WRITTEN CONSENT OF SIGN EFFECTZ.

THIS SIGN IS INTENDED TO BE INSTALLED IN ACCORDANCE WITH THE REQUIREMENTS OF ARTICLE 600 OF THE NEC AND/OR OTHER APPLICABLE LOCAL CODES. THIS INCLUDES PROPER GROUNDING AND BONDING OF THE SIGN.

**Notes**  
Re-designed to Follow Local Ordinance & Requirements

**REVISIONS:**

Rev A redesigned all to fit local code/ requirements	By AE	Date 01/16/19
Rev B "OVEN FRIED." To, "WOOD OVEN."	By AE	Date 01/29/19
Rev C -	By -	Date
Rev D -	By -	Date
Rev E -	By -	Date
Rev F -	By -	Date

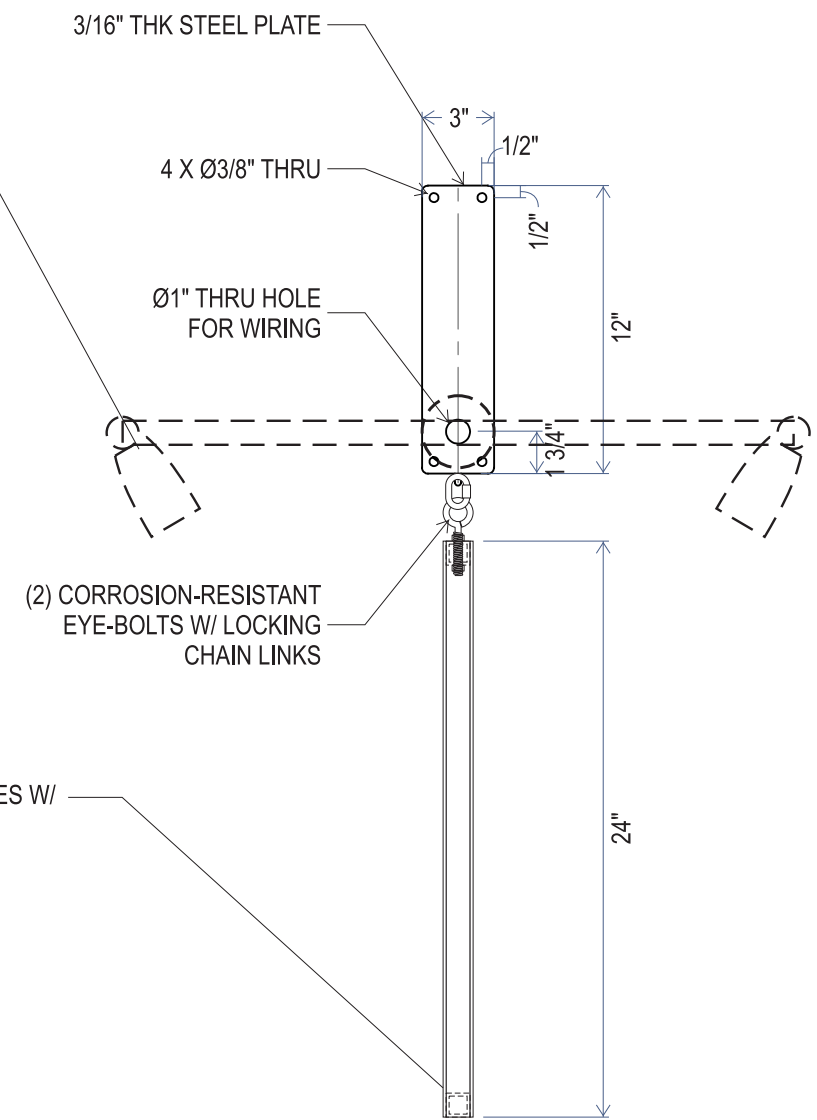
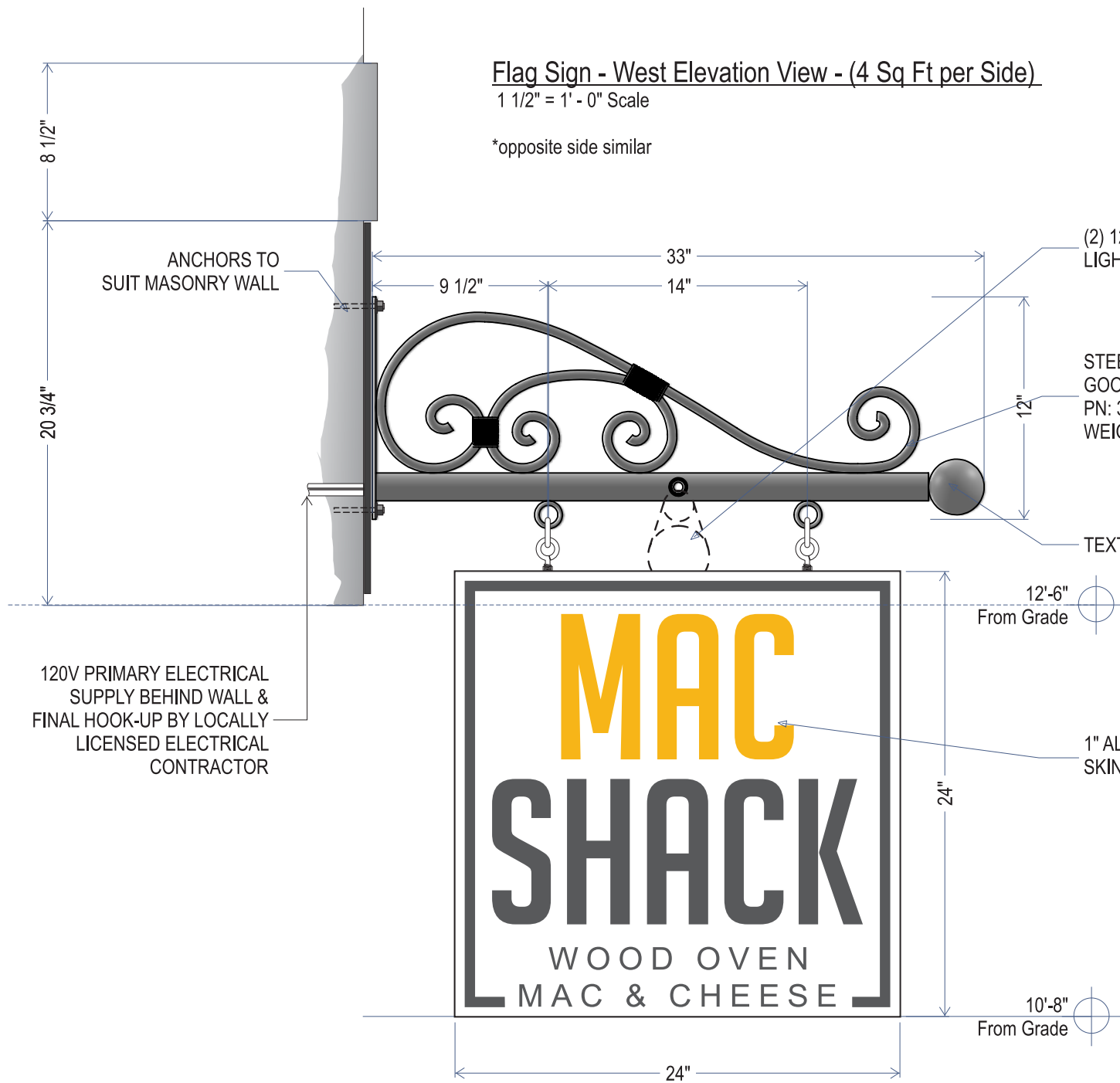
**Scale:** As Noted  
**Original Page Size:** 11" x 17"

21208927    P\_01    R2  
INS - PROJ NO.    DESIGN PG    REV NO.

3  
PRODUCTION PKG NO.

11143  
ESTIMATE NO.

Work Order #: 11400



**Flag Sign - Front View - (4 Sq Ft per Side)**  
 1 1/2" = 1' - 0" Scale



1827 W. GLENDALE AVE. MILWAUKEE, WI 53209  
 PH: 414.264.5504 FX: 414.264.5564



**Project:**  
 Mac Shack/  
 Brady St. Milwaukee

**Description:**  
 (1) Set 3"d Face-Lit Channel Letters  
 (1) 3" Face-Lit Channel Border  
 (1) Set of FCO Letters w/ Mounting Tube

**Project Location:**  
 1701 N Humboldt Ave,  
 Milwaukee, WI 53202, USA

**Billing Location:**  
 1701 N Humboldt Ave  
 Milwaukee, WI 53202, USA

**PRODUCTION RELEASE**

**Sales Rep:** JCB **Date:** 10/23/18  
**Design:** AAE

**Disclaimer:**  
 THIS IS AN ORIGINAL DESIGN CREATED BY SIGN EFFECTZ. THE SUBMITTED DESIGN PROTECTED UNDER COPYRIGHT LAWS OF THE UNITED STATES CODE YOU AGREE NOT TO COPY PHOTOGRAPH MODIFY OR SHARE DIRECTLY OR INDIRECTLY ANY OF THE FOREGOING HELD BY YOU WITH ANY OTHER PARTY, NOR WILL YOU PERMIT ANY TIRDS PARTY TO DO ANY OF THE FOREGOING WITHOUT THE WRITTEN CONSENT OF SIGN EFFECTZ.

THIS SIGN IS INTENDED TO BE INSTALLED IN ACCORDANCE WITH THE REQUIREMENTS OF ARTICLE 600 OF THE NEC AND/OR OTHER APPLICABLE LOCAL CODES. THIS INCLUDES PROPER GROUNDING AND BONDING OF THE SIGN.

**Notes**  
 Re-designed to Follow Local Ordinance & Requirements

**REVISIONS:**

Rev A redesigned all to fit local code/ requirements	By AE	Date 01/16/19
Rev B "OVEN FRIED," To, "WOOD OVEN,,"	By AE	Date 01/29/19
Rev C -	By -	Date
Rev D -	By -	Date
Rev E -	By -	Date
Rev F -	By -	Date

**Scale:** 1 1/2" = 1' - 0"  
**Original Page Size:** 11" x 17"

21208927 P\_02 R2  
 INS - PROJ NO. DESIGN PG REV NO.

3  
 PRODUCTION PKG NO.

11143  
 ESTIMATE NO.

Work Order #: 11400

**WEST ELEVATION WALL - HUMBOLT AV. - MAIN ID SIGN**  
 \* CENTER SIGN TO TOP WINDOW OPENING

**SOUTH ELEVATION WALL - FLAG SIGN**  
 BRADY ST.

20 3/4"



1827 W. GLENDALE AVE. MILWAUKEE, WI 53209  
 PH: 414.264.5504 FX: 414.264.5564



**Project:**  
 Mac Shack/  
 Brady St. Milwaukee

**Description:**  
 (1) Set 3"d Face-Lit Channel Letters  
 (1) 3" Face-Lit Channel Border  
 (1) Set of FCO Letters w/ Mounting Tube

**Project Location:**  
 1701 N Humboldt Ave,  
 Milwaukee, WI 53202, USA

**Billing Location:**  
 1701 N Humboldt Ave  
 Milwaukee, WI 53202, USA

**PRODUCTION RELEASE**

**Sales Rep:** JCB **Date:** 10/23/18  
**Design:** AAE

**Disclaimer:**  
 THIS IS AN ORIGINAL DESIGN CREATED BY SIGN EFFECTZ. THE SUBMITTED DESIGN PROTECTED UNDER COPYRIGHT LAWS OF THE UNITED STATES CODE YOU AGREE NOT TO COPY PHOTOGRAPH MODIFY OR SHARE DIRECTLY OR INDIRECTLY ANY OF THE FOREGOING HELD BY YOU WITH ANY OTHER PARTY, NOR WILL YOU PERMIT ANY TIRDS PARTY TO DO ANY OF THE FOREGOING WITHOUT THE WRITTEN CONSENT OF SIGN EFFECTZ.

THIS SIGN IS INTENDED TO BE INSTALLED IN ACCORDANCE WITH THE REQUIREMENTS OF ARTICLE 600 OF THE NEC AND/OR OTHER APPLICABLE LOCAL CODES. THIS INCLUDES PROPER GROUNDING AND BONDING OF THE SIGN.

**Notes**  
 Re-designed to Follow Local Ordinance & Requirements

**REVISIONS:**

Rev A redesigned all to fit local code/ requirements	By AE	Date 01/16/19
Rev B "OVEN FRIED," To, "WOOD OVEN,,"	By AE	Date 01/29/19
Rev C -	By -	Date
Rev D -	By -	Date
Rev E	By	Date
Rev F	By	Date

**Scale:** As Noted  
**Original Page Size:** 11" x 17"

21208927 P\_03 R2  
 INS - PROJ NO. DESIGN PG REV NO.

3  
 PRODUCTION PKG NO.

11143  
 ESTIMATE NO.

Work Order #: 11400



Projected Night View - NTS - Face-Lit Non-Lit

**SOUTH ELEVATION - HANGING ID SIGN - BRADY ST.**

\* CENTER BRACKET TO BRICK BAND ABOVE TOP WINDOWS



GOOSENECK SPOT ILLUMINATION



**Project:**  
Mac Shack/  
Brady St. Milwaukee

**Description:**  
(1) Set 3"d Face-Lit Channel Letters  
(1) 3" Face-Lit Channel Border  
(1) Set of FCO Letters w/ Mounting Tube

**Project Location:**  
1701 N Humboldt Ave,  
Milwaukee, WI 53202, USA

**Billing Location:**  
1701 N Humboldt Ave  
Milwaukee, WI 53202, USA

**PRODUCTION RELEASE**

**Sales Rep:** JCB **Date:** 10/23/18  
**Design:** AAE

**Disclaimer:**  
THIS IS AN ORIGINAL DESIGN CREATED BY SIGN EFFECTZ. THE SUBMITTED DESIGN PROTECTED UNDER COPYRIGHT LAWS OF THE UNITED STATES CODE YOU AGREE NOT TO COPY PHOTOGRAPH MODIFY OR SHARE DIRECTLY OR INDIRECTLY ANY OF THE FOREGOING HELD BY YOU WITH ANY OTHER PARTY, NOR WILL YOU PERMIT ANY TIRDS PARTY TO DO ANY OF THE FOREGOING WITHOUT THE WRITTEN CONSENT OF SIGN EFFECTZ.

THIS SIGN IS INTENDED TO BE INSTALLED IN ACCORDANCE WITH THE REQUIREMENTS OF ARTICLE 600 OF THE NEC AND/OR OTHER APPLICABLE LOCAL CODES. THIS INCLUDES PROPER GROUNDING AND BONDING OF THE SIGN.

**Notes**  
Re-designed to Follow Local Ordinance & Requirements

**REVISIONS:**

Rev A redesigned all to fit local code/ requirements	By AE	Date 01/16/19
Rev B "OVEN FRIED," To, "WOOD OVEN,,"	By AE	Date 01/29/19
Rev C -	By -	Date
Rev D -	By -	Date
Rev E -	By -	Date
Rev F -	By -	Date

**Scale:** As Noted  
**Original Page Size:** 11" x 17"

21208927 P\_04 R2  
INS - PROJ NO. DESIGN PG REV NO.

3  
PRODUCTION PKG NO.

11143  
ESTIMATE NO.

Work Order #: 11400