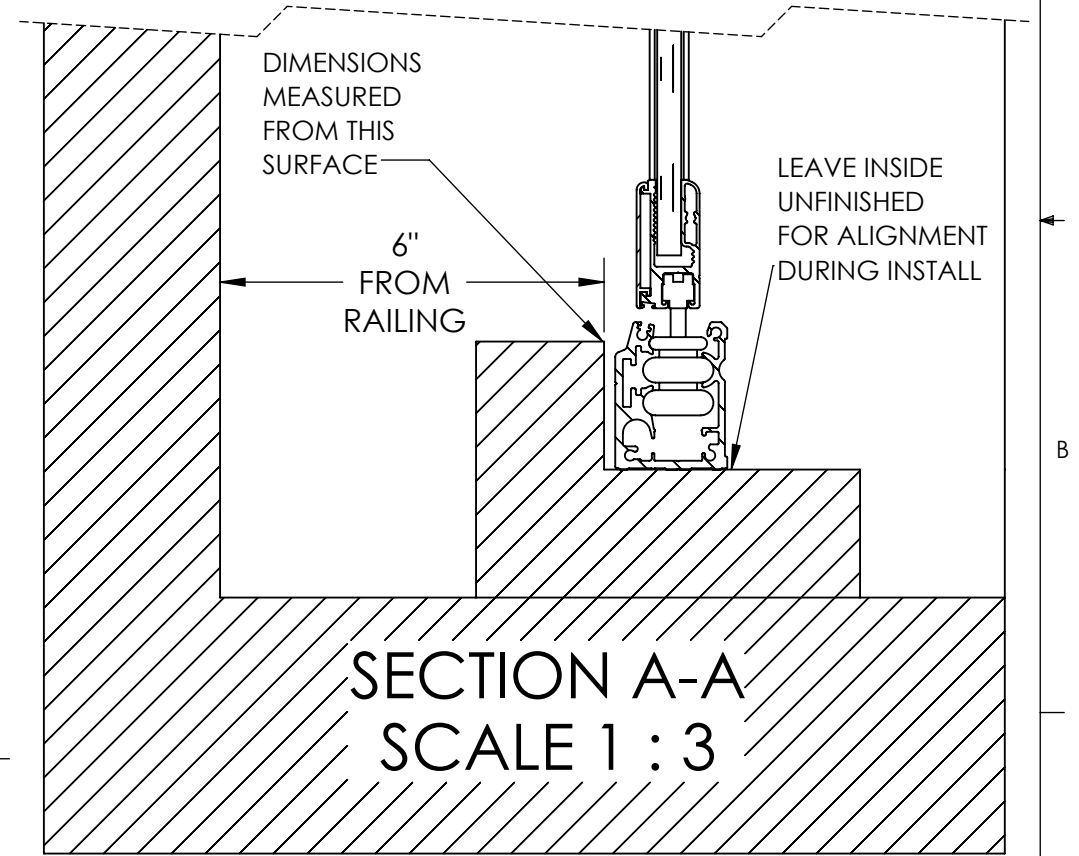


372.23



UNLESS OTHERWISE SPECIFIED DIMENSIONS ARE IN INCHES		THIRD ANGLE PROJECTION		PROJECT DESIGNATION	
TOLERANCES EXCEPT AS NOTED		APPROVALS	DATE		702 Troy St. River Falls WI 54022 715.426.4000
.X ± .10	.XXXX ± .0005	DRAWN	1/29/2016		
.XX ± .01	Angles ± 1°	MATERIAL		THIS DOCUMENT IS THE PROPERTY OF CABRECO COMPANIES LLC AND MAY NOT BE USED, REPRODUCED, PUBLISHED OR DISCLOSED WITHOUT AUTHORIZATION FROM CABRECO COMPANIES LLC.	
.XXX ± .005	FINISH				
CONFIDENTIAL THIS DOCUMENT IS THE PROPERTY OF CABRECO COMPANIES LLC AND MAY NOT BE USED, REPRODUCED, PUBLISHED OR DISCLOSED WITHOUT AUTHORIZATION FROM CABRECO COMPANIES LLC.		SIZE	DWG. NO.	CONFIGURATION	REV.
		B	C054-Casablanca	Default	
		DO NOT SCALE	Weight:	lbs.	SHEET 1 OF 1