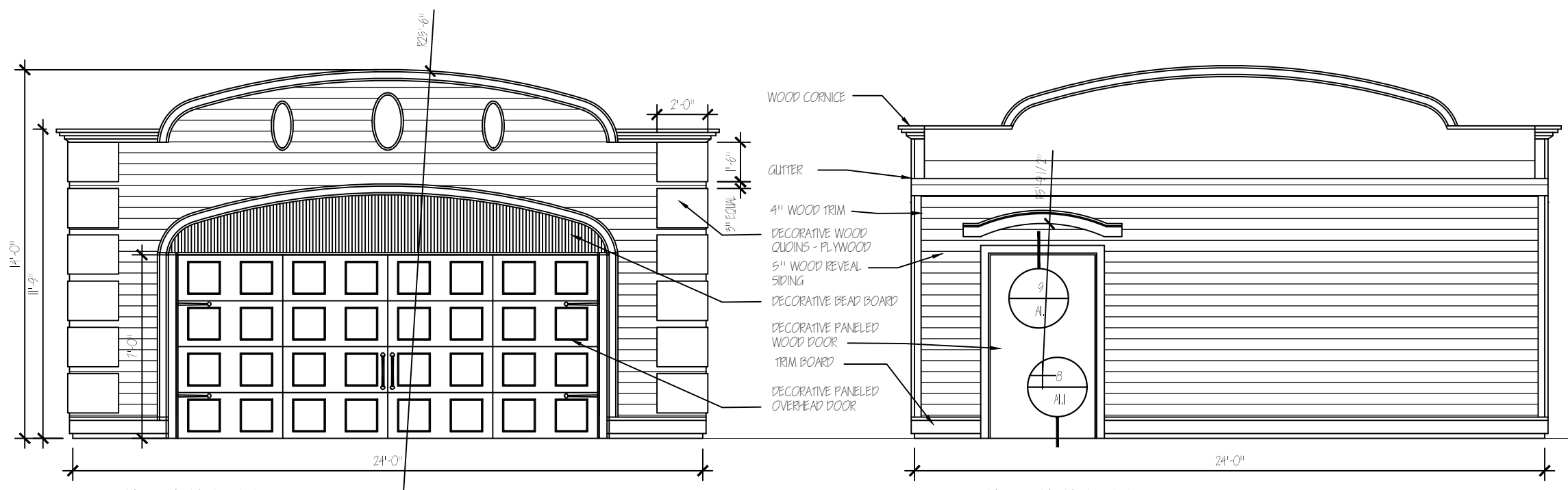


1 SITE PLAN - NEW CONSTRUCTION
SCALE: 1/8" = 1'-0"

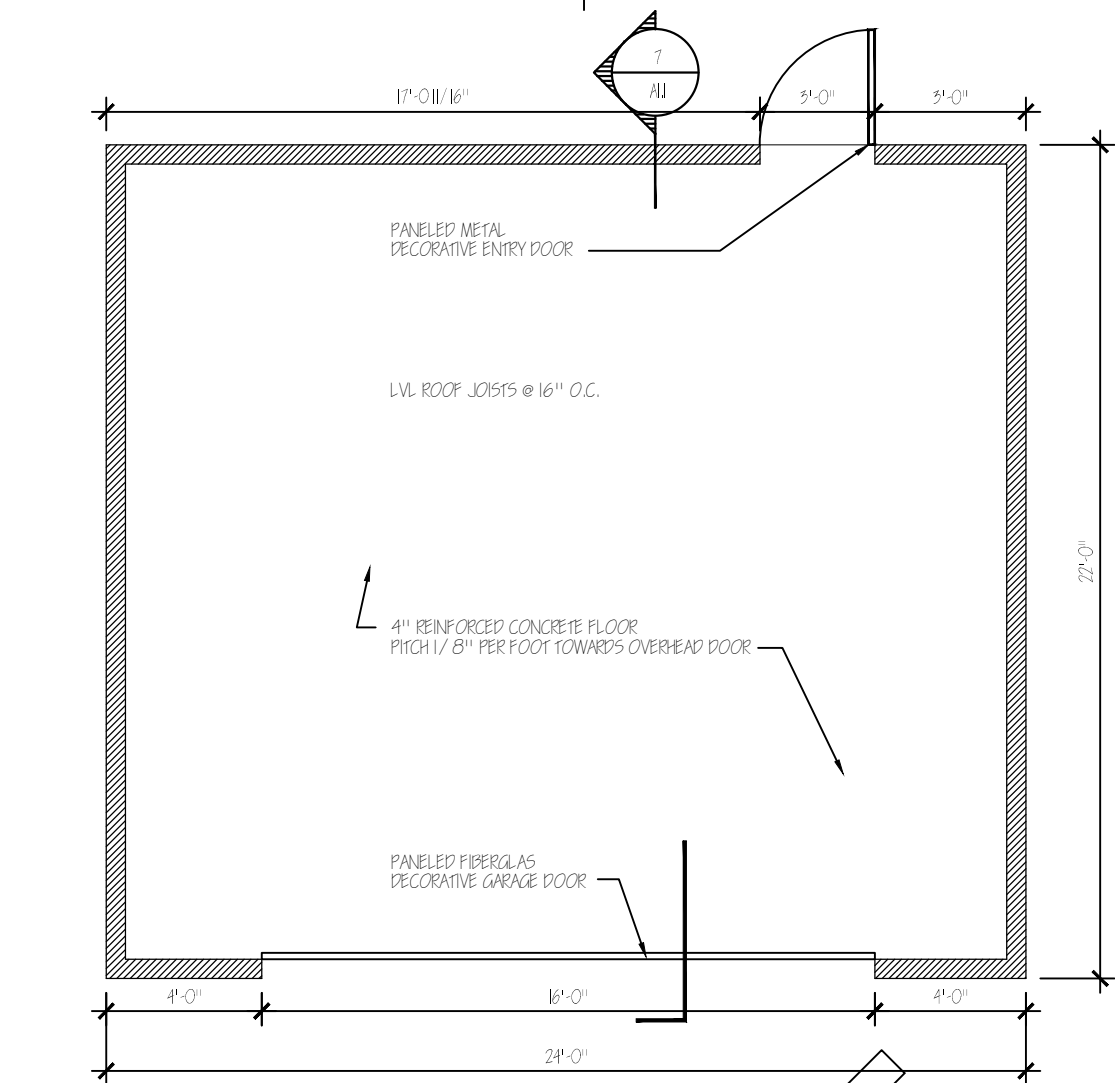


2 WEST ELEVATION
SCALE: 1/4" = 1'-0"

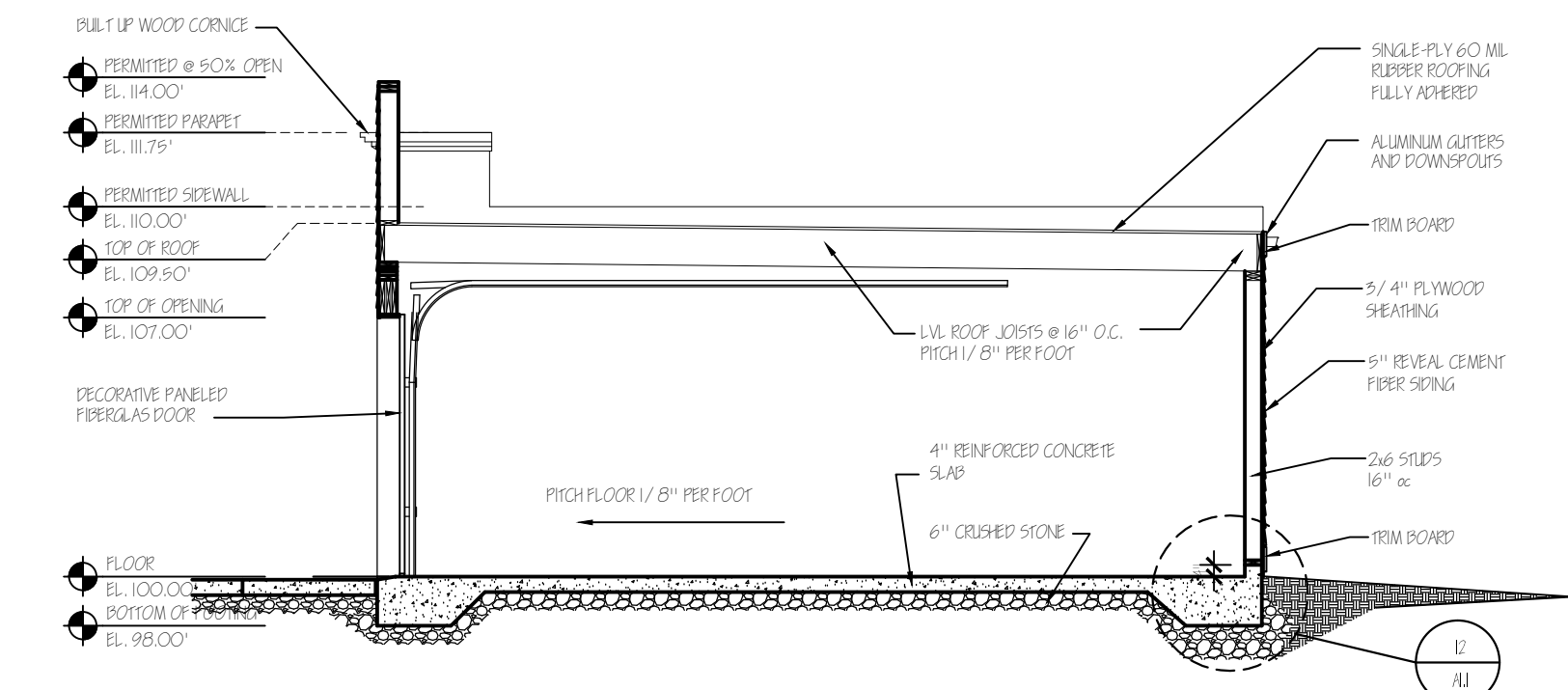
3 EAST ELEVATION
SCALE: 1/4" = 1'-0"

4 NORTH ELEVATION
SCALE: 1/4" = 1'-0"

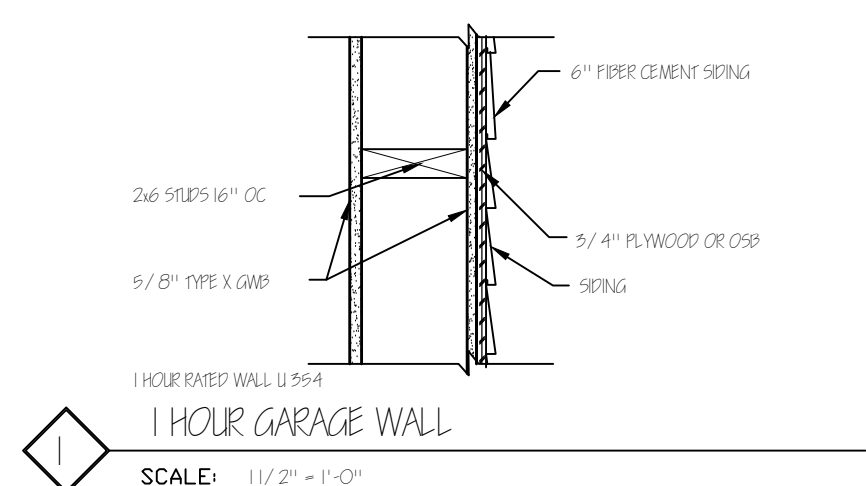
5 SOUTH ELEVATION
SCALE: 1/4" = 1'-0"



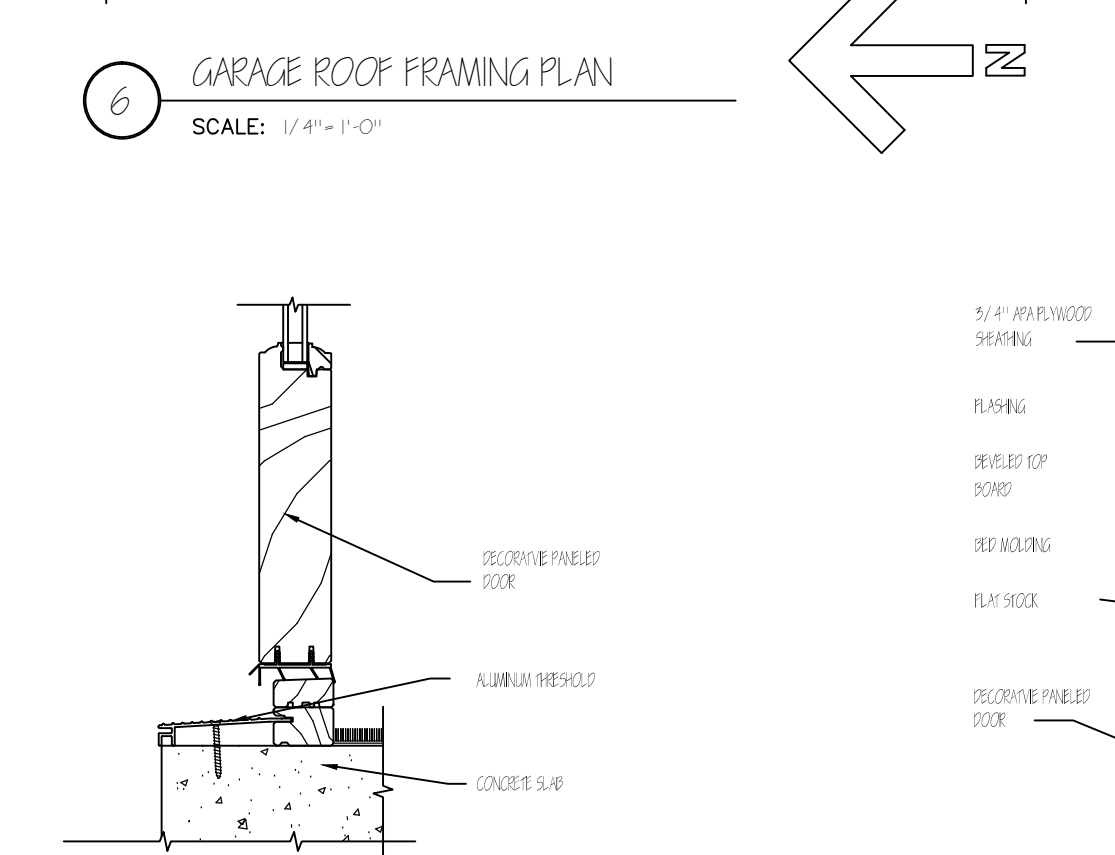
6 GARAGE ROOF FRAMING PLAN
SCALE: 1/4" = 1'-0"



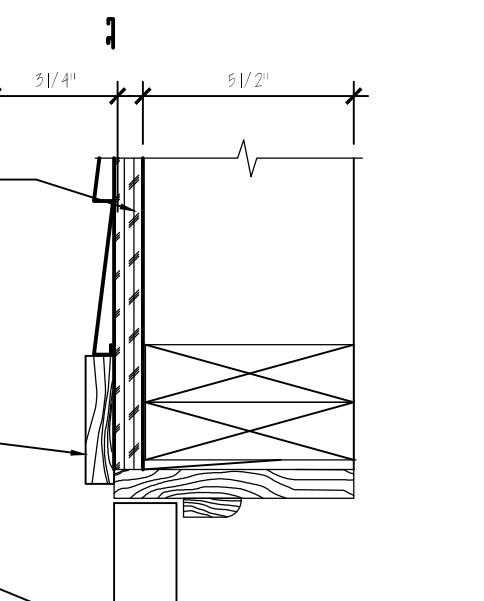
7 GARAGE SECTION CUT
SCALE: 1/4" = 1'-0"



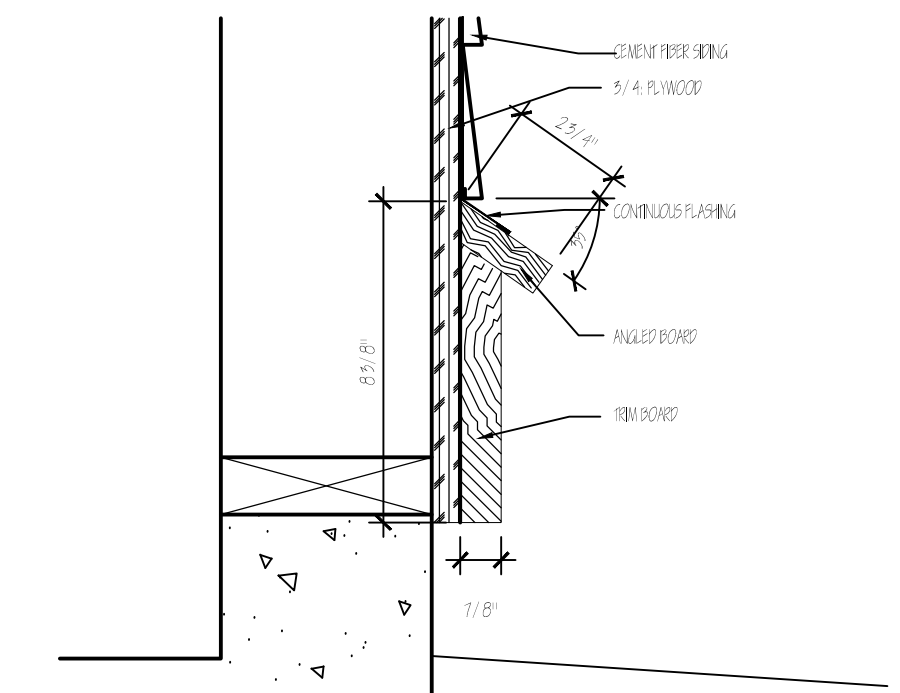
8 1 HOUR GARAGE WALL
SCALE: 1/2" = 1'-0"



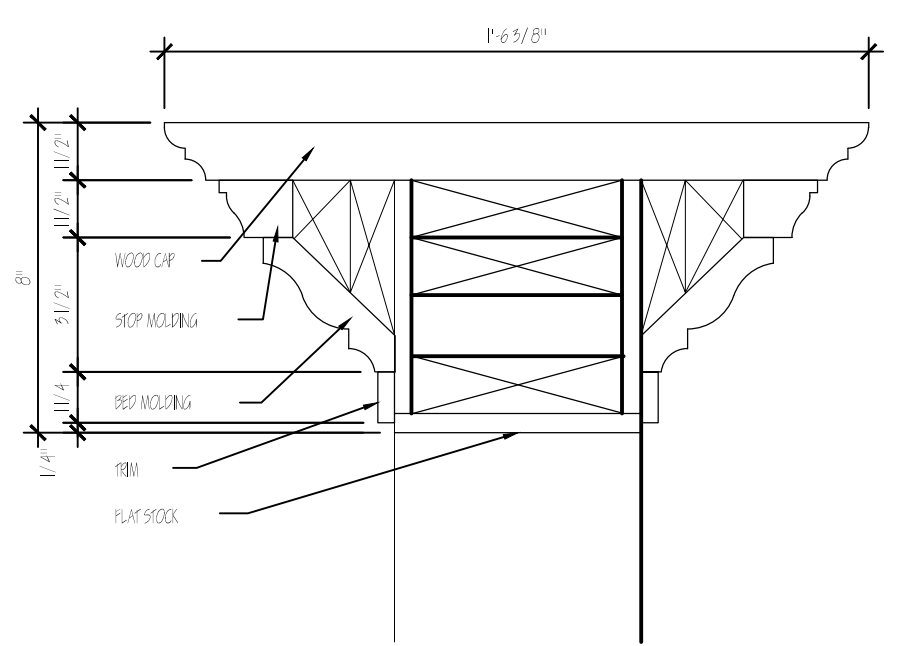
9 EXTERIOR DOOR SILL
SCALE: 3/4" = 1'-0"



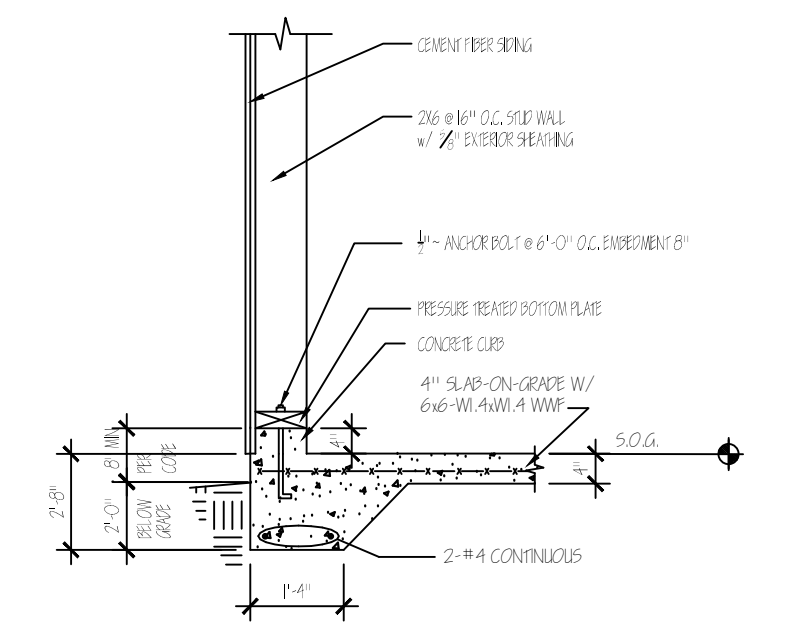
10 DOOR HEAD EXTERIOR
SCALE: 3/4" = 1'-0"



11 WATER TABLE DETAIL
SCALE: 3/4" = 1'-0"



12 PARAPET DETAIL
SCALE: 3/4" = 1'-0"



13 TYP GARAGE PTG SECT
SCALE: 1/2" = 1'-0"

ROBERTS GARAGE
1635 SOUTH 8TH STREET
MILWAUKEE, WI 53204

SchultzWerk
Architecture, Inc.
2515 NORTH 66TH STREET
WAUWATOSA, WI 53213
414.778.1187
swerk@juno.com

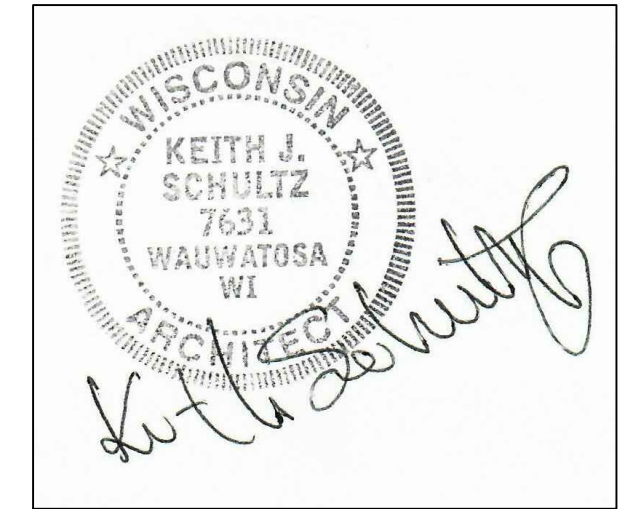
ARCHITECT:
KEITH SCHULTZ, ALA



REVISIONS

PROJECT NO. 21009.00
DATE 04/13/2021
DRAWN BY K.J.S. DAO
CHECKED BY K.J.S. KJS

SHEET CONTENTS
PLANS, ELEVATIONS
AND DETAILS



SHEET
A1.1
1 OF 1