



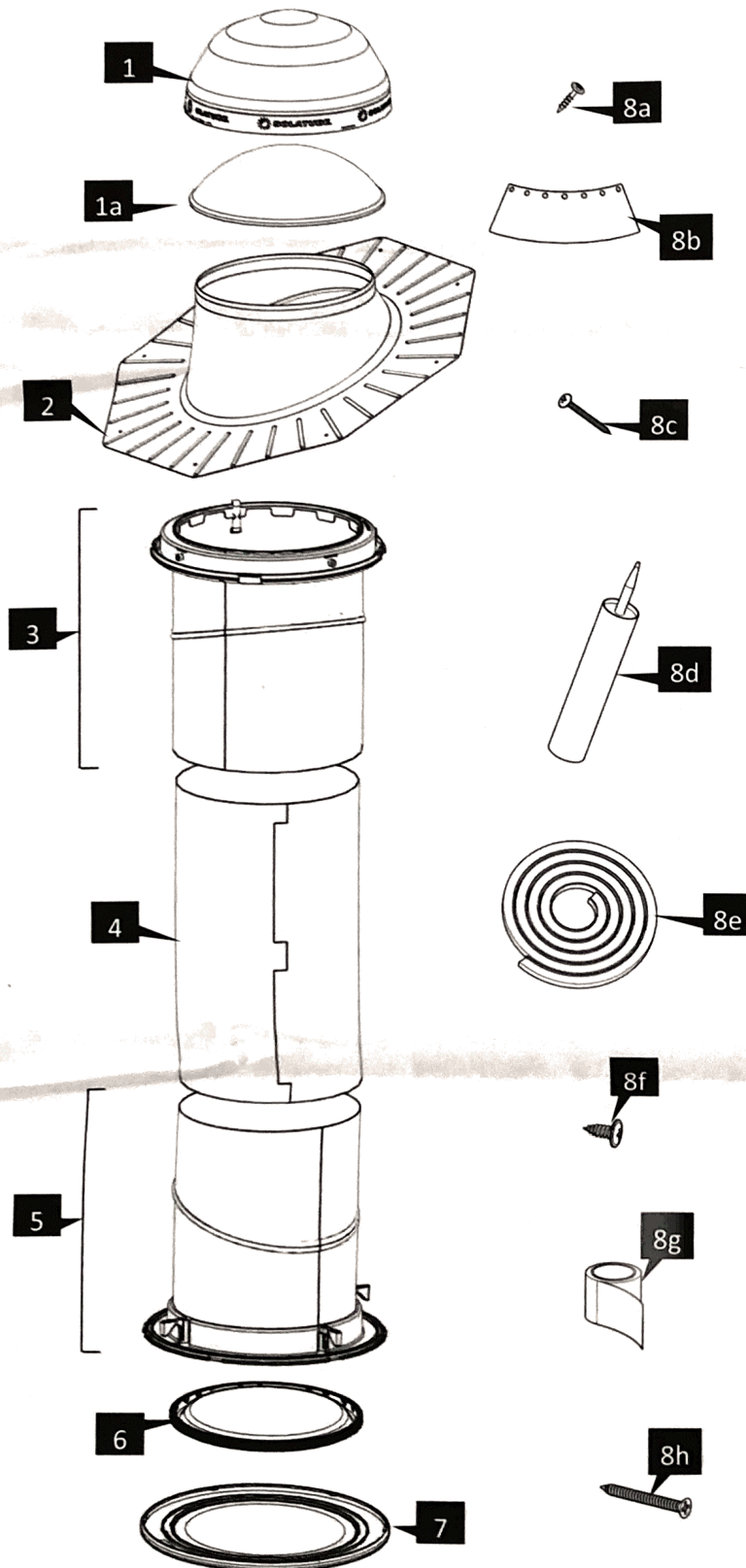
**SOLATUBE.**  
Innovation in Daylighting.

# Solatube® Brighten Up® Series

Solatube® 160 DS Daylighting System

Solatube® 290 DS Daylighting System

## Installation Instructions



Parts List *		Quantity
1	Dome with Raybender® 3000 Technology	(1)
	a. Shock Inner Dome**	
2	Roof Flashing (pitched or no pitch)	(1)
3	Top Tube Assembly including: Dome Ring, Dome Ring Seal, Spectralight® Infinity Top Tube with Angle Adapter.	(1)
4	Spectralight® Infinity 16 in (400 mm) Extension Tube (not included in some kits, see label on box)	(2)
5	Bottom Tube Assembly including: Spectralight® Infinity Bottom Tube with Angle Adapter, Ceiling Ring	(1)
6	Effect Lens	(1)
7	Diffuser	(1)
8	Seal and Fasteners	
	a. Dome Ring Screws - #8 X 1.25 in (32 mm)	(5)
	b. LightTracker™ Reflector	(1)
	c. Flashing Screws - #10 X 2 in (51 mm)	(8)
	d. Roof Sealant	(1)
	e. Expansion Joint Seal	(1)
	f. Tube Screws - #8 X 9/16 in (14 mm)	(10)
	g. Foil Tape - 2 in (51 mm) X 18 ft (5.5 m) roll	(1)
h. Drywall Screws - #6 X 1 5/8 in (40 mm)	(4)	

### Required Tools:

Keyhole Saw
Saber or Reciprocating Saw
Hammer
Flat Bar
Utility Knife
Tape Measure
Caulking Gun
Screw Gun with Phillips Head
Lumber Crayon
Magnetic Compass
Required Safety Equipment

\*Components shown not included in all kits, see label on box.

\*\*High Velocity Hurricane Zones: Shock Inner Dome must be installed with dome. To meet HVHZ requirements, use a six inch no pitch flashing or a pitched flashing with a four inch turret extension.

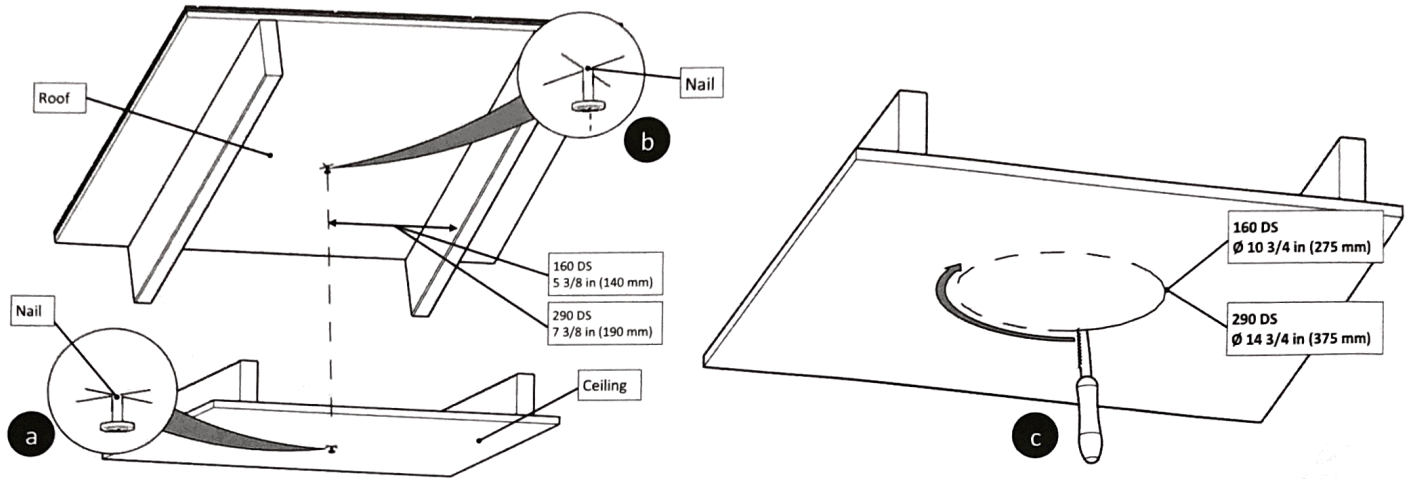
For the most current Installation Instructions, please visit [www.solatube.com/instructions](http://www.solatube.com/instructions)

Solatube International, Inc. | 2210 Oak Ridge Way | Vista, CA 92081-8341 | [www.solatube.com](http://www.solatube.com) | T: 888.SOLATUBE

1

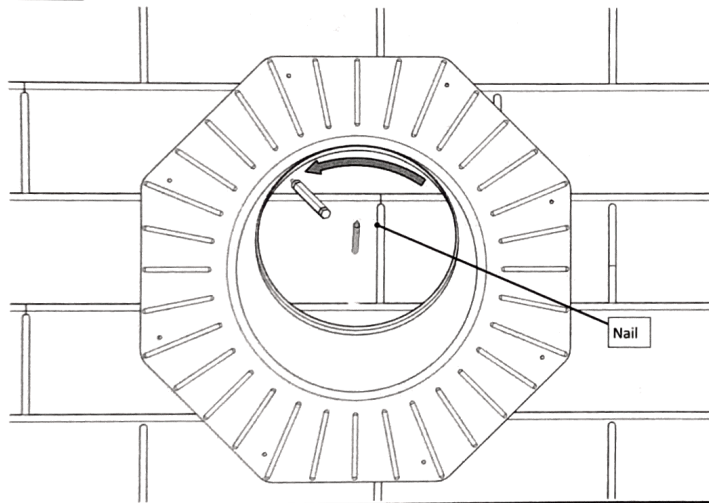
Mark Ceiling and Roof Location Between Joists and Rafters Using Nails. Cut Ceiling Hole.

Minimum clearance of 5 3/8 in (140 mm) for 160 DS and 7 3/8 in (190 mm) for 290 DS between nail hole center and joist.



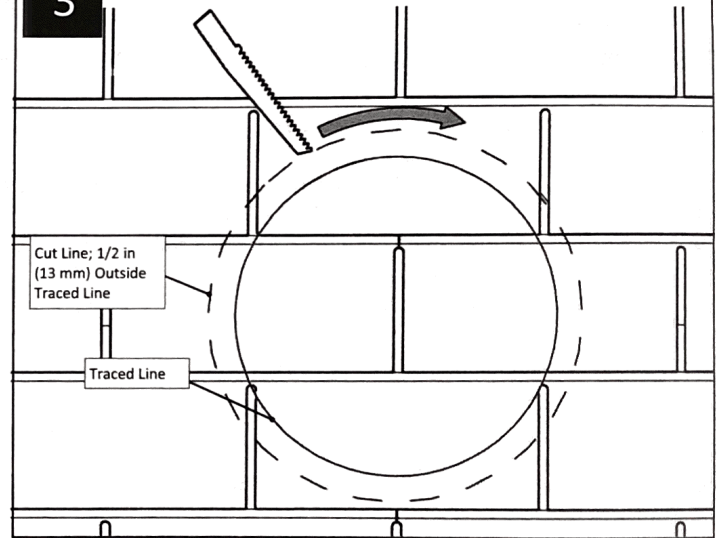
2

Center on Nail and Trace Inside Flashing Base



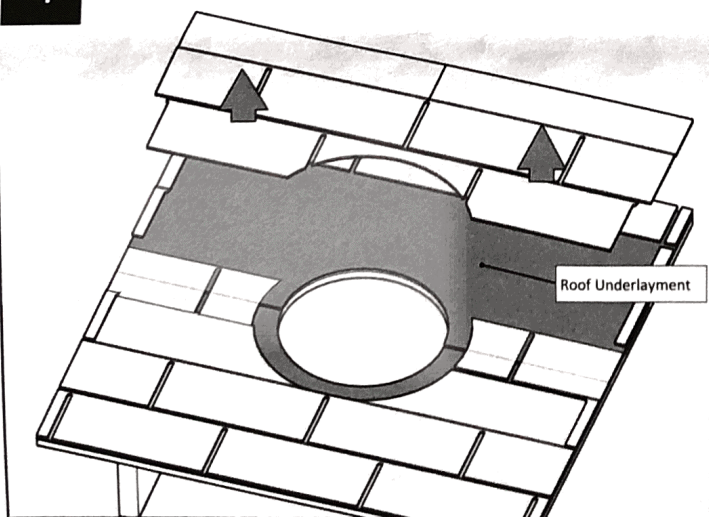
3

Cut Roof Opening



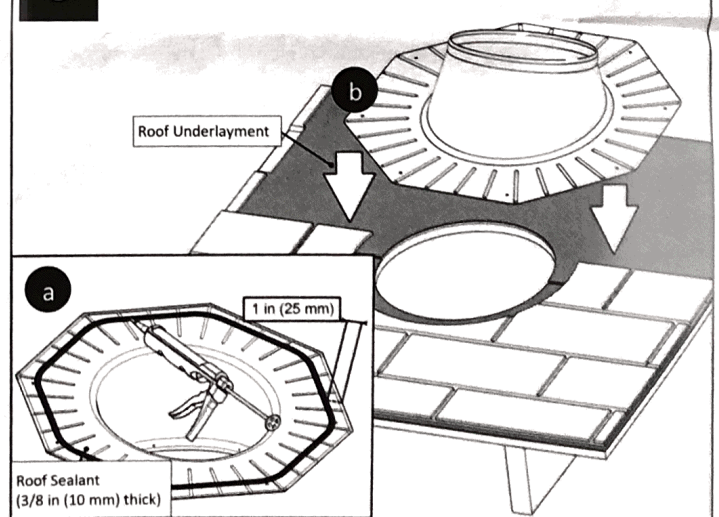
4

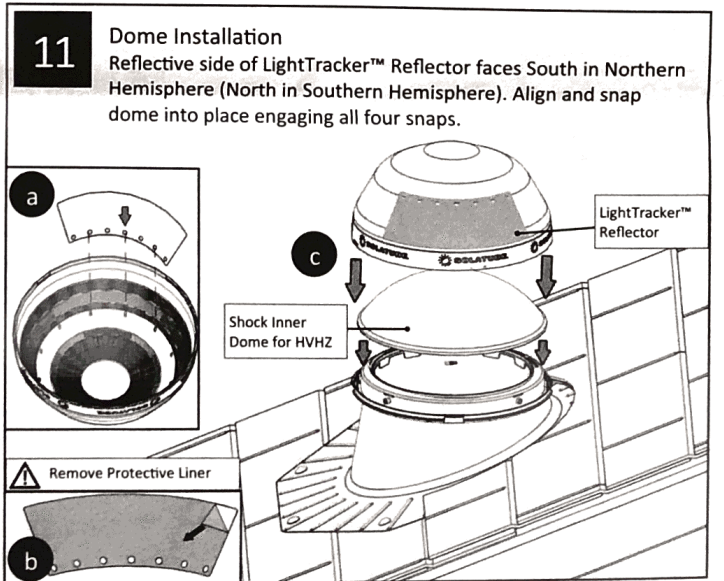
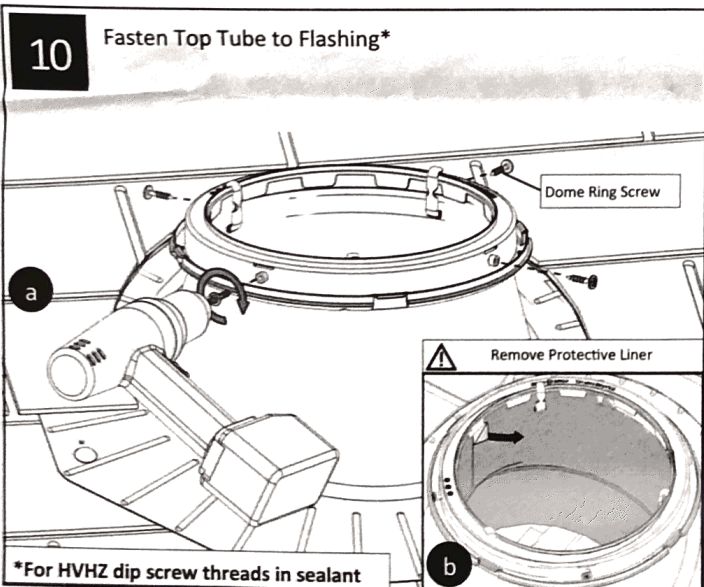
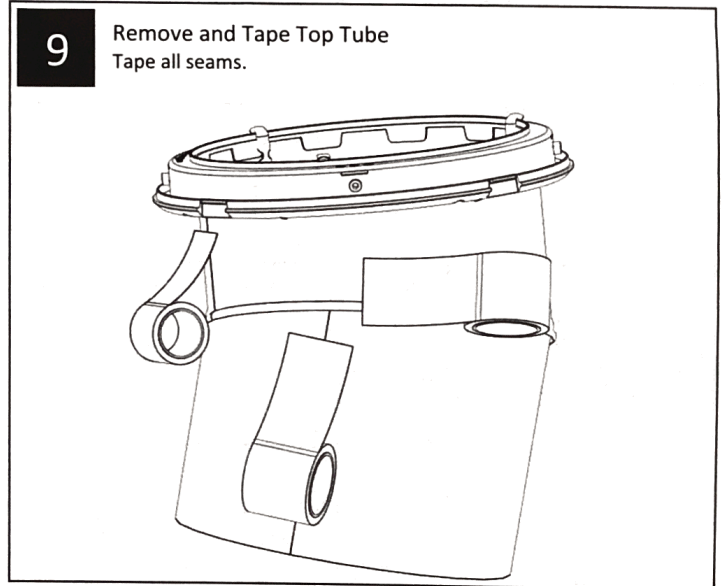
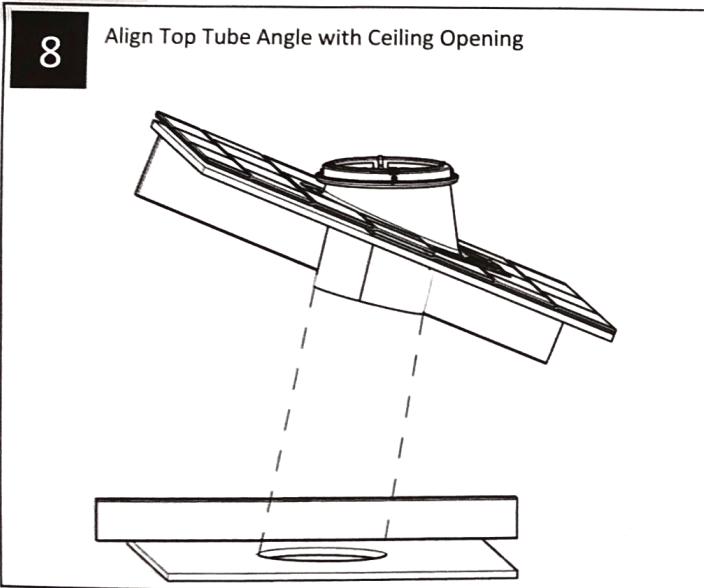
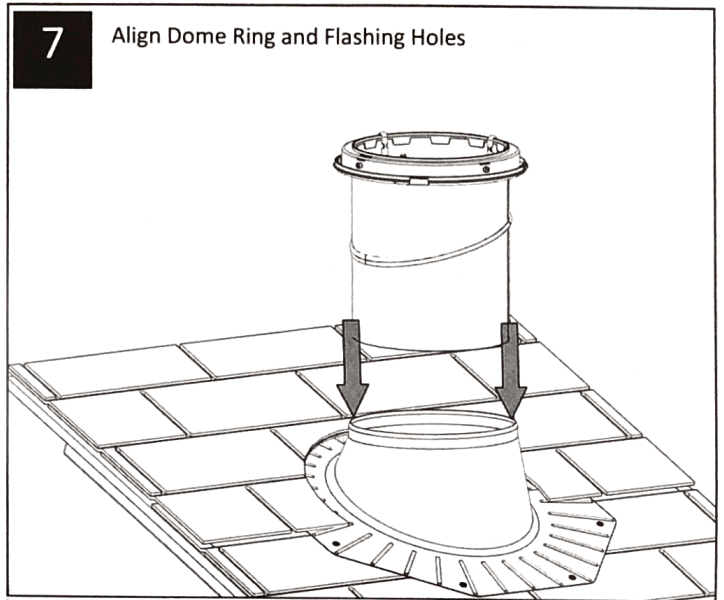
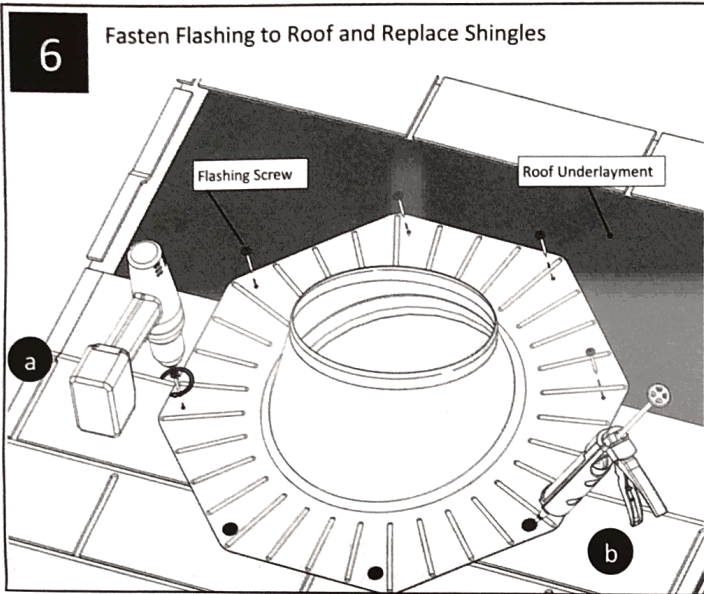
Remove Roof Shingles



5

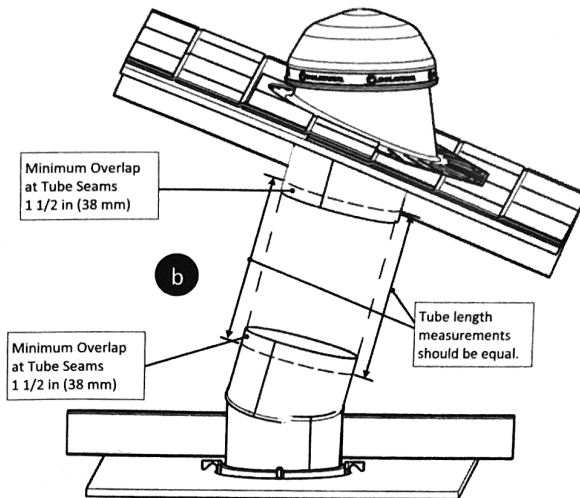
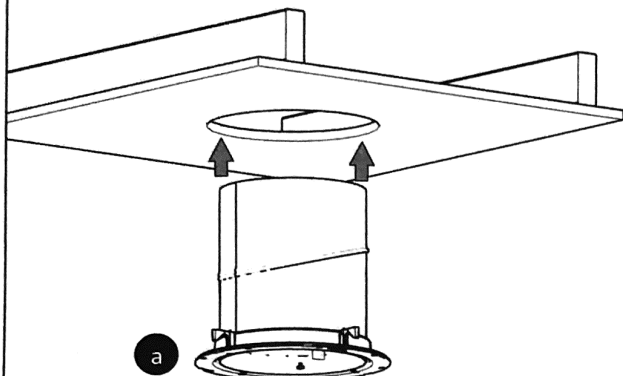
Set Flashing





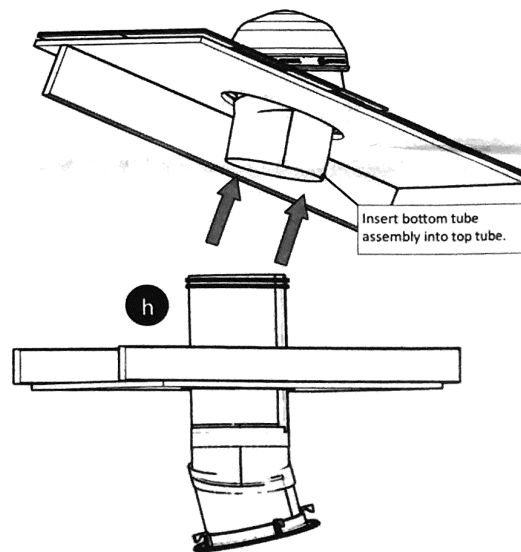
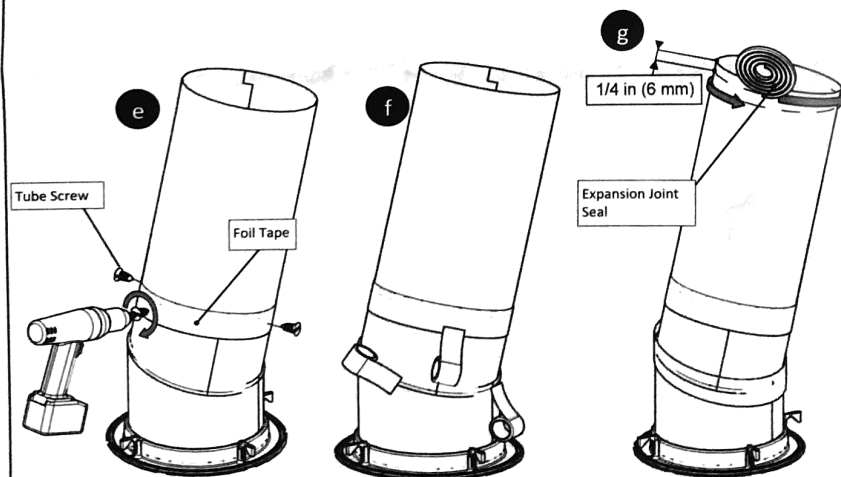
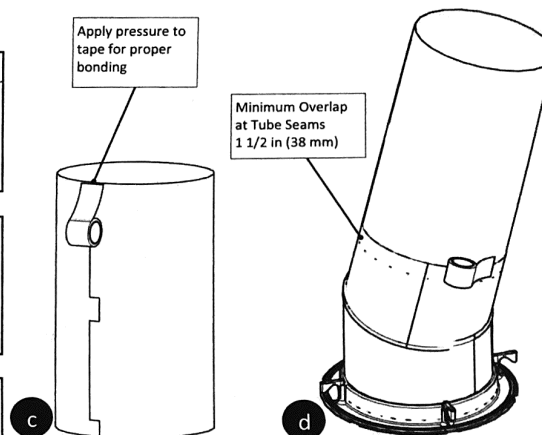
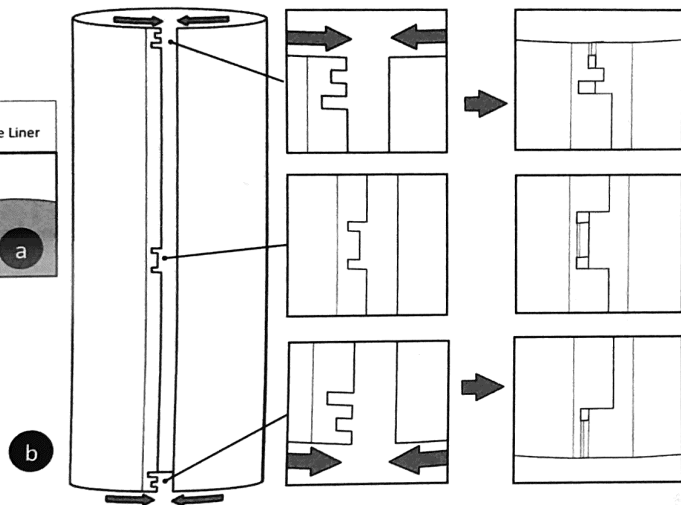
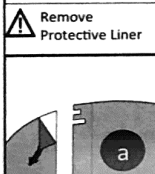
12

Insert Bottom Tube  
Align and measure tube run.



13

Assemble and Install Tube Run  
Use notches to create a tapered tube.

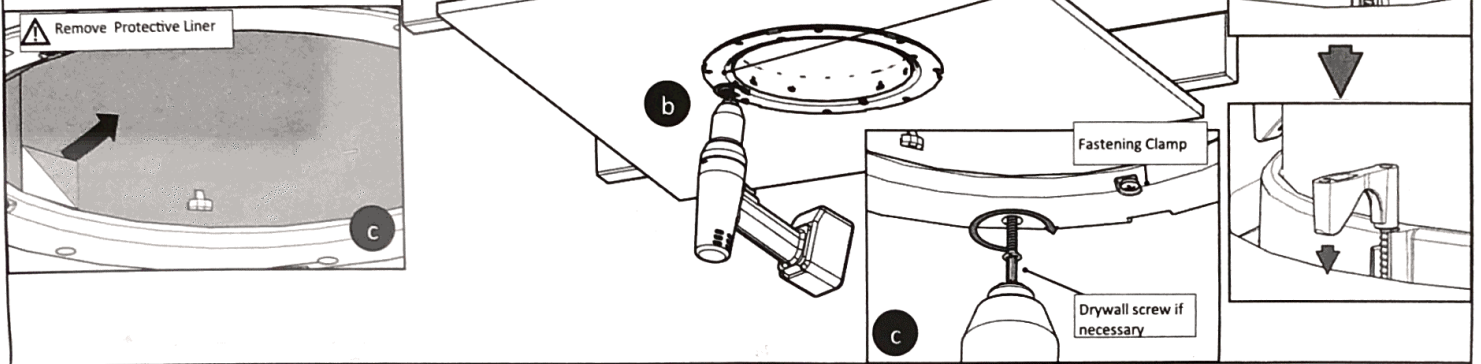


Apply foil tap to all seams and joints.

14

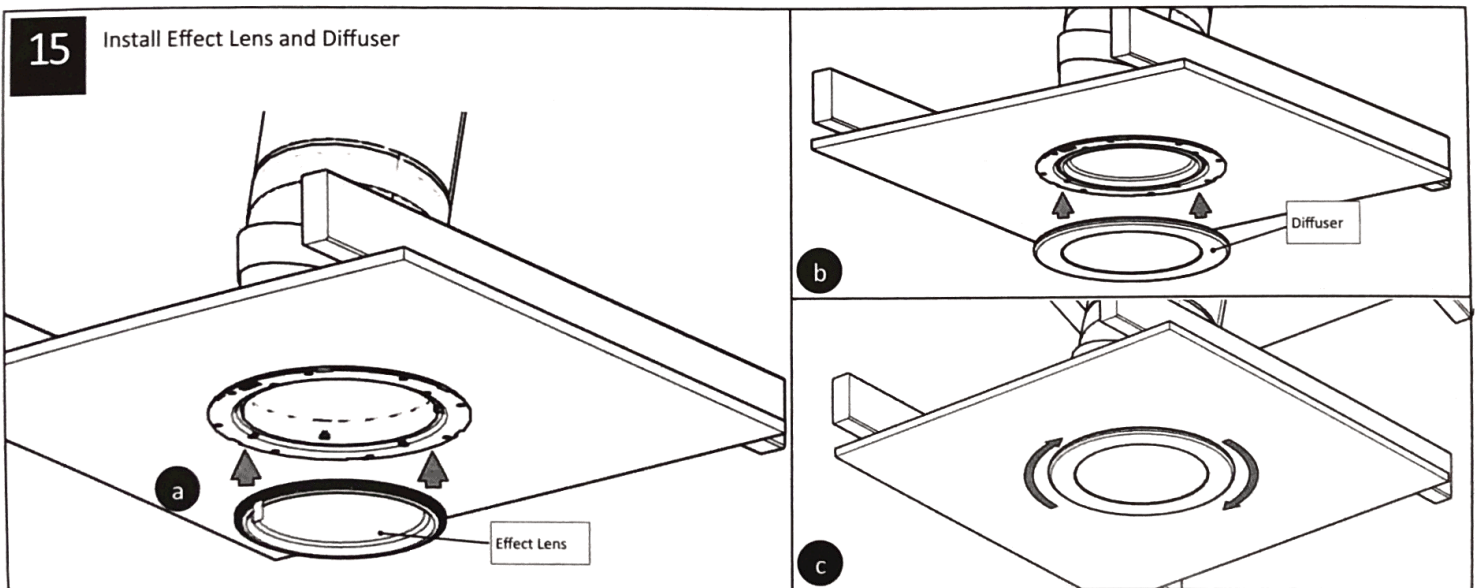
Fasten to Ceiling

Use drywall screws if fastening clamps do not engage ceiling.



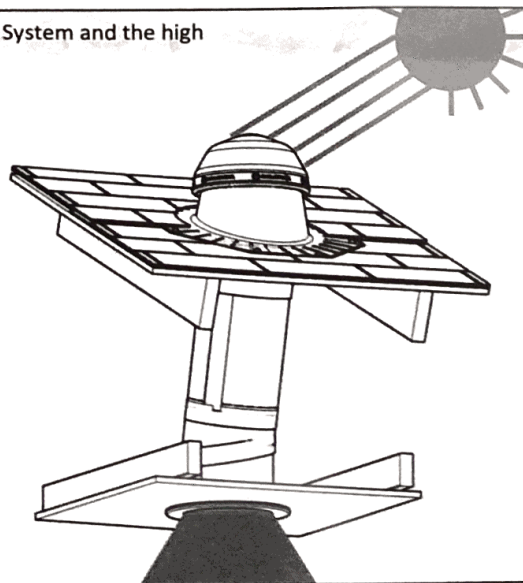
15

Install Effect Lens and Diffuser



16

Now you can enjoy the benefits of your Solatube Daylighting System and the high performance, natural lighting it provides.

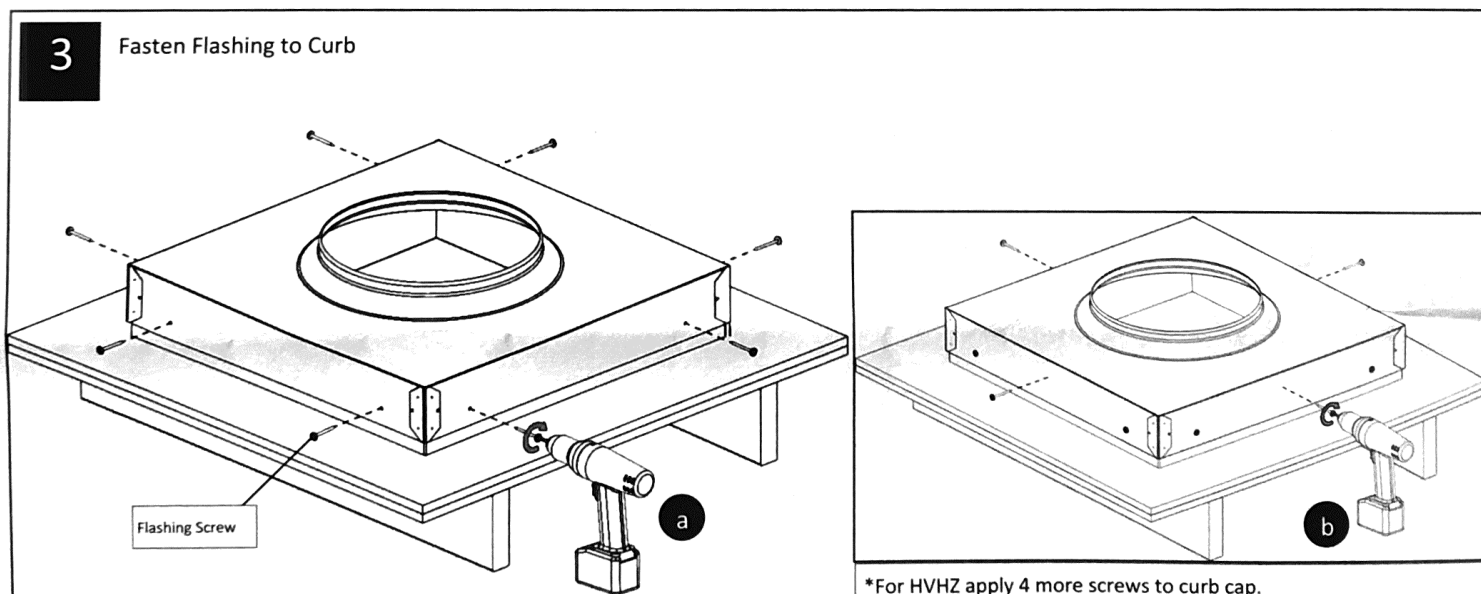
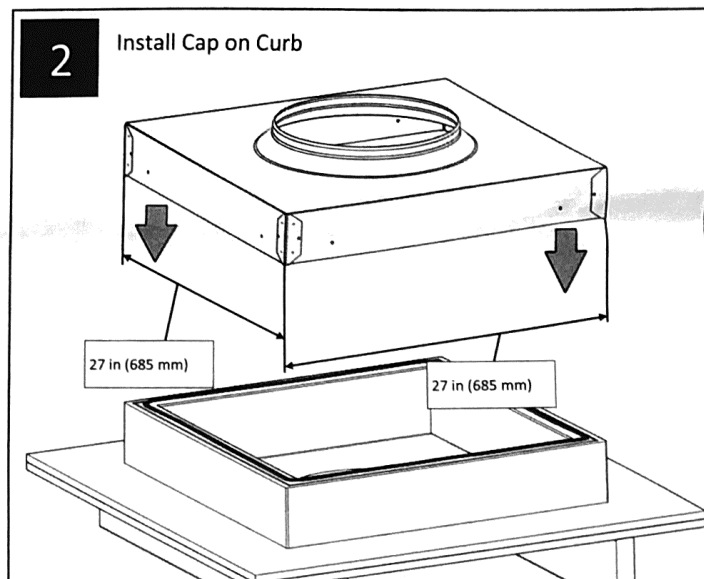
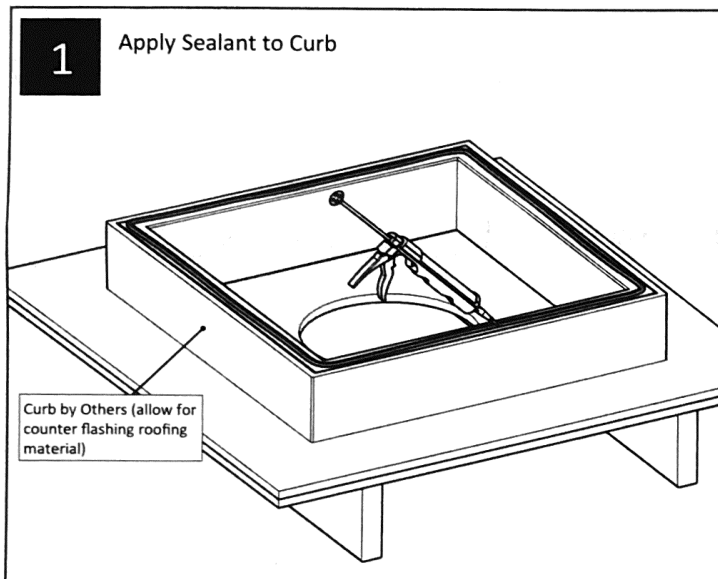


Please refer to the following section for a list of alternative flashings and accessories.

# Curb Mounted Flashing Installation Instructions Appendix

Parts List	Quantity
1 290 DS (14 in/350 mm) Curb Mounted Flashing (Inside Dimension 27 in (685 mm) X 27 in (685 mm))	(1)

Additional Materials and Tools	Quantity
1 Roof Sealant	(1)
2 Flashing Screws #10 X 2 in (50 mm)	(8)

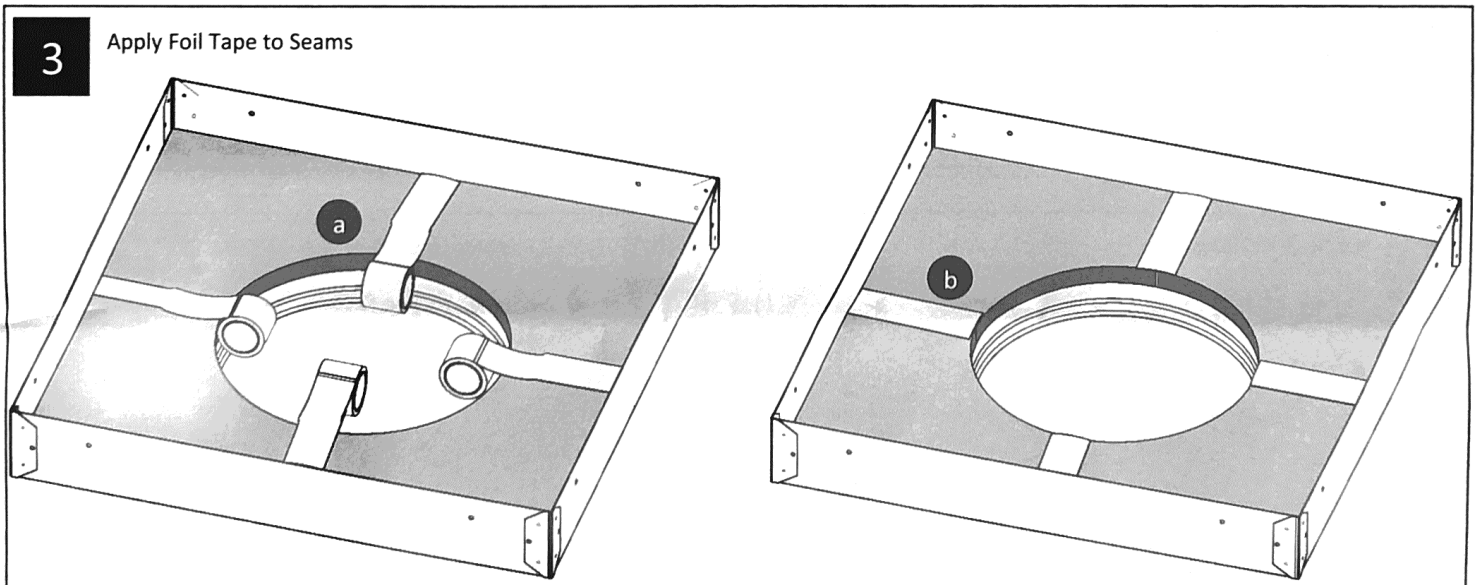
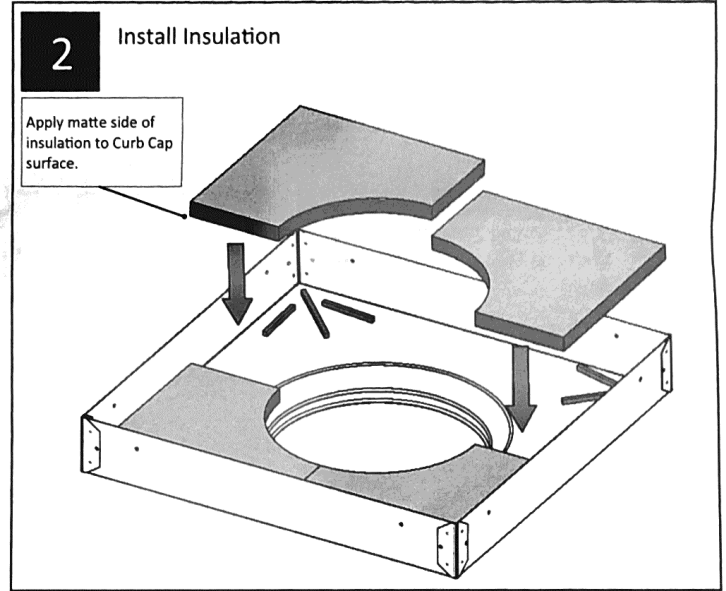
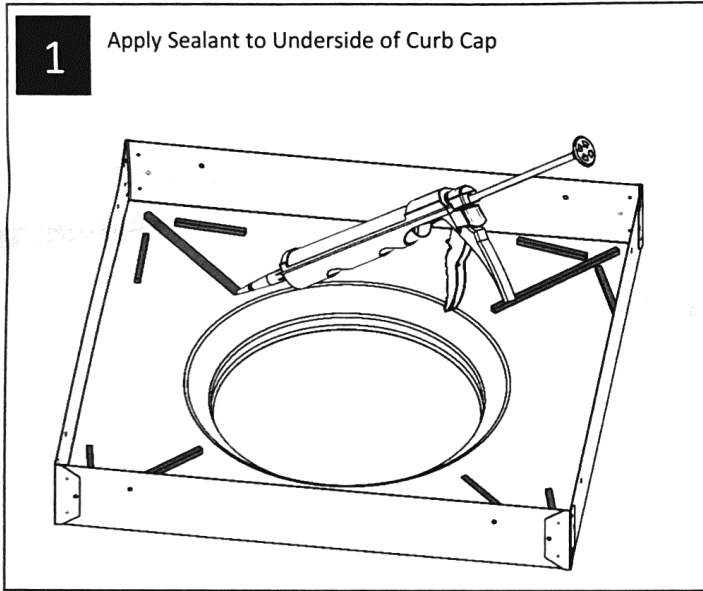


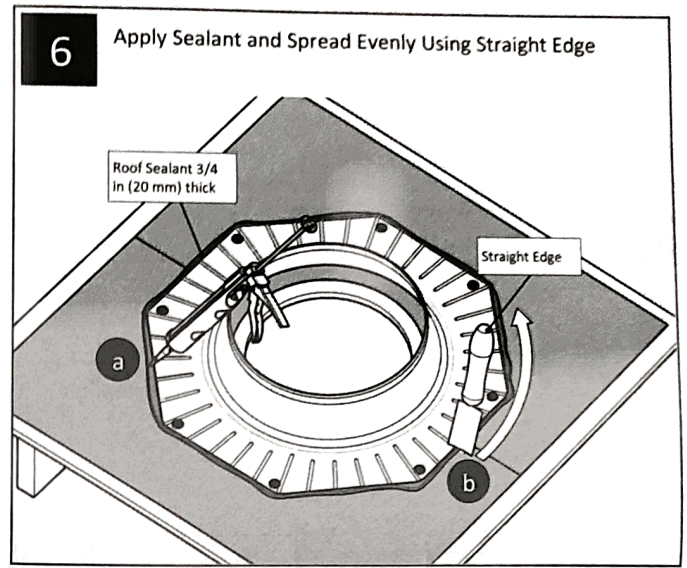
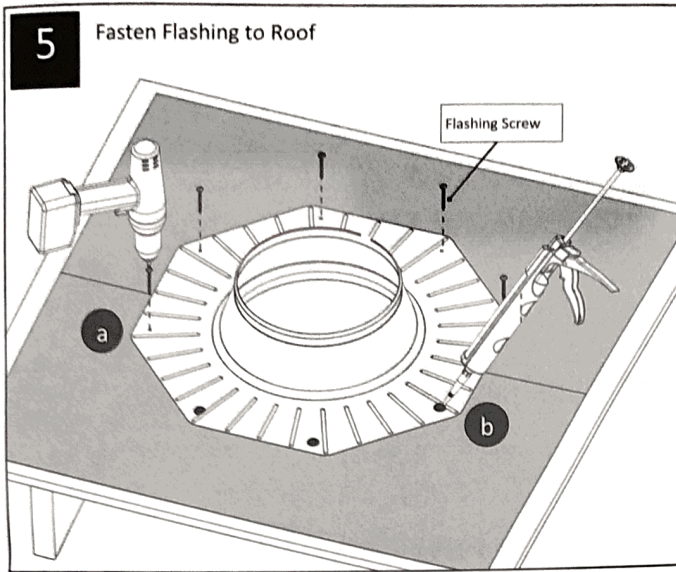
# Curb Cap Flashing Insulation

## Installation Instructions Appendix

Parts List		Quantity
1	290 DS (14 in/350 mm) Curb Insulation	(4)

Additional Materials and Tools		Quantity
1	Roof Sealant	(1)
2	Foil Tape	(1)



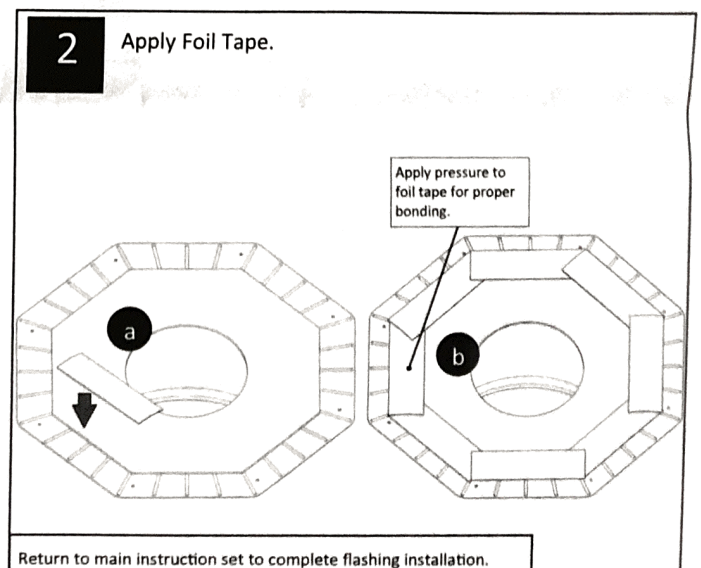
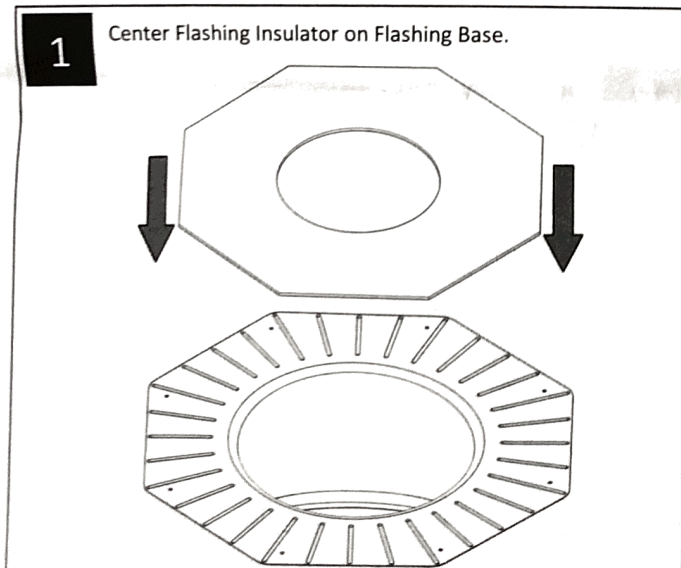


## Flashing Insulator Installation Instructions Appendix

Parts List		Quantity
1	Flashing Insulator	(1)
2	Foil Tape	(8)

Warning: Do not expose Flashing Insulator to direct flame.

Additional Materials and Tools		Quantity
1	None	

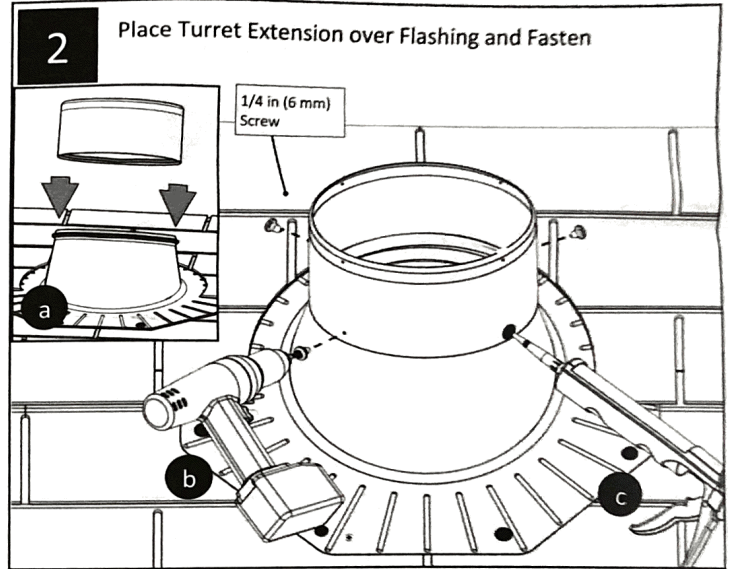
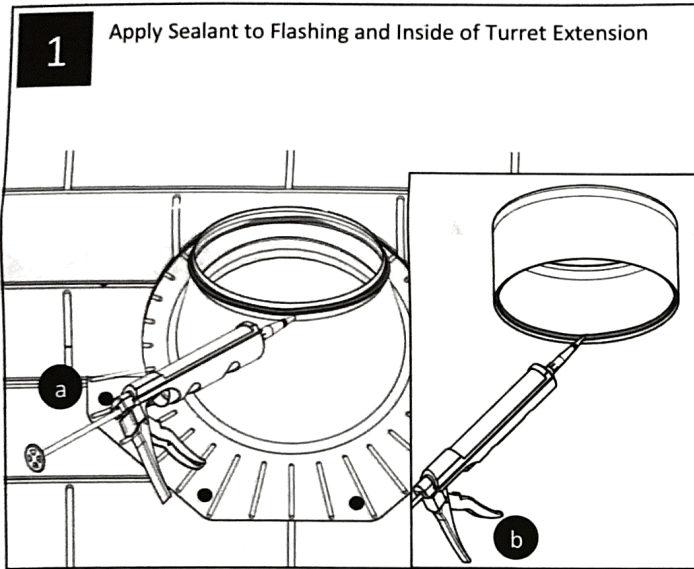




# Turret Extension Installation Instructions Appendix

Parts List		Quantity
1	Turret Extension 2 in (50 mm) or 4 in (100 mm)	(1)
2	1/4 in (6 mm) screws	(4)

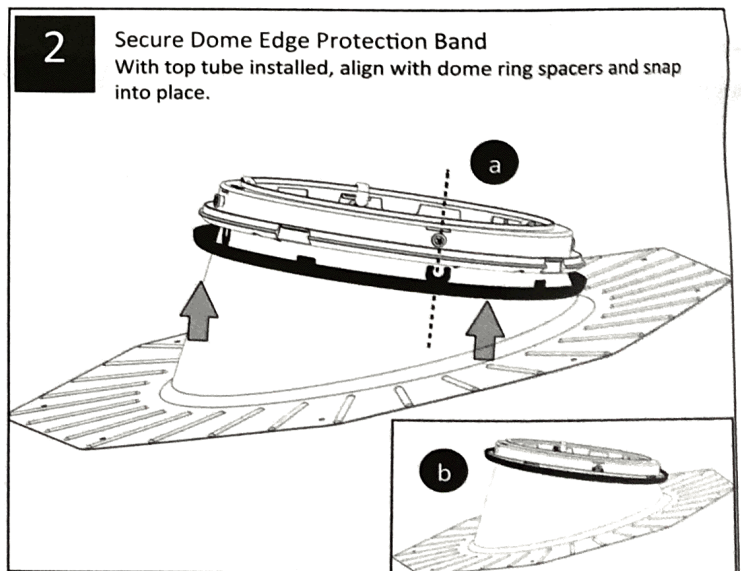
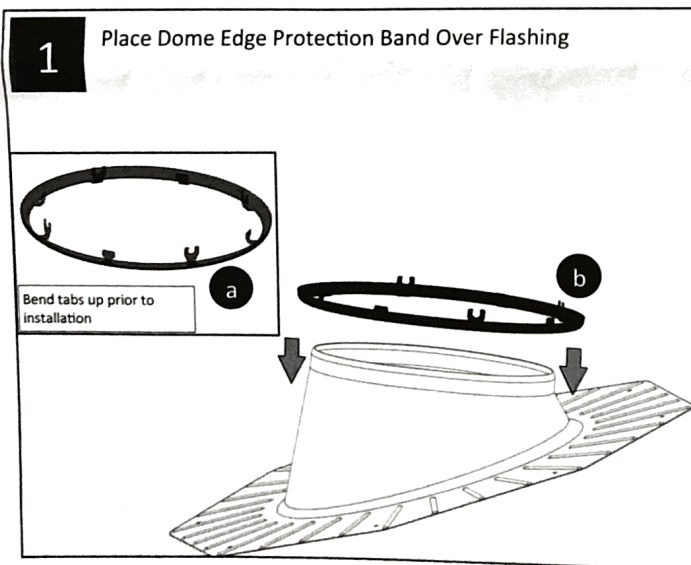
Additional Materials and Tools		Quantity
1	Roof Sealant	(1)



# Dome Edge Protection Band Installation Instructions Appendix

Parts List		Quantity
1	Dome Edge Protection Band	(1)

Additional Materials and Tools		Quantity
1	None	



# 0-90 Degree Extension Tube Installation Instructions Appendix

Parts List		Quantity
1	0-90 Degree Extension Tube	(1)
2	Tube Screws - #8 X 3/4 in (10 mm)	(4)
3	Foil Tape - 2 in (51 mm) X 6 ft (2 m)	(4)

Additional Materials and Tools		Quantity
1	None	

**1 Install 0-90 Degree Extension Tube**  
 Install only between the top tube and an extension tube or two extension tubes.

Minimum overlap at tube seams  
1 1/2 in (38 mm)

Foil Tape

Apply pressure to tape for proper bonding

Tube Screw

Additional structural support may be required for horizontal tube runs. Consult local building code.