



LIVING WITH HISTORY

Certificate of Appropriateness

Milwaukee Historic Preservation Commission/200 E. Wells Street/Milwaukee, WI 53202/phone 414-286-5712/fax 414-286-3004

Property 1701 N. HUMBOLDT AV. Brady Street HD
Description of work Two signs per attached documents. This document serves as HPC's endorsement of any variance needed to place the signs in the locations proposed.
Date issued 2/7/2019 PTS ID 114684 COA: 2 signs

In accordance with the provisions of Section 320-21 (11) and (12) of the Milwaukee Code of Ordinances, the Milwaukee Historic Preservation Commission has issued a certificate of appropriateness for the work listed above. The work was found to be consistent with preservation guidelines. The following conditions apply to this certificate of appropriateness:

SEE 4 ATTACHED 11X17 PAGES WITH DIGITAL "APPROVED" STAMP.

All work must be done in a craftsman-like manner, and must be completed within one year of the date this certificate was issued. Staff must approve any changes or additions to this certificate before work begins. Work that is not completed in accordance with this certificate may be subject to correction orders or citations. If you require technical assistance, please contact Historic Preservation staff as follows: Phone: (414) 286-5712 E-mail: HPC@milwaukee.gov.

If permits are required, you are responsible for obtaining them from the Milwaukee Development Center. If you have questions about permit requirements, please consult the Development Center's web site, www.milwaukee.gov/build, or call (414) 286-8210.

City of Milwaukee Historic Preservation Staff

Copies to: Development Center, Ald. Nik Kovac, Contractor

Face-Lit Channel Letters, Face-Lit Channel Border and FCO Alum Tagline - (19 Sq Ft)

(1) Req'd

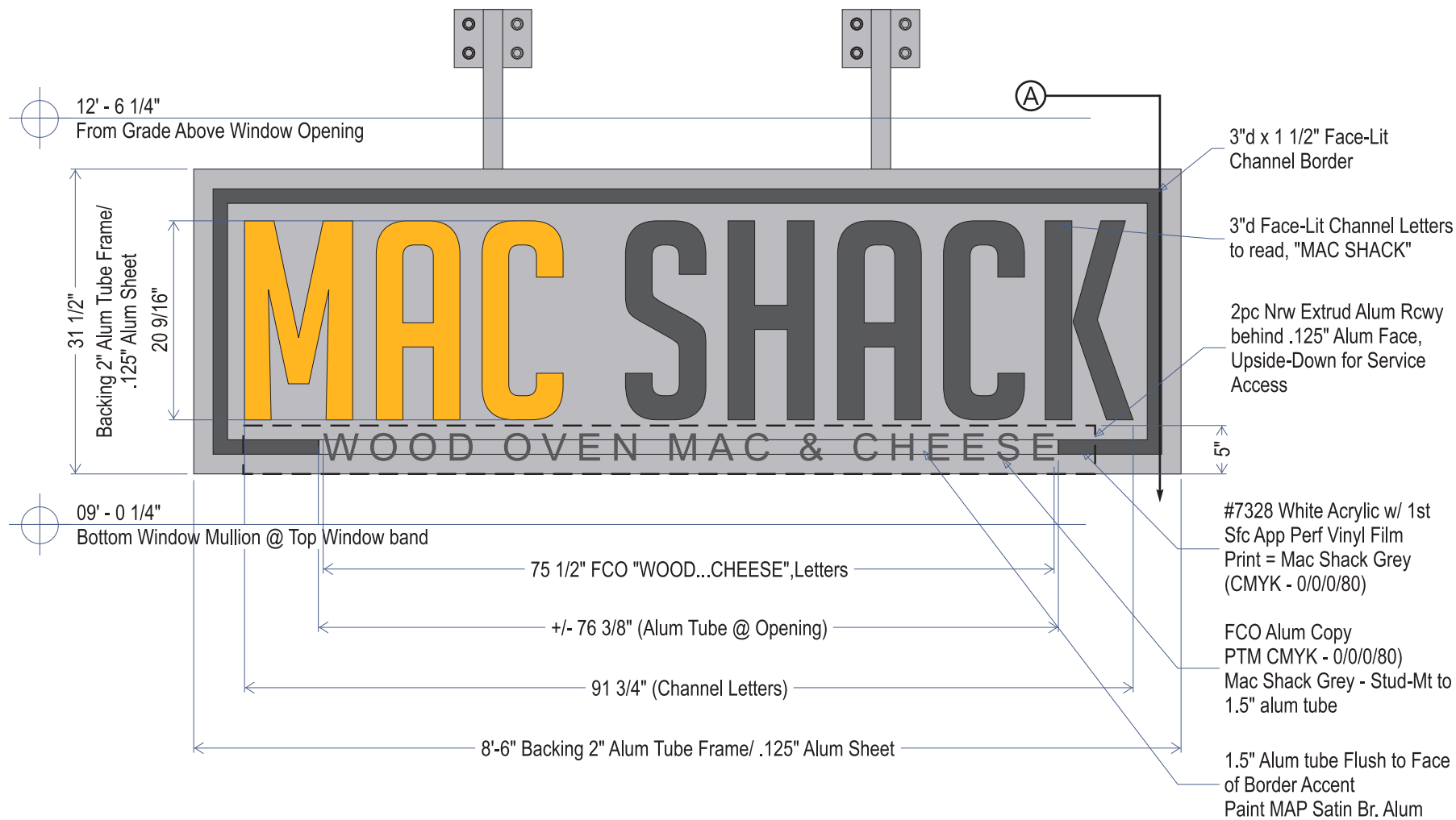
3/4" = 1' - 0" Scale

Channel Letters: Fabricate and Install (1) Set of 3"d Face-Lit Channel Letters to read "MAC SHACK" to Extruded Alum Raceway painted to match MAP Satin Br. Alum, (1) Set of 3"d Channel Border w/ Alum tube fastened to returns at opening for mounting FCO Letters. Sign to be placed centered to window opening on West Elevation/ Humbolt. 120V Primary Electrical Connection to Existing Power and Hook-up by Locally Licensed Electrician.

- Letters: 3"d Prefin Black Alum Returns
- Border: 3"d Prefin Black Alum Returns
- Backer: Prefin White Alum
- Faces: .118" #7328 White Acrylic
- Trim Cap: 1" Black Jewelite
- FCO: .125" thk Routed Alum
- LEDs: White Qwik Mod 2 7100K
- Power Supplies: (2) 120/277V 60W BE Brite
- FCOs: 1/8" Routed Alum (mounted to 1.5" tube betw border opening)
- Support: 2" Alum Tube Frame w/ .125" Alum on Face to Mount Channel Letters/ Border
- Anchoring: Masonry Anchors

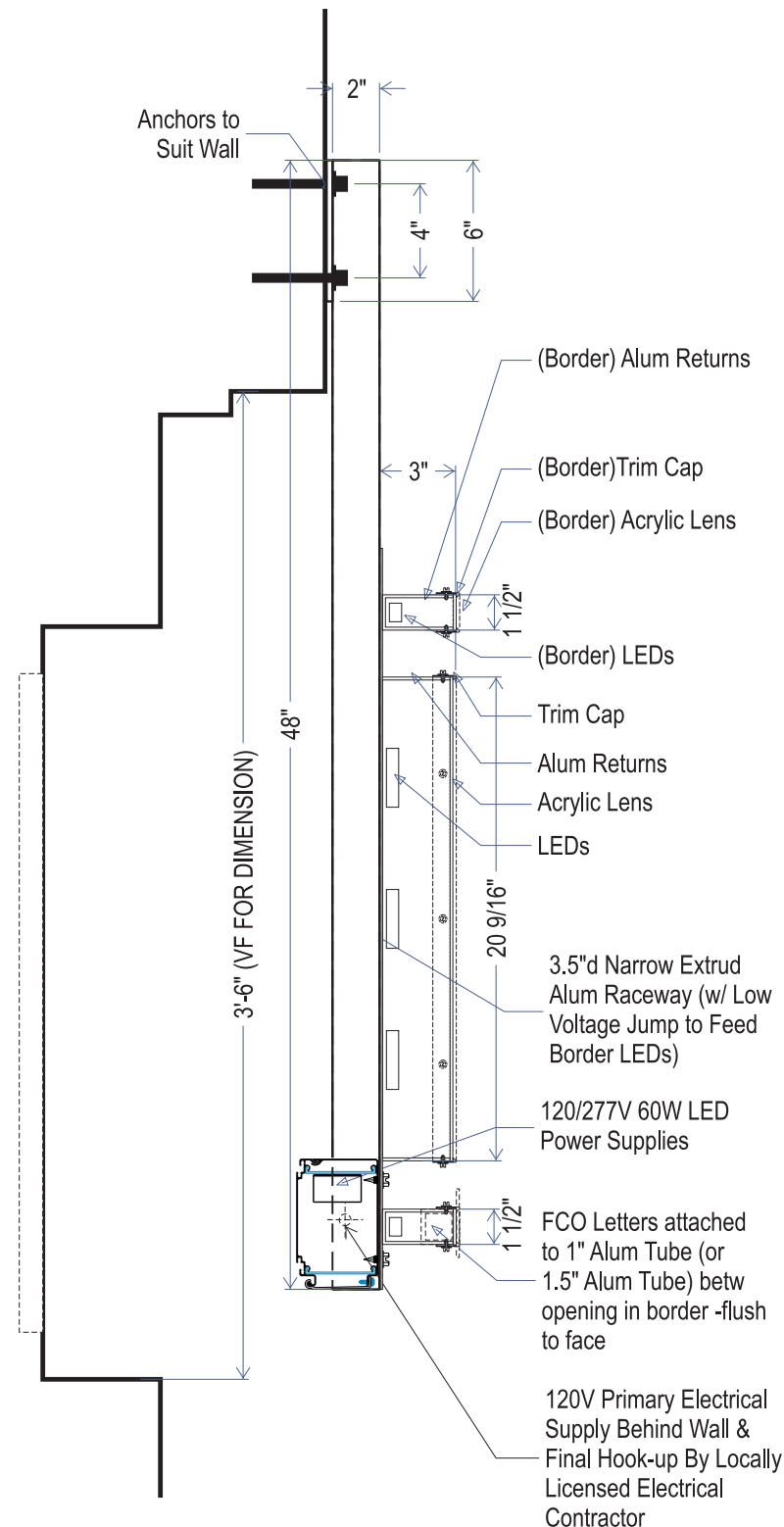
APPROVED

By Tim Askin-HPC at 11:40 am, Feb 07, 2019



Color Schedule:

- 3M 3630-125 'Golden Yellow' Translucent Vinyl Film (stock film closest to branding) 'Mac Shack Golden Yellow'
- MAP Satin Brushed Alum Painted Finish
- Perforated Opaque Vinyl Film Printed to Match CMYK 0/0/0/80, 'Mac Shack Grey'
- Paint Match CMYK 0/0/0/80, 'Mac Shack Grey'
- Prefinished Black Alum Returns/ Jewelite Trim Cap
- MAP Satin White Painted Finish



A) Face-Lit Channel Border - Side Detail
1 1/2" = 1' - 0" Scale

SignEffectz, IncTM

SIGN / LIGHTING

www.signeffectz.com

1827 W. GLENDALE AVE. MILWAUKEE, WI 53209
PH: 414.264.5504 FX: 414.264.5564



Project:
Mac Shack/
Brady St. Milwaukee

Description:
(1) Set 3"d Face-Lit Channel Letters
(1) 3" Face-Lit Channel Border
(1) Set of FCO Letters w/ Mounting Tube

Project Location:
1701 N Humboldt Ave,
Milwaukee, WI 53202, USA

Billing Location:
1701 N Humboldt Ave
Milwaukee, WI 53202, USA

PRODUCTION RELEASE

Sales Rep: JCB **Date:** 10/23/18
Design: AAE

Disclaimer:
THIS IS AN ORIGINAL DESIGN CREATED BY SIGN EFFECTZ. THE SUBMITTED DESIGN PROTECTED UNDER COPYRIGHT LAWS OF THE UNITED STATES CODE YOU AGREE NOT TO COPY PHOTOGRAPH MODIFY OR SHARE DIRECTLY OR INDIRECTLY ANY OF THE FOREGOING HELD BY YOU WITH ANY OTHER PARTY, NOR WILL YOU PERMIT ANY TIRDS PARTY TO DO ANY OF THE FOREGOING WITHOUT THE WRITTEN CONSENT OF SIGN EFFECTZ.

THIS SIGN IS INTENDED TO BE INSTALLED IN ACCORDANCE WITH THE REQUIREMENTS OF ARTICLE 600 OF THE NEC AND/OR OTHER APPLICABLE LOCAL CODES. THIS INCLUDES PROPER GROUNDING AND BONDING OF THE SIGN.

Notes
Re-designed to Follow Local Ordinance & Requirements

REVISIONS:

Rev A redesigned all to fit local code/ requirements	By AE	Date 01/16/19
Rev B "OVEN FRIED," To, "WOOD OVEN,,"	By AE	Date 01/29/19
Rev C -	By -	Date
Rev D -	By -	Date
Rev E -	By -	Date
Rev F -	By -	Date

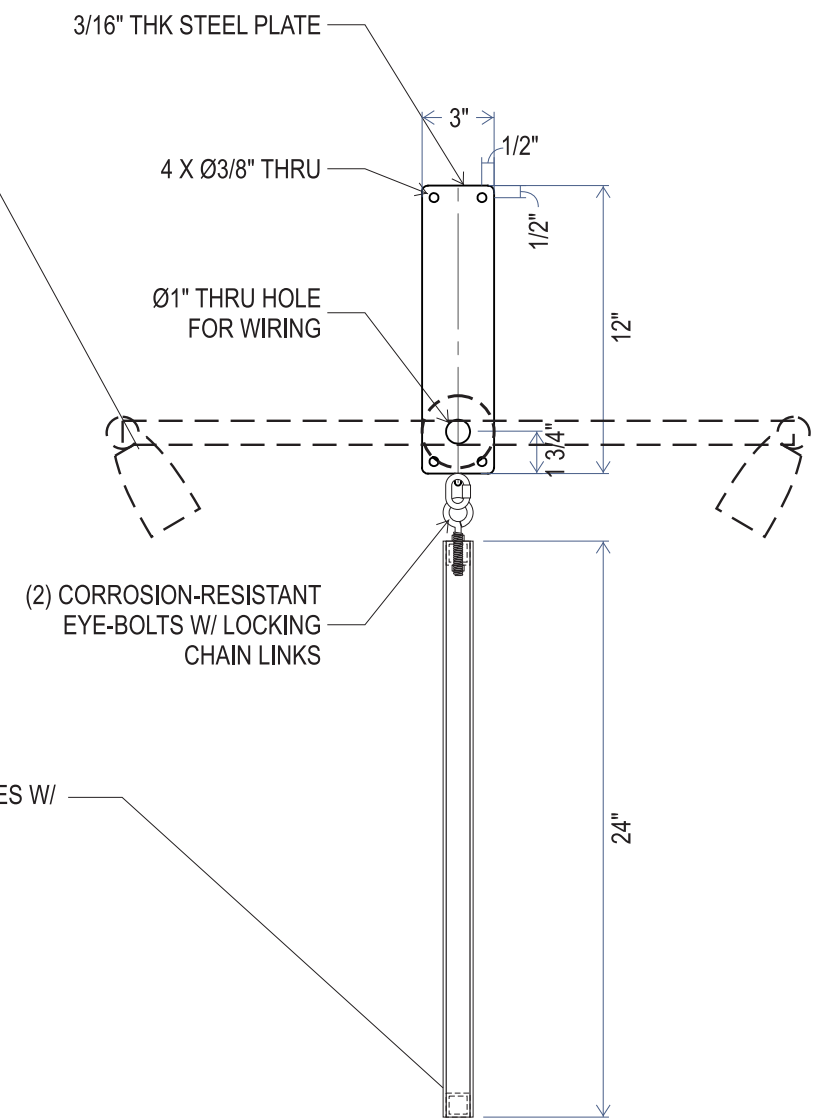
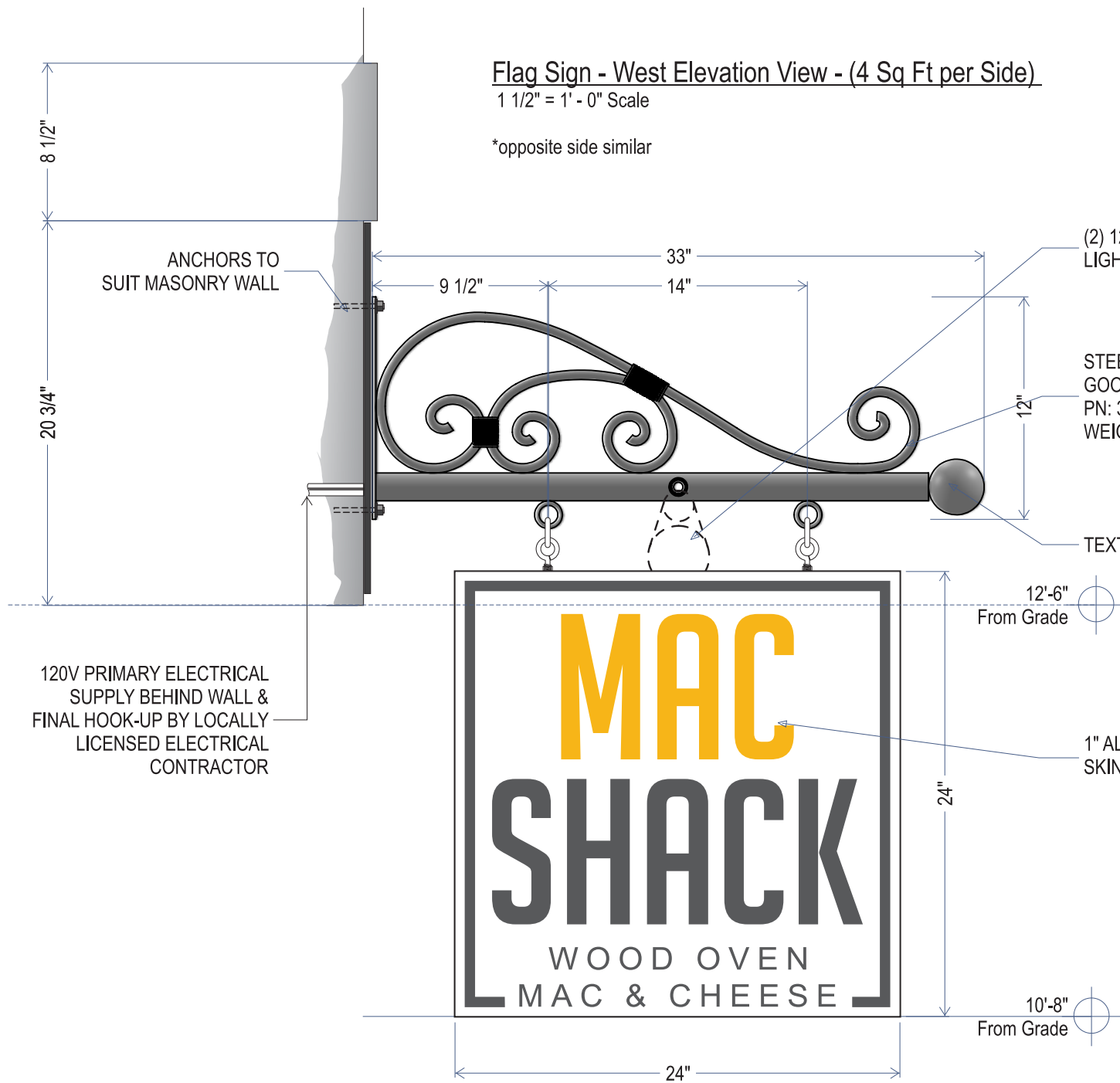
Scale: As Noted
Original Page Size: 11" x 17"

21208927 P_01 R2
INS - PROJ NO. DESIGN PG REV NO.

3
PRODUCTION PKG NO.

11143
ESTIMATE NO.

Work Order #: 11400



Flag Sign - Front View - (4 Sq Ft per Side)
 1 1/2" = 1' - 0" Scale



APPROVED
 By Tim Askin-HPC at 11:40 am, Feb 07, 2019

Project:
 Mac Shack/
 Brady St. Milwaukee

Description:
 (1) Set 3"d Face-Lit Channel Letters
 (1) 3" Face-Lit Channel Border
 (1) Set of FCO Letters w/ Mounting Tube

Project Location:
 1701 N Humboldt Ave,
 Milwaukee, WI 53202, USA

Billing Location:
 1701 N Humboldt Ave
 Milwaukee, WI 53202, USA

PRODUCTION RELEASE

Sales Rep: JCB **Date:** 10/23/18
Design: AAE

Disclaimer:
 THIS IS AN ORIGINAL DESIGN CREATED BY SIGN EFFECTZ. THE SUBMITTED DESIGN PROTECTED UNDER COPYRIGHT LAWS OF THE UNITED STATES CODE YOU AGREE NOT TO COPY PHOTOGRAPH MODIFY OR SHARE DIRECTLY OR INDIRECTLY ANY OF THE FOREGOING HELD BY YOU WITH ANY OTHER PARTY, NOR WILL YOU PERMIT ANY TIRDS PARTY TO DO ANY OF THE FOREGOING WITHOUT THE WRITTEN CONSENT OF SIGN EFFECTZ.

THIS SIGN IS INTENDED TO BE INSTALLED IN ACCORDANCE WITH THE REQUIREMENTS OF ARTICLE 600 OF THE NEC AND/OR OTHER APPLICABLE LOCAL CODES. THIS INCLUDES PROPER GROUNDING AND BONDING OF THE SIGN.

Notes
 Re-designed to Follow Local Ordinance & Requirements

REVISIONS:

Rev A redesigned all to fit local code/ requirements	By AE	Date 01/16/19
Rev B "OVEN FRIED," To, "WOOD OVEN,,"	By AE	Date 01/29/19
Rev C -	By -	Date
Rev D -	By -	Date
Rev E -	By -	Date
Rev F -	By -	Date

Scale: 1 1/2" = 1' - 0"
Original Page Size: 11" x 17"

21208927	P_02	R2
INS - PROJ NO.	DESIGN PG	REV NO.
3	PRODUCTION PKG NO.	
11143	ESTIMATE NO.	

Work Order #: 11400

WEST ELEVATION WALL - HUMBOLT AV. - MAIN ID SIGN
 * CENTER SIGN TO TOP WINDOW OPENING

SOUTH ELEVATION WALL - FLAG SIGN
 BRADY ST.

20 3/4"



PHOTO SURVEY OF PROPOSED
 Scale: 1/4" = 1' - 0"

1827 W. GLENDALE AVE. MILWAUKEE, WI 53209
 PH: 414.264.5504 FX: 414.264.5564



Project:
 Mac Shack/
 Brady St. Milwaukee

Description:
 (1) Set 3"d Face-Lit Channel Letters
 (1) 3" Face-Lit Channel Border
 (1) Set of FCO Letters w/ Mounting Tube

Project Location:
 1701 N Humboldt Ave,
 Milwaukee, WI 53202, USA

Billing Location:
 1701 N Humboldt Ave
 Milwaukee, WI 53202, USA

PRODUCTION RELEASE

Sales Rep: JCB **Date:** 10/23/18
Design: AAE

Disclaimer:
 THIS IS AN ORIGINAL DESIGN CREATED BY SIGN EFFECTZ. THE SUBMITTED DESIGN PROTECTED UNDER COPYRIGHT LAWS OF THE UNITED STATES CODE YOU AGREE NOT TO COPY PHOTOGRAPH MODIFY OR SHARE DIRECTLY OR INDIRECTLY ANY OF THE FOREGOING HELD BY YOU WITH ANY OTHER PARTY, NOR WILL YOU PERMIT ANY TIRDS PARTY TO DO ANY OF THE FOREGOING WITHOUT THE WRITTEN CONSENT OF SIGN EFFECTZ.

THIS SIGN IS INTENDED TO BE INSTALLED IN ACCORDANCE WITH THE REQUIREMENTS OF ARTICLE 600 OF THE NEC AND/OR OTHER APPLICABLE LOCAL CODES. THIS INCLUDES PROPER GROUNDING AND BONDING OF THE SIGN.

Notes
 Re-designed to Follow Local Ordinance & Requirements

REVISIONS:

Rev A redesigned all to fit local code/ requirements	By AE	Date 01/16/19
Rev B "OVEN FRIED," To, "WOOD OVEN,,"	By AE	Date 01/29/19
Rev C -	By -	Date
Rev D -	By -	Date
Rev E	By	Date
Rev F	By	Date

APPROVED
 By Tim Askin-HPC at 11:40 am, Feb 07, 2019



Scale: As Noted
Original Page Size: 11" x 17"

21208927 P_03 R2
 INS - PROJ NO. DESIGN PG REV NO.

3
 PRODUCTION PKG NO.

11143
 ESTIMATE NO.

Work Order #: 11400

SOUTH ELEVATION - HANGING ID SIGN - BRADY ST.

* CENTER BRACKET TO BRICK BAND ABOVE TOP WINDOWS



GOOSENECK SPOT ILLUMINATION

APPROVED
By Tim Askin-HPC at 11:40 am, Feb 07, 2019

SignEffectz, Inc™

SIGN / LIGHTING

www.signeffectz.com

1827 W. GLENDALE AVE. MILWAUKEE, WI 53209
PH: 414.264.5504 FX: 414.264.5564



Project:
Mac Shack/
Brady St. Milwaukee

Description:
(1) Set 3"d Face-Lit Channel Letters
(1) 3" Face-Lit Channel Border
(1) Set of FCO Letters w/ Mounting Tube

Project Location:
1701 N Humboldt Ave,
Milwaukee, WI 53202, USA

Billing Location:
1701 N Humboldt Ave
Milwaukee, WI 53202, USA

PRODUCTION RELEASE

Sales Rep: JCB **Date:** 10/23/18
Design: AAE

Disclaimer:
THIS IS AN ORIGINAL DESIGN CREATED BY SIGN EFFECTZ. THE SUBMITTED DESIGN PROTECTED UNDER COPYRIGHT LAWS OF THE UNITED STATES CODE YOU AGREE NOT TO COPY PHOTOGRAPH MODIFY OR SHARE DIRECTLY OR INDIRECTLY ANY OF THE FOREGOING HELD BY YOU WITH ANY OTHER PARTY, NOR WILL YOU PERMIT ANY TIRDS PARTY TO DO ANY OF THE FOREGOING WITHOUT THE WRITTEN CONSENT OF SIGN EFFECTZ.

THIS SIGN IS INTENDED TO BE INSTALLED IN ACCORDANCE WITH THE REQUIREMENTS OF ARTICLE 600 OF THE NEC AND/OR OTHER APPLICABLE LOCAL CODES. THIS INCLUDES PROPER GROUNDING AND BONDING OF THE SIGN.

Notes
Re-designed to Follow Local Ordinance & Requirements

REVISIONS:

Rev A redesigned all to fit local code/ requirements	By AE	Date 01/16/19
Rev B "OVEN FRIED." To, "WOOD OVEN."	By AE	Date 01/29/19
Rev C -	By -	Date
Rev D -	By -	Date
Rev E -	By -	Date
Rev F -	By -	Date

Scale: As Noted
Original Page Size: 11" x 17"

21208927 P_04 R2
INS - PROJ NO. DESIGN PG REV NO.

3
PRODUCTION PKG NO.

11143
ESTIMATE NO.

Work Order #: 11400