

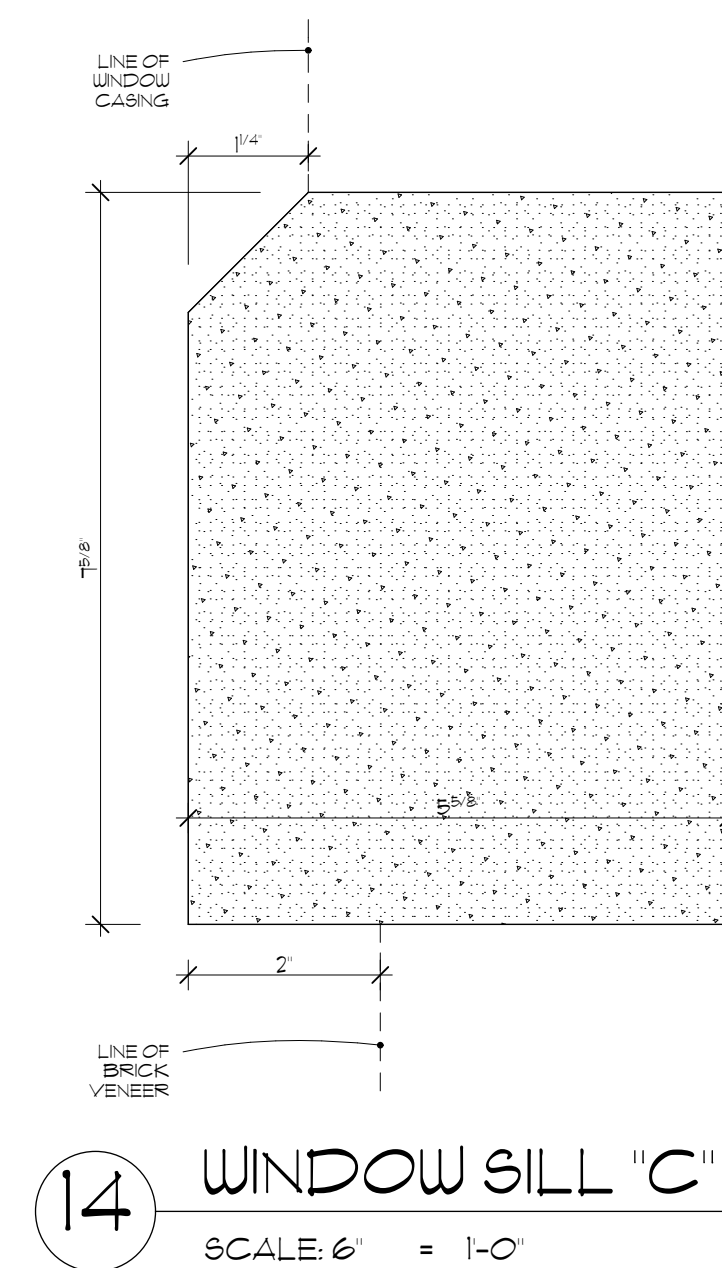
1 BAND "A" / WINDOW SILL "A"
SCALE: 6" = 1'-0"

2 BAND "B" / WINDOW SILL "B"
SCALE: 6" = 1'-0"

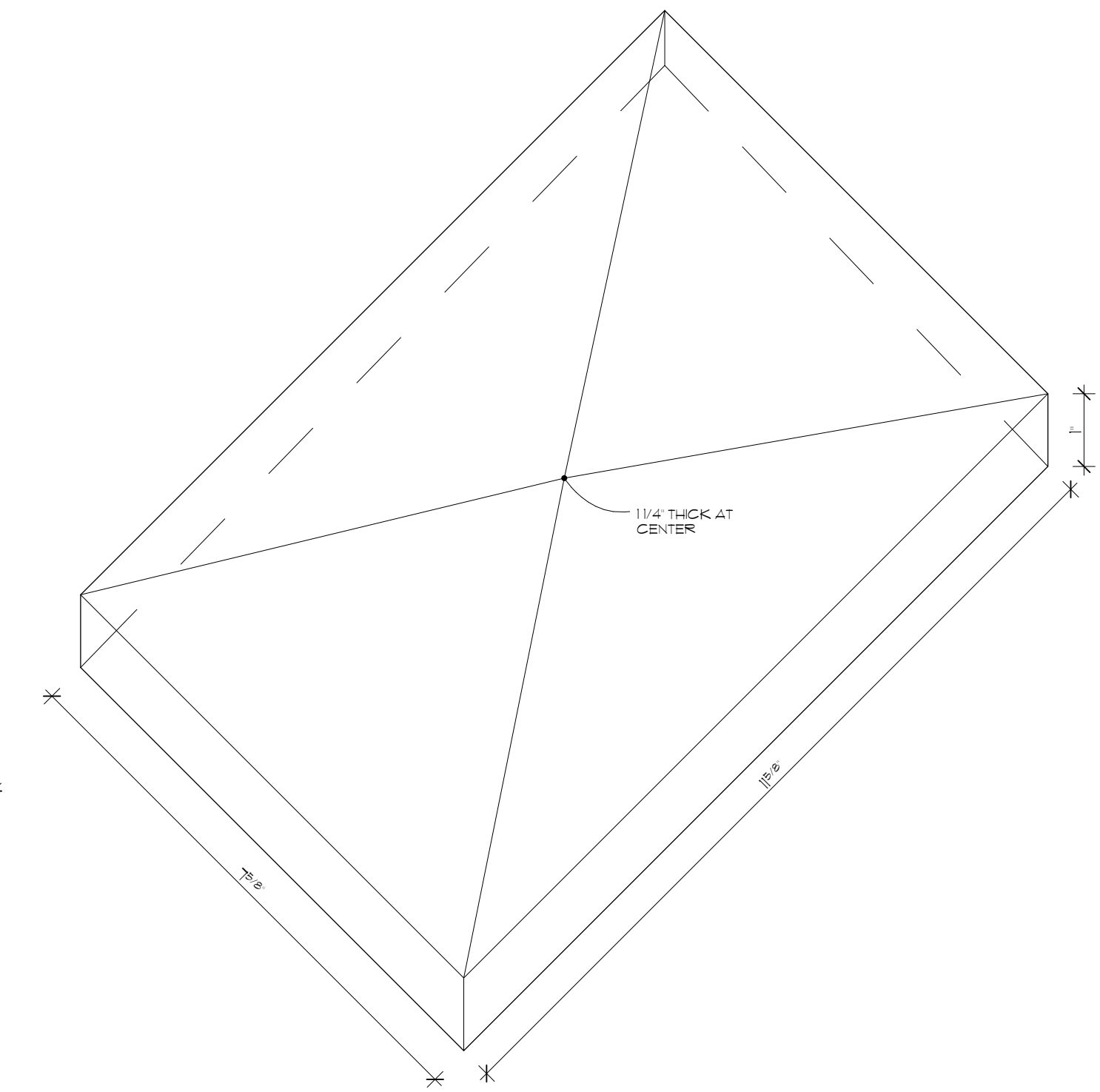
3 BAND "C"
SCALE: 6" = 1'-0"

5 BAND "E"
SCALE: 6" = 1'-0"

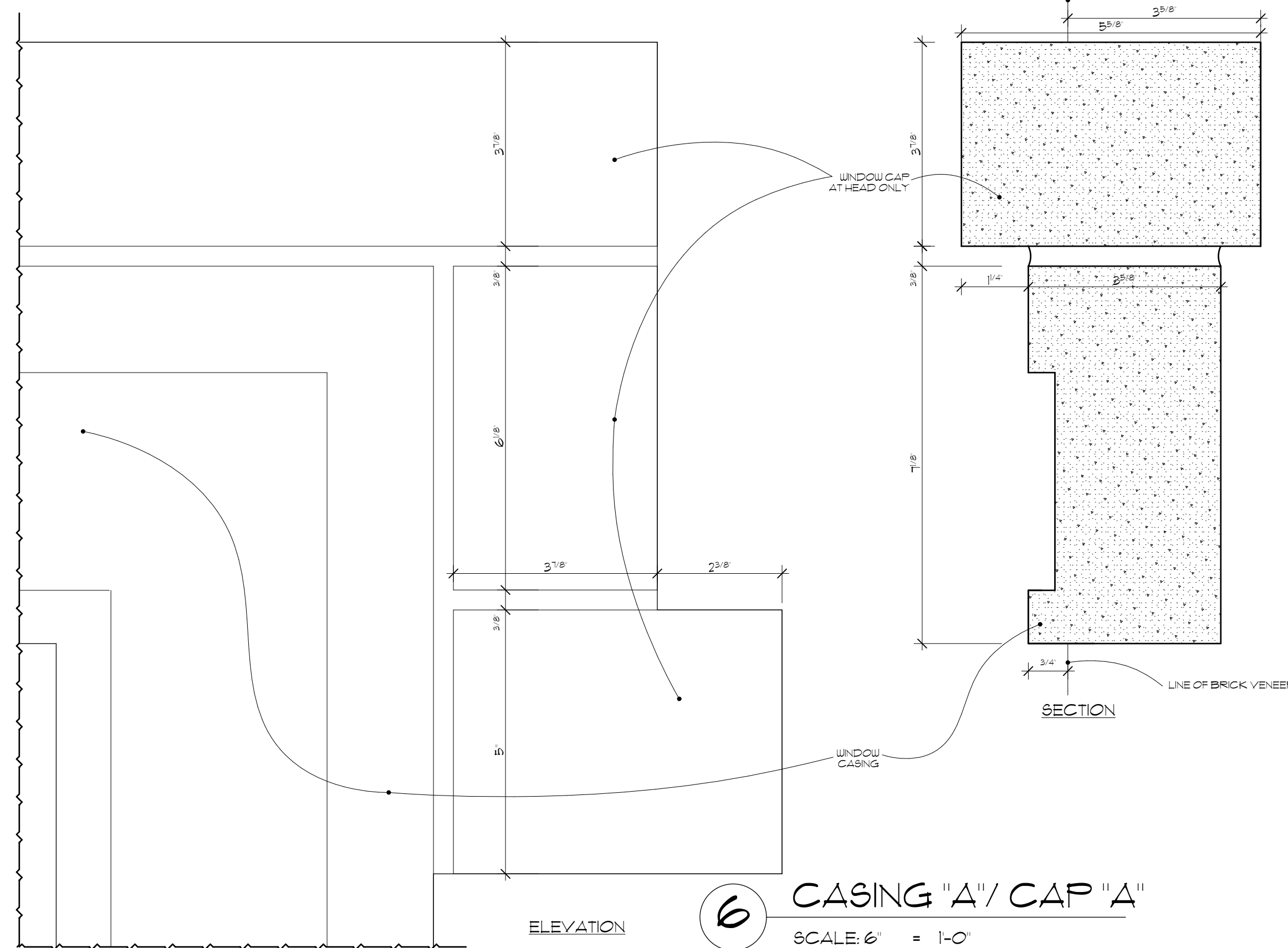
4 BAND "D"
SCALE: 6" = 1'-0"
NOT USED



14 WINDOW SILL "C"
SCALE: 6" = 1'-0"

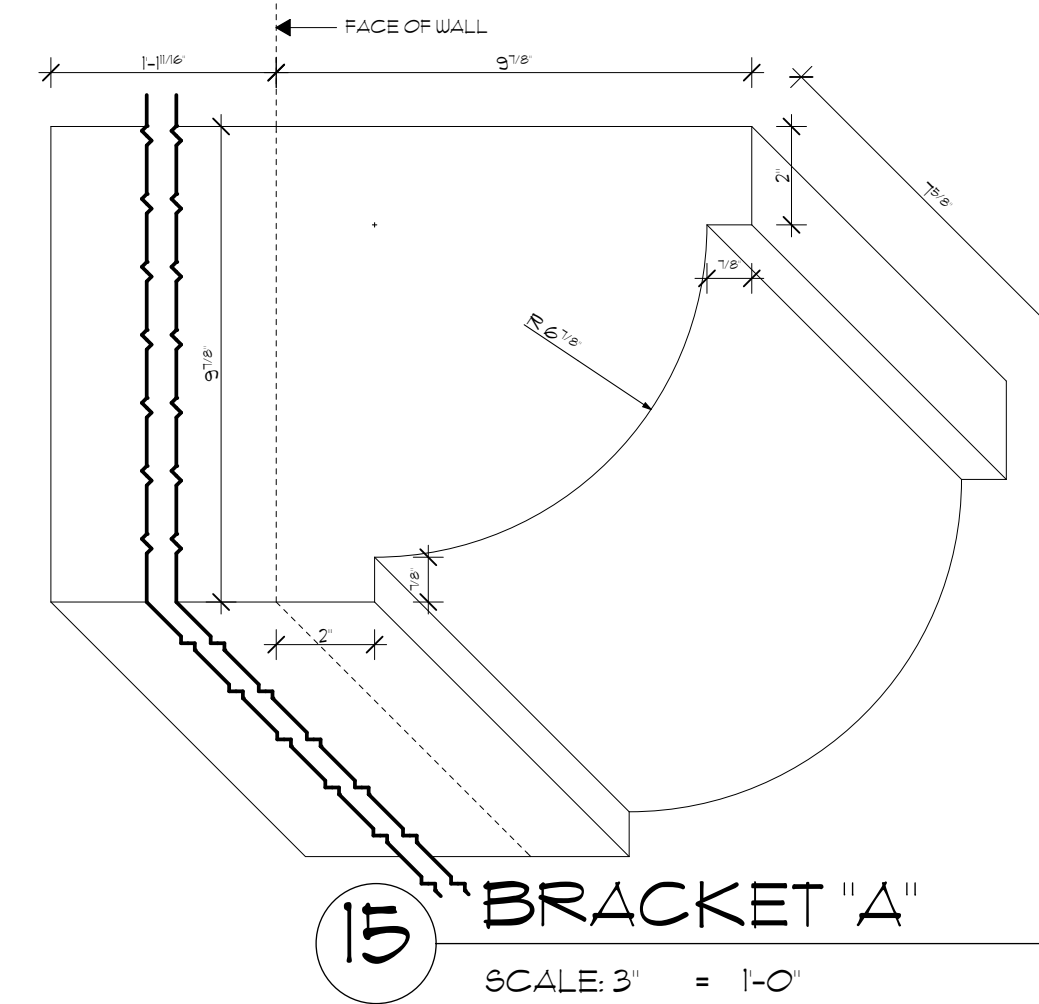
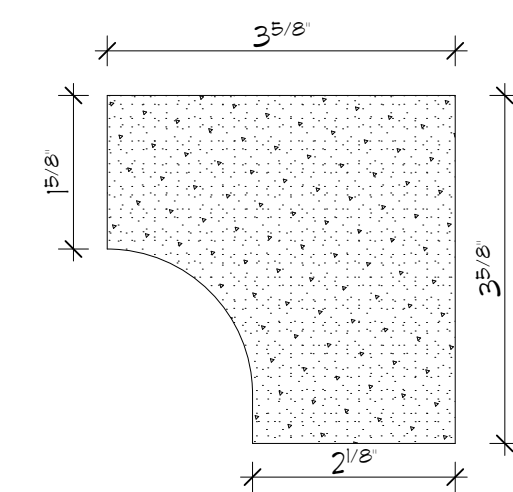


8 PIER CAP "A"
SCALE: 6" = 1'-0"

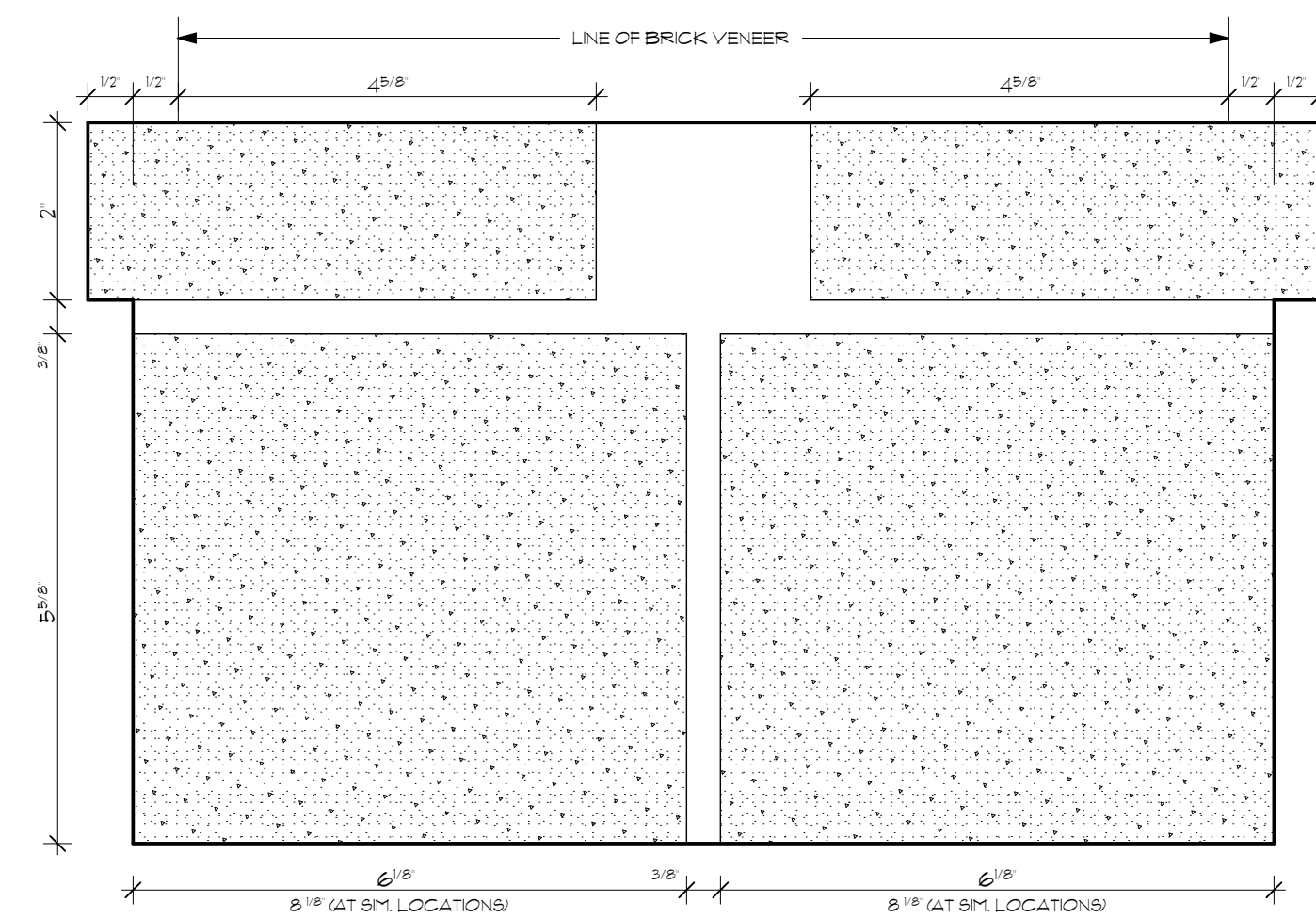


6 CASING "A" / CAP "A"
SCALE: 6" = 1'-0"

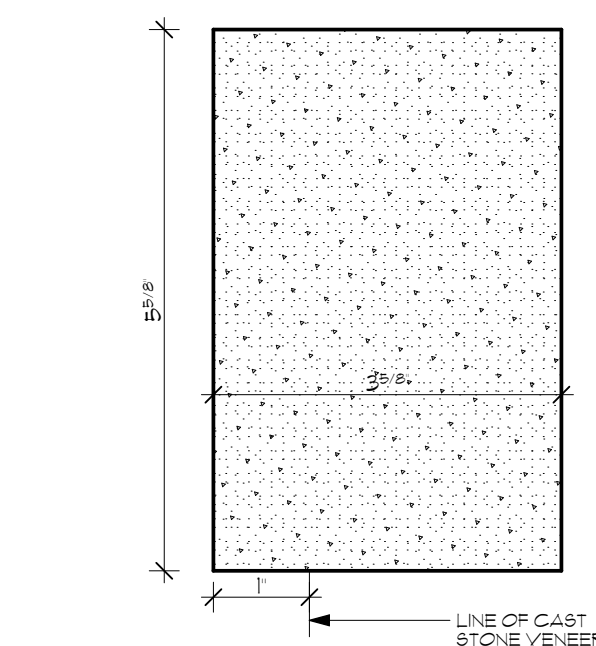
7 CASING "B"
SCALE: 6" = 1'-0"



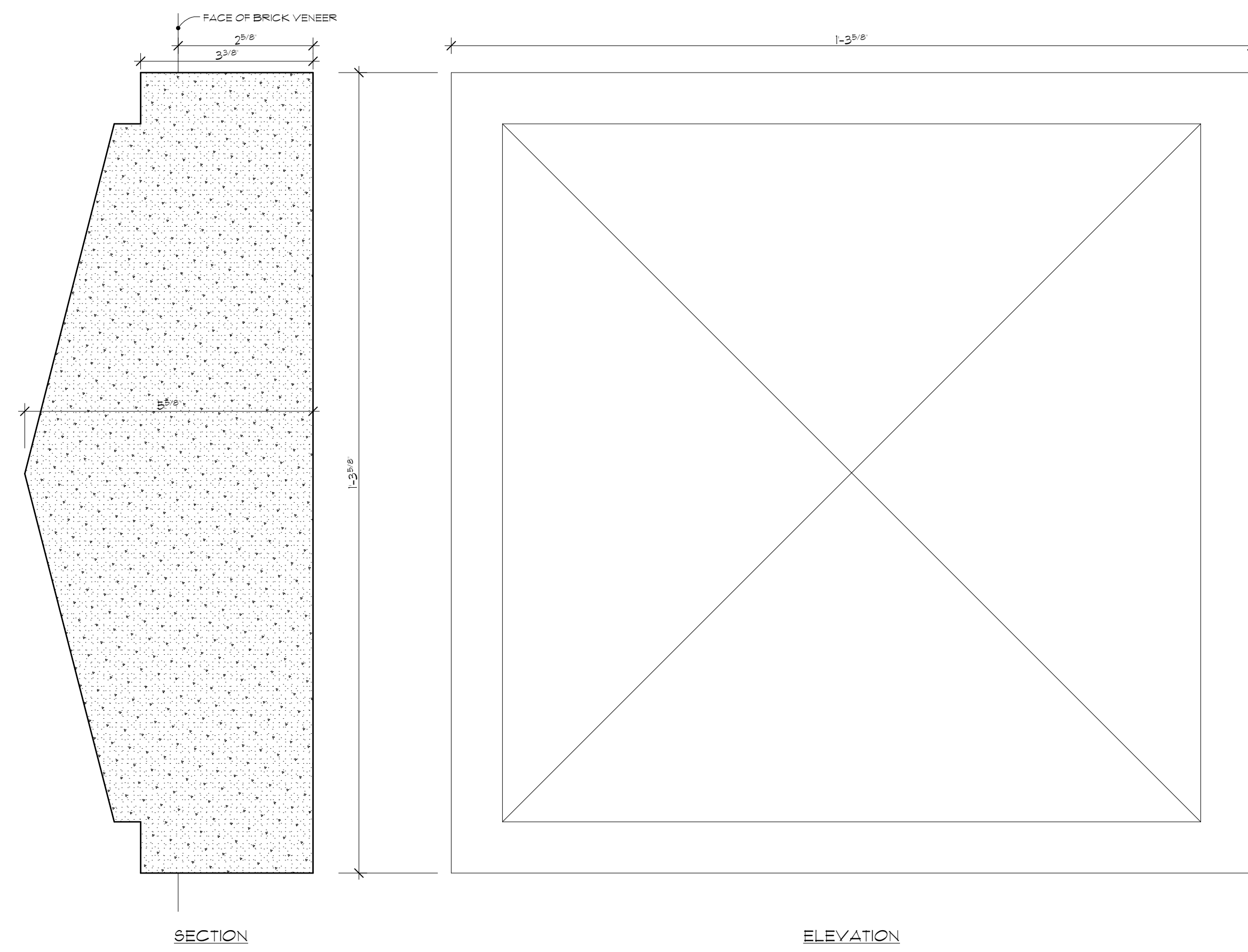
15 BRACKET "A"
SCALE: 3" = 1'-0"



9 CAP "B"
SCALE: 6" = 1'-0"



13 CAP "C"
SCALE: 6" = 1'-0"



12 ACCENT "A"
SCALE: 6" = 1'-0"



NOTE

ALTHOUGH EVERY EFFORT HAS BEEN MADE IN PREPARING THESE CONTRACT DOCUMENTS AND CHECKING THEM FOR ACCURACY, THE CONTRACTORS MUST CHECK ALL DETAILS AND DIMENSIONS AND BE RESPONSIBLE FOR SAME. THE CONTRACTORS SHALL BE RESPONSIBLE FOR MAKING SURE THAT ALL WORK IS DONE IN ACCORDANCE WITH ALL STATE AND LOCAL CODES. THE CONTRACT DOCUMENTS UTILIZE A PROCESS CALLED FREE DESIGN OR DESIGN/BUILD FOR ROOF WINDOW PLUMBING ELECTRICAL HVAC DETAILS AND AS DESIGNATED IN THE SPECIFICATION AS TO BE COMPLETED ON A DESIGN/BUILD BASIS. THIS MEANS THAT THE CONTRACT DOCUMENTS DO NOT INCLUDE ALL REQUIRED DETAILS AND THAT THE CONTRACTORS SHALL USE THEIR OWN STAFF OR QUALIFIED SUBCONTRACTORS DESIGN AND BUILD THE FREE DESIGN AND DESIGN/BUILD PORTIONS OF THE WORK. THE CLIENT IS DIRECTLY CONTRACTING WITH THE CONTRACTORS AND THEREFORE THE CLIENT AND THE CONTRACTORS ARE ASSUMING THE DESIGN AND BUILD RESPONSIBILITY FOR THE FREE DESIGN AND DESIGN/BUILD PORTIONS OF THE PROJECT. DEEP RIVER PARTNERS LTD IS NOT RESPONSIBLE FOR INSPECTING ANY ASPECT OF THE CONTRACTORS WORK OR FOR OBSERVATION OF THE CONTRACTORS WORK FOR COMPLIANCE WITH THE CONTRACT DOCUMENTS.

DEEP RIVER PARTNERS, LTD.
338 N. MILWAUKEE STREET
SUITE #505
MILWAUKEE, WI 53202
TELL 414-276-8550
FAX 414-276-8560

Description	Date
REDLINE ISSUE	3/17/2016
1/4 OWNER APPROVAL	7/15/2015
HISTORICAL SUBMITTAL	5/5/2016
INTERIOR ELEVATIONS	12/17/2015
A/V REVIEW ISSUE	
BID ISSUE	
PERMIT ISSUE	
CONSTRUCTION ISSUE	
ARCHITECTURAL REVIEW	

1501
LAFAYETTE TOWN HOME
2115 E. LAFAYETTE PLACE
MILWAUKEE, WISCONSIN
53202

EXTERIOR DETAILS

A5.5

© COPYRIGHT 2016 DEEP RIVER PARTNERS, LTD. ALL RIGHTS RESERVED. THIS DOCUMENT, IDEAS AND DESIGN INCORPORATED HEREIN ARE THE PROPERTY OF DEEP RIVER PARTNERS, LTD. AND ARE NOT TO BE USED WHOLE OR IN PART WITHOUT THE WRITTEN CONSENT OF DEEP RIVER PARTNERS, LTD.