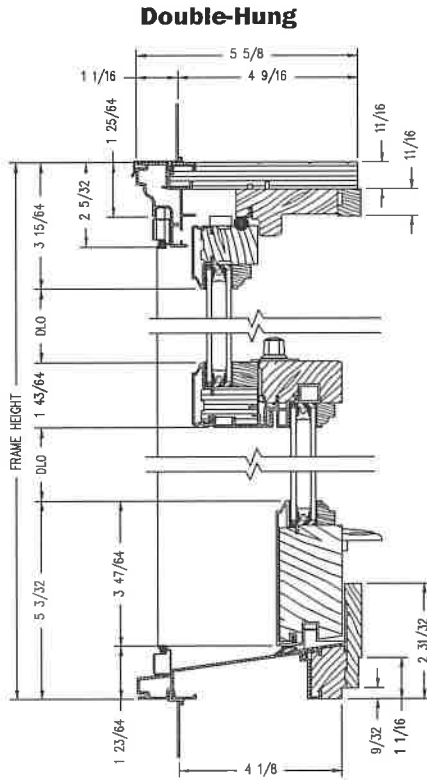
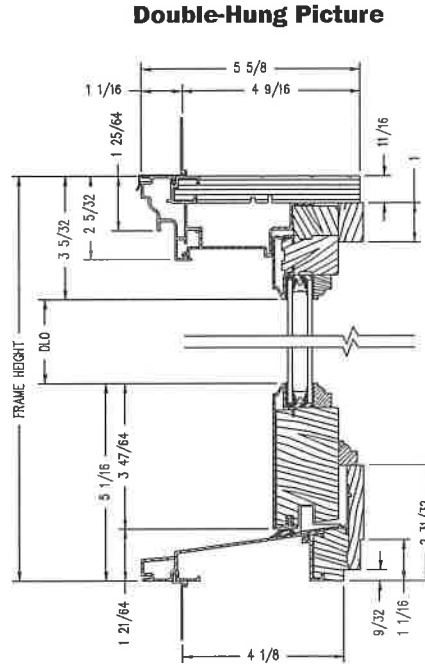


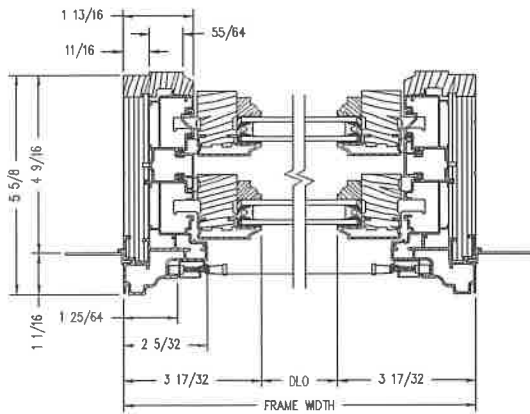
Double-Hung Windows



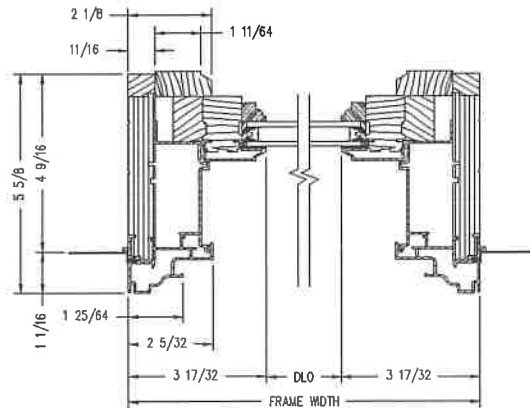
Vertical Section



Vertical Section



Horizontal Section



Horizontal Section

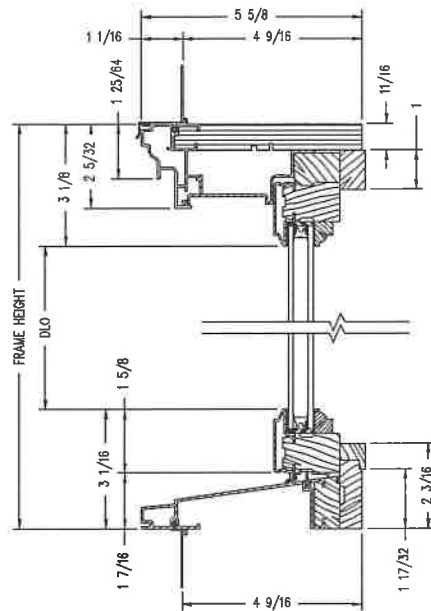
*Shown with ovolo (colonial) glass stops.*

PROPER INSTALLATION AND MAINTENANCE OF E-SERIES PRODUCTS IS ESSENTIAL TO ATTAIN OPTIMUM PERFORMANCE AND OPERATION. WRITTEN INSTALLATION INSTRUCTIONS THAT PROVIDE GUIDELINES FOR PROPER INSTALLATION ARE AVAILABLE BY VISITING [ANDERSENWINDOWS.COM](http://ANDERSENWINDOWS.COM)

ADDITIONAL CUSTOM SIZES ARE AVAILABLE. CONTACT YOUR LOCAL DEALER FOR MORE INFORMATION. DRAWINGS ARE NOT TO SCALE.

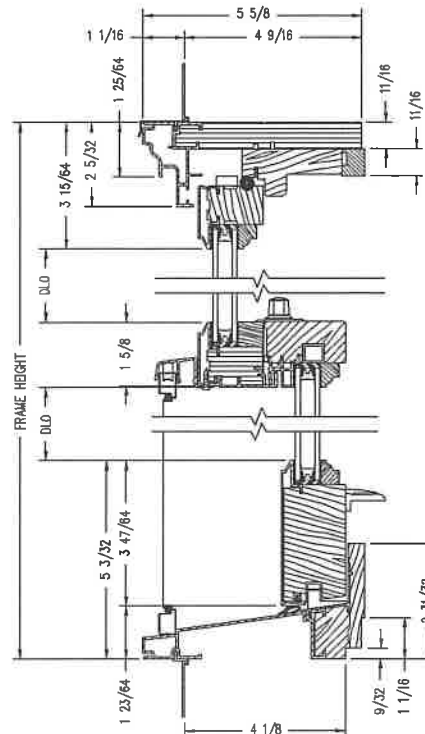
**Double-Hung Windows**

**Double-Hung Transom**

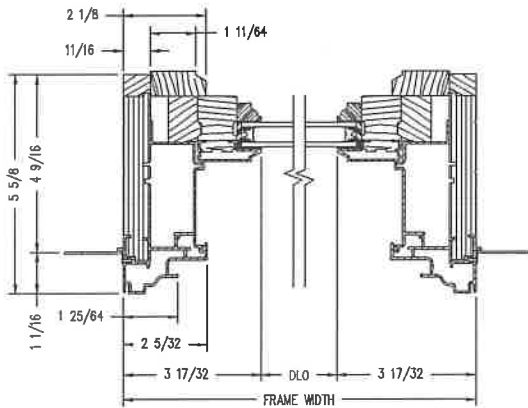


Vertical Section

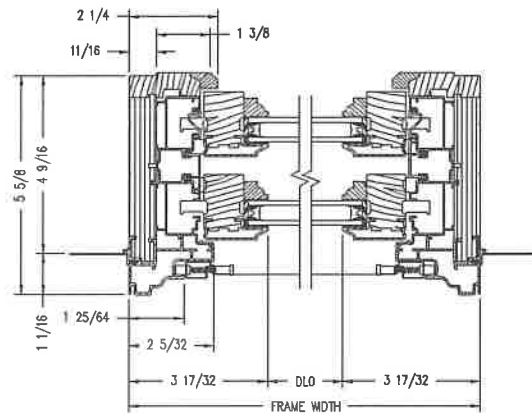
**Monumental Single-Hung**



Vertical Section



Horizontal Section



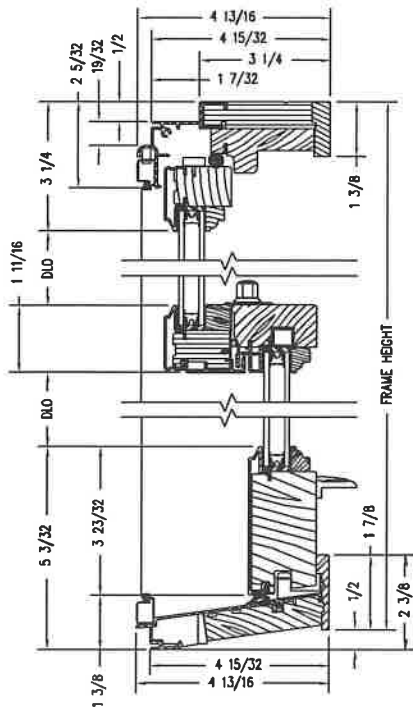
Horizontal Section

*Shown with ovolo (colonial) glass stops.*

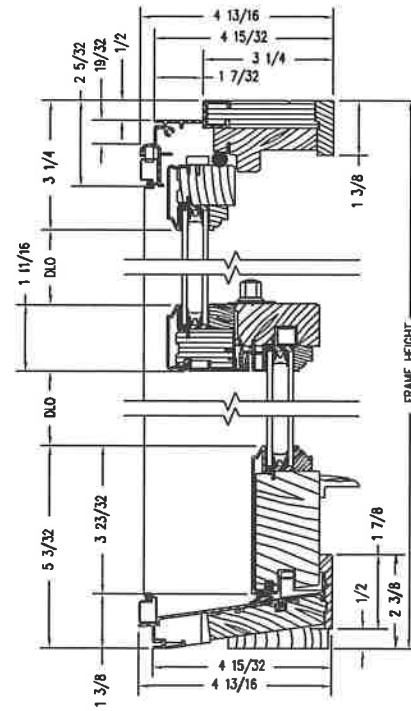
PROPER INSTALLATION AND MAINTENANCE OF E-SERIES PRODUCTS IS ESSENTIAL TO ATTAIN OPTIMUM PERFORMANCE AND OPERATION. WRITTEN INSTALLATION INSTRUCTIONS THAT PROVIDE GUIDELINES FOR PROPER INSTALLATION ARE AVAILABLE BY VISITING [ANDERSENWINDOWS.COM](http://ANDERSENWINDOWS.COM)

ADDITIONAL CUSTOM SIZES ARE AVAILABLE. CONTACT YOUR LOCAL DEALER FOR MORE INFORMATION. DRAWINGS ARE NOT TO SCALE.

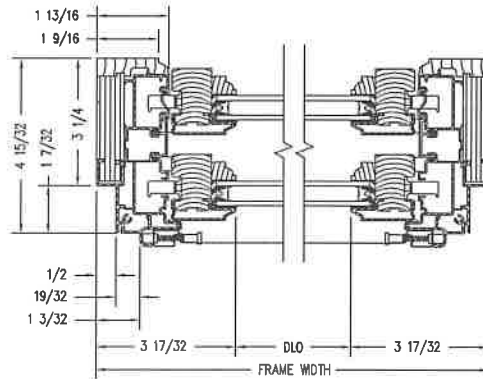
Double-Hung Insert Windows



Vertical Section  
(For sill angles 8° and greater)



Vertical Section  
(For sill angles less than 8°)



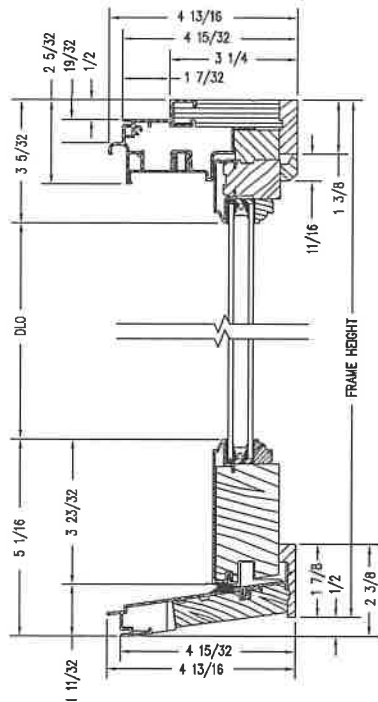
Horizontal Section

*Shown with ovolo (colonial) glass stops.*

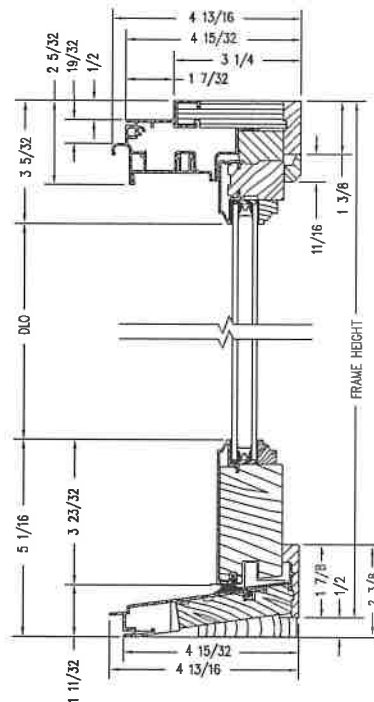
PROPER INSTALLATION AND MAINTENANCE OF E-SERIES PRODUCTS IS ESSENTIAL TO ATTAIN OPTIMUM PERFORMANCE AND OPERATION. WRITTEN INSTALLATION INSTRUCTIONS THAT PROVIDE GUIDELINES FOR PROPER INSTALLATION ARE AVAILABLE BY VISITING [ANDERSENWINDOWS.COM](http://ANDERSENWINDOWS.COM)

ADDITIONAL CUSTOM SIZES ARE AVAILABLE. CONTACT YOUR LOCAL DEALER FOR MORE INFORMATION. DRAWINGS ARE NOT TO SCALE.

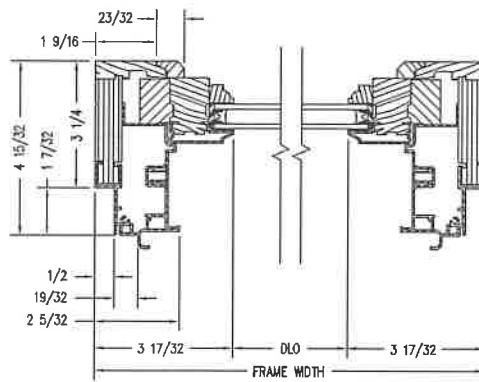
**Double-Hung Picture Insert Windows**



Vertical Section  
 (For sill angles 8° and greater)



Vertical Section  
 (For sill angles less than 8°)



Horizontal Section

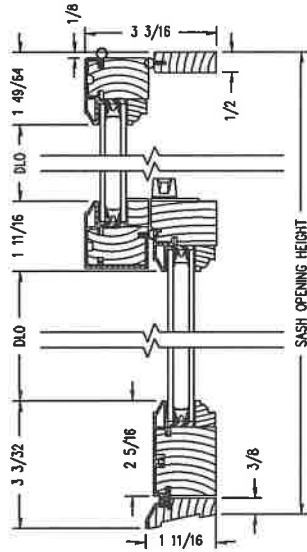
*Shown with ovolo (colonial) glass stops.*

PROPER INSTALLATION AND MAINTENANCE OF E-SERIES PRODUCTS IS ESSENTIAL TO ATTAIN OPTIMUM PERFORMANCE AND OPERATION. WRITTEN INSTALLATION INSTRUCTIONS THAT PROVIDE GUIDELINES FOR PROPER INSTALLATION ARE AVAILABLE BY VISITING [ANDERSENWINDOWS.COM](http://ANDERSENWINDOWS.COM)

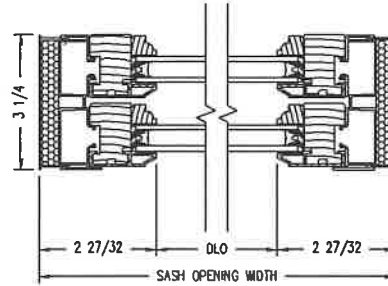
ADDITIONAL CUSTOM SIZES ARE AVAILABLE. CONTACT YOUR LOCAL DEALER FOR MORE INFORMATION. DRAWINGS ARE NOT TO SCALE.

Double-Hung Sash Replacement Kits

Double-Hung Sash Replacement

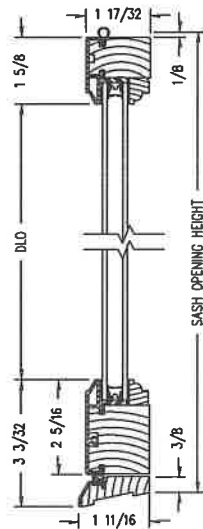


Vertical Section

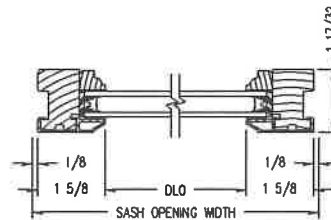


Horizontal Section

Double-Hung Picture Sash Replacement



Vertical Section



Horizontal Section

*Shown with ovolo (colonial) glass stops.*

PROPER INSTALLATION AND MAINTENANCE OF E-SERIES PRODUCTS IS ESSENTIAL TO ATTAIN OPTIMUM PERFORMANCE AND OPERATION. WRITTEN INSTALLATION INSTRUCTIONS THAT PROVIDE GUIDELINES FOR PROPER INSTALLATION ARE AVAILABLE BY VISITING [ANDERSENWINDOWS.COM](http://ANDERSENWINDOWS.COM)

ADDITIONAL CUSTOM SIZES ARE AVAILABLE. CONTACT YOUR LOCAL DEALER FOR MORE INFORMATION. DRAWINGS ARE NOT TO SCALE.

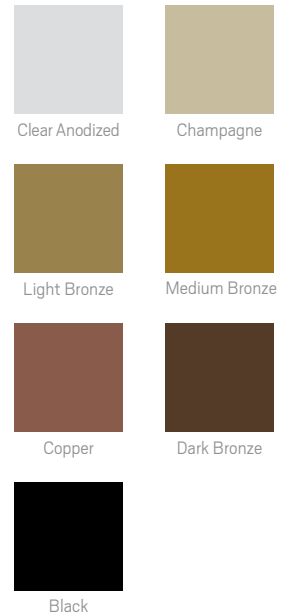
**EXTERIOR COLORS**

With E-Series windows and patio doors, you have the freedom to choose 50 exterior colors, or specify a custom color. You can also combine up to four colors for added curb appeal. Or choose one of our anodized finishes for a rich, lustrous metallic appearance.

**50 EXTERIOR COLORS**



**7 ANODIZED FINISHES**



**UNLIMITED CUSTOM COLORS**

You shouldn't have to settle for "close enough." We will work with you to develop a custom exterior color that meets your needs.