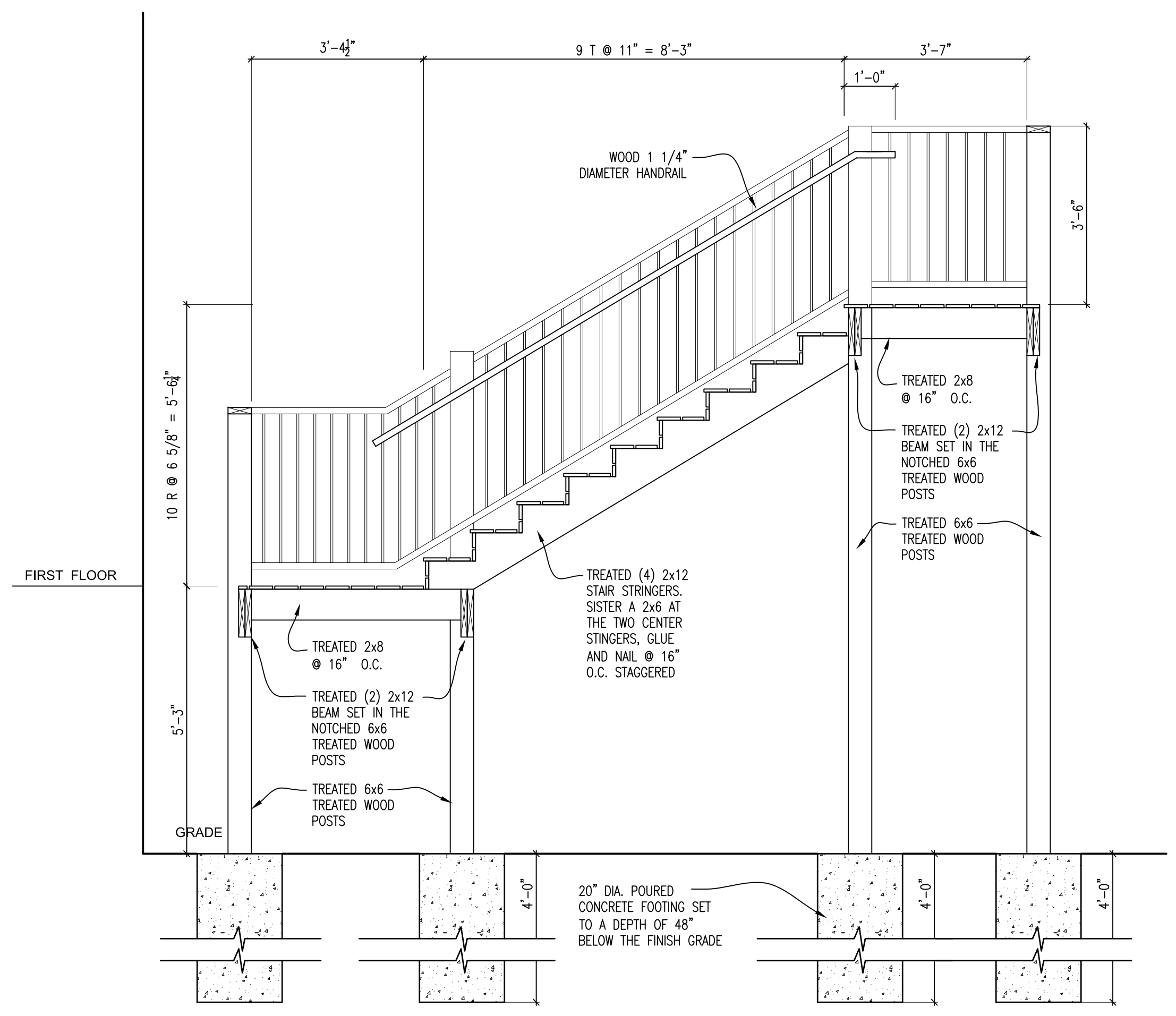
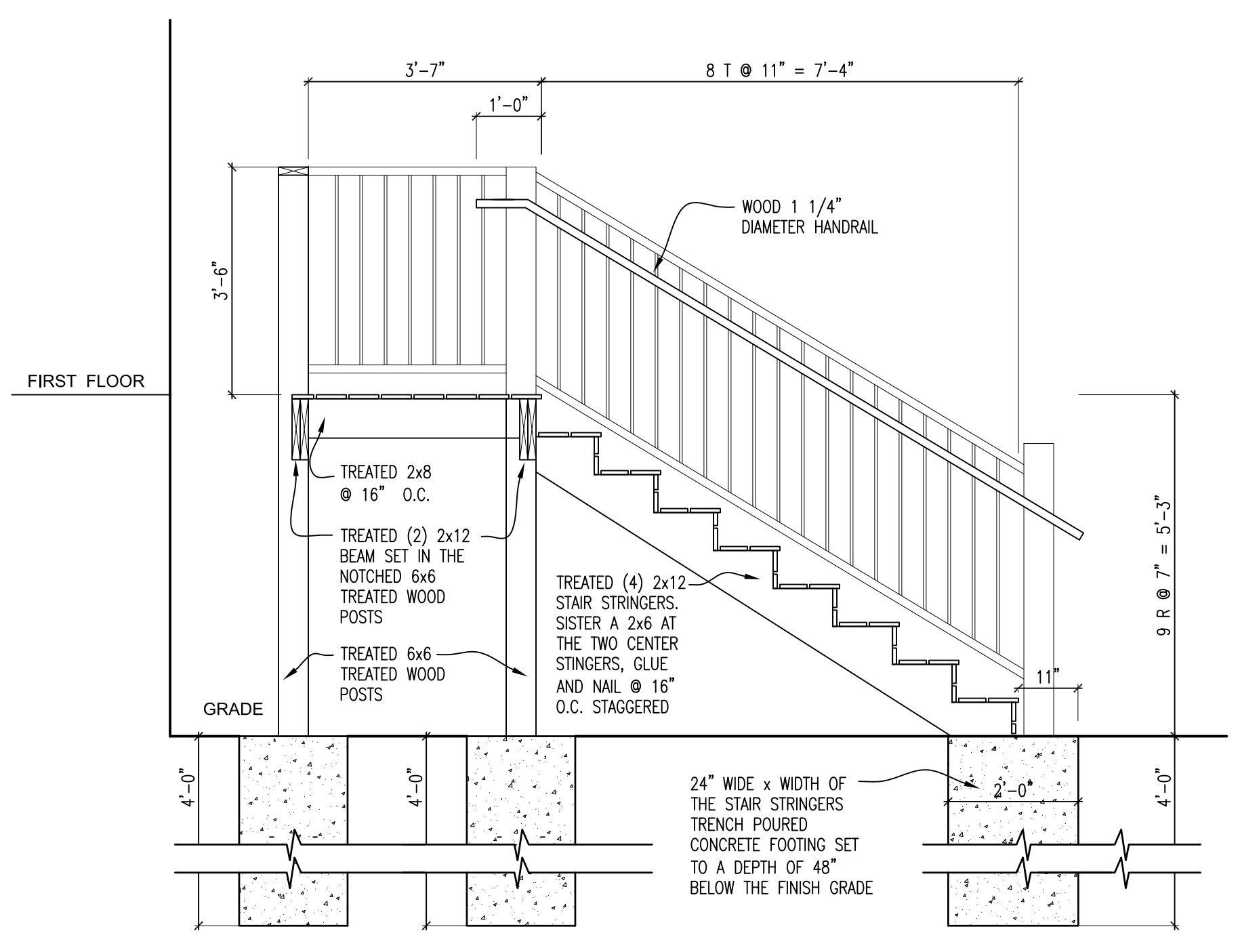


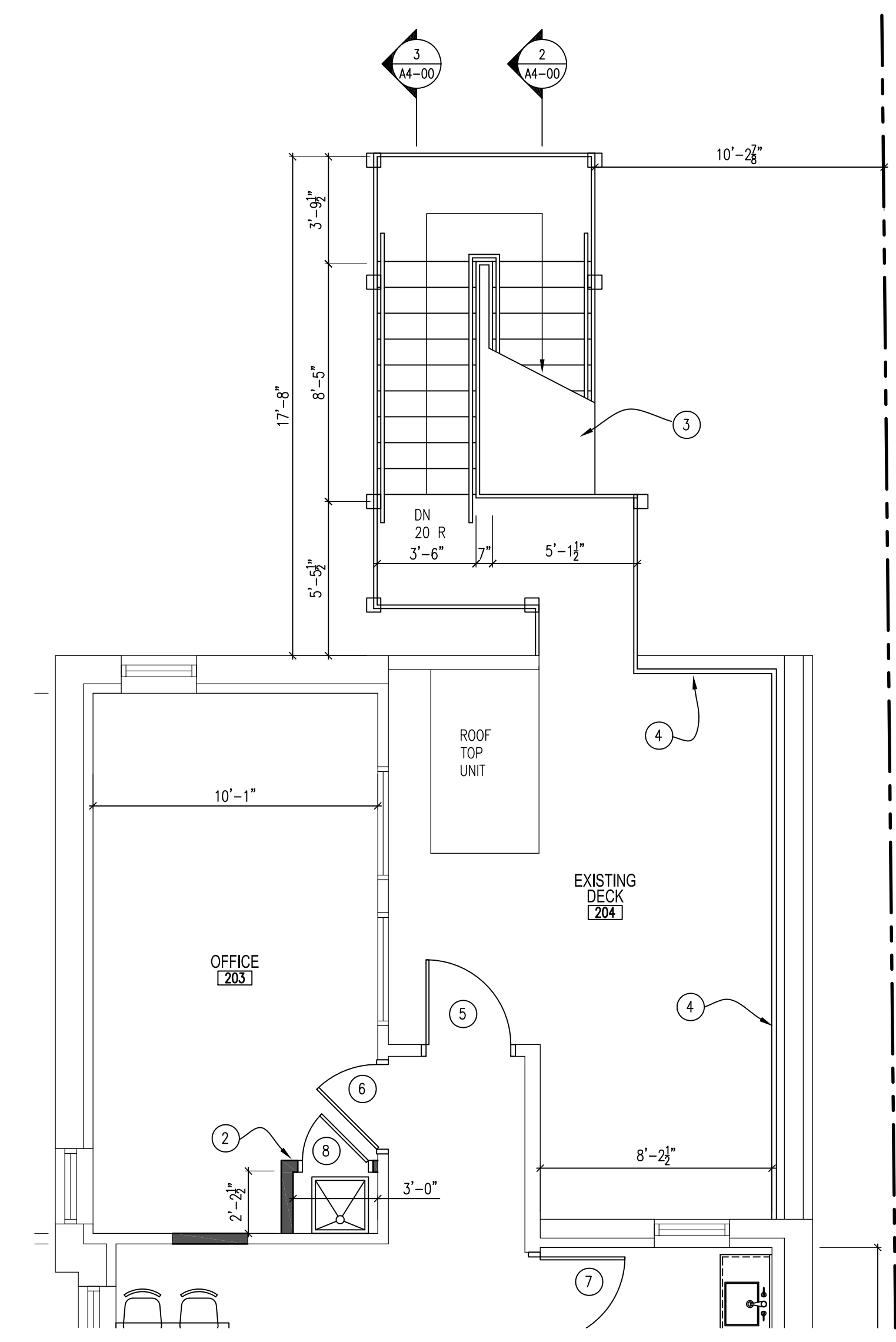
**SECTION 3**  
SCALE: 1/2" = 1'-0"



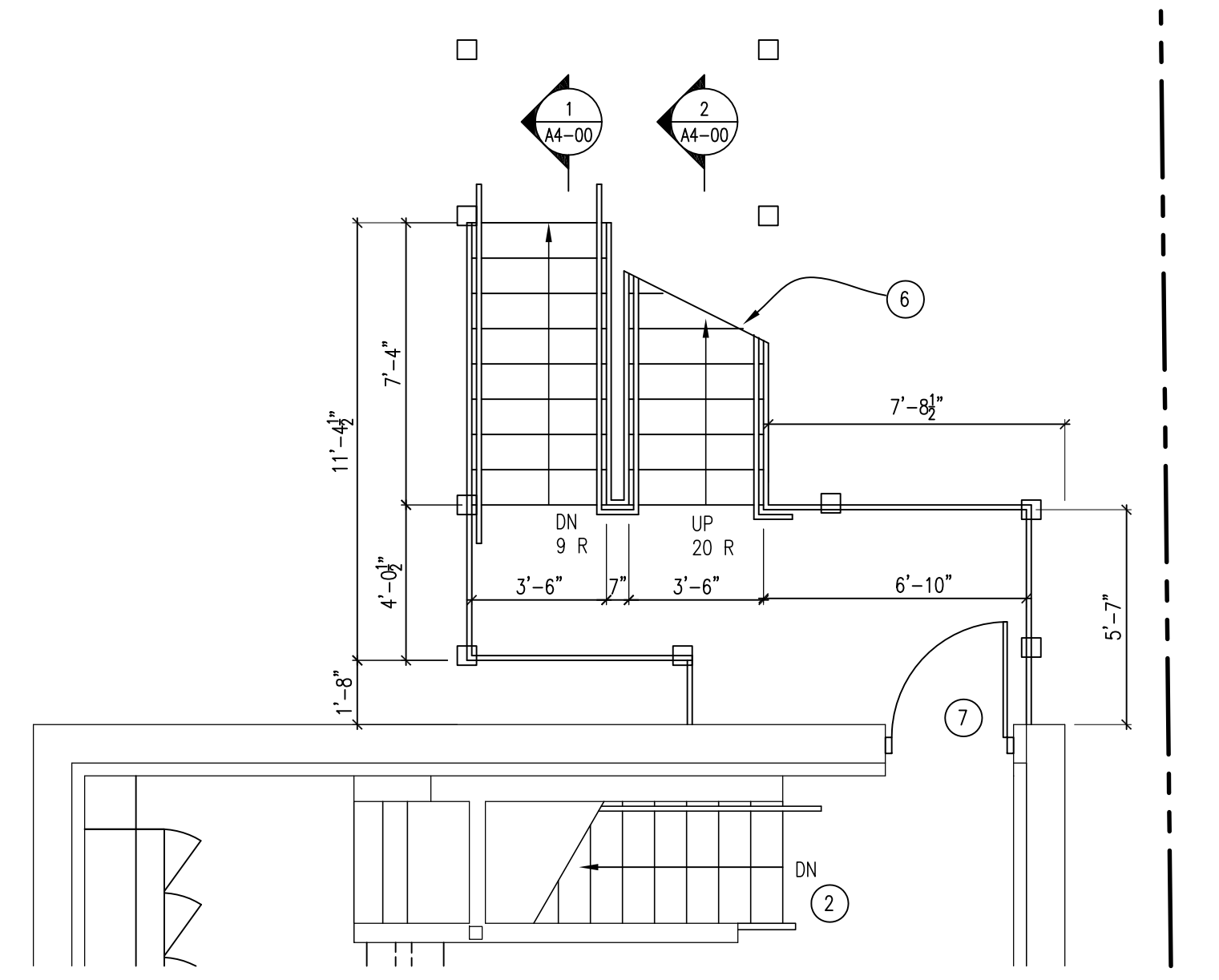
**SECTION 2**  
SCALE: 1/2" = 1'-0"



**SECTION 1**  
SCALE: 1/2" = 1'-0"



**SECOND FLOOR PROPOSED PLAN**  
SCALE - 1/4" = 1'-0"



**FIRST FLOOR PROPOSED PLAN**  
SCALE - 1/4" = 1'-0"