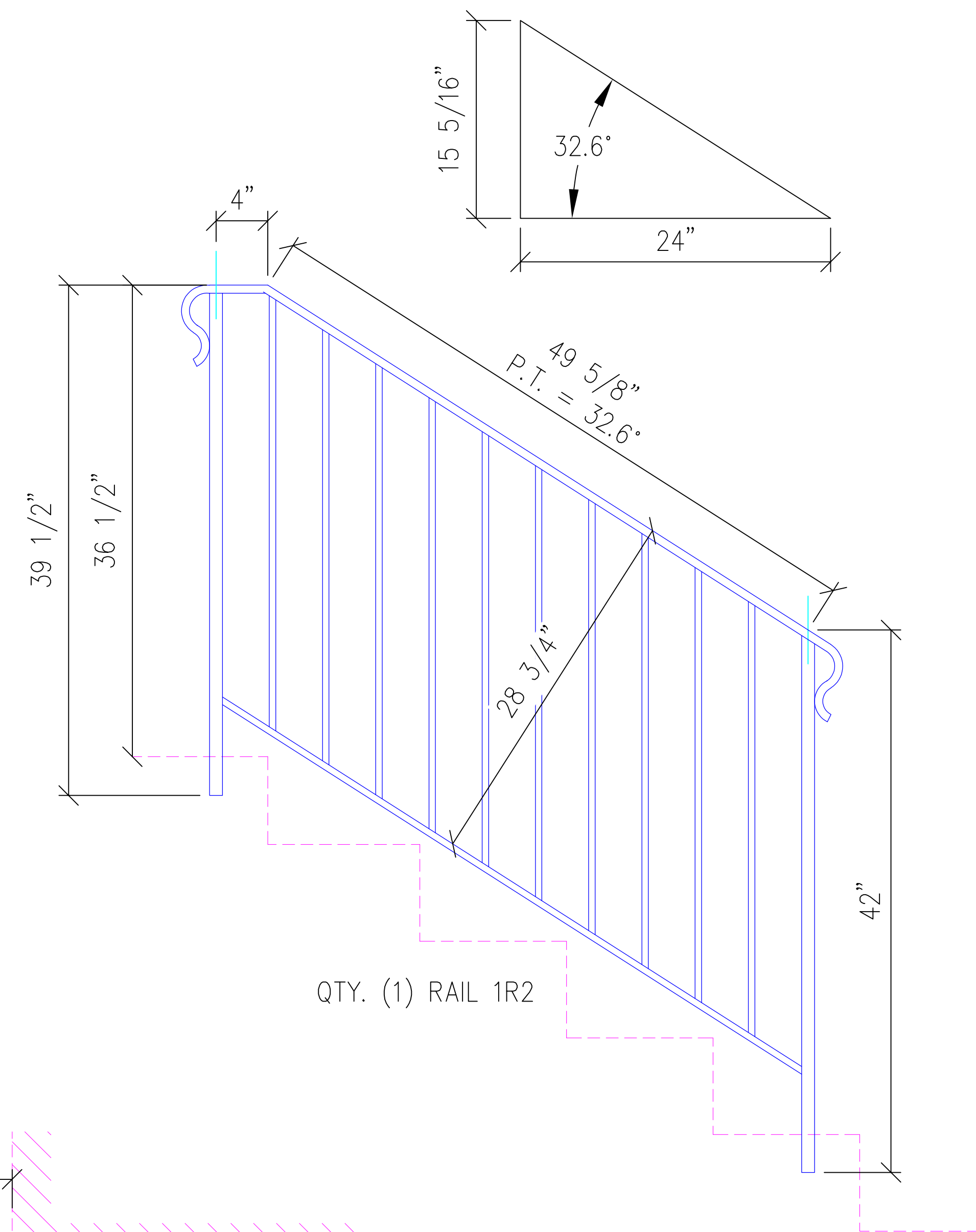
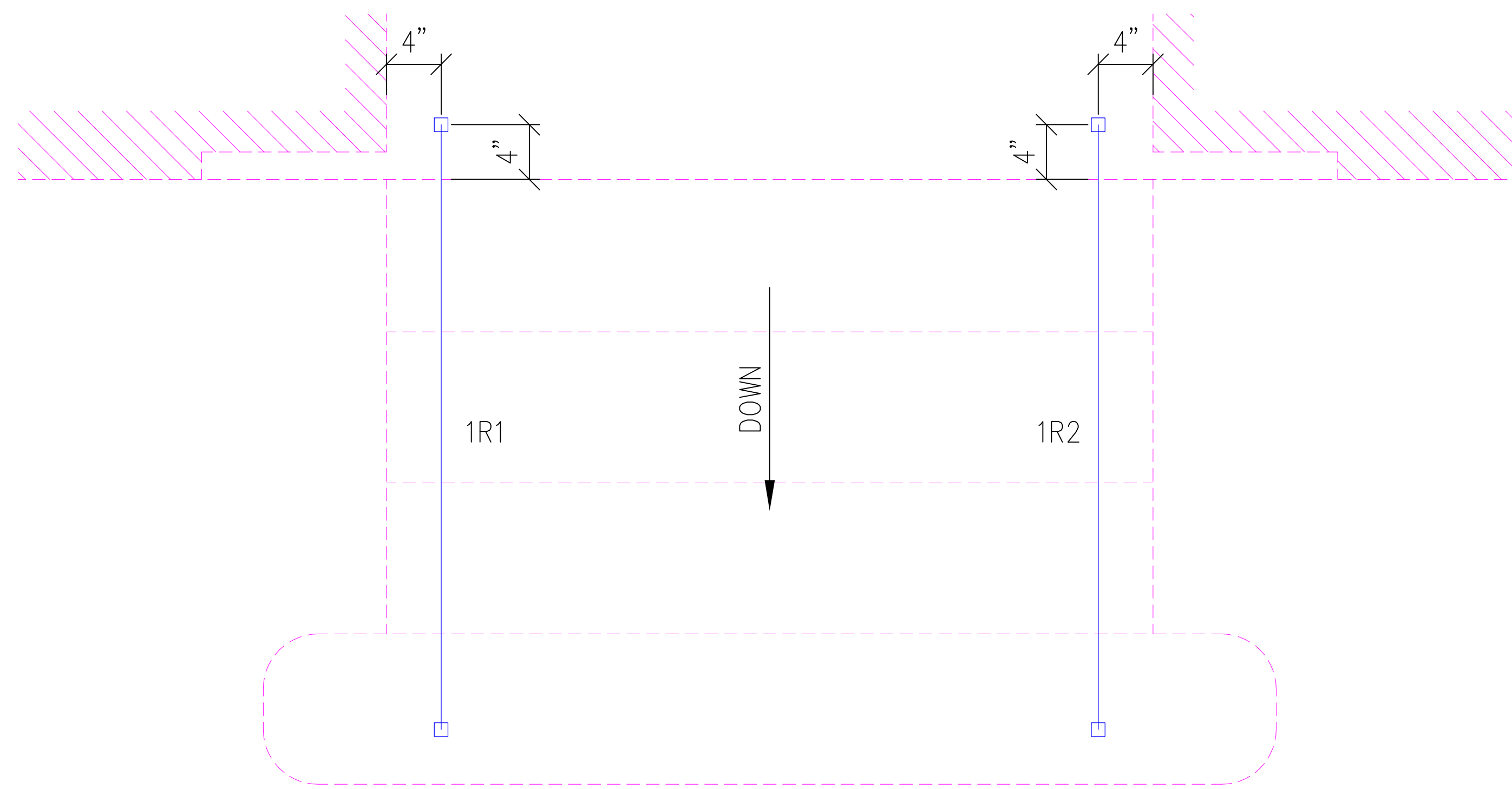


QTY. (1) RAIL 1R1

3" CORE DRILL



QTY. (1) RAIL 1R2



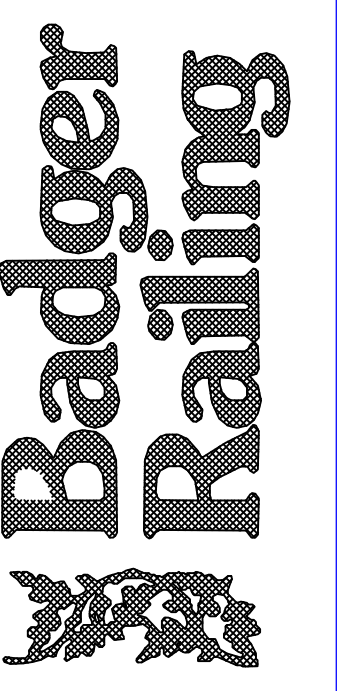
PLAN VIEW AT PORCH STAIR

MATERIAL SIZES	
TOP RAIL	= STANDARD MOLDED TOP
BOTTOM RAIL	= CHANNEL 1" X 1/2" X 1/8"
POSTS	= 1" SOLID SQUARE BAR
PICKETS	= 1/2" SQ. BAR

SHOP PAINT:
EPOXY PRIME
BLACK URETHAN ENAMEL

Revisions	Date

BADGER RAILING
3880 W. MILWAUKEE ROAD
MILWAUKEE, WI 53208
414.672.6090
414.672.8700 (FAX)



Customer: SHARON APARTMENTS
Project: SCHUH RES.
3830 W. KILBOURN AVE.

Job No	14104
Date	9/26/25
Drawn	Approved
AMB	
Sheet	101 of