



Date: March 30th 2017,

To: City Plan Commission of Milwaukee
City of Milwaukee
Milwaukee, WI
53202

Purpose: Marquette University - Valley Field Planned Development Agreement
Milwaukee Common Council File: 161712

To Whom It May Concern,

We are requesting a minor modification to the Detailed Planned Development (DPD) known as Valley Fields to allow signage on the Seasonal Air Supported Structure (ie dome). This DPD was established by the Common Council on May 30, 2007 as file no. 070057 to permit the outdoor recreation facility, and subsequently amended on July 27, 2010 as file no. 100188 to allow construction of a new soccer team facility to the east of the existing grandstand. Most recently, a minor modification to the DPD was approved on July 2, 2013 as file no. 130371 to permit construction of new spectator seating.

The intent of the minor modification is to allow for the university to place banners on the Seasonal Air Supported Structure during the period that the structure is inflated and utilized by the University. The banners would be connected/interlaced with the fabric of the dome system per the manufacturer's requirements.

The Seasonal Air Supported Structure will be erected yearly in mid/late fall and decommissioned each spring. By code, the structure cannot be utilized for more than 180days. During this period of time, a MU-Marquette banner will be placed on the North and East elevations. The intent will be to utilize focused LED spotlights to illuminate the banners during the evening and early morning hours.

The current Planned Development Agreement for Valley Fields limits the type/size of signage and fabric banners. The manufacturer of the structure is able to provide a banner display area approximately 30feet x 30feet which can be integrated onto the exterior of the dome fabric. We

have included initial renderings of the banners for the North and East elevations noting the approximate size of the banners.

We truly appreciate your consideration regarding the proposed minor modification for the banners with the seasonal air supported structure (ie dome).

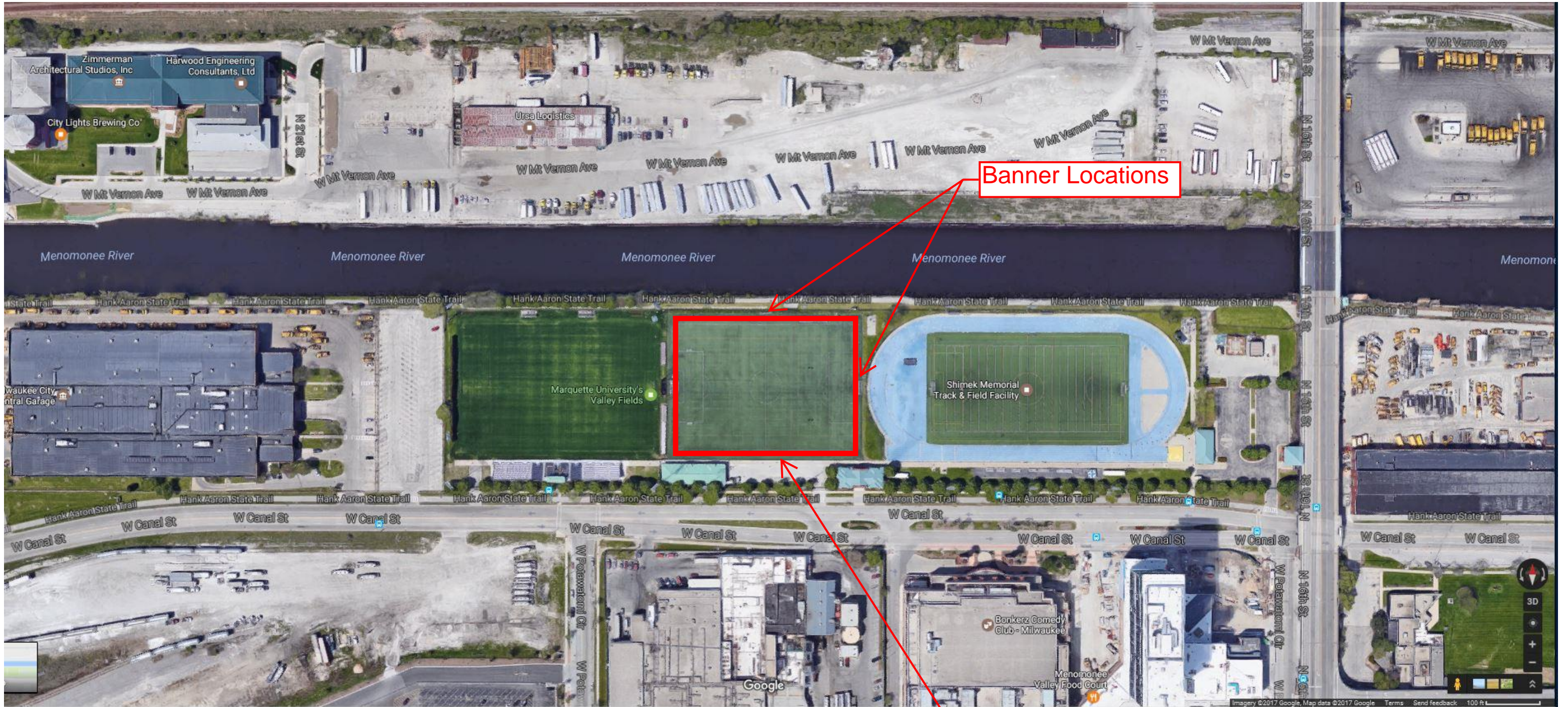
Sincerely,

Joel Smullen AIA
Project Manager
Marquette University
Facilities Planning and Management

Marquette University Seasonal Air Supported Structure

March
2017

Milwaukee Common Council File: 161712



Banner Locations

Seasonal Air Supported Structure

GENERAL NOTES

1. THE BASE SURVEY WAS PREPARED BY GRAEF IN SEPTEMBER 2015. ALL UNDERGROUND UTILITIES AND STRUCTURES HAVE BEEN SHOWN TO A REASONABLE DEGREE OF ACCURACY AND IT SHALL BE THE CONTRACTOR'S RESPONSIBILITY TO VERIFY THEIR EXACT LOCATION AND TO AVOID DAMAGE THERETO.
2. EXERCISE CAUTION WHILE PERFORMING WORK TO AVOID DAMAGING EXISTING UNDERGROUND UTILITIES SUCH AS DRAIN TILE, STORM SEWER, SANITARY SEWER, WATER MAIN, IRRIGATION PIPING, COMMUNICATION DUCT BANKS, AND ELECTRICAL LINES.
3. REFER TO SHEET C001 FOR BENCHMARKS, ELEVATION DATUM, AND TOPOGRAPHIC ELEMENTS.
4. REVIEW AND IMPLEMENT PROCEDURES AS DESCRIBED IN SPECIFICATION SECTION 02 81 80 EXCAVATION, REMOVAL AND MANAGEMENT OF CONTAMINATED SOIL.
5. EXISTING WATER VALVES AND SPRINKLER CONTROL BOXES ARE PART OF SITE IRRIGATION SYSTEM. IRRIGATION PIPING IS LIKELY TO BE ENCOUNTERED DURING EXCAVATION AND SHOULD BE REPAIRED TO MATCH EXISTING CONDITIONS.
6. CONTRACTOR SHALL EXERCISE EXTREME CARE WHEN RUNNING EQUIPMENT OVER EXISTING TURF TO REMAIN AND EXISTING POROUS ASPHALT PAVEMENT TO AVOID DAMAGE THERETO. CONTRACTOR SHALL OBTAIN AND FOLLOW FIELD TURF VENDOR GUIDELINES FOR USE OF EQUIPMENT ON TURF TO REMAIN.

LAYOUT NOTES

1. THE DOME OUTLINE SHOWN IS FOR REFERENCE PURPOSES ONLY AND SHALL NOT BE USED FOR STAKING PURPOSES. THE CONTRACTOR SHALL COORDINATE WITH THE DOME VENDOR AND STRUCTURAL ENGINEERING DRAWINGS ON EXACT DOME FOUNDATION DIMENSIONS.
2. RE-INSTALL SALVAGED CHAIN LINK FENCE IN ALIGNMENT WITH EXISTING CHAIN LINK FENCING. REQUIRED REPLACEMENT CHAIN LINK FENCING AND POSTS SHALL MATCH THE EXISTING CHAIN LINK FENCING AND POSTS.
3. THE FENCING LAYOUT SHOWN IS SCHEMATIC AND THE FENCING CONTRACTOR SHALL BE RESPONSIBLE FOR FINAL DESIGN. THE FENCING CONTRACTOR SHALL PROVIDE SHOP DRAWINGS TO THE ENGINEER FOR REVIEW AND APPROVAL PRIOR TO COMMENCING WORK. SHOP DRAWINGS SHALL INDICATE FENCE LAYOUT, SPACING OF COMPONENTS, POST FOUNDATION DETAILS, HARDWARE ANCHORAGE, AND SCHEDULE OF COMPONENTS.
4. REFER TO STRUCTURAL DRAWINGS FOR DETAILED DESIGN INFORMATION ON THE RECESSED CONCRETE STOOPS, CONCEALED PERIMETER GRADE BEAM, AND THE CONCRETE MECHANICAL EQUIPMENT PADS.
5. REFER TO ARCHITECTURAL DRAWINGS FOR DETAIL INFORMATION ON EMERGENCY EGRESS PATHWAYS AND ASSOCIATED MODIFICATIONS.
6. REFER TO MECHANICAL AND ELECTRICAL DRAWINGS FOR DETAILED DESIGN INFORMATION ON THE AIR HANDLING UNITS AND THE EMERGENCY GENERATOR, RESPECTIVELY.
7. ALL FIELD TURF REMOVAL AND REINSTALLATION SHALL BE COORDINATED WITH AND CONDUCTED BY THE FIELD TURF VENDOR. LIMITS SHOWN ARE APPROXIMATE AND SHALL BE DETERMINED BY VENDOR TO ALLOW FOR REMOVAL OF POROUS PAVEMENT, INSTALLATION OF FOOTINGS, AND FUTURE INSTALLATION AND REMOVAL OF DOME AND REQUIRED APPURTENANCES.
8. 9-FOOT MECHANICAL EQUIPMENT SCREEN FENCING SHALL BE INSTALLED AT THE PERIMETER OF THE PROPOSED MECHANICAL PADS. FENCE POSTS AND FABRIC SHALL MATCH EXISTING ON-SITE FENCE MATERIALS. GATES SHALL BE INSTALLED AS SHOWN WITH HARDWARE ALLOWING THEM TO BE SECURED. FENCE FABRIC SHALL ALSO RECEIVE PRIVACY SLATS OR MESH FABRIC TO MATCH EXISTING AS TO ALLOW FOR THE EQUIPMENT TO BE SCREENED.
9. THE WEST SIDE OF THE MECHANICAL EQUIPMENT SCREEN FENCING SHALL BE ABLE TO BE REMOVED/REINSTALLED TO ALLOW FOR CONNECTION/DISCONNECTION OF AIR HANDLING UNIT SUPPLY AND RETURN DUCTS TO THE DOME WHILE IT IS ERECTED/DOWN RESPECTIVELY.
10. FLUSH CONCRETE CURB SHALL MATCH THE EXISTING FLUSH CONCRETE CURB IN KIND. CONNECT THE NEW FLUSH CONCRETE CURB TO THE ADJACENT EXISTING FLUSH CONCRETE CURB, SIDEWALK, OR NEW GRADE BEAM RESPECTIVELY WITH EPOXY COATED REINFORCEMENT.
11. FURNISH AND INSTALL A NEW SYNTHETIC TURF NAILER BOARD TO THE NEW FLUSH CONCRETE CURB, THE CONCEALED PERIMETER GRADE BEAM, AND THE VEHICLE AIR LOCK SLAB PER THE CONSTRUCTION DETAILS.
12. IF THE DOCK WALL TIE BACKS INTERFERE WITH PROPOSED IMPROVEMENTS, CONTRACTOR SHALL NOTIFY THE ENGINEER FOR CLARIFICATION PRIOR TO COMMENCING REMAINDER OF WORK IN AREAS IN CONFLICT WITH THE DOCK WALL TIE BACKS.

ALTERNATE BID ITEMS

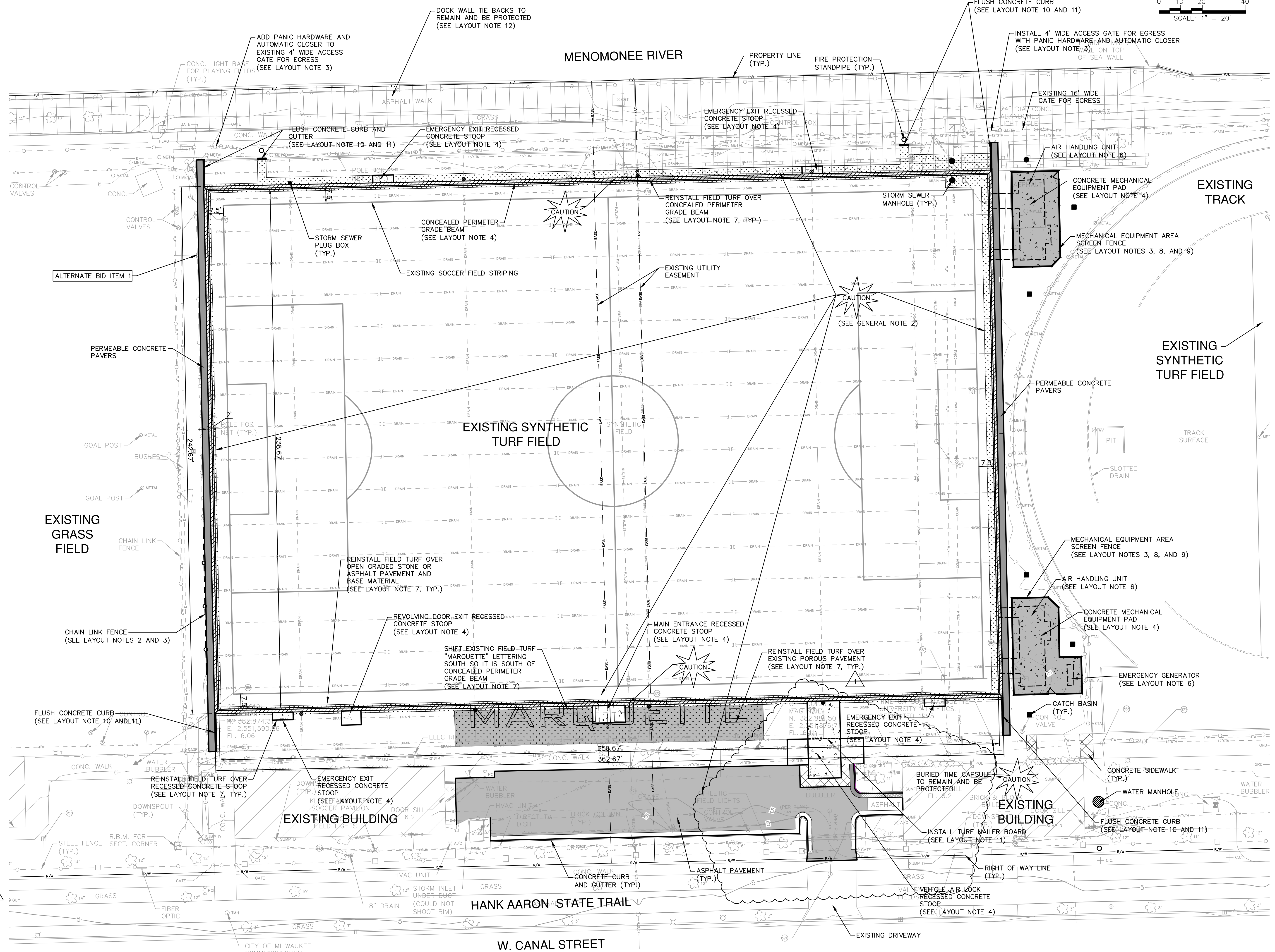
1. REMOVE CHAIN LINK FENCING AND GATES ALONG ENTIRE WEST SIDE OF FIELD AND REPLACE WITH NEW FENCING AND A ROLLING GATE TO BE LOCATED IN THE NORTHWEST CORNER. NEW CHAIN LINK FENCING, GATES, AND POSTS SHALL MATCH THE EXISTING CHAIN LINK FENCING AND POSTS.

LEGEND

- RECESSED CONCRETE STOOP REINSTALLED WITH FIELD TURF
- CONCEALED PERIMETER GRADE BEAM REINSTALLED WITH FIELD TURF
- REINSTALL FIELD TURF OVER OPEN GRADED STONE OR POROUS ASPHALT PAVEMENT
- REINSTALL FIELD TURF OVER EXISTING POROUS ASPHALT PAVEMENT
- CONCRETE MECHANICAL EQUIPMENT PAD
- ASPHALT PAVEMENT
- PERMEABLE CONCRETE PAVERS
- CONCRETE SIDEWALK
- FLUSH CONCRETE CURB
- CONCRETE CURB AND GUTTER
- FLUSH HIGHSIDE CONCRETE CURB AND GUTTER
- HIGHSIDE CONCRETE CURB AND GUTTER
- FLUSH CONCRETE CURB AND GUTTER
- CHAIN LINK FENCE
- STORM SEWER PLUG BOX
- CATCH BASIN
- STORM SEWER MANHOLE
- WATER MANHOLE
- STANDPIPE

RESTORATION NOTES

1. EXCAVATIONS TAKING PLACE WITHIN THE EXISTING SYNTHETIC TURF FIELD LIMITS SHALL BE BACKFILLED WITH OPEN GRADED STONE AS SPECIFIED AND RECEIVE SURFACE RESTORATION OF OPEN GRADED STONE OR POROUS ASPHALT PAVEMENT TO ALLOW FOR DRAINAGE OF PROPOSED GRADE BEAM CHANNELS AND BOX-OUTS AS SHOWN ON THE DOME VENDOR'S DRAWINGS FOR THE PROPOSED DOME AND FOUNDATION.
2. AREAS OUTSIDE OF THE EXISTING SYNTHETIC TURF FIELD LIMITS SHALL BE RESTORED WITH MATERIALS TO MATCH EXISTING, UNLESS OTHERWISE DIRECTED, AND IN ACCORDANCE WITH SPECIFICATION SECTION 32 01 00 - SITE RESTORATION.



NOTICE:
In accordance with Wisconsin statute 182.0175, damage to transmission facilities, excavator shall be solely responsible to provide advance notice to the designated "ONE CALL SYSTEM" not less than three working days prior to commencement of any excavation required to perform work contained on this drawing, and further, excavator shall comply with all other requirements of this statute relative to excavator's work.

DISCLAIMER:
The underground utilities shown have been located from field survey information and existing drawings. The surveyor makes no guarantee that the underground utilities shown comprise all such utilities in the area, either in service or abandoned. The surveyor further does not warrant that the underground utilities shown are in the exact location indicated although he does certify that they are located as accurately as possible from information available. The surveyor has not physically located the underground utilities.



**SINK
COMBS
DETHLEFS**
ARCHITECTURE DESIGN
475 Lincoln Street
Denver, CO 80203
Tel: 303-308-0200

Gräef
One Honey Creek Corporate Center
125 South 84th Street, Suite 401
Milwaukee, WI 53214-1470
414 / 259 1500
414 / 259 0037 fax

Milwaukee Common
Council File: 161712

Marquette University
Valley Field Dome

SCD Project No.: 1628

All information appearing herein shall not be duplicated, distributed or otherwise used without the written consent of SINK COMBS DETHLEFS.

Issues/Revisions:	Date:
PARTIAL PERMIT SET	08-19-16
100% CDs	09-20-16
CB #3	10-21-16

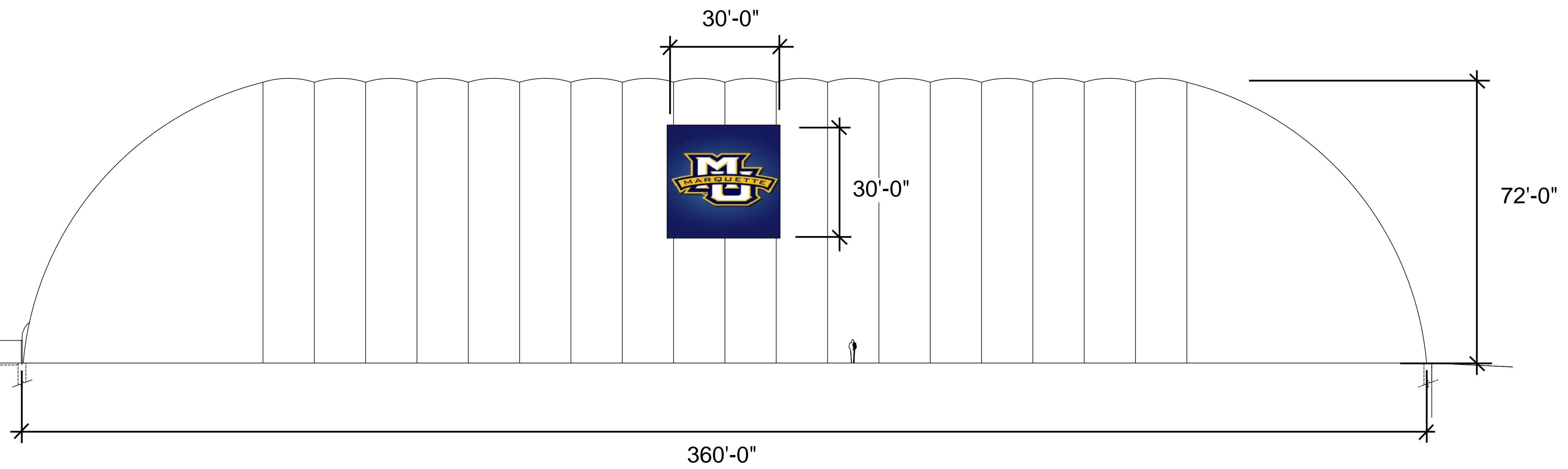
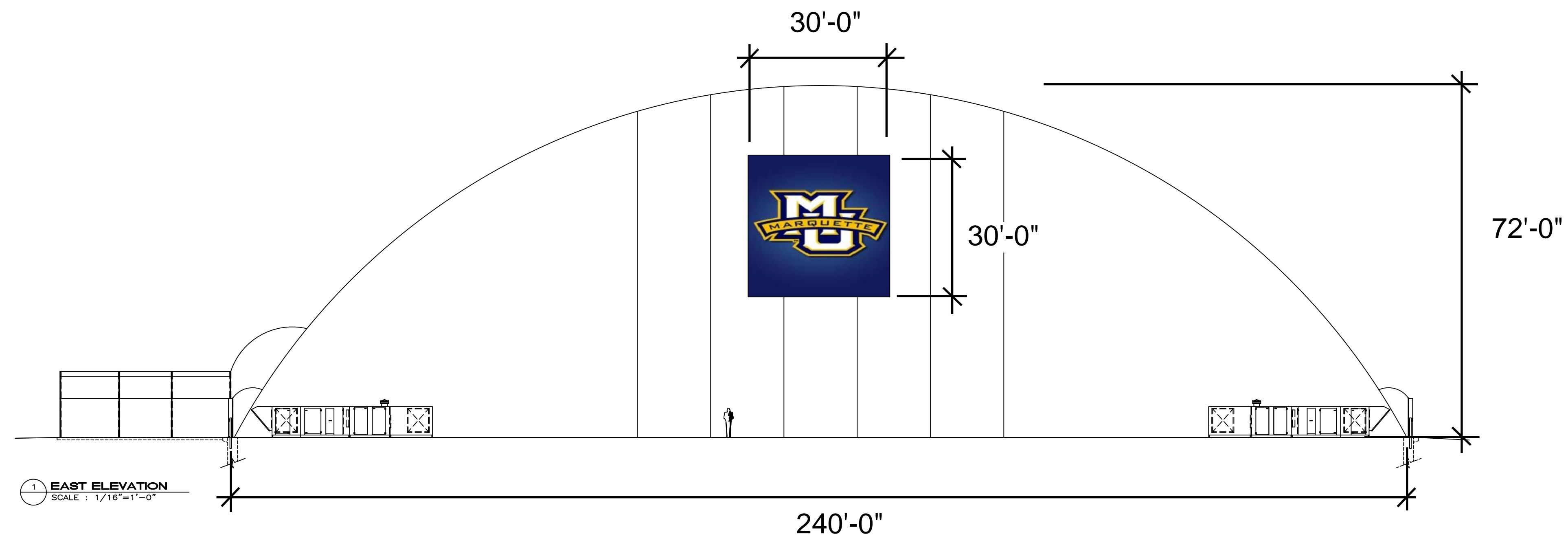
**SITE LAYOUT
PLAN**

C200

CP-100185
MAG NAIL
N. 382.724.49
E. 2,551,993.36



BANNER IMAGE



Milwaukee Common Council File: 161712

NO.	DESCRIPTION	DATE
REVISIONS:		

PROJECT:
MARQUETTE UNIVERSITY

PROJECT LOCATION:
MILWAUKEE, WI

DRAWING:
BANNERS CITY-OF-MILWAUKEE

SCALE:
AS-NOTED

DATE:
02/14/2017

DRAWN BY:
JS

APPROVED BY:
MU

PROJECT NO.:
-

DWG. NO.:
ELV-1



Spotlight Fixture For Evening Illumination Fixed to Netting Posts

1 EAST ELEVATION
SCALE : 1/16"=1'-0"



Spotlight Fixture For Evening Illumination Fixed to Light Poles

2 NORTH ELEVATION
SCALE : 1/16"=1'-0"

NO.	DESCRIPTION	DATE
REVISIONS:		

PROJECT:
MARQUETTE UNIVERSITY

PROJECT LOCATION:
MILWAUKEE, WI

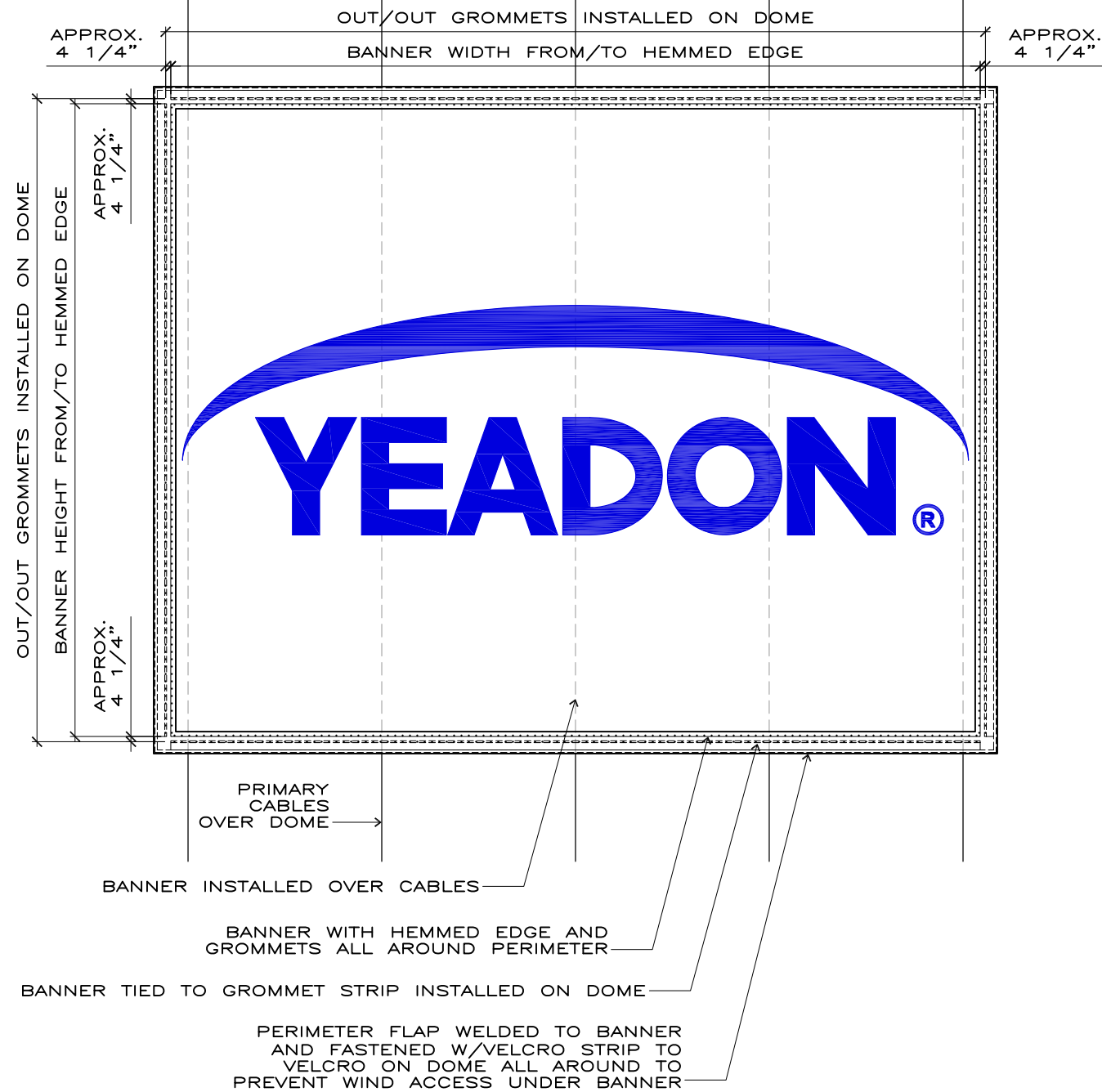
DRAWING:
BANNERS CITY-OF-MILWAUKEE

SCALE:
NOT-TO-SCALE

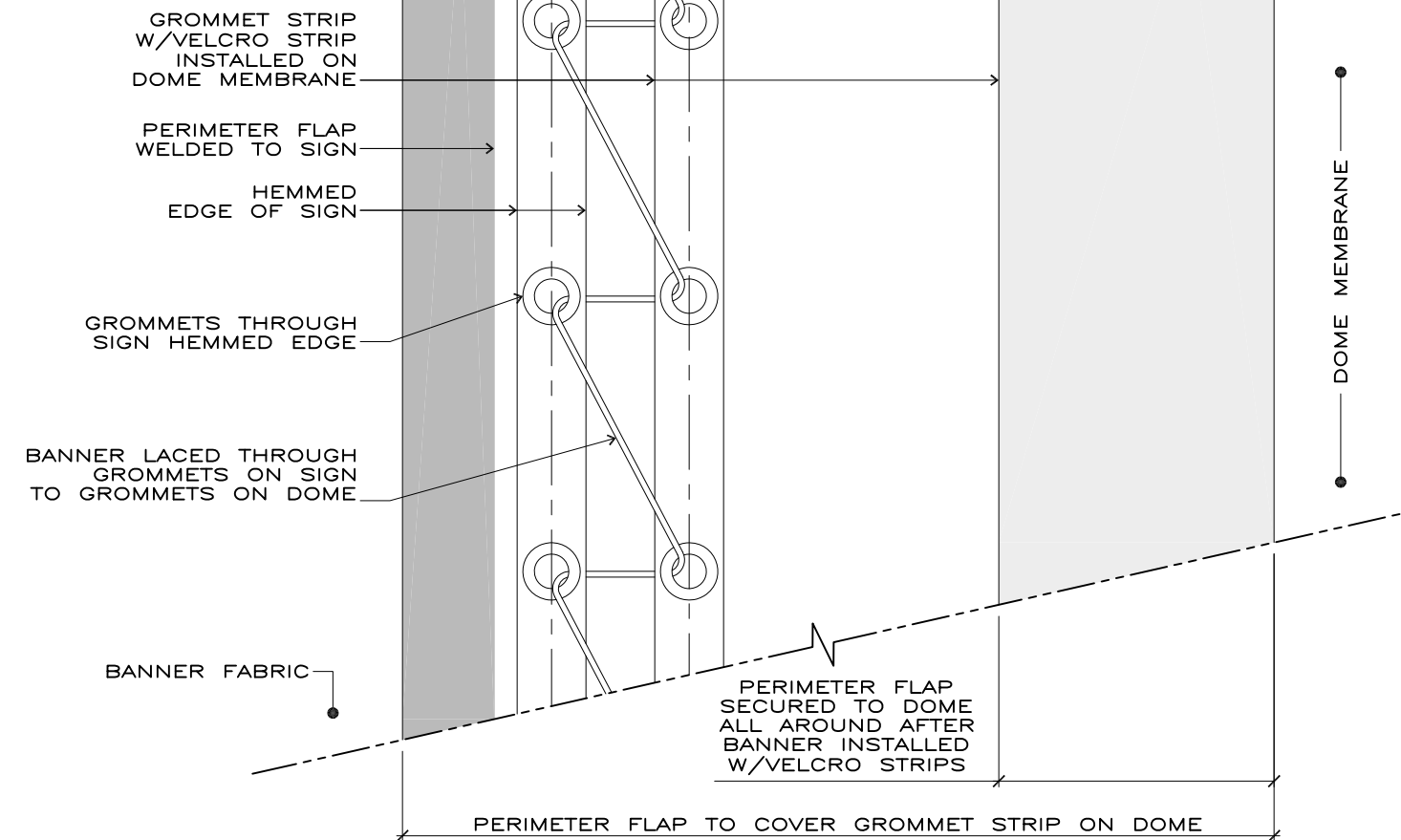
DATE:
02/14/2017

DRAWN BY: JS	APPROVED BY: MU
------------------------	---------------------------

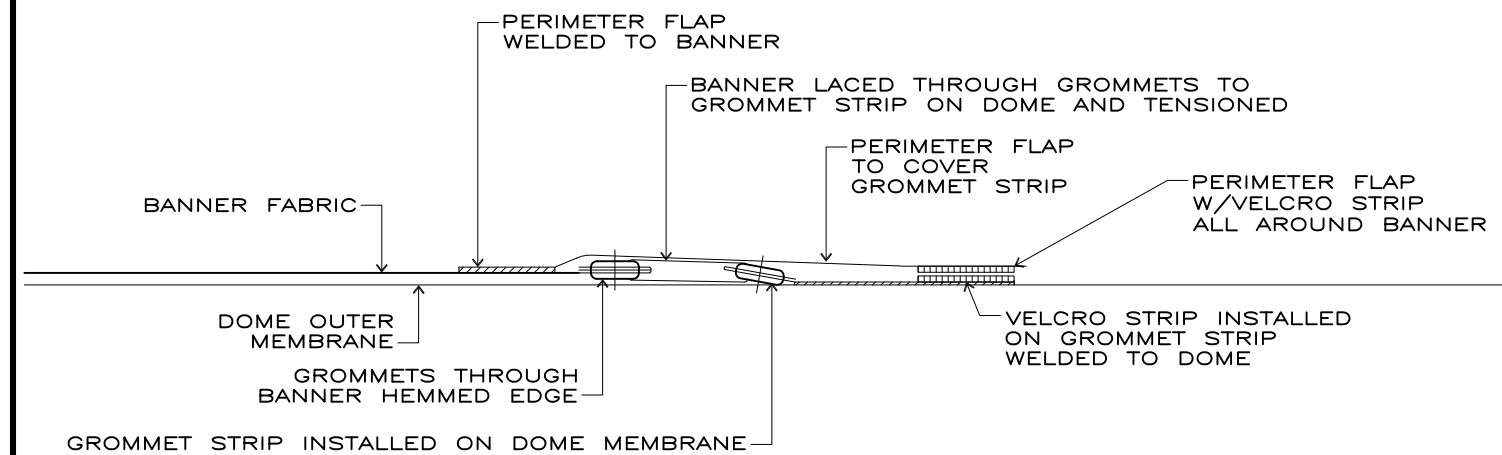
PROJECT NO.:	DWG. NO.:
-	ELV-2



1 BANNER INSTALLATION OVERVIEW
 SK1 SCALE : 3/32"=1'-0"



2 BANNER INSTALLATION-DETAIL
 SK1 SCALE : 3"=1'-0"



3 BANNER INSTALLATION-SECTION
 SK1 SCALE : 3"=1'-0"

REVISIONS:		
NO.	DESCRIPTION	DATE

DRAWING:
**BANNER INSTALLATION
 SEASONAL DOMES**

SCALE :
AS NOTED

DATE:

DRAWN BY:
D.K.

APPROVED BY:

PROJECT:

PROJECT LOCATION

PROJECT NO.:

YEADON®
 575 9th ST. E., SUITE 50, MINNEAPOLIS MN. 55414
 128 WOOLWICH ST, SUITE 201, GUELPH ONT. N1H 3V2

COPYRIGHT:
 YEADON FABRIC STRUCTURES LTD.
 THIS MATERIAL IS AN INSTRUMENT OF SERVICE
 AND SHALL REMAIN AT ALL TIMES THE
 PROPERTY OF YEADON FABRIC STRUCTURES
 LTD., REPRODUCTION OR REUSE OF THE
 MATERIAL CONTAINED HEREIN, OR ANY PART
 THEREOF, IS PROHIBITED WITHOUT THE
 WRITTEN CONSENT OF YEADON FABRIC
 STRUCTURES LTD., ALL INFORMATION SHOWN
 APPLIES TO THE DESIGNATED PROJECT ONLY.
 DRAWINGS SHALL NOT BE SCALED.

DWG. NO:
SK1