



LIVING WITH HISTORY

# Certificate of Appropriateness

Milwaukee Historic Preservation Commission/200 E. Wells Street/Milwaukee, WI 53202/phone 414-286-5712/fax 414-286-3004

**Property** 1039 W. HISTORIC MITCHELL ST.  
**Description of work** Sign reface as attached. Per discussion with sign designer, background black/bronze color will be opaque  
**Date issued** 3/16/2021 PTS ID 115095 COA: sign reface

In accordance with the provisions of Section 320-21 (11) and (12) of the Milwaukee Code of Ordinances, the Milwaukee Historic Preservation Commission has issued a certificate of appropriateness for the work listed above. The work was found to be consistent with preservation guidelines. The following conditions apply to this certificate of appropriateness:

N/A

All work must be done in a craftsman-like manner, and must be completed within one year of the date this certificate was issued. Staff must approve any changes or additions to this certificate before work begins. Work that is not completed in accordance with this certificate may be subject to correction orders or citations. If you require technical assistance, please contact [hpc@milwaukee.gov](mailto:hpc@milwaukee.gov).

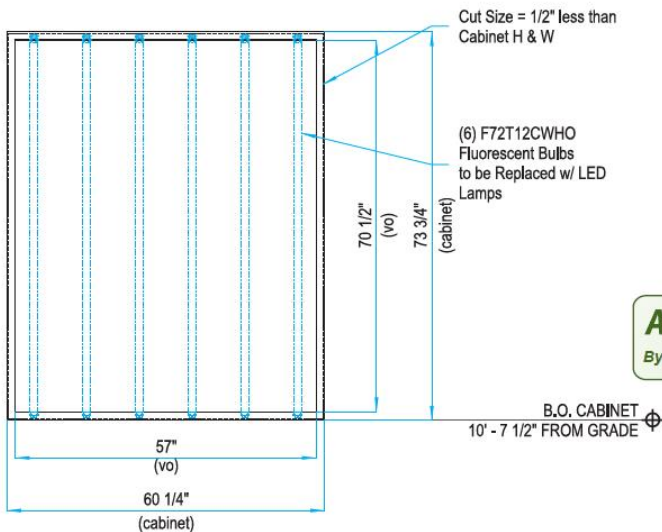
If permits are required, you are responsible for obtaining them from the Milwaukee Development Center. If you have questions about permit requirements, please consult the Development Center's web site, [www.milwaukee.gov/build](http://www.milwaukee.gov/build), or call (414) 286-8210.

City of Milwaukee Historic Preservation Staff

Copies to: Development Center, Ald. Jose Perez, Contractor , Inspector Scott Golembiewsi (286-2553)

**SURVEY MEASURES - EXTERIOR 2-SIDED CABINET**

1/2" = 1' - 0" SCALE

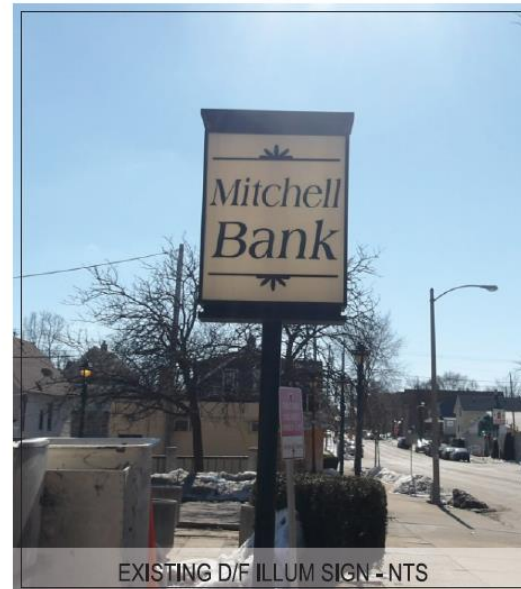


**COLOR SCHEDULE:**

- 3M 3630-127 'INTENSE BLUE' Translucent Vinyl Film 1st surface app
- 3M 3630-141 'GOLD NUGGET MET' Translucent Vinyl Film 1st surface app
- 3M 3630-69 'DURANODIC' Vinyl Film 1st surface app, Reverse-Weeded (Opt-B)
- .150" Thk White Polycarbonate Faces

**APPROVED**

By Tim Askin - Milwaukee HPC at 4:26 pm, Mar 16, 2021



**[13525-01] FIRST FED-MITCHELL ST. FACE-01 (Opt-B)**

(2) Req'd

1/2" = 1' - 0" SCALE

Fab/ install (2) 73.25"H X 59.75" x 0.150: Thk White Poly faces w/ 1st surface vinyl graphics.

Cabinet = 73.75" x 60.25"  
Est Cut Size = 73.25" x 59.75"  
V.O. = 70.5"  
Retainer = 1.5"  
Vinyl: (per color schedule)

BKGD OPTION IS  
3M 3630-69 DURANODIC VINYL FILM  
W/ WHITE OUTLINE AROUND  
FLAG AND HORIZONTAL LINES.  
LETTERS REV-WEEDED, IN WHITE

**[13525-03] FIRST FED-MITCHELL ST. RETRO**

Materials and labor to retro pylon sign to LED.

Replace: (6) Existing F72T12CWHO Fluorescent Bulbs with  
(6) Keystone 72" 31W 360° T8 LED Tube and  
(1) Keystone 10KV surge protector.

(2) REPLACEMENT .150" THK  
WHITE POLYCARBONATE FACES W/  
1ST SURFACE APPLIED VINYL FILM REQ'D

(6) KEYSTONE 72" 31W1 360° T8  
LED TUBE - (RETRO INCLUDES (1)  
KEYSTONE 10KV SURGE PROTECTOR)

