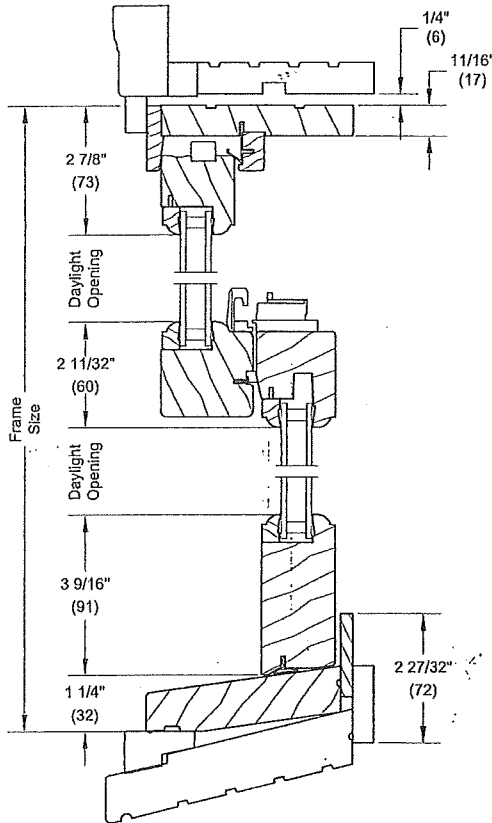


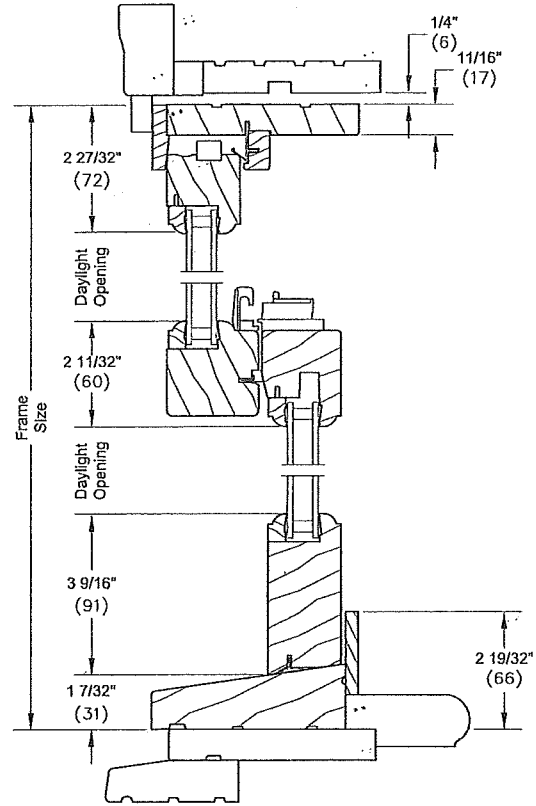
# Wood Ultimate Insert Double Hung

## Section Details: Operator

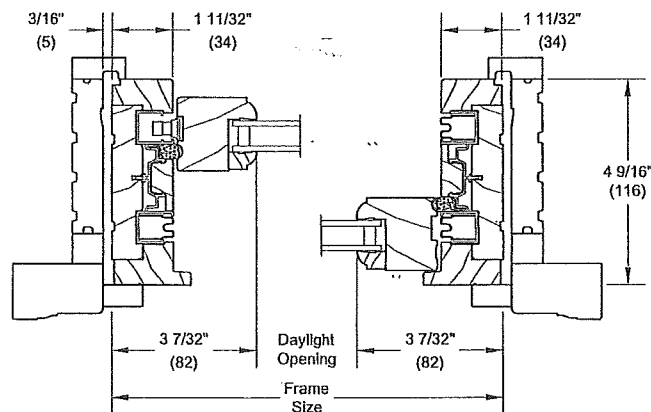
Scale: 3" = 1' 0"



Head Jamb, Checkrail, with Beveled Sill installed in existing frame



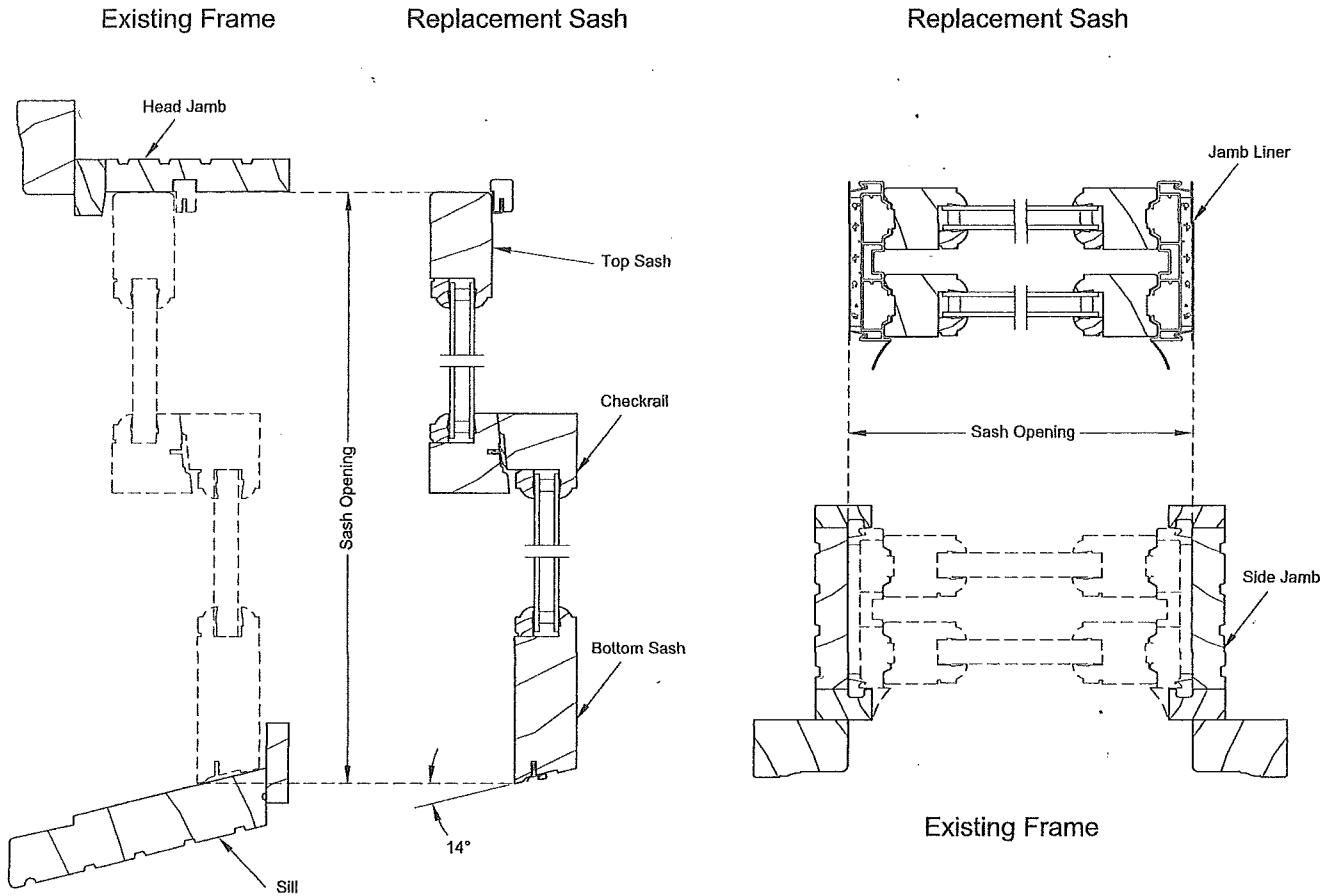
Head Jamb, Checkrail, with Flat Sill Option installed in existing frame



Jambs installed in existing frame

**Tilt Pac Measurements**

Scale: 3" = 1'0"



**Instructions:**

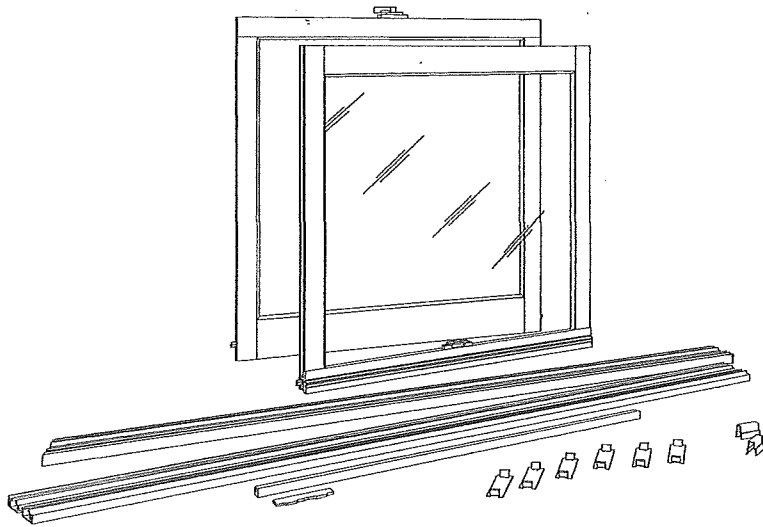
Follow these steps to measure an opening for Tilt Pac Replacement Sash

1. To find the sash opening height:  
If the old window has Wood blocks holding the top sash in place, remove them. Lower the top sash for measuring clearance, then measure the height of the window from where the top sash meets the head jamb to where the bottom sash meets the sill when the bottom sash is fully closed.
2. To find the sash opening width:  
Take an inside measurement of the frame from jamb to jamb.
3. To find the sill angle:  
Raise the bottom sash and place a carpenter's protractor on the sill, the angle will register. Marvin's standard bottom rail is 14 degrees, other angles must be specified.

*NOTE: Double Hung sash shown above. Instructions and measuring locations apply to Single Hung, Magnum Double / Single Hung sash.*

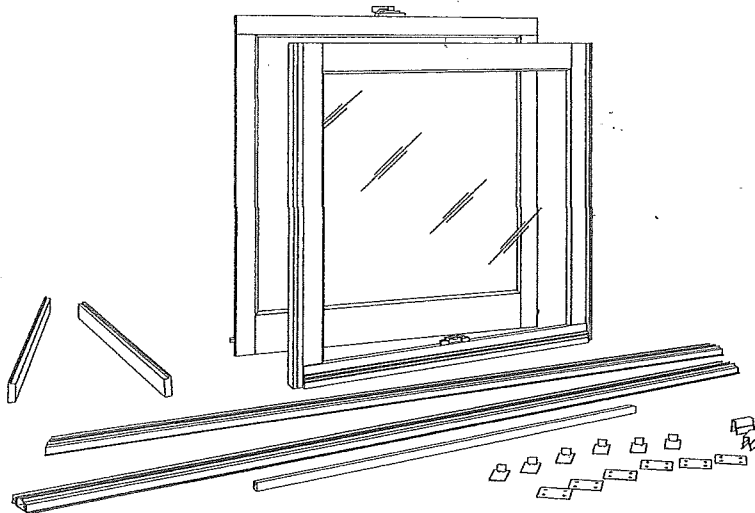
**Double Hung Tilt Pac Parts List**

Double Hung Tilt Pac



- A. Top Sash
- B. Bottom Sash
- C. Cam Pivots
- D. Left Vinyl Jamb Liner
- E. Right Vinyl Jamb Liner
- F. Head Jamb Part Stop
- G. Two Plastic Sash Stops
- H. Metal Brackets (quantity varies)
- I. Two foam gaskets

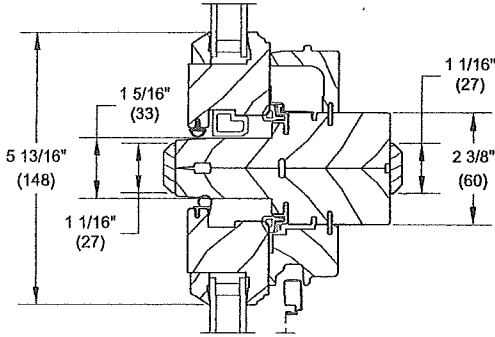
Single Hung Tilt Pac



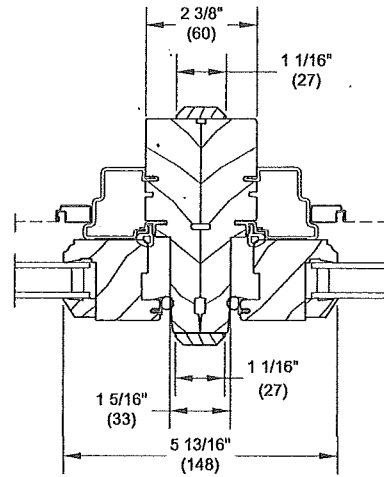
- A. Top Sash
- B. Bottom Sash
- C. Cam Pivots
- D. Left Vinyl Jamb Liner
- E. Right Vinyl Jamb Liner
- F. Head Jamb Part Stop
- G. Two Plastic Sash Stops
- H. Metal Brackets (quantity varies)
- I. Stationary Sash Bracket (quantity r
- J. Sash Filler
- K. Sash Opening Filler

**Section Details: Full Frame Mullion Options**

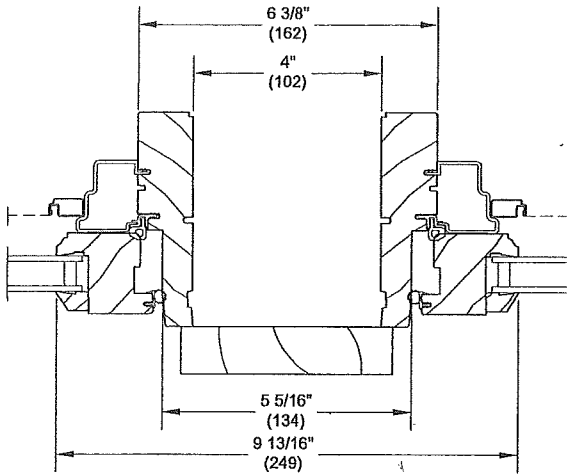
Scale: 3" - 1' 0"



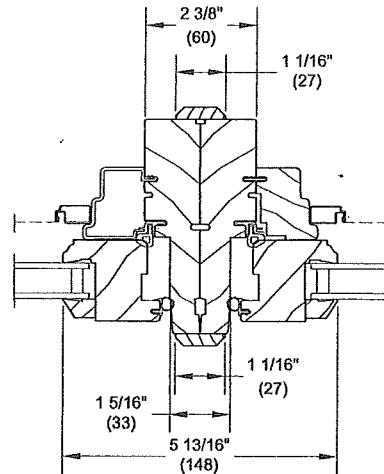
Horizontal Mullion - Stationary/Operator



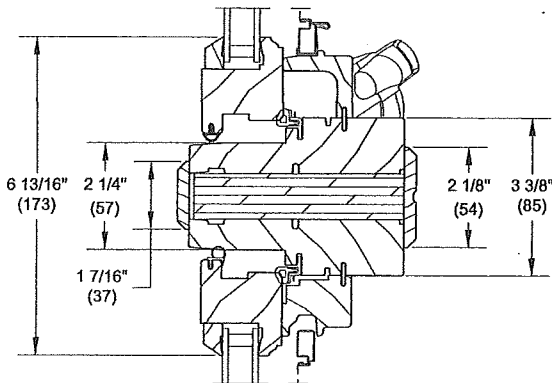
Vertical Mullion-Operator/Operator/Direct Mull



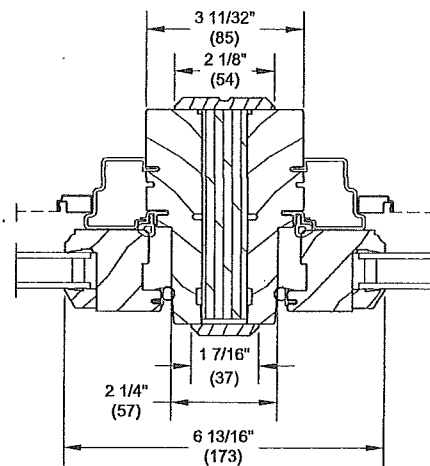
Vertical Mullion - with 4" Space Mull  
Operator/Operator



Vertical Mullion - Operator/Picture/Direct Mull



Vertical Mullion - LVL Operator/Operator

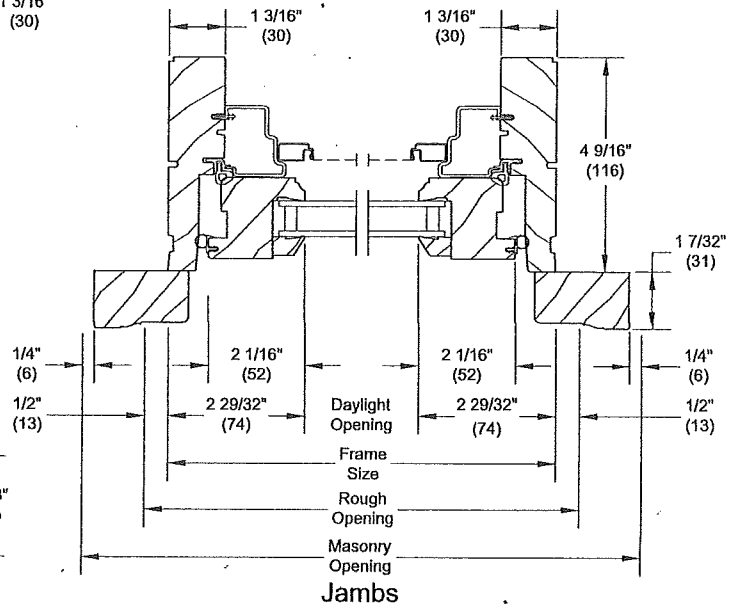
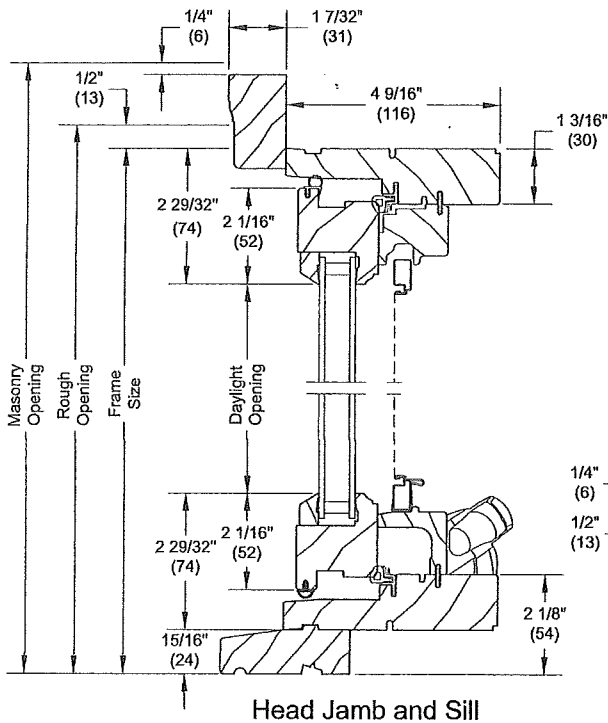


Vertical Mullion - LVL Operator/Operator

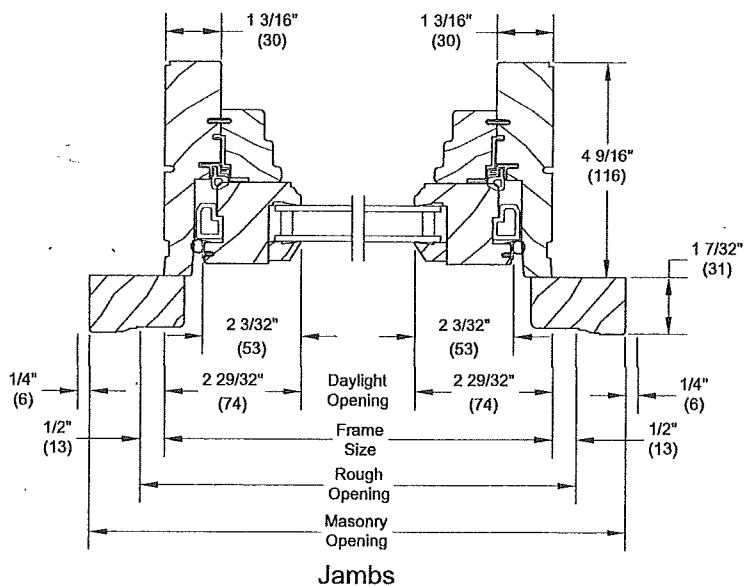
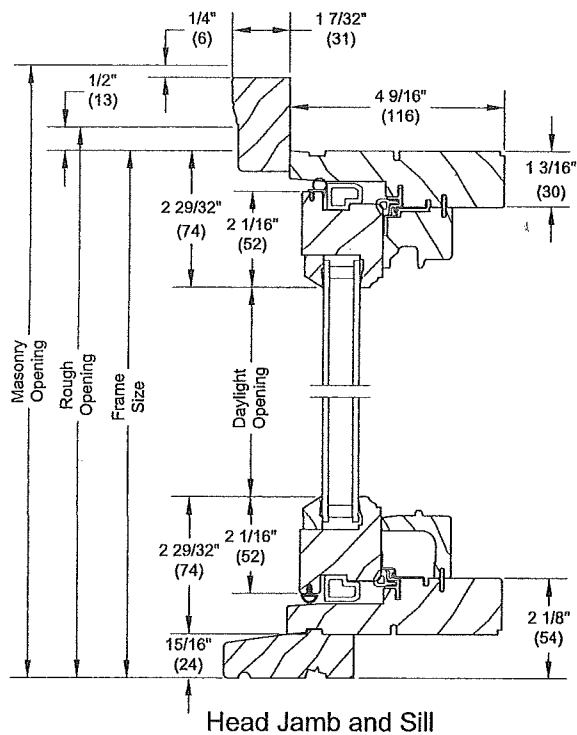
**Section Details: Operating and Stationary / Picture - 3/4" (19) IG**

Scale: 3" = 1' 0"

**Operating**



**Stationary**



## UNIT SUMMARY

The following is a schedule of the windows and doors for this project. For additional unit details, please see Line Item Quotes.

Additional charges, tax or Terms and Conditions may apply. Detail pricing is per unit.

⊗ Lines with Errors Exist on Project - Unit Pricing is not Valid

NUMBER OF LINES: 30                      TOTAL UNIT QTY: 59                      EXT NET PRICE: USD    35,379.35

LINE	MARK UNIT	BRAND	ITEM	NET PRICE	QTY	EXTENDED NET PRICE
1	DR/LR	Marvin	Wood Ultimate Insert Double Hung IO 24" X 67 3/4" Entered as Inside Opening 24" X 67 3/4"	691.92	4	2,767.68
2	DR/LR	Marvin	Wood Ultimate Insert Double Hung IO 40" X 67 3/4" Entered as Inside Opening 40" X 67 3/4"	811.78	2	1,623.56
3	LR/Library	Marvin	Wood Ultimate Insert Double Hung IO 48" X 67 3/4" Entered as Inside Opening 48" X 67 3/4"	928.78	2	1,857.56
4	Hall	Marvin	Wood Double Hung Tilt Pac CN 2426  Entered as Sash Opening 28" X 58"	886.43	1	886.43
5	Kitchen	Marvin	Wood Ultimate Insert Double Hung IO 34" X 65 3/4" Entered as Inside Opening 34" X 65 3/4"	747.18	1	747.18
6	Kitchen	Marvin	Wood Ultimate Insert Double Hung IO 34" X 57 3/4" Entered as Inside Opening 34" X 57 3/4"	729.96	1	729.96
7	DR	Marvin	Wood Ultimate Insert Double Hung IO 34" X 57 3/4" Entered as Inside Opening 34" X 57 3/4"	691.92	1	691.92
8	Bed 3/Mstr Bed	Marvin	Wood Ultimate Insert Double Hung IO 34" X 65 3/4" Entered as Inside Opening 34" X 65 3/4"	747.18	2	1,494.36
9	Bed 3/Mstr Bed/Mstr Bath	Marvin	Wood Ultimate Insert Double Hung IO 32" X 65 3/4" Entered as Inside Opening 32" X 65 3/4"	747.18	5	3,735.90
10	Dressing Room	Marvin	Wood Ultimate Insert Double Hung IO 34" X 65 3/4" Entered as Inside Opening 34" X 65 3/4"	747.18	2	1,494.36
11	Reading Nook east	Marvin	Wood Marvin Assembly RO 61" X 72 9/16" Entered as Size by Units	2,893.25	1	2,893.25
12	Reading Nook	Marvin	Wood Marvin Assembly RO 81" X 72 9/16" Entered as Size by Units	3,783.28	1	3,783.28

13	Landing	Marvin	Wood Ultimate Insert Double Hung IO 34" X 65 3/4" Entered as Inside Opening 34" X 65 3/4"	709.14	2	1,418.28
14	Bed 4	Marvin	Wood Ultimate Insert Double Hung IO 34" X 65 3/4" Entered as Inside Opening 34" X 65 3/4"	709.14	2	1,418.28
15	3rd Floor Landing temp	Marvin	Wood Double Hung Tilt Pac Entered as Sash Opening 34" X 50 1/8"	1,034.27	2	2,068.54
16	3rd Floor Bath temp	Marvin	Wood Double Hung Tilt Pac Entered as Sash Opening 34" X 50 1/8"	896.47	1	896.47
17	3rd Floor East	Marvin	Wood Double Hung Tilt Pac Entered as Sash Opening 34" X 50 1/8"	691.91	1	691.91
18	3rd Floor North	Marvin	Wood Double Hung Tilt Pac Entered as Sash Opening 34" X 50 1/8"	665.36	2	1,330.72
19	3rd Floor North	Marvin	Wood Double Hung Tilt Pac Entered as Sash Opening 16" X 60"	797.42	1	797.42
20	Bath 1 temp	Marvin	Wood Double Hung Tilt Pac Entered as Sash Opening 40" X 60"	742.88	1	742.88
21	DR, LR screen	Marvin	Configured Part for: Wood Ultimate Double Hung Entered as OM 24" X 69"	123.45	4	493.80
22	DR, LR screen	Marvin	Configured Part for: Wood Ultimate Double Hung Entered as OM 40" X 69"	150.72	2	301.44
⊗23	LR, Library screen	Marvin	Configured Part for: Wood Ultimate Double Hung Entered as OM 48" X 69"	164.36	2	328.72
24	Kitchen south screen	Marvin	Configured Part for: Wood Ultimate Double Hung Entered as OM 34" X 67"	138.52	1	138.52
25	Kitchen, DR west screen	Marvin	Configured Part for: Wood Ultimate Double Hung Entered as OM 34" X 59"	132.06	2	264.12
26	Bed 3, master bed screen	Marvin	Configured Part for: Wood Ultimate Double Hung Entered as OM 34" X 67"	138.52	2	277.04
27	Bed 3, master bed screen	Marvin	Configured Part for: Wood Ultimate Double Hung	134.93	4	539.72

28	Master bath screen	Marvin	Entered as OM 32" X 67" Configured Part for: Wood Ultimate Double Hung	134.93	1	134.93
29	dressing room screen	Marvin	Entered as OM 32" X 67" Configured Part for: Wood Ultimate Double Hung	138.52	2	277.04
30	Landing, Bed 4 screen	Marvin	Entered as OM 34" X 67" Configured Part for: Wood Ultimate Double Hung	138.52	4	554.08
			Entered as OM 34" X 67"			