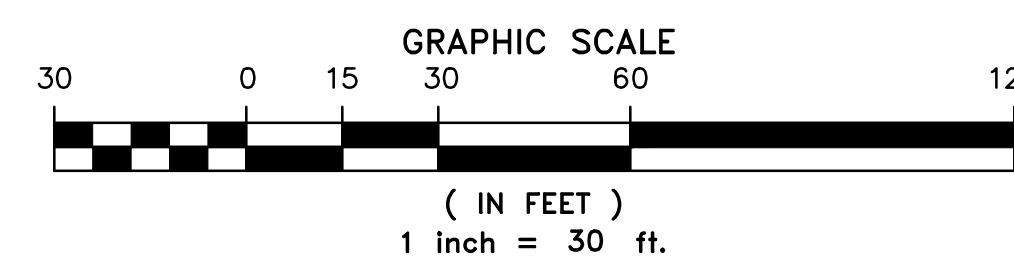
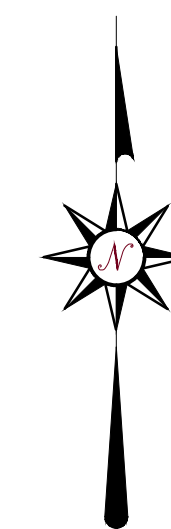
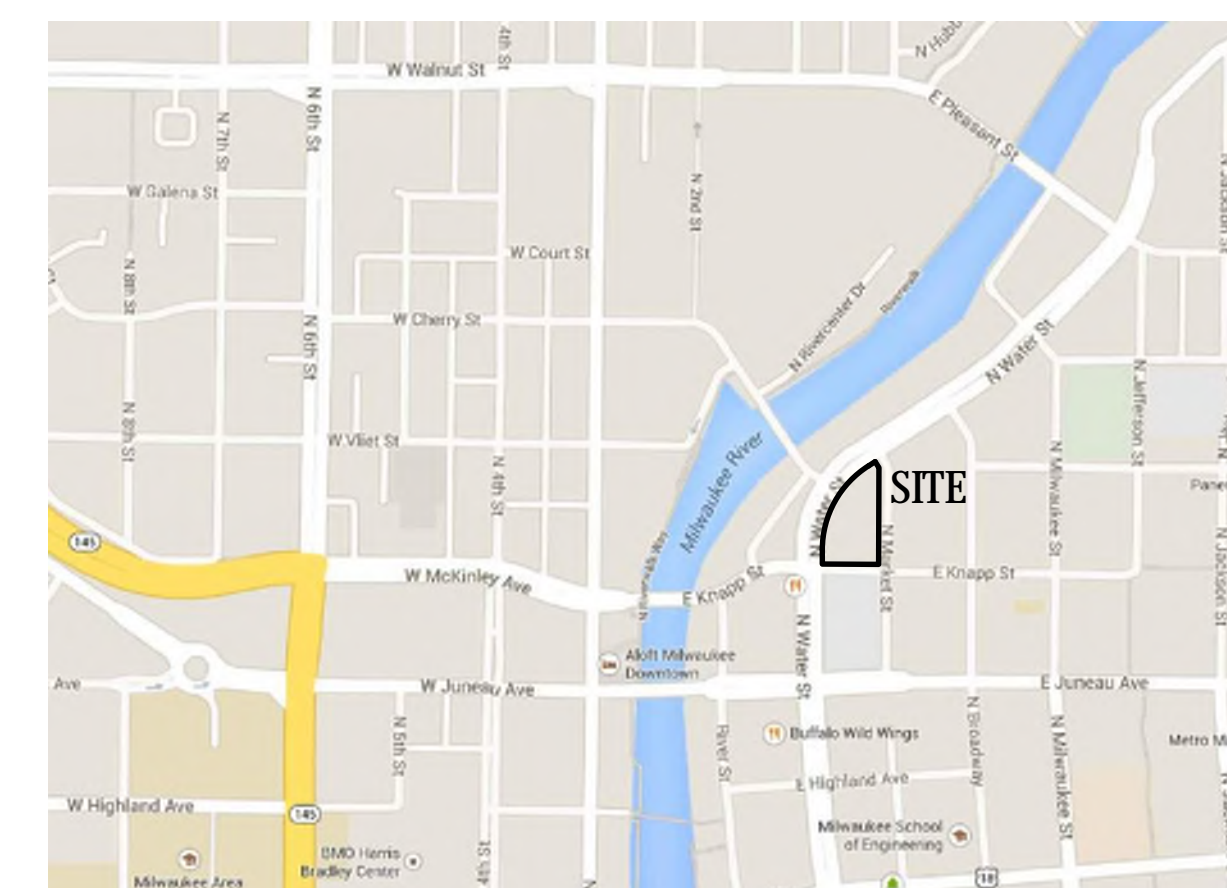


ALTA/ACSM LAND TITLE SURVEY

LEGEND

● INDICATES FOUND 1" IRON PIPE	☐ TELEPHONE PEDESTAL
○ INDICATES SET 1" IRON PIPE	☐ CABLE PEDESTAL
⊕ INDICATES FOUND CHISELED CROSS	☐ CONTROL BOX
⊙ SANITARY MANHOLE	☐ FIBER OPTIC SIGN
⊙ SANITARY CLEANOUT OR VENT	⊕ TRAFFIC LIGHT
⊙ M.S. MANHOLE	⊙ COMMUNICATION MANHOLE
⊙ UNKNOWN MANHOLE	○ BOLLARD
⊙ STORM MANHOLE	⊕ SOIL BORING/MONITORING WELL
⊙ INLET (ROUND)	⊕ WATER SURFACE
⊙ INLET (SQUARE)	⊕ WETLANDS FLAG
⊙ STORM SEWER END SECTION	⊕ MARSH
⊙ GAS VALVE	⊕ FLAGPOLE
⊙ GAS METER	⊕ PARKING METER
⊙ WATER VALVE	⊕ SIGN
⊙ HYDRANT	⊕ MAILBOX
⊙ WATER MANHOLE	⊕ RAILROAD CROSSING SIGNAL
⊙ WATER SERVICE CURB STOP	⊕ HANDICAP SPACE
⊙ WELL HEAD	⊕ CONIFEROUS TREE
⊙ STAND PIPE	⊕ DECIDUOUS TREE
⊙ WALL INDICATOR VALVE	— SANITARY SEWER
⊙ POST INDICATOR VALVE	— STORM SEWER
⊙ LIGHT POLE	— WATERLINE
⊙ SPOT/YARD LIGHT	— MARKED GAS MAIN
⊙ UTILITY POLE	— MARKED ELECTRIC
⊙ GUY POLE	— OVERHEAD WIRES
⊙ GUY WIRE	— MARKED TELEPHONE
⊙ ELECTRIC MANHOLE	— MARKED CABLE TV LINE
⊙ ELECTRIC PEDESTAL	— MARKED FIBER OPTIC
⊙ ELECTRIC METER	— FENCE
⊙ TELEPHONE MANHOLE	

VICINITY MAP



CLIENT

Hammes Co.

SITE ADDRESS

210 East Knapp Street, City of Milwaukee, Milwaukee County, Wisconsin.

LEGAL DESCRIPTION

Lot 3 of Certified Survey Map No. 8429, recorded on March 23, 2012, as Document No. 10097036, being a division of a part of Lots 1 thru 6 inclusive in Block 145, part of Block 146, Lots 2, 3, 4 and 5, also part of Lot 1 and Lots 6 thru 12 inclusive in Block 149 and Lots 8 thru 12 inclusive and part of Lots 1 thru 7 inclusive in Block 150, in Part of Southeast Fraction of Section No. 20, in the Southeast 1/4 of Section 20, Town 7 North, Range 22 East, in the City of Milwaukee, Milwaukee County, Wisconsin.

BASIS OF BEARINGS

Bearings are referenced to the Wisconsin State Plane Coordinate System (South Zone), in which the South line of

TITLE COMMITMENT

This survey was prepared based on First American Title Insurance Company Commitment No. NCS-707215-MKE, effective date of December 05, 2014 which lists the following easements and/or restrictions from schedule B-II:

2 & 3 visible evidence shown, if any.

1, 4, 5, 6, 7, 12 & 13 not survey related.

8. Covenants, conditions and restrictions (but omitting any such covenant, condition or restriction based on race, color, religion, sex, handicap, familial status, or national origin, unless and only to the extent that said covenant (a) is exempt under Chapter 42, Section 3607 of the United States Code, or (b) relates to handicap but does not discriminate against handicapped persons) set forth in Warranty Deed recorded as Document No. 6106495, providing for no forfeiture or reversion of title in case of violation. **Affects site by location, shown.**

9. Rights of the City of Milwaukee and the Redevelopment Authority of the City of Milwaukee by reason of the fact that the subject premises are included in the Redevelopment Plan for Park East Development Project. A certified copy of said Redevelopment Plan with accompanying approval resolutions of the Common Council of the City of Milwaukee and the Redevelopment Authority of the City of Milwaukee was recorded on August 11, 2004 as Document No. 8841218, together with Redevelopment Plan Amendment No. 1 recorded October 11, 2004, as Document No. 8881122, Redevelopment Plan Amendment No. 2 recorded June 10, 2005, as Document No. 9026368, Redevelopment Plan Amendment No. 3 recorded February 28, 2006, as Document No. 9191015, and Redevelopment Plan Amendment No. 4 recorded May 12, 2011, as Document No. 9995805. Affidavit for the Redevelopment Authority of the City of Milwaukee recorded March 26, 2012 as Document No. 10097701. **Affects site by location.**

10. Easements and restrictions as shown on the plat of Certified Survey Map No. 8429, recorded on March 23, 2012, as Document No. 10097036. **Affects site by location, shown.**

11. Deed restriction contained in Quit Claim Deed recorded on March 23, 2012 as Document No. 10096851. **Affects site by location, shown.**

PARKING SPACES

There are no parking spaces marked on this site.

flood note

According to the flood insurance rate map of the County of Milwaukee, Community Panel No. 55079C0091E, effective date of September 26, 2008, this site falls in Zone X (Areas determined to be outside the 0.2% annual chance floodplain).

MUNICIPAL ZONING

Site is zoned: PD (Planned Development)
Building Setback Requirements: Knapp Street - 6 feet (Site Plan) and Water & Market Streets - 0 feet (Site Plan)
Maximum Building Height or Stories: no requirement noted
Parking Spaces Required: 173 required parking (Site Plan)
Per Zoning Compliance Report from Commercial Due Diligence Services.

LAND AREA

The Land Area of the subject property is 67,735 square feet or 1.5550 acres.

TABLE "A" ITEMS

11(b). Utility lines are shown from visible surface evidence, municipal plans and from plans and markings provided by Diggers Hotline, the One-call Utility Marking System (Wisconsin Statute 182.0175. This survey represents the underground utilities that participated with the request and were marked on the time of the survey. Additional utilities may exist, but were non-responsive to the request.

NOTES

Site was snow covered at the time of the survey.

TO: Milwaukee River Partners I, LLC
HFIV, LLC
First American Title Insurance Company

This is to certify that this map or plat and the survey on which it is based were made in accordance with the 2011 Minimum Standard Detail Requirements for ALTA/ACSM Land Title Surveys, jointly established and adopted by ALTA and NSPS, and includes Items 1, 2, 3, 4, 6(a), 6(b), 7(a), 7(b), 7(c), 8, 9, 11(b) and 21 of Table A thereof. The field work was completed on February 20, 2015.

Date of Map: February 23, 2015
Date of Revision: March 9, 2015
June 18, 2015



Donald C. Chaput
Donald C. Chaput
Professional Land Surveyor
Registration Number S-1316

PROJECT INFORMATION

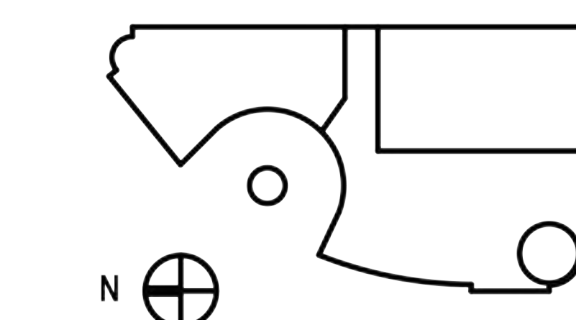
MILWAUKEE OFFICE BUILDING

210 E. Knapp Street
Milwaukee, WI

ISSUANCE

DPD SUBMITTAL

KEY PLAN



SHEET INFORMATION

PROJECT MANAGER ER

PROJECT NUMBER 215522-01

DATE 11/04/2016

ARCHITECTURAL & LIGHTING SITE PLAN



1 SITE PLAN





eppstein uhen : architects

milwaukee 333 East Chicago Street
Milwaukee, Wisconsin 53202
telephone 414.271.5350
madison 309 West Johnson Street, Suite 202
Madison, Wisconsin 53703
telephone 608.442.5350

DALGLIESH GILPIN PAXTON ARCHITECTS
ARCHITECTURE + HISTORIC PRESERVATION + PLANNING + INTERIOR DESIGN

206 Fifth Street NE
Charlottesville Virginia 22902
T 434 977 4400
F 434 296 8720
info@dgparchitects.com

PROJECT INFORMATION

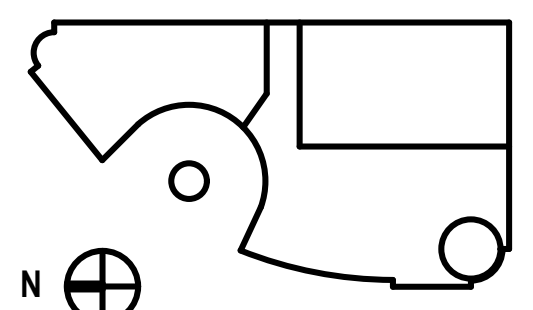
MILWAUKEE OFFICE BUILDING

210 E. Knapp Street
Milwaukee, WI

ISSUANCE

DPD SUBMITTAL

KEY PLAN



SHEET INFORMATION

PROJECT MANAGER ER

PROJECT NUMBER 215522-01

DATE 10/14/2016

SOUTHWEST FACADE LIGHTING

D-2



D

C

B

A

1

2

3

4

5

6

1

2

3

4

5

6



eppstein uhen : architects

milwaukee 333 East Chicago Street
Milwaukee, Wisconsin 53202
telephone 414.271.5350
madison 309 West Johnson Street, Suite 202
Madison, Wisconsin 53703
telephone 608.442.5350

DALGLIESH GILPIN PAXTON ARCHITECTS
ARCHITECTURE + HISTORIC PRESERVATION + PLANNING + INTERIOR DESIGN

206 Fifth Street NE
Charlottesville Virginia 22902
T 434 977 4400
F 434 296 8720
info@dgparchitects.com

PROJECT INFORMATION

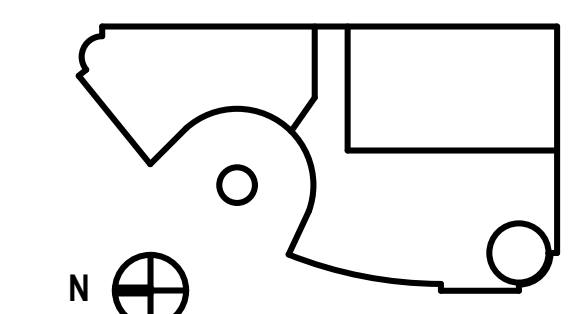
MILWAUKEE OFFICE BUILDING

210 E. Knapp Street
Milwaukee, WI

ISSUANCE

DPD SUBMITTAL

KEY PLAN



SHEET INFORMATION

PROJECT MANAGER ER

PROJECT NUMBER 215522-01

DATE 10/14/2016

**MOTOR COURT
PHASE II FACADE
LIGHTING**

D-3



D

C

B

A

1

2

3

4

5

6

1

2

3

4

5

6



eppstein uhen : architects

milwaukee 333 East Chicago Street
Milwaukee, Wisconsin 53202
telephone 414.271.5350
D madison 309 West Johnson Street, Suite
202
Madison, Wisconsin 53703
telephone 608.442.5350

DALGLIESH GILPIN PAXTON ARCHITECTS
ARCHITECTURE + HISTORIC PRESERVATION + PLANNING + INTERIOR DESIGN

206 Fifth Street NE
Charlottesville Virginia 22902
T 434 977 4480
F 434 296 8720
info@dgparchitects.com

PROJECT INFORMATION

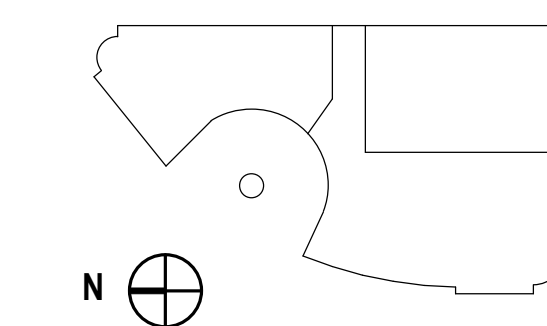
MILWAUKEE OFFICE BUILDING

210 E. Knapp Street
Milwaukee, WI

ISSUANCE

DPD SUBMITTAL

KEY PLAN



SHEET INFORMATION

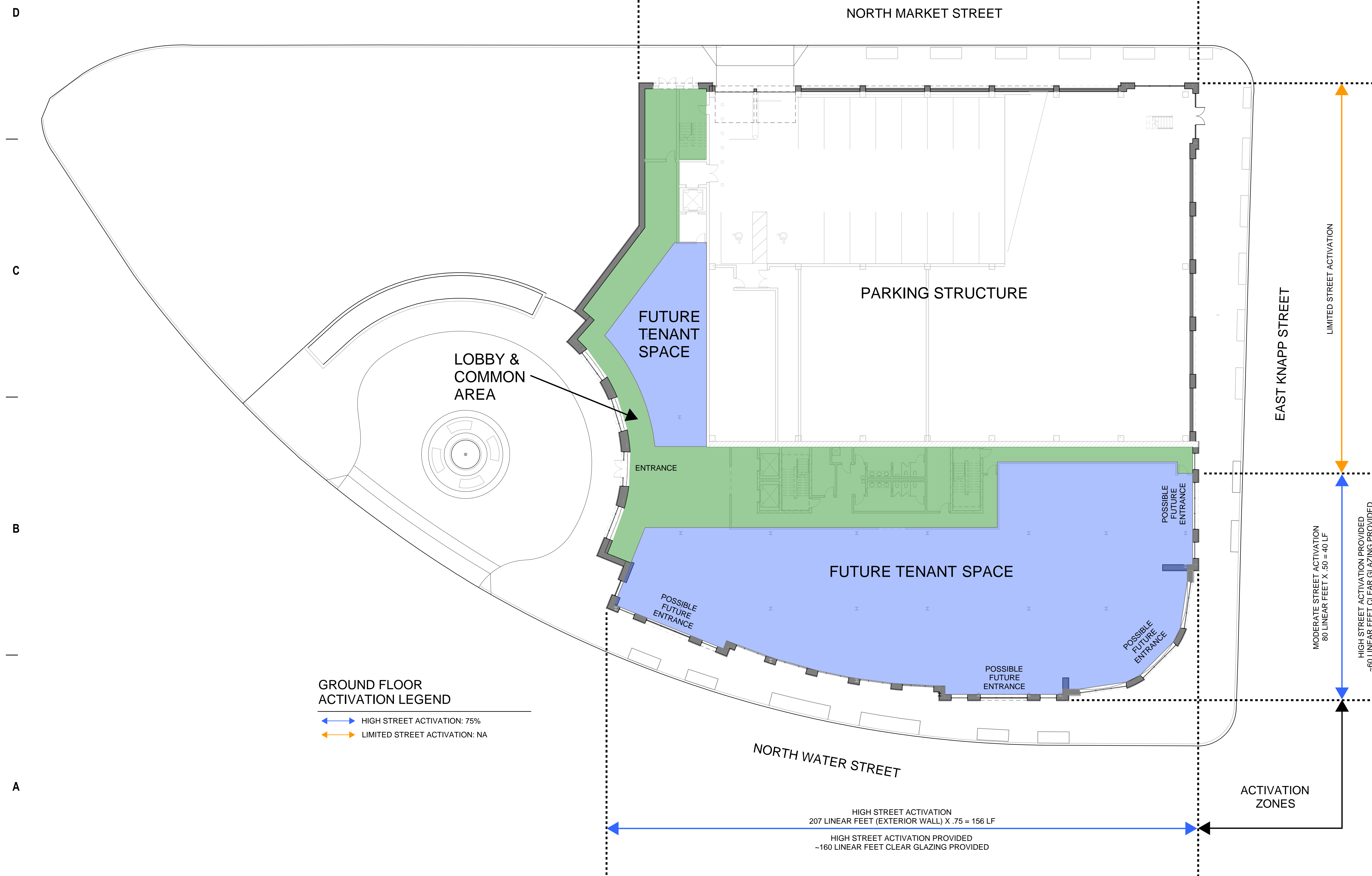
PROJECT MANAGER ER

PROJECT NUMBER 215522-01

DATE 11/04/2016

STREET ACTIVATION PLAN

D-4



GROUND FLOOR ACTIVATION LEGEND
 HIGH STREET ACTIVATION: 75%
 LIMITED STREET ACTIVATION: NA

HIGH STREET ACTIVATION
207 LINEAR FEET (EXTERIOR WALL) X .75 = 156 LF
HIGH STREET ACTIVATION PROVIDED
-160 LINEAR FEET CLEAR GLAZING PROVIDED

LIMITED STREET ACTIVATION
LIMITED STREET ACTIVATION
MODERATE STREET ACTIVATION
80 LINEAR FEET X .50 = 40 LF
HIGH STREET ACTIVATION PROVIDED
-60 LINEAR FEET CLEAR GLAZING PROVIDED

ACTIVATION ZONES



epstein uhen : architects

MILWAUKEE 333 East Chicago Street
Milwaukee, Wisconsin 53202
telephone 414.271.5550
MADISON 309 West Johnson Street, Suite 202
Madison, Wisconsin 53703
telephone 608.442.5350

DALGLISH GILPIN PAXTON ARCHITECTS
ARCHITECTURE | INTERIOR DESIGN | PLANNING | HISTORIC DESIGN
206 Fifth Street NE
Charlotte, Virginia 22902
F 534.277.4660
F 534.296.8720
info@dalGLISH.com

PINNAACLE ENGINEERING GROUP
WISCONSIN OFFICE
1540 W. BELMONT ROAD
BROOKFIELD, WI 53005
(262) 754-8888
CHICAGO | MILWAUKEE | WASHINGTON
ENGINEERING | NATURAL RESOURCES | SURVEYING
PLAN | DESIGN | DELIVER
www.pinnacleeng.com

PROJECT INFORMATION

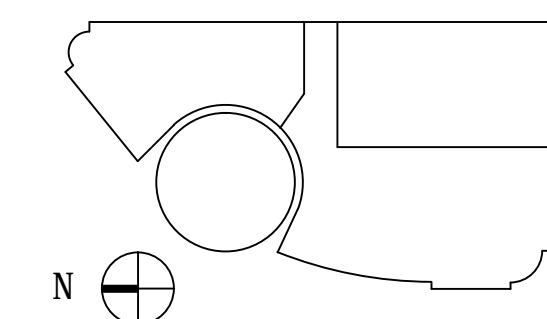
MILWAUKEE OFFICE BUILDING

210 E. Knapp Street
Milwaukee, WI

ISSUANCE

DPD SUBMITTAL

KEY PLAN

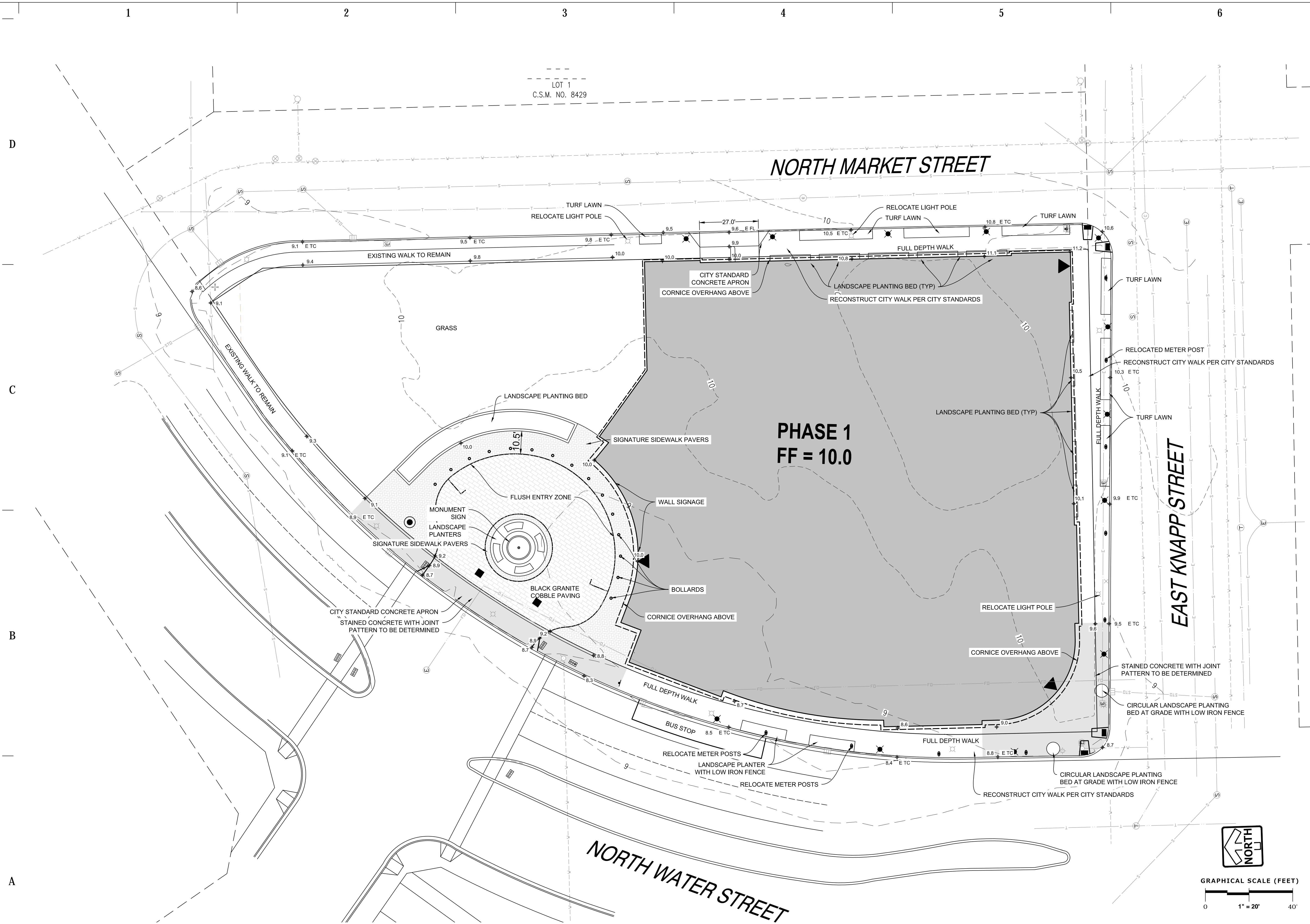


SHEET INFORMATION

PROJECT MANAGER AEK
PROJECT NUMBER 215522-01
DATE 10/14/2016

SPOT GRADE PLAN

E1



E1 SPOT GRADE PLAN
1" = 20'-0"



epstein uhen : architects

milwaukee 333 East Chicago Street
Milwaukee, Wisconsin 53202
telephone 414.271.5350
madison 309 West Johnson Street, Suite 202
Madison, Wisconsin 53703
telephone 608.442.5350

DALGLISH GILPIN PAXTON ARCHITECTS
ARCHITECTS - INTERIOR DESIGNERS - PLANNERS - ENVIRONMENTAL DESIGNERS
206 Fifth Street NE
Charlottesville Virginia 22902
F 554.974.4650
F 534.266.8720
info@dalGLISH.com

PINNACLE ENGINEERING GROUP
WISCONSIN OFFICE
15600 W. HELENDON ROAD
BROOKFIELD, WI 53005
(262) 754-8888
CHICAGO OFFICE
ENGINEERING | NATURAL RESOURCES | SURVEYING
PLAN | DESIGN | DELIVER
www.pinnacle-eng.com

PROJECT INFORMATION

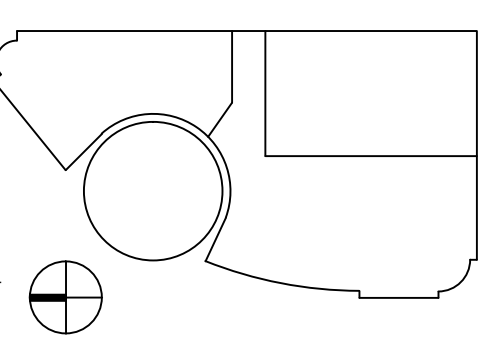
MILWAUKEE OFFICE BUILDING

210 E. Knapp Street
Milwaukee, WI

ISSUANCE

DPD SUBMITTAL

KEY PLAN

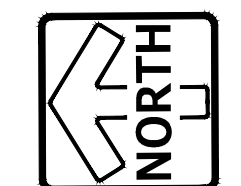
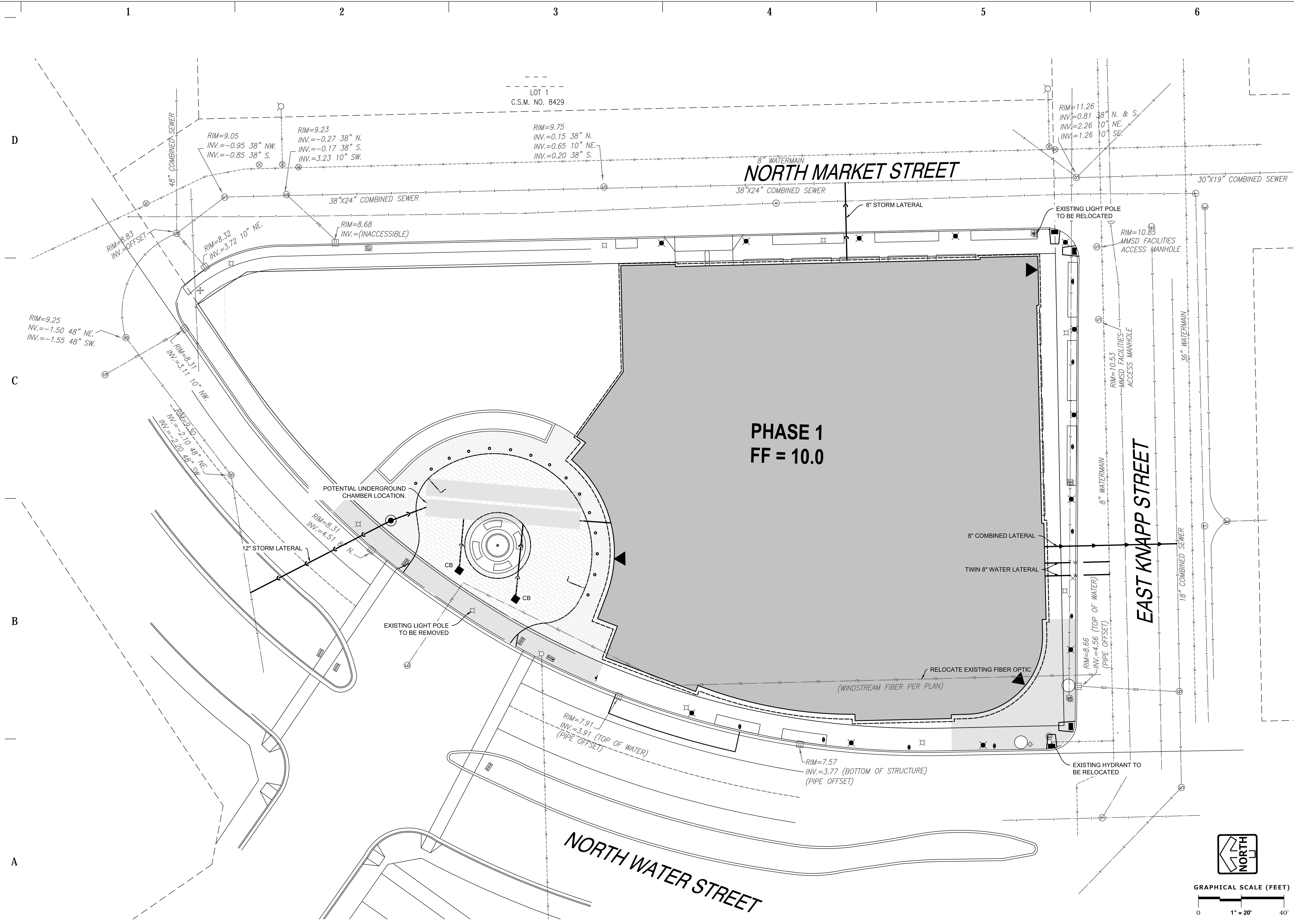


SHEET INFORMATION

PROJECT MANAGER	AEK
PROJECT NUMBER	215522-01
DATE	10/14/2016

UTILITY PLAN

F1



GRAPHICAL SCALE (FEET)
0 1" = 20' 40'

F1 UTILITY PLAN
1" = 20'-0"



eppstein uhen : architects

milwaukee 333 East Chicago Street
Milwaukee, Wisconsin 53202
telephone 414.271.5350
madison 309 West Johnson Street, Suite 202
Madison, Wisconsin 53703
telephone 608.442.5350

DALGLIESH GILPIN PAXTON ARCHITECTS

ARCHITECTURE + HISTORIC PRESERVATION + PLANNING + INTERIOR DESIGN
206 Fifth Street NE
Charlottesville Virginia 22902
T 434 977 6460
F 434 296 8720
info@dgparchitects.com

PROJECT INFORMATION

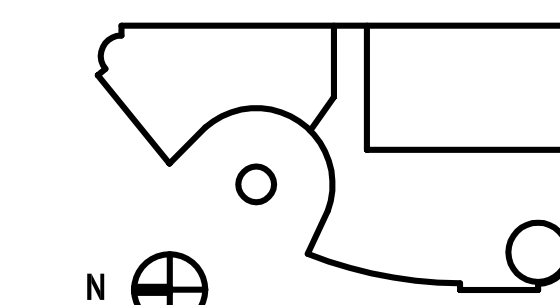
MILWAUKEE OFFICE BUILDING

210 E. Knapp Street
Milwaukee, WI

ISSUANCE

DPD SUBMITTAL

KEY PLAN



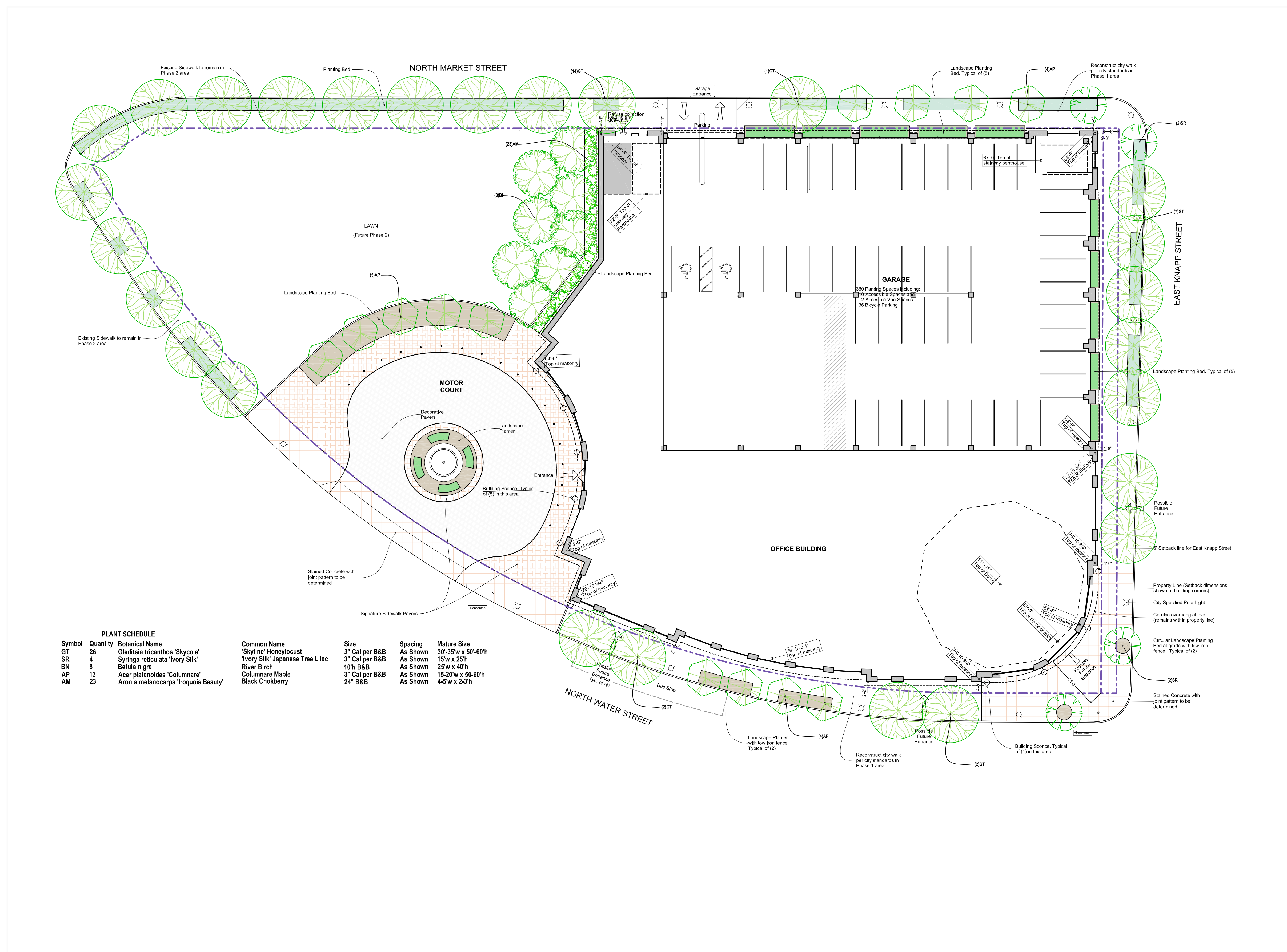
SHEET INFORMATION

PROJECT MANAGER ER

PROJECT NUMBER 215522-01

DATE 10/14/2016

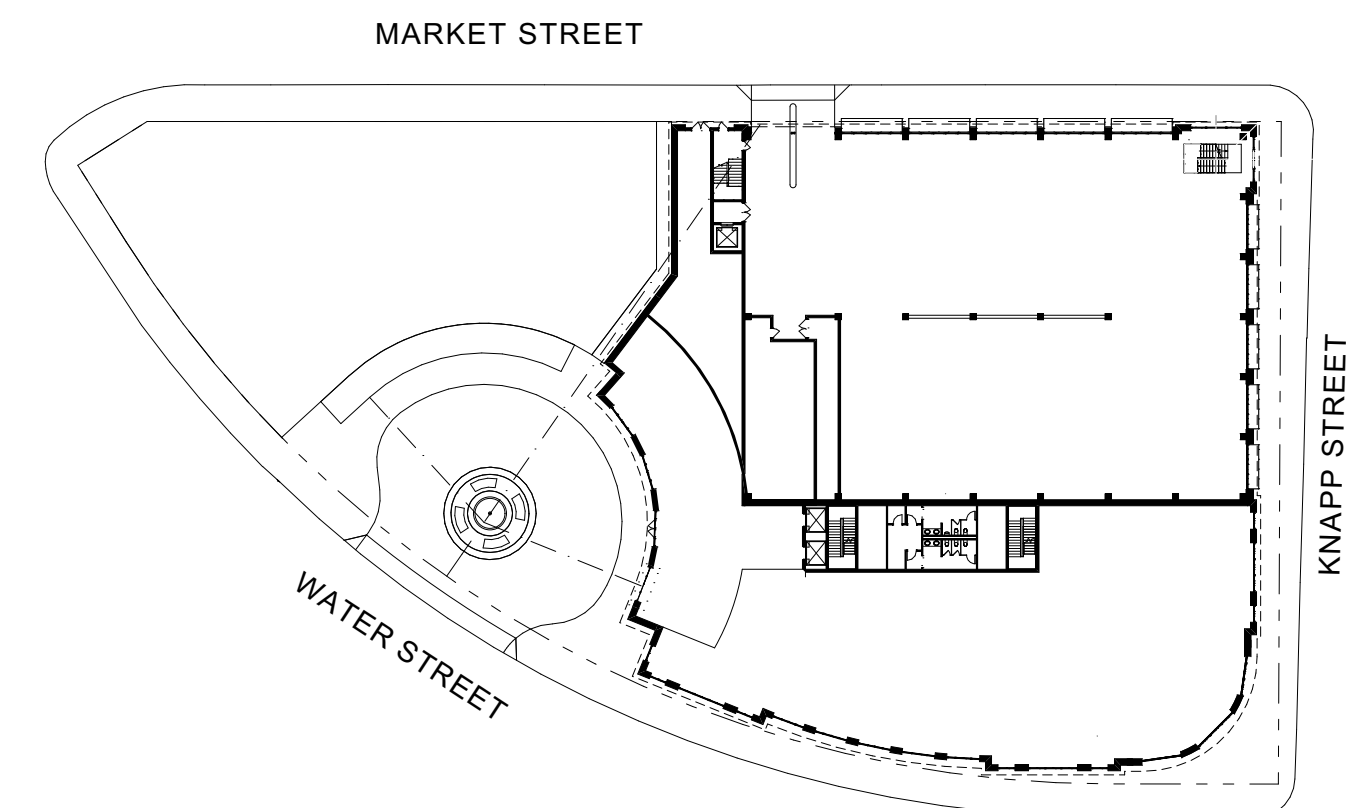
Landscape Plan



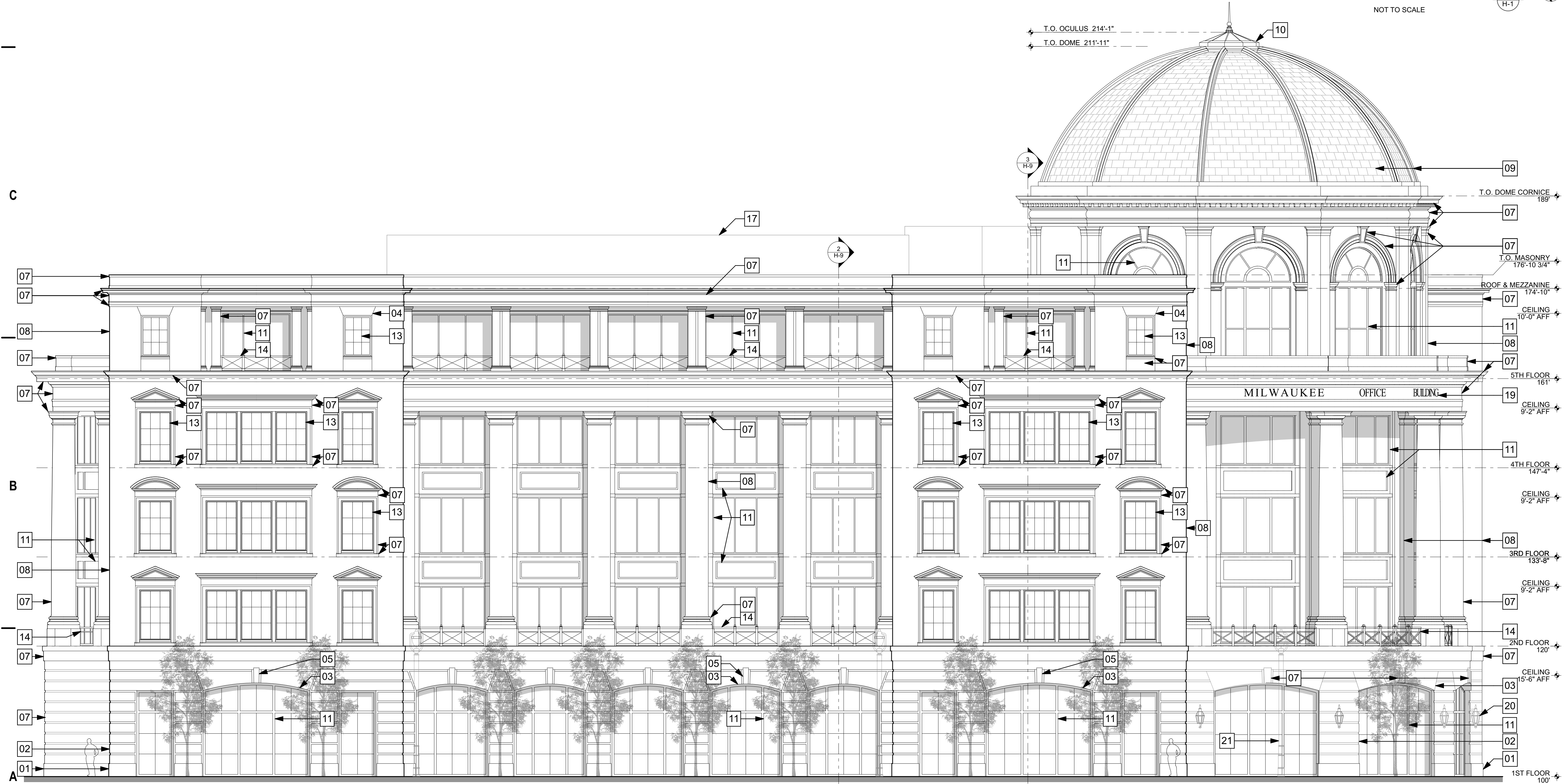
PLANT SCHEDULE

Symbol	Quantity	Botanical Name	Common Name	Size	Spacing	Mature Size
GT	26	Gleditsia tricanthos 'Skycole'	'Skyline' Honeylocust	3" Caliper B&B	As Shown	30'-35'w x 50'-60'h
SR	4	Syringa reticulata 'Ivory Silk'	'Ivory Silk' Japanese Tree Lilac	3" Caliper B&B	As Shown	15'w x 25'h
BN	8	Betula nigra	River Birch	10'h B&B	As Shown	25'w x 40'h
AP	13	Acer platanoides 'Columnare'	Columnare Maple	3" Caliper B&B	As Shown	15-20'w x 50'-60'h
AM	23	Aronia melanocarpa 'Iroquois Beauty'	Black Chokeberry	24" B&B	As Shown	4-5'w x 2-3'h

KEYNOTE MATERIAL INDEX			
01	GRANITE WATERTABLE	12	BRONZE ANODIZED ALUMINUM STOREFRONT FRAMES WITH NO GLAZING
02	RUSTICATED BRICK	13	BRONZE ANODIZED WINDOWS WITH CLEAR GLAZING
03	BRICK SEGMENTAL ARCH	14	PRE-FINISHED METAL RAILING
04	BRICK JACK ARCH	15	PRE-FINISHED METAL SCREENING
05	BRICK KEYSTONE	16	PRE-FINISHED METAL OVERHEAD COILING DOOR
06	ARCHITECTURAL CAST STONE ELLIPTICAL ARCH	17	PRE-FINISHED METAL SCREEN WALL
07	ARCHITECTURAL CAST STONE	18	BRONZE SIGNAGE
08	BRICK	19	CARVED INCISED TEXT
09	ZINC COATED ROOFING	20	ARCHITECTURAL WALL SCONCE
10	ZINC COATED OCULUS WITH GLAZING	21	CITY SPECIFIED POLE LIGHTS
11	LEVELS 1 & 5 - BRONZE ANODIZED ALUMINUM STOREFRONT WITH CLEAR GLAZING	22	CLEAR GLAZING
11	LEVELS 2 - 4 - BRONZE ANODIZED ALUMINUM STOREFRONT WITH CLEAR GLAZING & SPANDREL PANELS	23	TEMPERED SAFETY CLEAR GLAZING



KEYED PLAN
NOT TO SCALE



1 WEST ELEVATION - WATER STREET
0 4' 8' 16'



eppstein uhen : architects
 milwaukee 333 East Chicago Street
 Milwaukee, Wisconsin 53202
 telephone 414.271.5350
 madison 309 West Johnson Street, Suite 202
 Madison, Wisconsin 53703
 telephone 608.442.5350

DALGLIESH GILPIN PAXTON ARCHITECTS
 ARCHITECTURE + HISTORIC PRESERVATION + PLANNING + INTERIOR DESIGN
 206 Fifth Street NE
 Charlottesville Virginia 22902
 T:434.977.4400
 F:434.296.8720
 info@dgpaarchitects.com

PROJECT INFORMATION

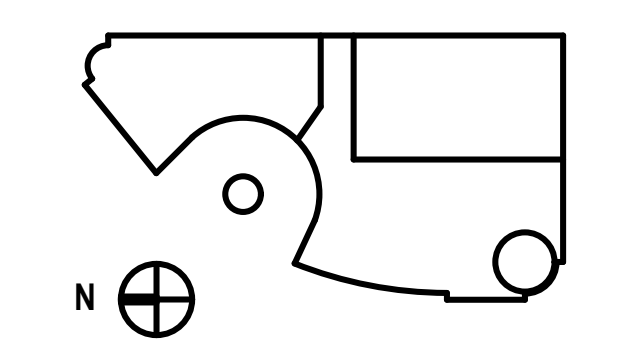
MILWAUKEE OFFICE BUILDING

210 E. Knapp Street
 Milwaukee, WI

ISSUANCE

DPD SUBMITTAL

KEY PLAN



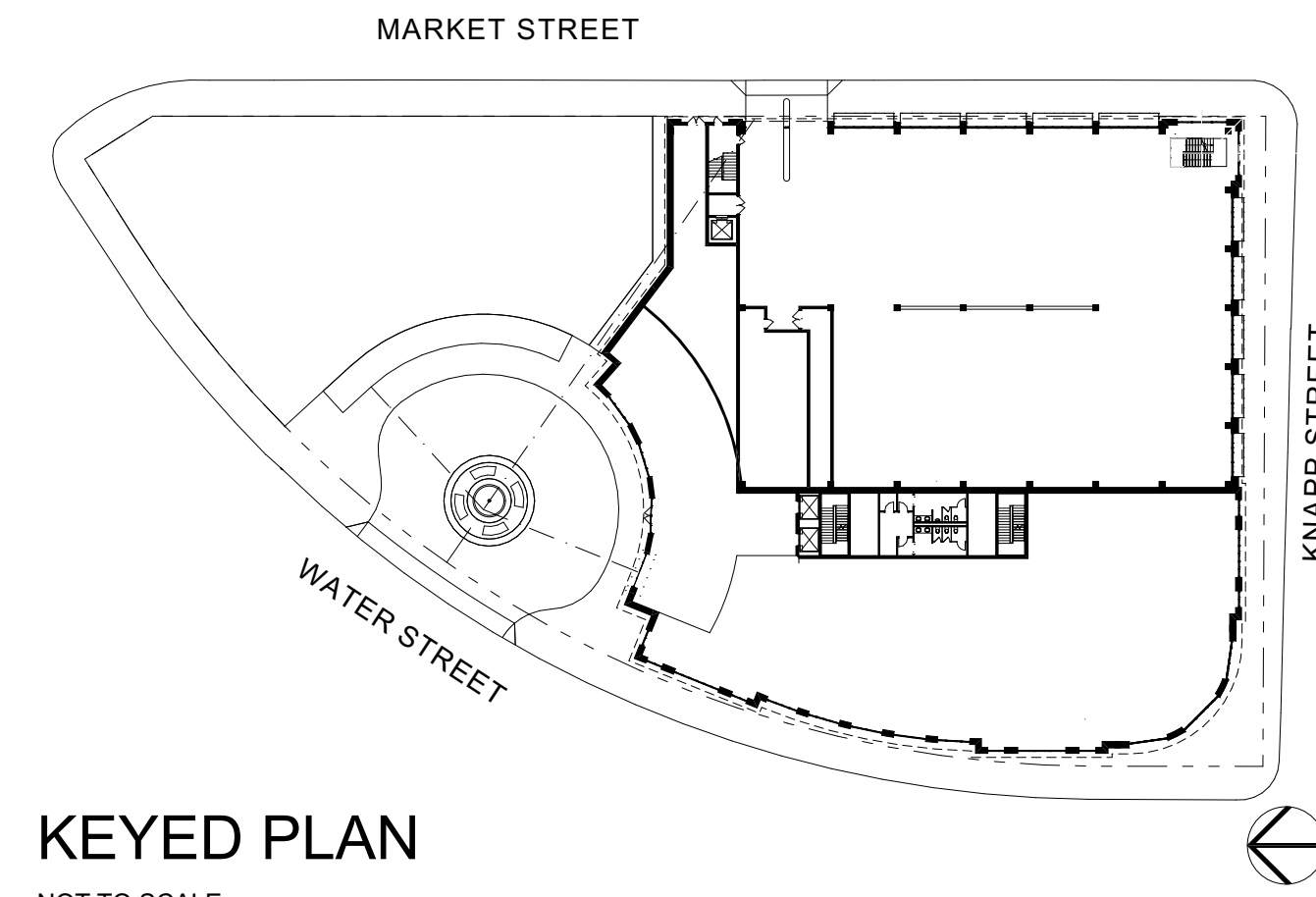
SHEET INFORMATION

PROJECT MANAGER	ER
PROJECT NUMBER	215522-01
DATE	10/14/2016

WEST ELEVATION

H-1

KEYNOTE MATERIAL INDEX	
01	GRANITE WATERTABLE
02	RUSTICATED BRICK
03	BRICK SEGMENTAL ARCH
04	BRICK JACK ARCH
05	BRICK KEYSTONE
06	ARCHITECTURAL CAST STONE ELLIPTICAL ARCH
07	ARCHITECTURAL CAST STONE
08	BRICK
09	ZINC COATED ROOFING
10	ZINC COATED OCULUS WITH GLAZING
11	LEVELS 1 & 5 - BRONZE ANODIZED ALUMINUM STOREFRONT WITH CLEAR GLAZING
11	LEVELS 2 - 4 - BRONZE ANODIZED ALUMINUM STOREFRONT WITH CLEAR GLAZING & SPANDREL PANELS
12	BRONZE ANODIZED ALUMINUM STOREFRONT FRAMES WITH NO GLAZING
13	BRONZE ANODIZED WINDOWS WITH CLEAR GLAZING
14	PRE-FINISHED METAL RAILING
15	PRE-FINISHED METAL SCREENING
16	PRE-FINISHED METAL OVERHEAD COILING DOOR
17	PRE-FINISHED METAL SCREEN WALL
18	BRONZE SIGNAGE
19	CARVED INCISED TEXT
20	ARCHITECTURAL WALL SCONCE
21	CITY SPECIFIED POLE LIGHTS
22	CLEAR GLAZING
23	TEMPERED SAFETY CLEAR GLAZING



eppstein uhen : architects

milwaukee 333 East Chicago Street
Milwaukee, Wisconsin 53202
telephone 414.271.5350
madison 309 West Johnson Street, Suite 202
Madison, Wisconsin 53703
telephone 608.442.5350

DALGLIESH GILPIN PAXTON ARCHITECTS
ARCHITECTURE + HISTORIC PRESERVATION + PLANNING + INTERIOR DESIGN

206 Fifth Street NE
Charlottesville Virginia 22902
T 434.977.4400
F 434.296.8720
info@dgparchitects.com

PROJECT INFORMATION

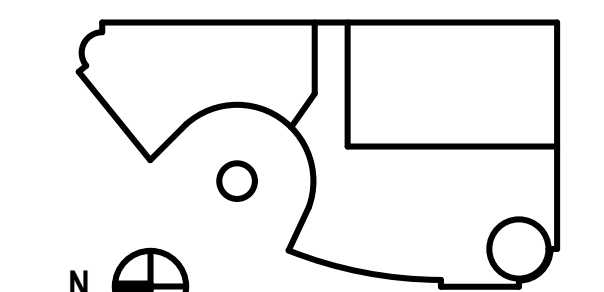
MILWAUKEE OFFICE BUILDING

210 E. Knapp Street
Milwaukee, WI

ISSUANCE

DPD SUBMITTAL

KEY PLAN



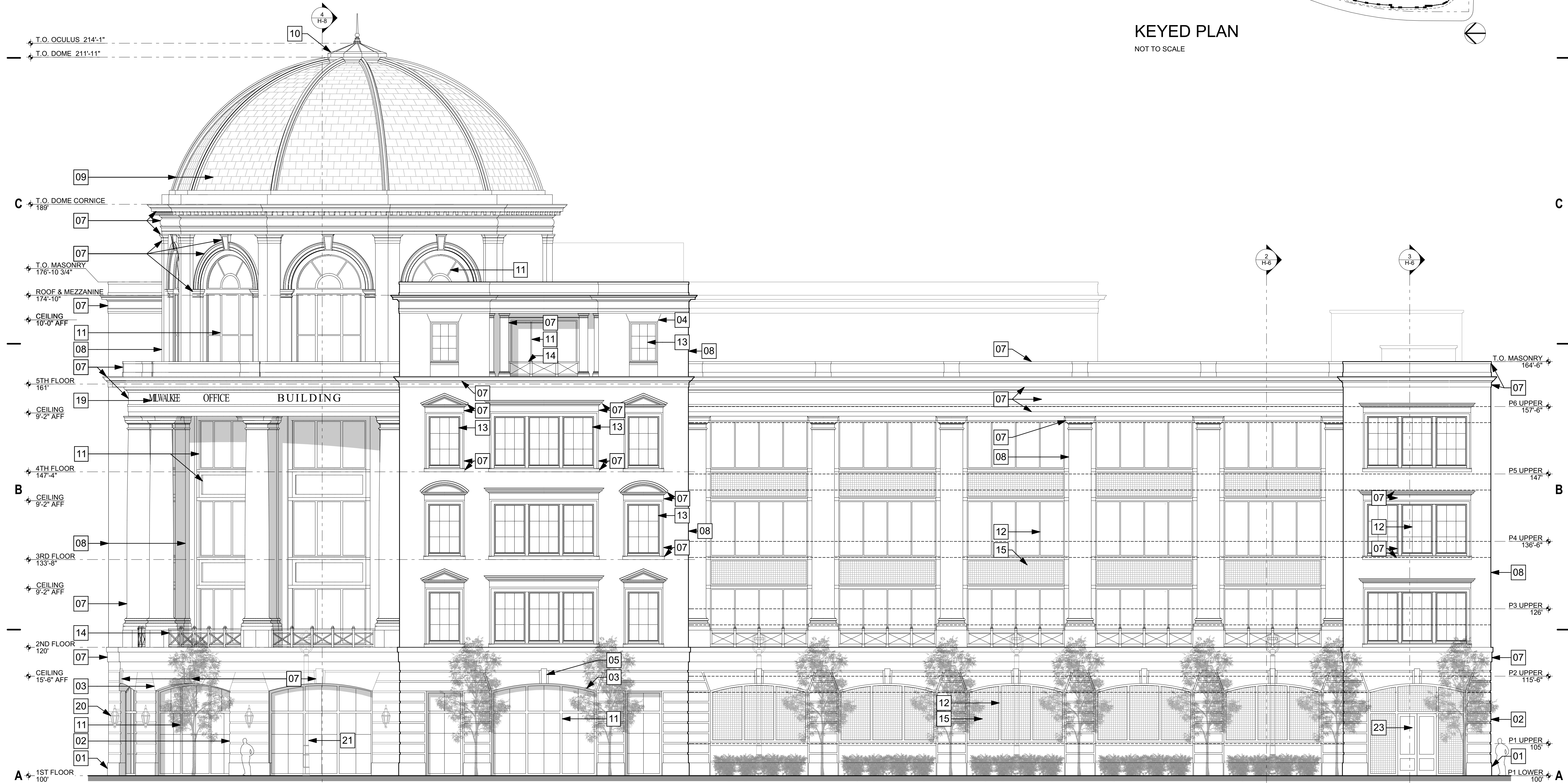
SHEET INFORMATION

PROJECT MANAGER ER

PROJECT NUMBER 215522-01

DATE 10/14/2016

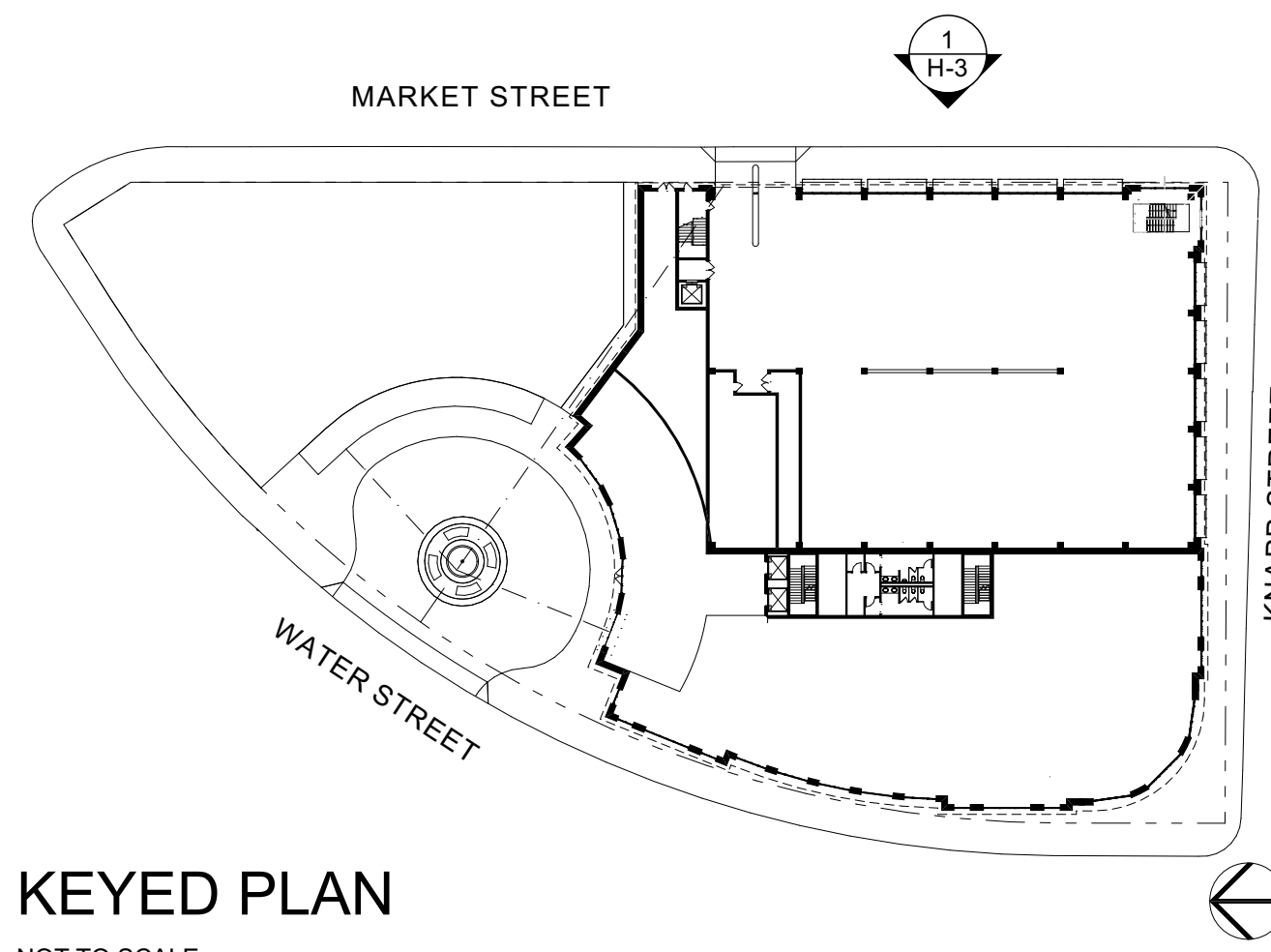
SOUTH ELEVATION



1 SOUTH ELEVATION - KNAPP STREET

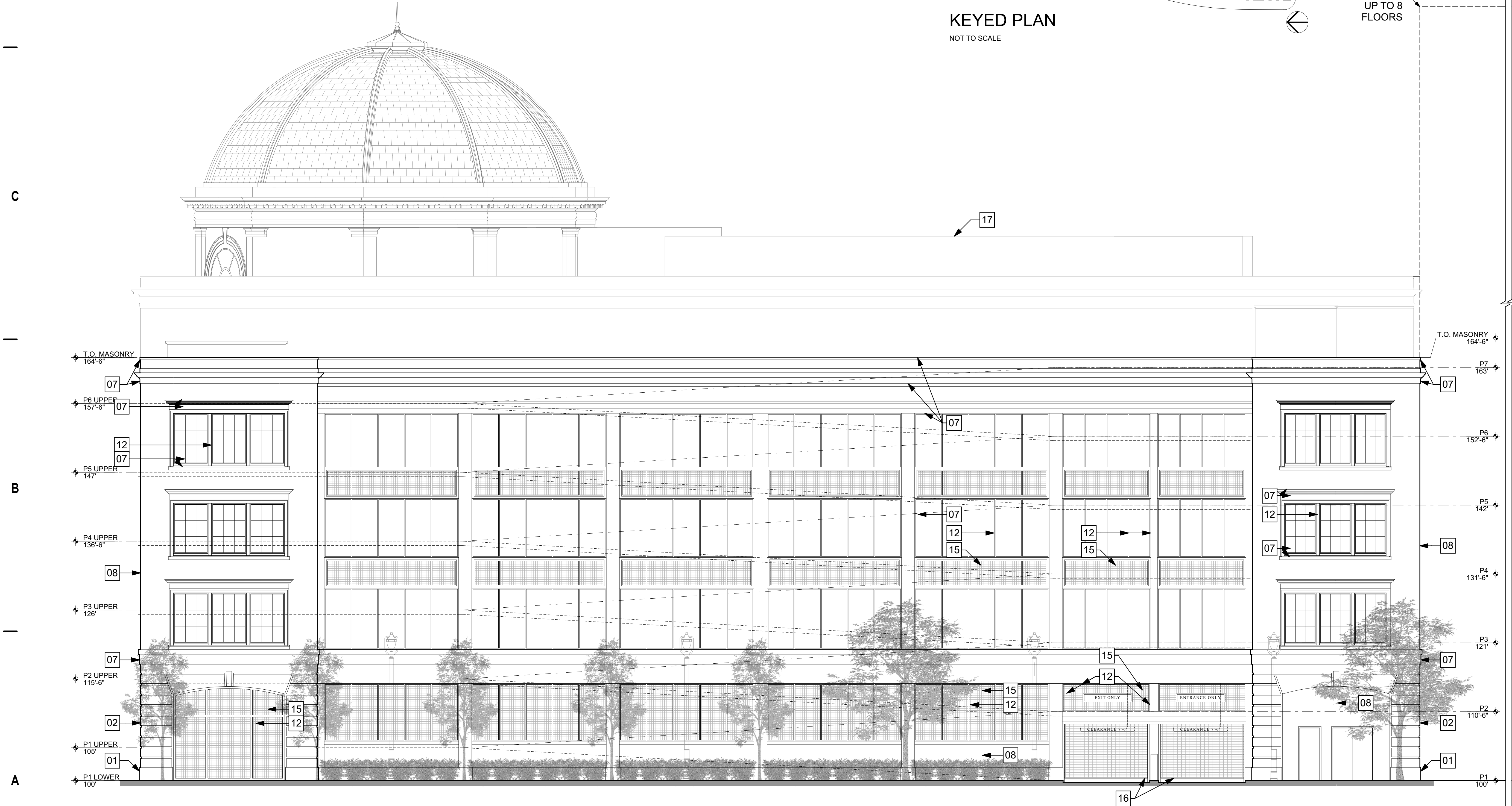
H-2

KEYNOTE MATERIAL INDEX			
01	GRANITE WATERTABLE	12	BRONZE ANODIZED ALUMINUM STOREFRONT FRAMES WITH NO GLAZING
02	RUSTICATED BRICK	13	BRONZE ANODIZED WINDOWS WITH CLEAR GLAZING
03	BRICK SEGMENTAL ARCH	14	PRE-FINISHED METAL RAILING
04	BRICK JACK ARCH	15	PRE-FINISHED METAL SCREENING
05	BRICK KEystone	16	PRE-FINISHED METAL OVERHEAD COILING DOOR
06	ARCHITECTURAL CAST STONE ELLIPTICAL ARCH	17	PRE-FINISHED METAL SCREEN WALL
07	ARCHITECTURAL CAST STONE	18	BRONZE SIGNAGE
08	BRICK	19	CARVED INCISED TEXT
09	ZINC COATED ROOFING	20	ARCHITECTURAL WALL SCONCE
10	ZINC COATED OCULUS WITH GLAZING	21	CITY SPECIFIED POLE LIGHTS
11	LEVELS 1 & 5 - BRONZE ANODIZED ALUMINUM STOREFRONT WITH CLEAR GLAZING	22	CLEAR GLAZING
11	LEVELS 2 - 4 - BRONZE ANODIZED ALUMINUM STOREFRONT WITH CLEAR GLAZING & SPANDREL PANELS	23	TEMPERED SAFETY CLEAR GLAZING



KEYED PLAN
NOT TO SCALE

PHASE 2
BEYOND
UP TO 8
FLOORS



1 EAST ELEVATION - MARKET STREET
0 4' 8' 16'



eppstein uhen : architects

milwaukee 333 East Chicago Street
Milwaukee, Wisconsin 53202
telephone 414.271.5350
madison 309 West Johnson Street, Suite 202
Madison, Wisconsin 53703
telephone 608.442.5350

DALGLIESH GILPIN PAXTON ARCHITECTS
ARCHITECTURE + HISTORIC PRESERVATION + PLANNING + INTERIOR DESIGN

206 Fifth Street NE
Charlottesville Virginia 22902
T 434 977 4400
F 434 296 8720
info@dgparchitects.com

PROJECT INFORMATION

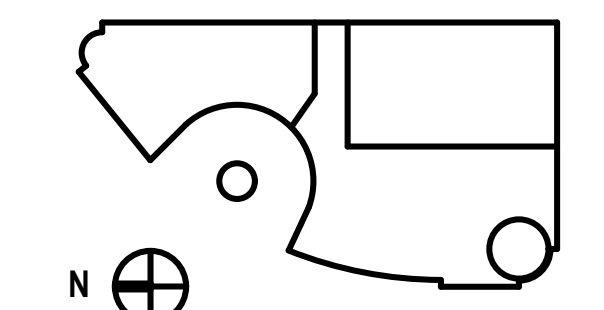
MILWAUKEE OFFICE
BUILDING

210 E. Knapp Street
Milwaukee, WI

ISSUANCE

DPD SUBMITTAL

KEY PLAN



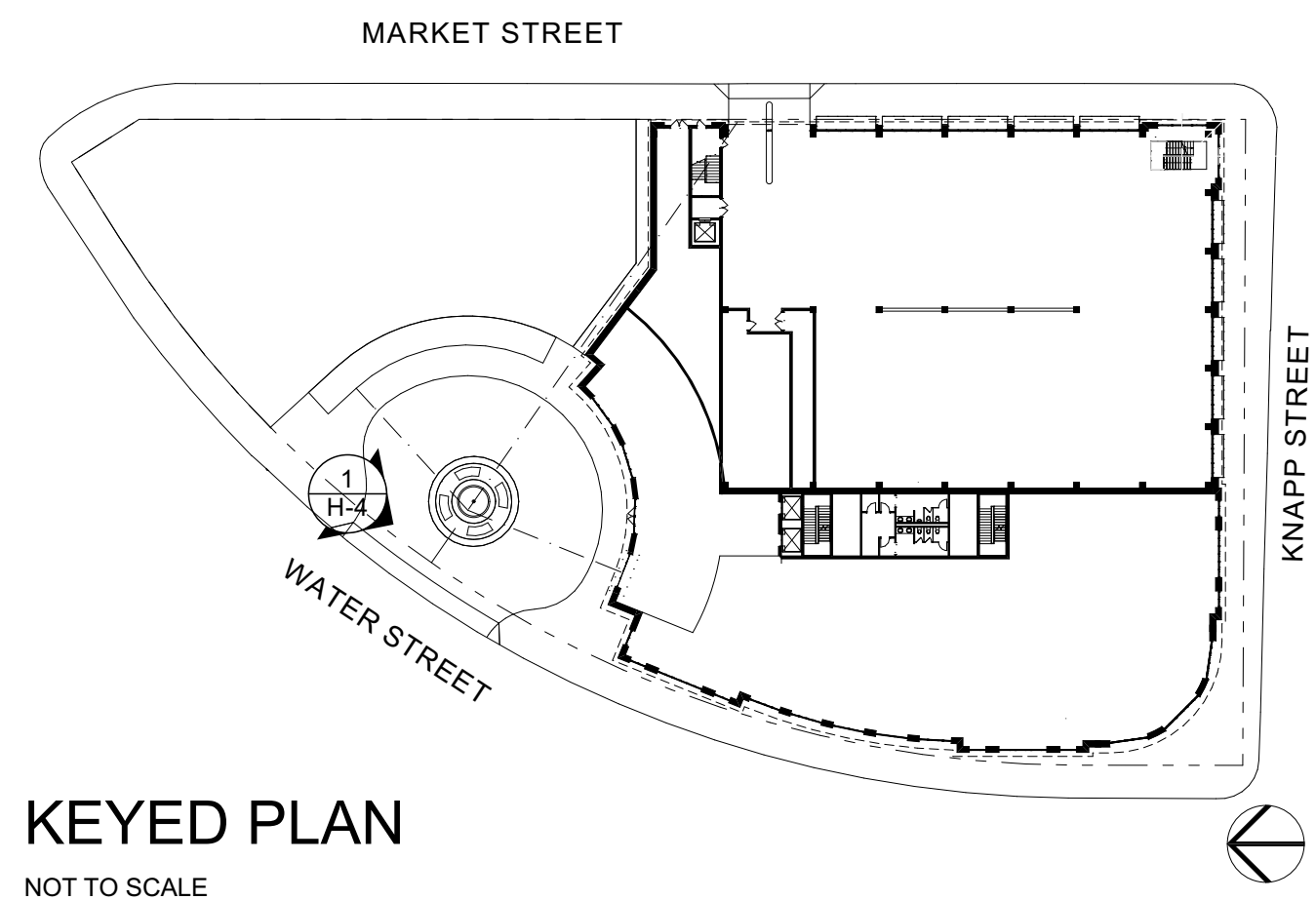
SHEET INFORMATION

PROJECT MANAGER ER
PROJECT NUMBER 215522-01
DATE 10/14/2016

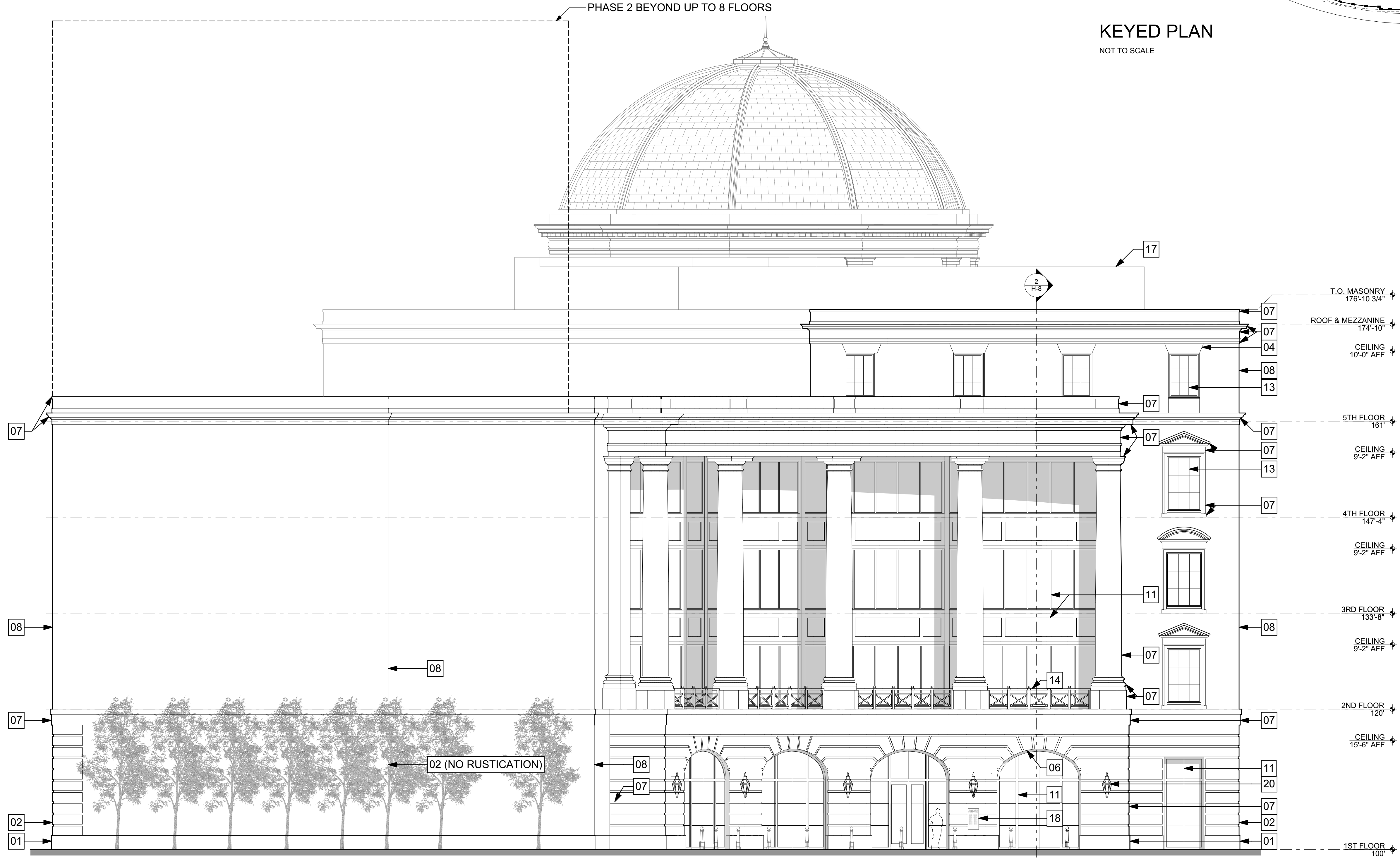
EAST ELEVATION

H-3

KEYNOTE MATERIAL INDEX	
01	GRANITE WATERTABLE
02	RUSTICATED BRICK
03	BRICK SEGMENTAL ARCH
04	BRICK JACK ARCH
05	BRICK KEYSTONE
06	ARCHITECTURAL CAST STONE ELLIPTICAL ARCH
07	ARCHITECTURAL CAST STONE
08	BRICK
09	ZINC COATED ROOFING
10	ZINC COATED OCULUS WITH GLAZING
11	LEVELS 1 & 5 - BRONZE ANODIZED ALUMINUM STOREFRONT WITH CLEAR GLAZING
12	BRONZE ANODIZED ALUMINUM STOREFRONT FRAMES WITH NO GLAZING
13	BRONZE ANODIZED WINDOWS WITH CLEAR GLAZING
14	PRE-FINISHED METAL RAILING
15	PRE-FINISHED METAL SCREENING
16	PRE-FINISHED METAL OVERHEAD COILING DOOR
17	PRE-FINISHED METAL SCREEN WALL
18	BRONZE SIGNAGE
19	CARVED INCISED TEXT
20	ARCHITECTURAL WALL SCONCE
21	CITY SPECIFIED POLE LIGHTS
22	CLEAR GLAZING
23	TEMPERED SAFETY CLEAR GLAZING



KEYED PLAN
NOT TO SCALE



1 NORTH ELEVATION - MOTOR COURT
0 4 8 16'



eppstein uhen : architects

milwaukee 333 East Chicago Street
Milwaukee, Wisconsin 53202
telephone 414.271.5350
madison 309 West Johnson Street, Suite 202
Madison, Wisconsin 53703
telephone 608.442.5350

DALGLIESH GILPIN PAXTON ARCHITECTS
ARCHITECTURE + HISTORIC PRESERVATION + PLANNING + INTERIOR DESIGN

206 Fifth Street NE
Charlottesville Virginia 22902
T 434 977 4400
F 434 296 8720
info@dgpaarchitects.com

PROJECT INFORMATION

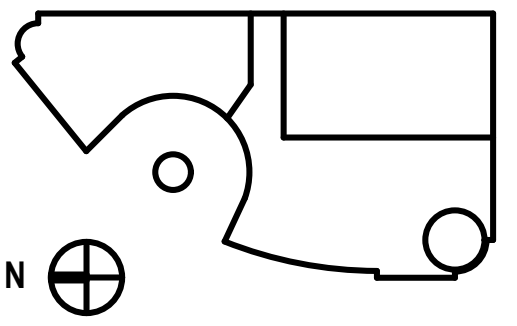
MILWAUKEE OFFICE BUILDING

210 E. Knapp Street
Milwaukee, WI

ISSUANCE

DPD SUBMITTAL

KEY PLAN



SHEET INFORMATION

PROJECT MANAGER ER

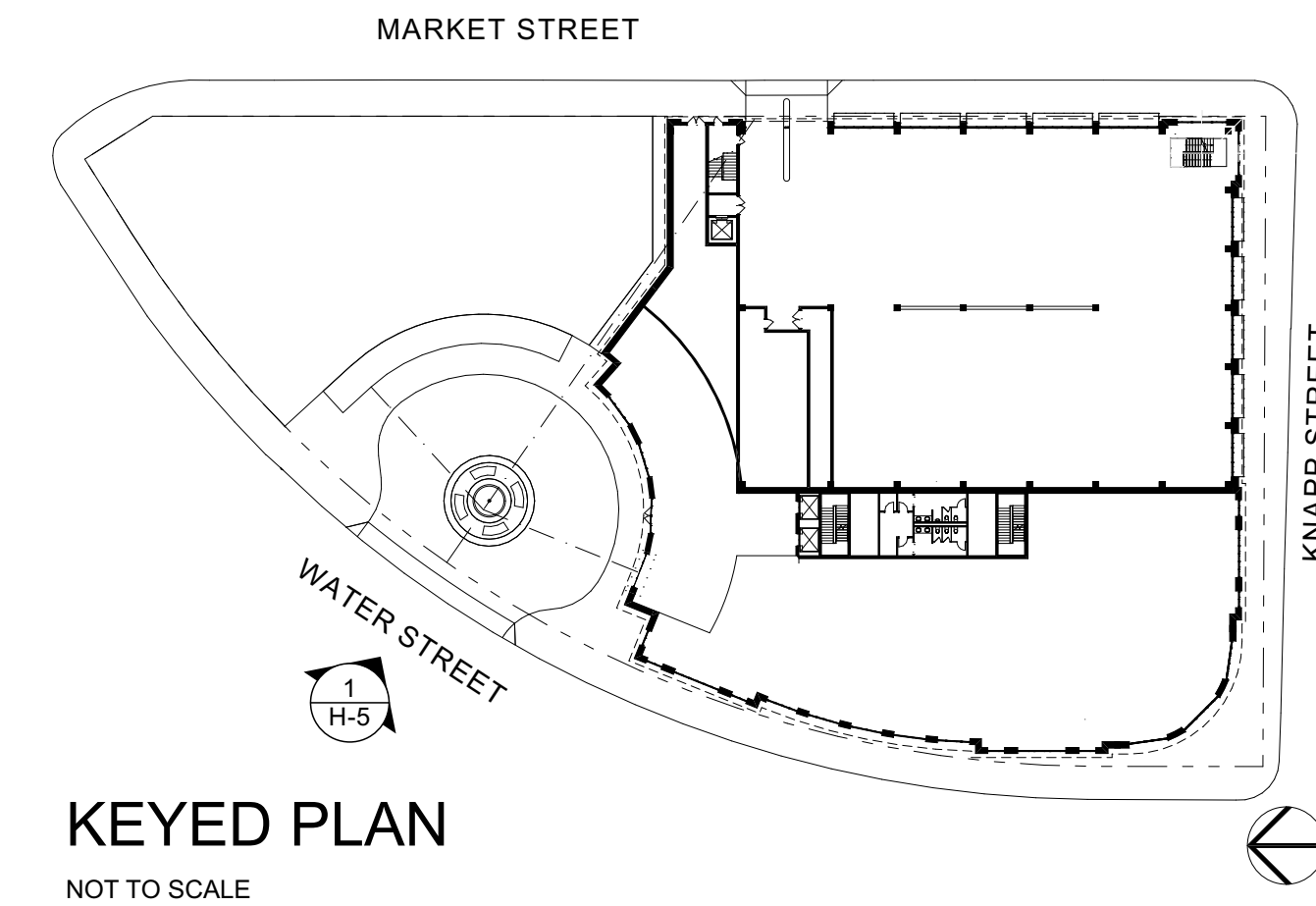
PROJECT NUMBER 215522-01

DATE 10/14/2016

NORTH ELEVATION - MOTOR COURT

H-4

KEYNOTE MATERIAL INDEX			
01	GRANITE WATERTABLE	12	BRONZE ANODIZED ALUMINUM STOREFRONT FRAMES WITH NO GLAZING
02	RUSTICATED BRICK	13	BRONZE ANODIZED WINDOWS WITH CLEAR GLAZING
03	BRICK SEGMENTAL ARCH	14	PRE-FINISHED METAL RAILING
04	BRICK JACK ARCH	15	PRE-FINISHED METAL SCREENING
05	BRICK KEYSTONE	16	PRE-FINISHED METAL OVERHEAD COILING DOOR
06	ARCHITECTURAL CAST STONE ELLIPTICAL ARCH	17	PRE-FINISHED METAL SCREEN WALL
07	ARCHITECTURAL CAST STONE	18	BRONZE SIGNAGE
08	BRICK	19	CARVED INCISED TEXT
09	ZINC COATED ROOFING	20	ARCHITECTURAL WALL SCONCE
10	ZINC COATED OCULUS WITH GLAZING	21	CITY SPECIFIED POLE LIGHTS
11	LEVELS 1 & 5 - BRONZE ANODIZED ALUMINUM STOREFRONT WITH CLEAR GLAZING	22	CLEAR GLAZING
11	LEVELS 2 - 4 - BRONZE ANODIZED ALUMINUM STOREFRONT WITH CLEAR GLAZING & SPANDREL PANELS	23	TEMPERED SAFETY CLEAR GLAZING



eppstein uhen : architects

milwaukee 333 East Chicago Street
Milwaukee, Wisconsin 53202
telephone 414.271.5350
madison 309 West Johnson Street, Suite 202
Madison, Wisconsin 53703
telephone 608.442.5350

DALGLIESH GILPIN PAXTON ARCHITECTS
ARCHITECTURE + HISTORIC PRESERVATION + PLANNING + INTERIOR DESIGN

206 Fifth Street NE
Charlottesville Virginia 22902
T: 434.977.4400
F: 434.296.8720
info@dgpaarchitects.com

PROJECT INFORMATION

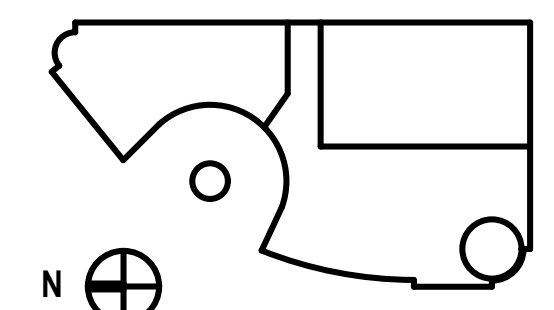
MILWAUKEE OFFICE BUILDING

210 E. Knapp Street
Milwaukee, WI

ISSUANCE

DPD SUBMITTAL

KEY PLAN



SHEET INFORMATION

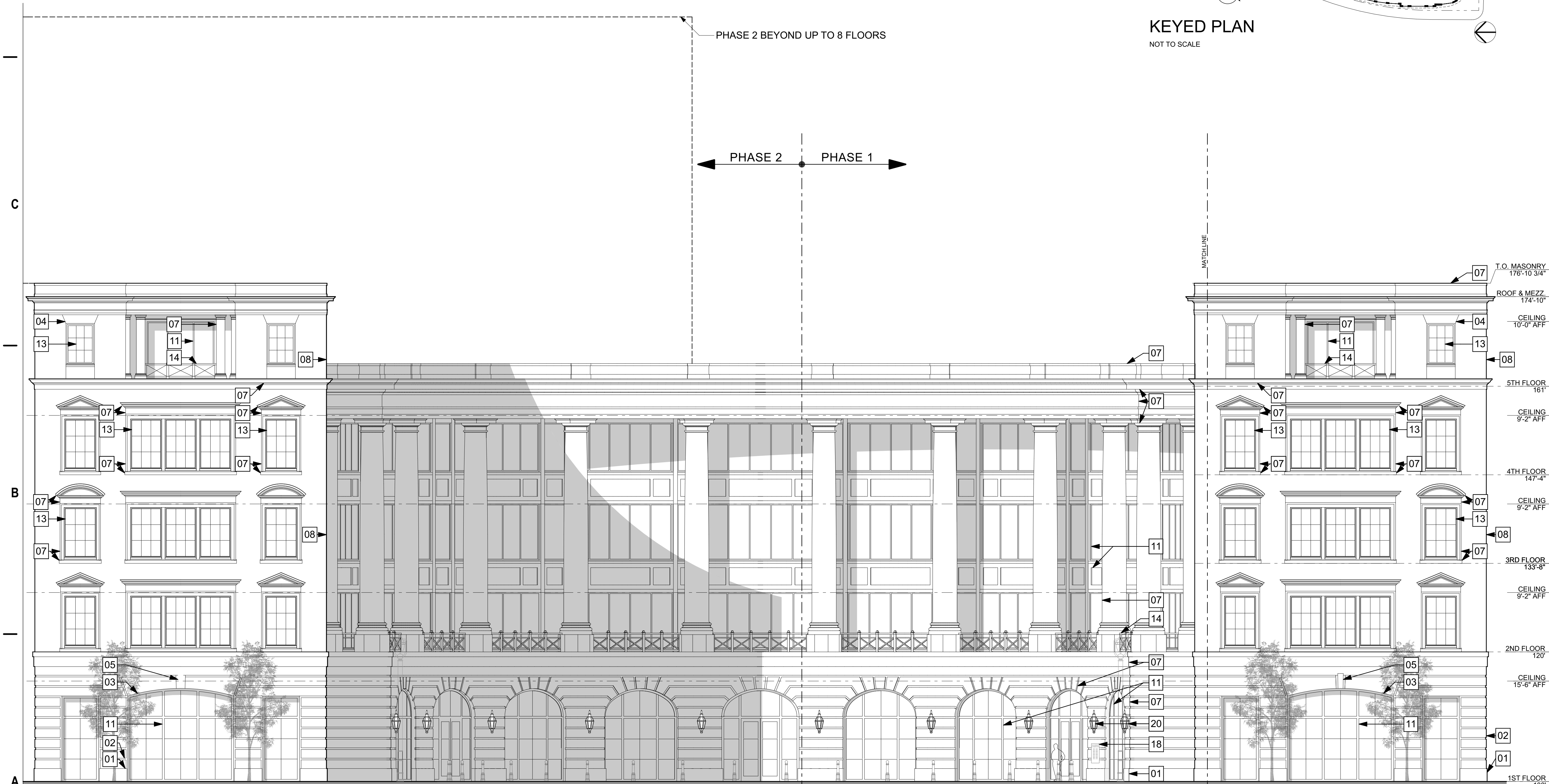
PROJECT MANAGER ER

PROJECT NUMBER 215522-01

DATE 10/14/2016

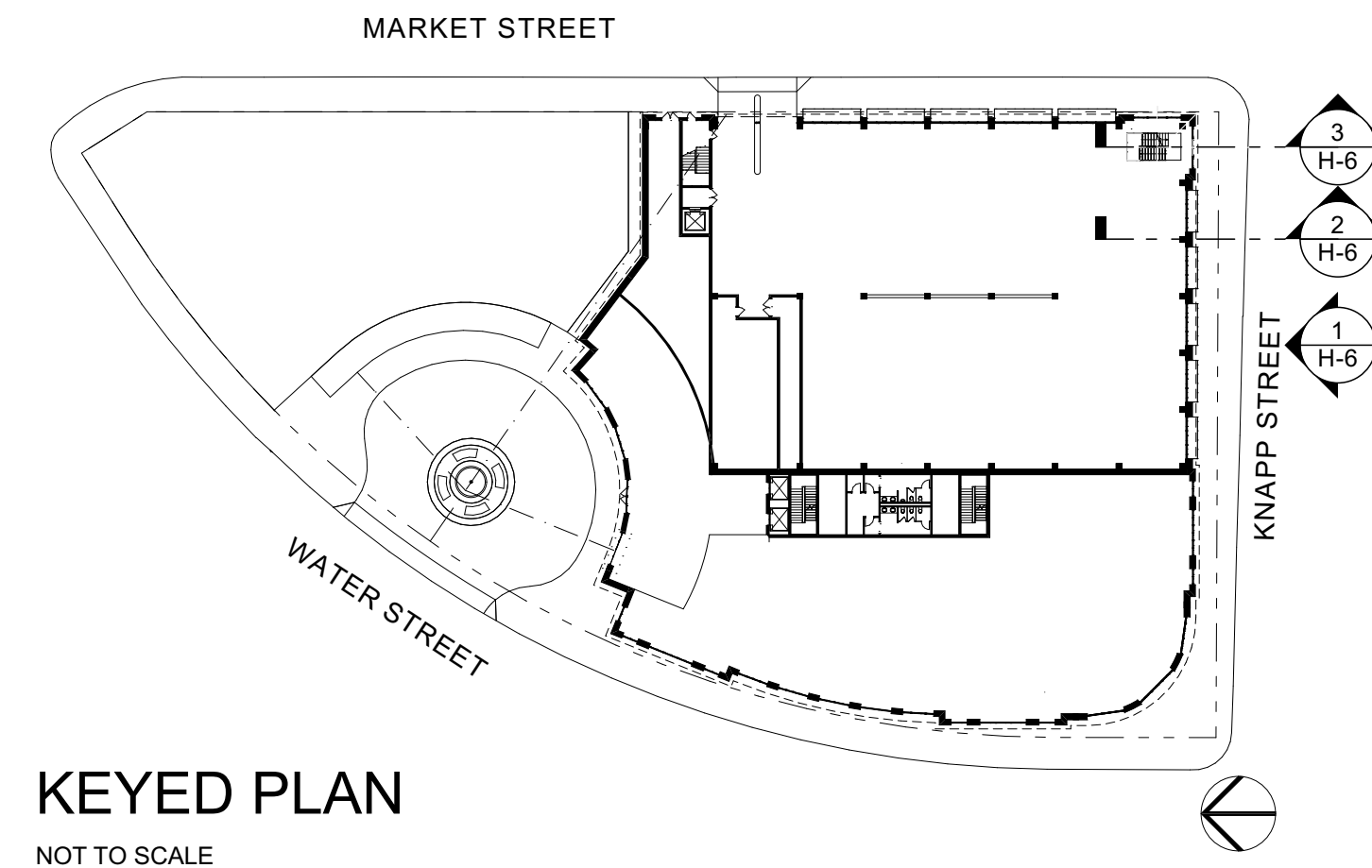
WEST ELEVATION - MOTOR COURT

H-5



1 WEST ELEVATION - PHASE 2 MOTOR COURT - WATER STREET

KEYNOTE MATERIAL INDEX			
01	GRANITE WATERTABLE	12	BRONZE ANODIZED ALUMINUM STOREFRONT FRAMES WITH NO GLAZING
02	RUSTICATED BRICK	13	BRONZE ANODIZED WINDOWS WITH CLEAR GLAZING
03	BRICK SEGMENTAL ARCH	14	PRE-FINISHED METAL RAILING
04	BRICK JACK ARCH	15	PRE-FINISHED METAL SCREENING
05	BRICK KEYSTONE	16	PRE-FINISHED METAL OVERHEAD COILING DOOR
06	ARCHITECTURAL CAST STONE ELLIPTICAL ARCH	17	PRE-FINISHED METAL SCREEN WALL
07	ARCHITECTURAL CAST STONE	18	BRONZE SIGNAGE
08	BRICK	19	CARVED INCISED TEXT
09	ZINC COATED ROOFING	20	ARCHITECTURAL WALL SCONCE
10	ZINC COATED OCULUS WITH GLAZING	21	CITY SPECIFIED POLE LIGHTS
11	LEVELS 1 & 5 - BRONZE ANODIZED ALUMINUM STOREFRONT WITH CLEAR GLAZING	22	CLEAR GLAZING
11	LEVELS 2 - 4 - BRONZE ANODIZED ALUMINUM STOREFRONT WITH CLEAR GLAZING & SPANDREL PANELS	23	TEMPERED SAFETY CLEAR GLAZING



KEYED PLAN
NOT TO SCALE



eppstein uhen : architects

milwaukee 333 East Chicago Street
Milwaukee, Wisconsin 53202
telephone 414.271.5350
madison 309 West Johnson Street, Suite 202
Madison, Wisconsin 53703
telephone 608.442.5350

DALGLIESH GILPIN PAXTON ARCHITECTS
ARCHITECTURE + HISTORIC PRESERVATION + PLANNING + INTERIOR DESIGN

206 Fifth Street NE
Charlottesville Virginia 22902
T 434 977 4400
F 434 296 8720
info@dgpaarchitects.com

PROJECT INFORMATION

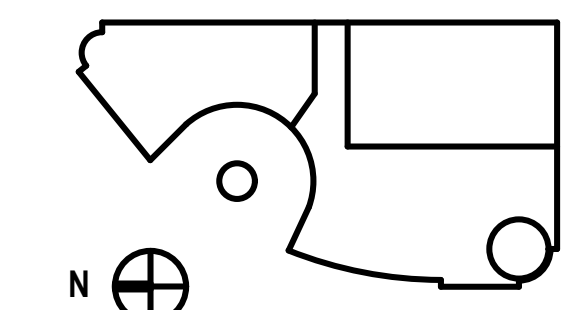
MILWAUKEE OFFICE BUILDING

210 E. Knapp Street
Milwaukee, WI

ISSUANCE

DPD SUBMITTAL

KEY PLAN



SHEET INFORMATION

PROJECT MANAGER ER

PROJECT NUMBER 215522-01

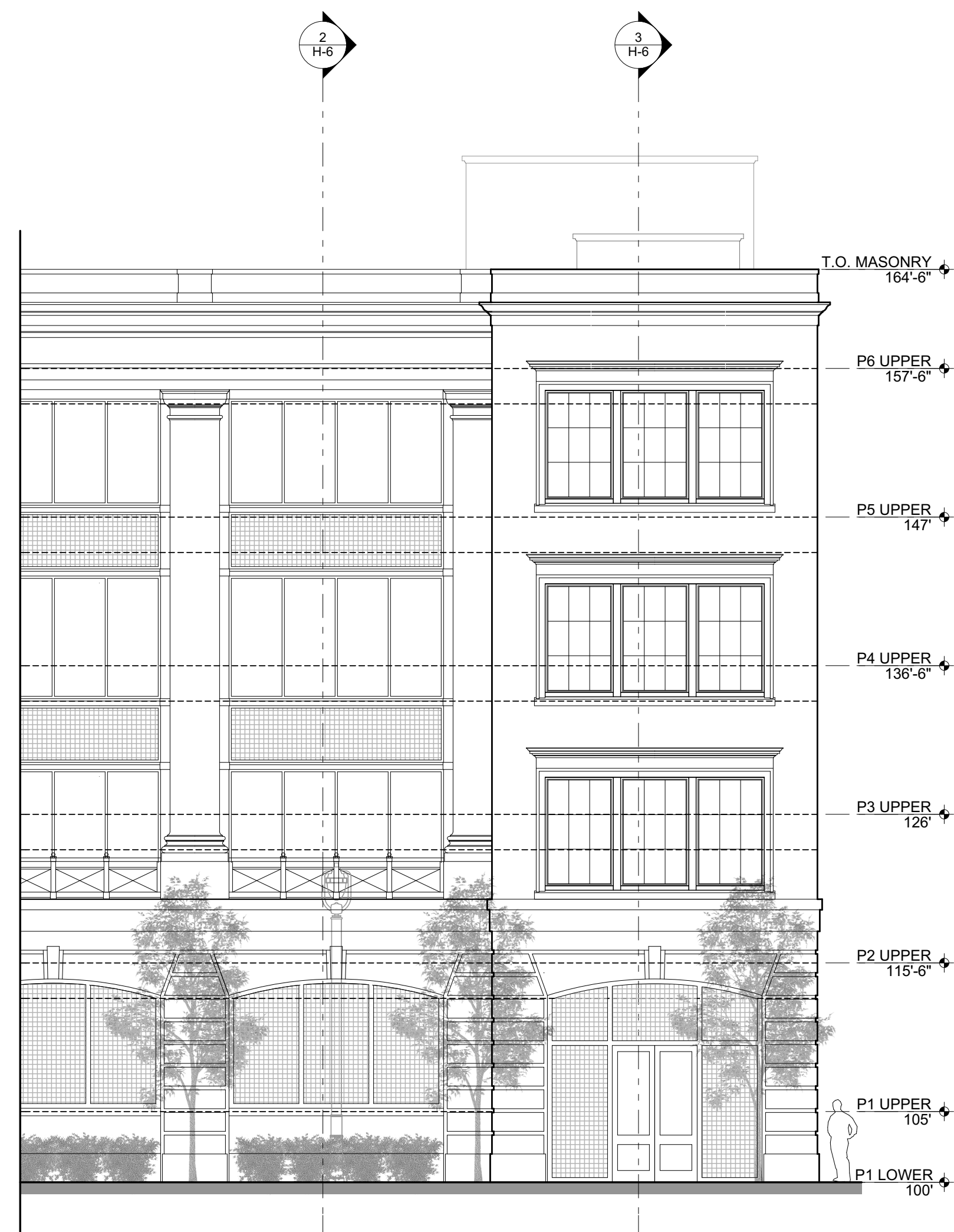
DATE 10/14/2016

SOUTH SECTIONS

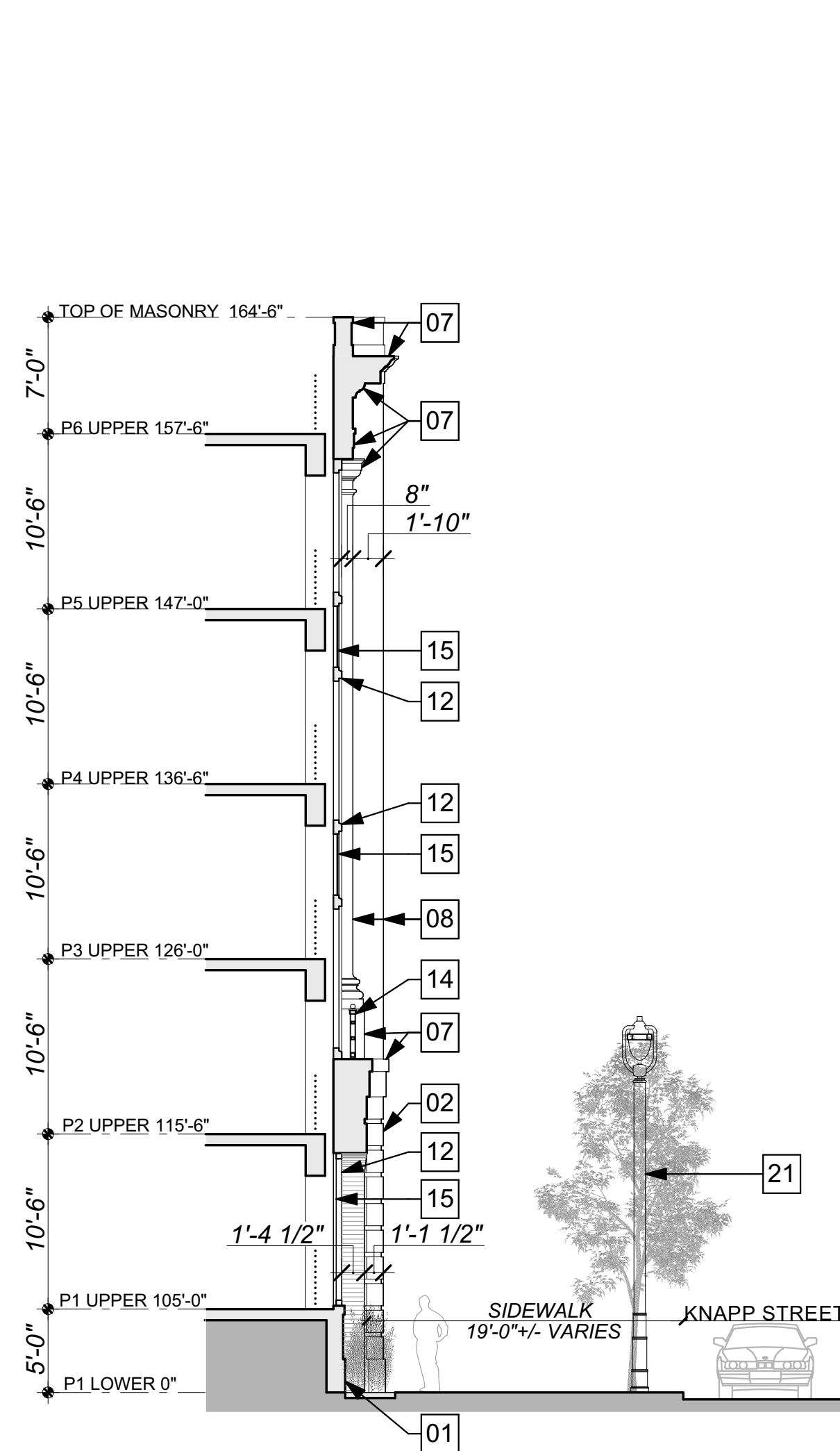
C

B

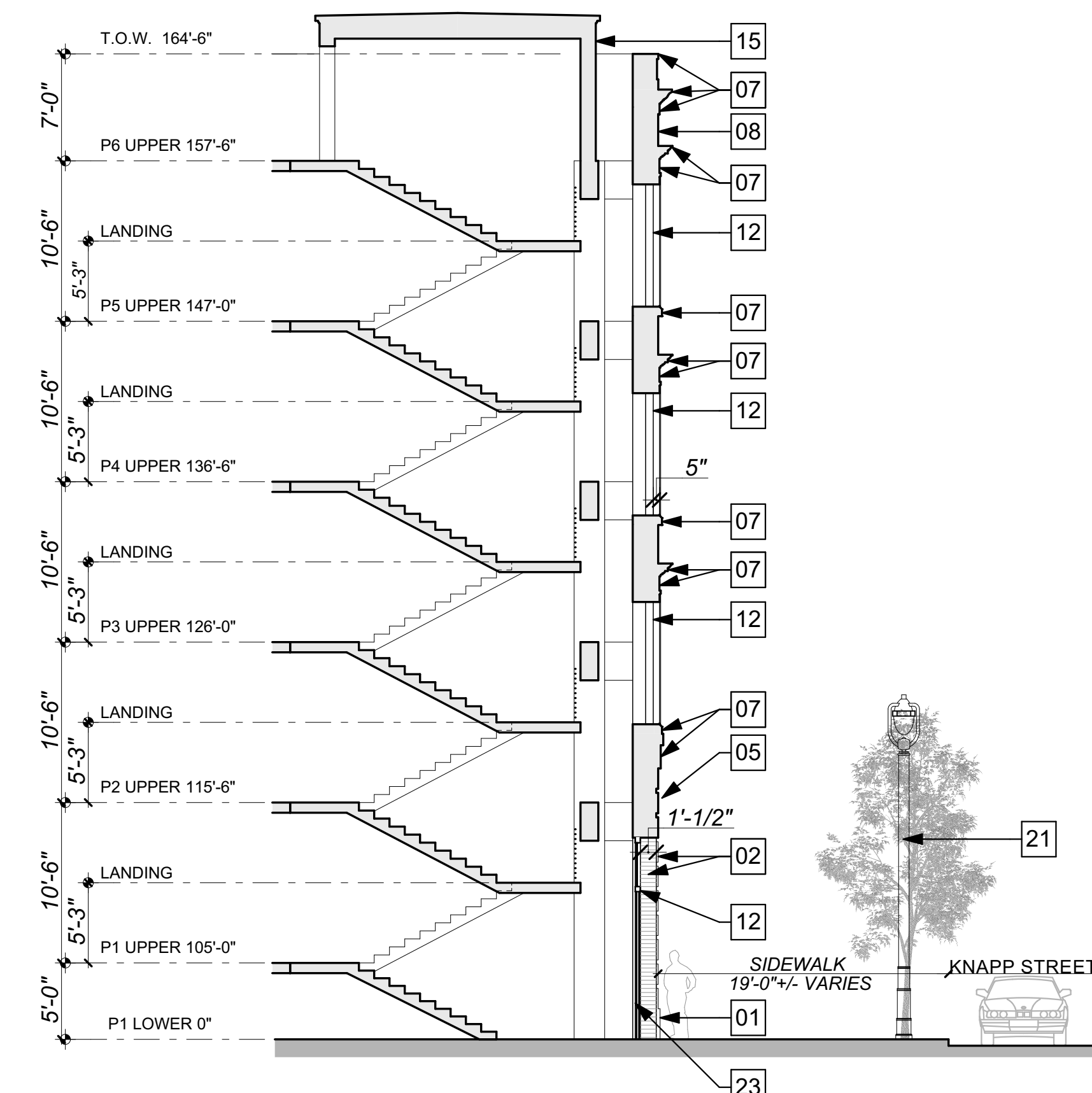
A



1 SOUTH ELEVATION DETAIL - KNAPP STREET

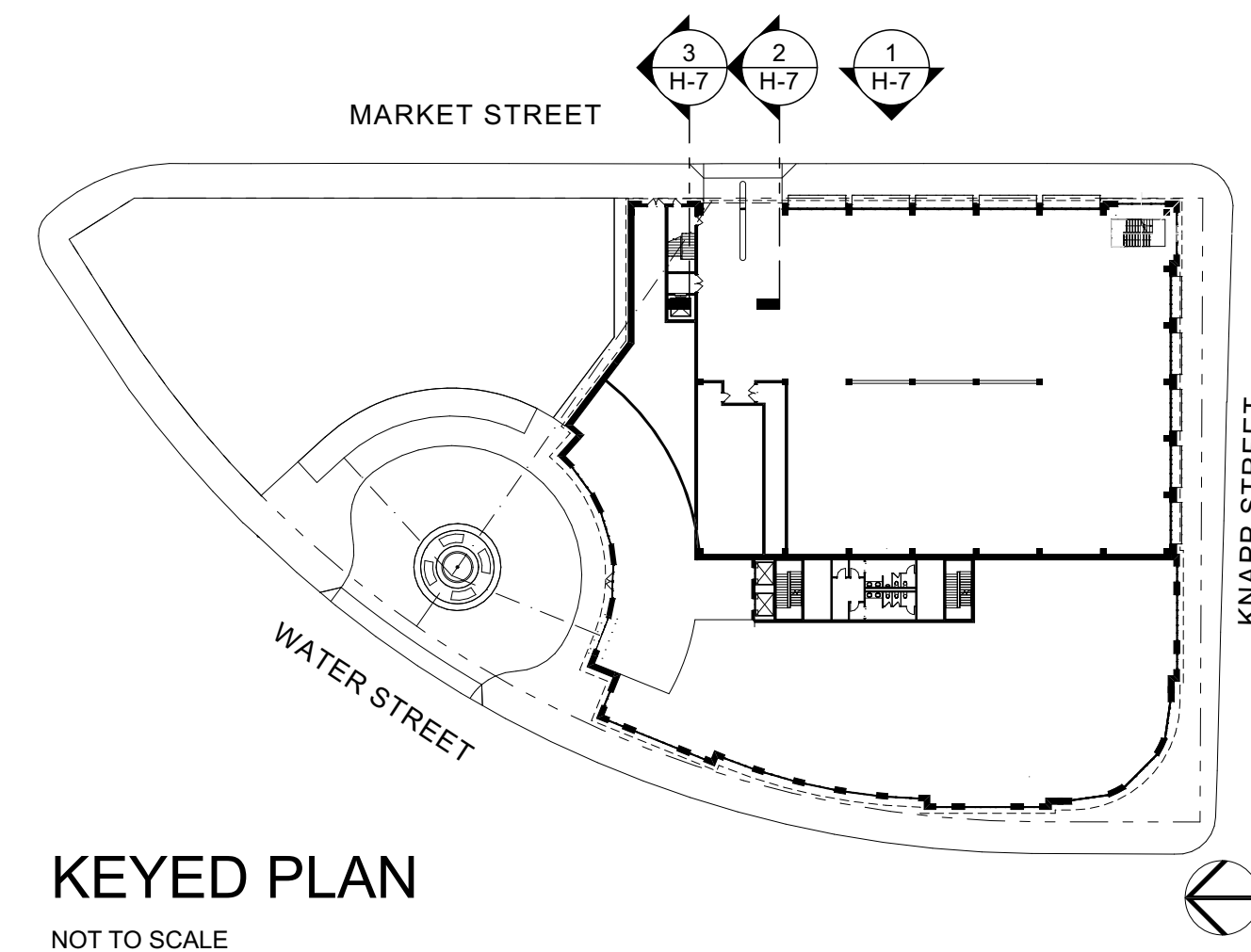


2 BUILDING SECTION - KNAPP STREET



3 BUILDING SECTION - KNAPP STREET

KEYNOTE MATERIAL INDEX	
01	GRANITE WATERTABLE
02	RUSTICATED BRICK
03	BRICK SEGMENTAL ARCH
04	BRICK JACK ARCH
05	BRICK KEYSTONE
06	ARCHITECTURAL CAST STONE ELLIPTICAL ARCH
07	ARCHITECTURAL CAST STONE
08	BRICK
09	ZINC COATED ROOFING
10	ZINC COATED OCULUS WITH GLAZING
11	LEVELS 1 & 5 - BRONZE ANODIZED ALUMINUM STOREFRONT WITH CLEAR GLAZING & SPANDREL PANELS
12	BRONZE ANODIZED ALUMINUM STOREFRONT FRAMES WITH NO GLAZING
13	BRONZE ANODIZED WINDOWS WITH CLEAR GLAZING
14	PRE-FINISHED METAL RAILING
15	PRE-FINISHED METAL SCREENING
16	PRE-FINISHED METAL OVERHEAD COILING DOOR
17	PRE-FINISHED METAL SCREEN WALL
18	BRONZE SIGNAGE
19	CARVED INCISED TEXT
20	ARCHITECTURAL WALL SCONCE
21	CITY SPECIFIED POLE LIGHTS
22	CLEAR GLAZING
23	TEMPERED SAFETY CLEAR GLAZING



eppstein uhen : architects

milwaukee 333 East Chicago Street
Milwaukee, Wisconsin 53202
telephone 414.271.5350

madison 309 West Johnson Street, Suite 202
Madison, Wisconsin 53703
telephone 608.442.5350

DALGLIESH GILPIN PAXTON ARCHITECTS
ARCHITECTURE + HISTORIC PRESERVATION + PLANNING + INTERIOR DESIGN

206 Fifth Street NE
Charlottesville Virginia 22902
T 434 977 4400
F 434 296 8720
info@dgpaarchitects.com

PROJECT INFORMATION

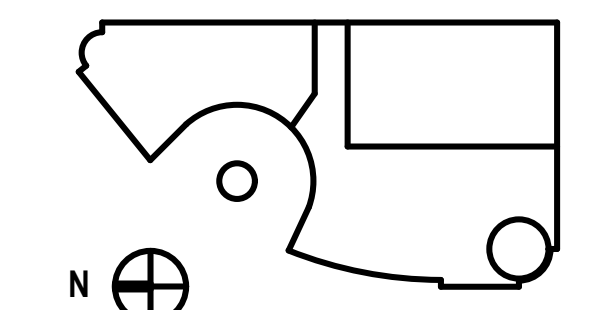
MILWAUKEE OFFICE BUILDING

210 E. Knapp Street
Milwaukee, WI

ISSUANCE

DPD SUBMITTAL

KEY PLAN



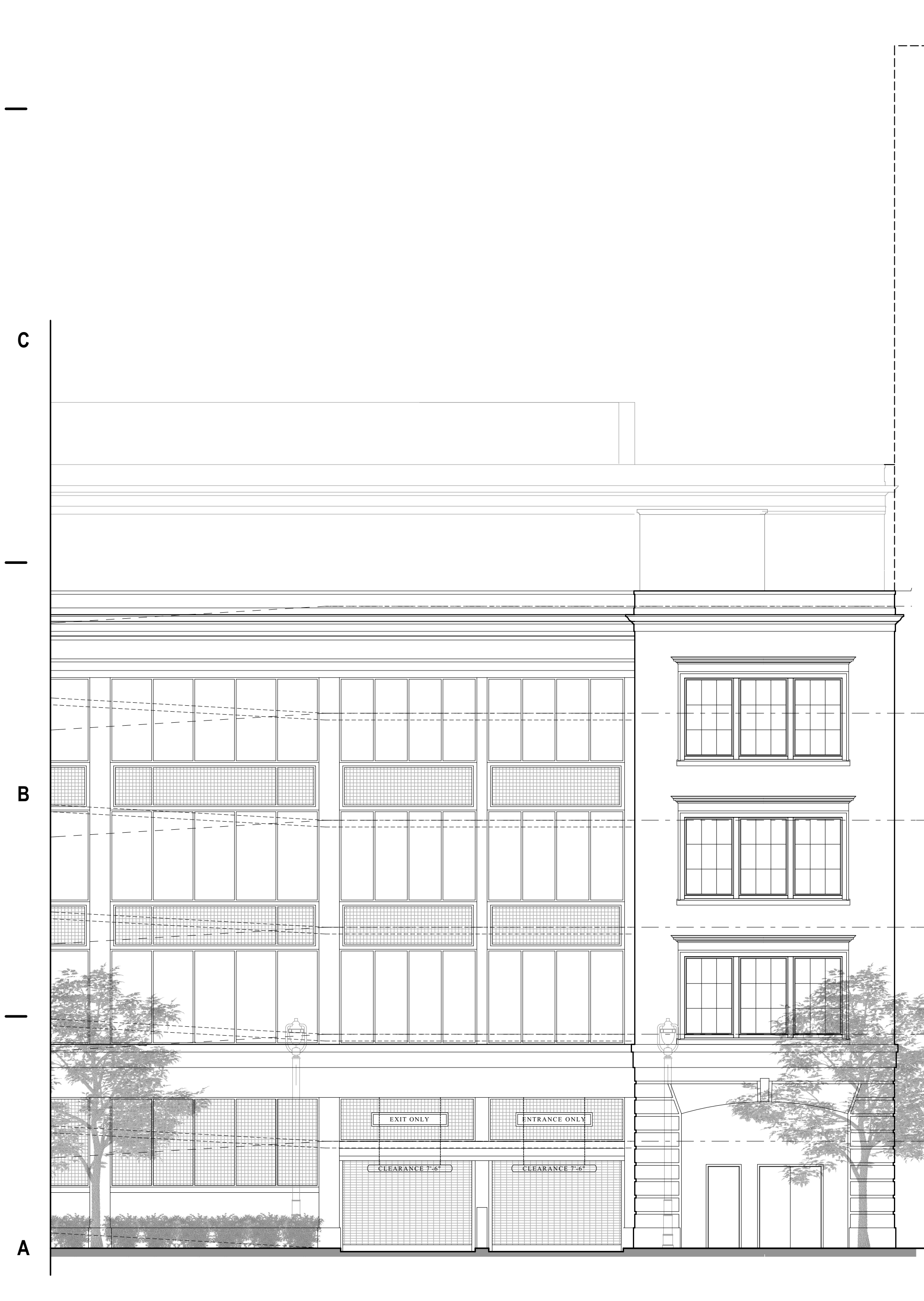
SHEET INFORMATION

PROJECT MANAGER ER

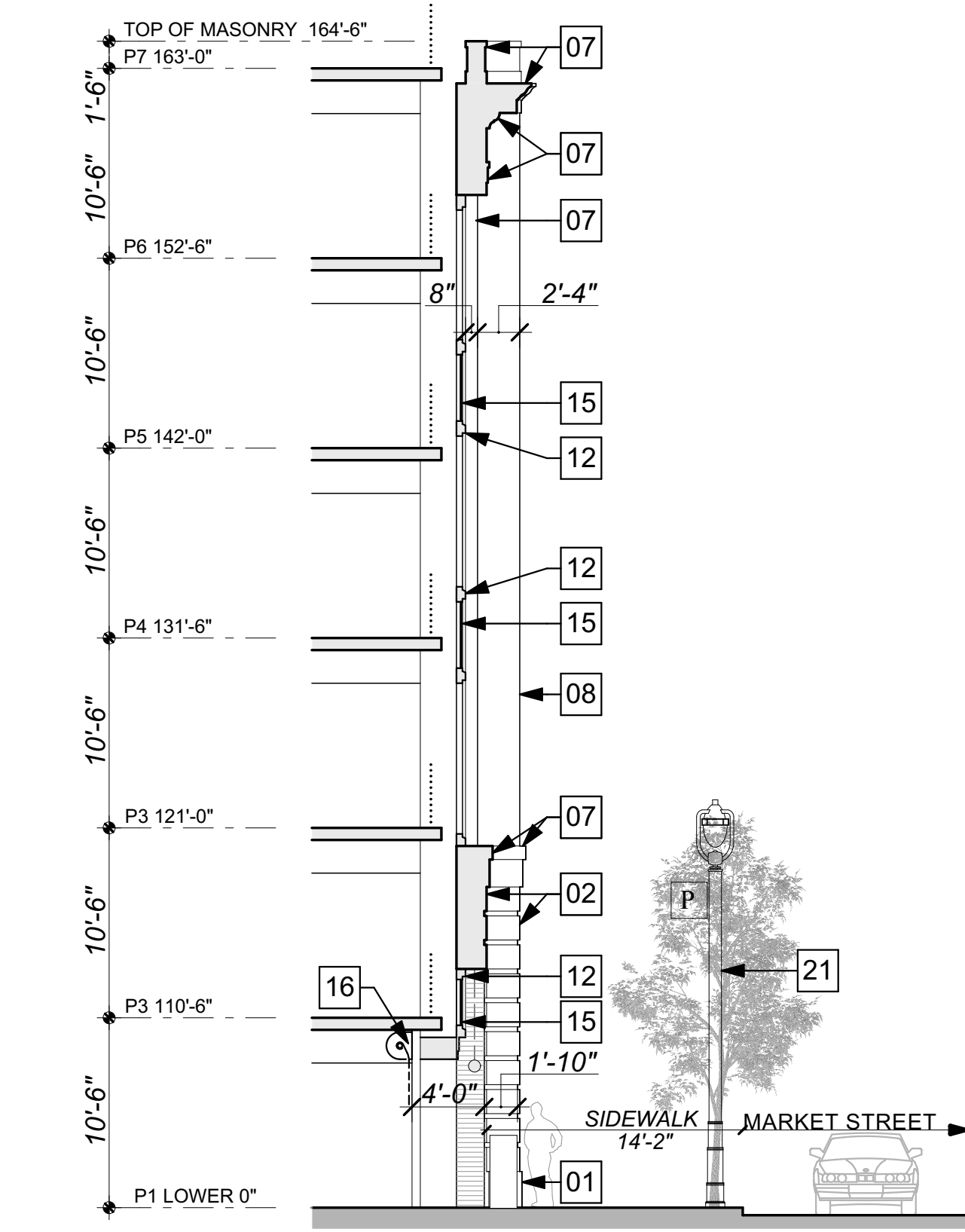
PROJECT NUMBER 215522-01

DATE 10/14/2016

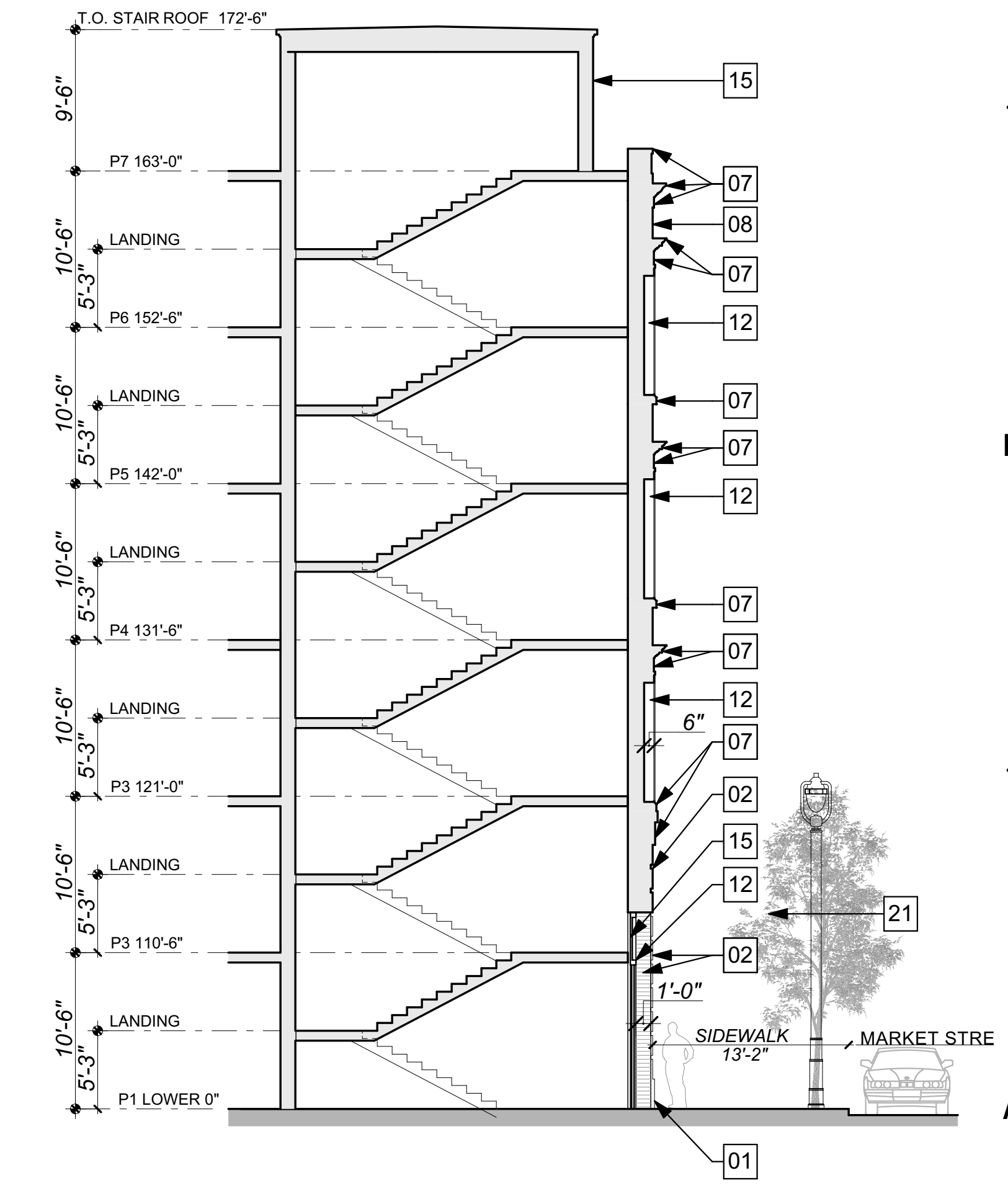
EAST SECTIONS



1 EAST ELEVATION DETAIL - MARKET STREET



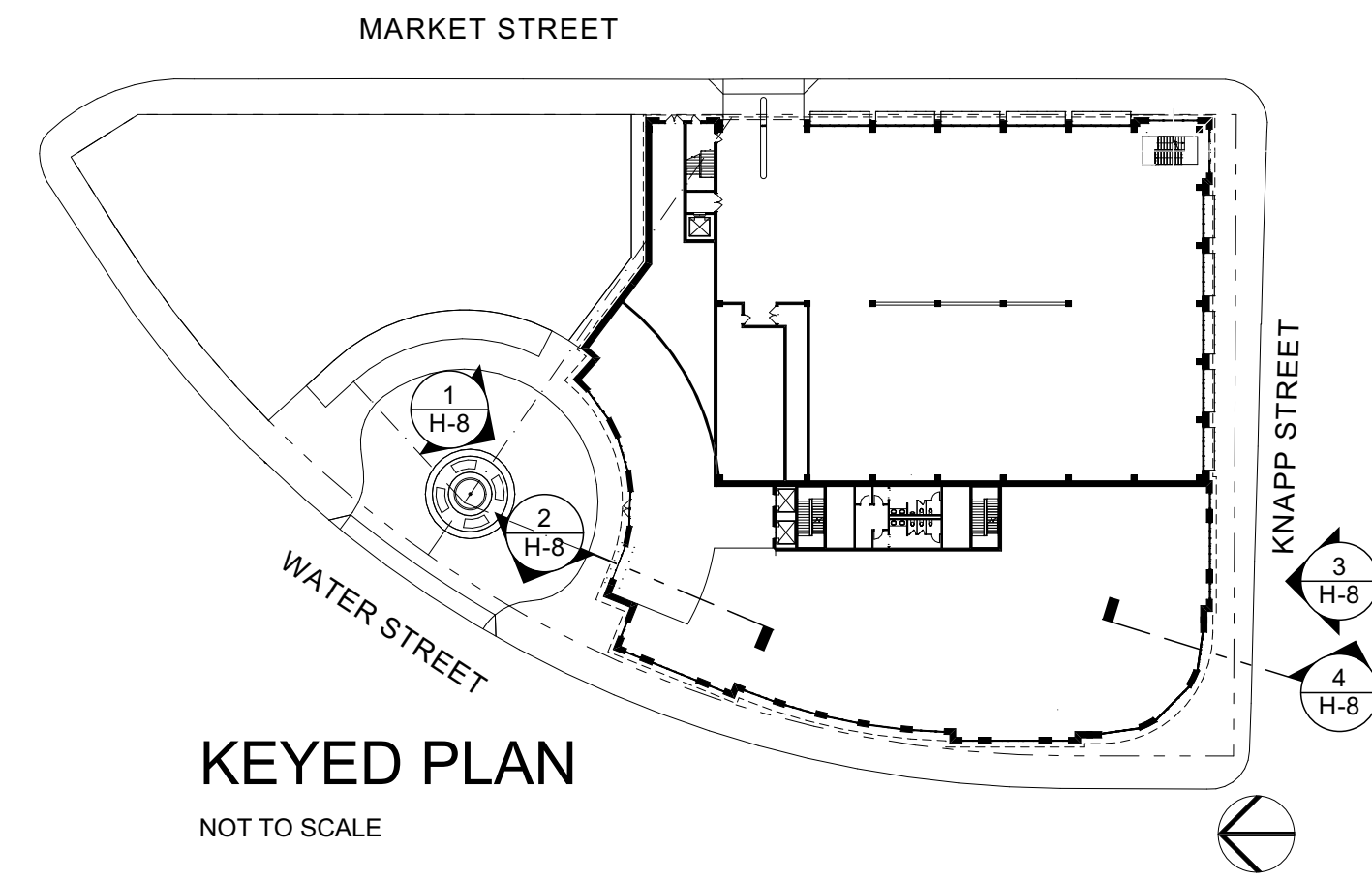
2 BUILDING SECTION - MARKET STREET



3 BUILDING SECTION - MARKET STREET

H-7

KEYNOTE MATERIAL INDEX			
01	GRANITE WATERTABLE	12	BRONZE ANODIZED ALUMINUM STOREFRONT FRAMES WITH NO GLAZING
02	RUSTICATED BRICK	13	BRONZE ANODIZED WINDOWS WITH CLEAR GLAZING
03	BRICK SEGMENTAL ARCH	14	PRE-FINISHED METAL RAILING
04	BRICK JACK ARCH	15	PRE-FINISHED METAL SCREENING
05	BRICK KEYSTONE	16	PRE-FINISHED METAL OVERHEAD COILING DOOR
06	ARCHITECTURAL CAST STONE ELLIPTICAL ARCH	17	PRE-FINISHED METAL SCREEN WALL
07	ARCHITECTURAL CAST STONE	18	BRONZE SIGNAGE
08	BRICK	19	CARVED INCISED TEXT
09	ZINC COATED ROOFING	20	ARCHITECTURAL WALL SCONCE
10	ZINC COATED OCULUS WITH GLAZING	21	CITY SPECIFIED POLE LIGHTS
11	LEVELS 1 & 5 - BRONZE ANODIZED ALUMINUM STOREFRONT WITH CLEAR GLAZING	22	CLEAR GLAZING
12	LEVELS 2 - 4 - BRONZE ANODIZED ALUMINUM STOREFRONT WITH CLEAR GLAZING & SPANDREL PANELS	23	TEMPERED SAFETY CLEAR GLAZING



KEYED PLAN
NOT TO SCALE



eppstein uhen : architects

milwaukee 333 East Chicago Street
Milwaukee, Wisconsin 53202
telephone 414.271.5350
madison 309 West Johnson Street, Suite 202
Madison, Wisconsin 53703
telephone 608.442.5350

DALGLIESH GILPIN PAXTON ARCHITECTS
ARCHITECTURE + HISTORIC PRESERVATION + PLANNING + INTERIOR DESIGN

206 Fifth Street NE
Charlottesville Virginia 22902
T 434.977.4400
F 434.296.8720
info@dgpaarchitects.com

PROJECT INFORMATION

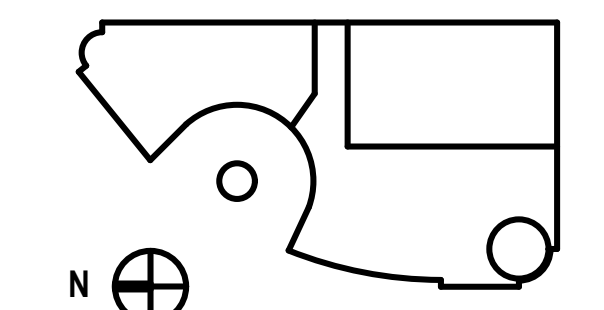
MILWAUKEE OFFICE BUILDING

210 E. Knapp Street
Milwaukee, WI

ISSUANCE

DPD SUBMITTAL

KEY PLAN



SHEET INFORMATION

PROJECT MANAGER ER

PROJECT NUMBER 215522-01

DATE 10/14/2016

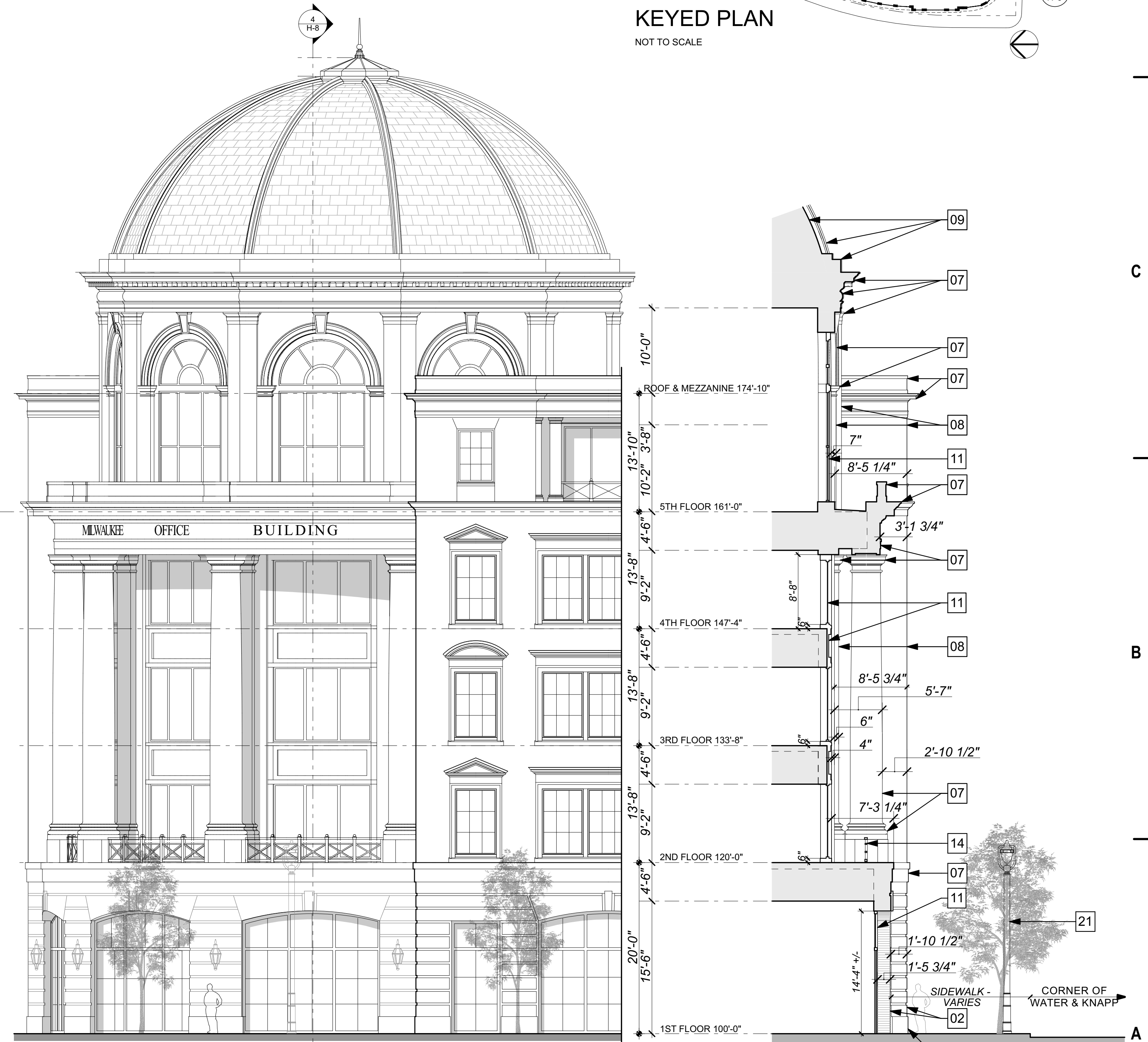
MOTOR COURT & SOUTHWEST SECTIONS

H-8



1 MOTOR COURT ELEVATION DETAIL - WATER STREET

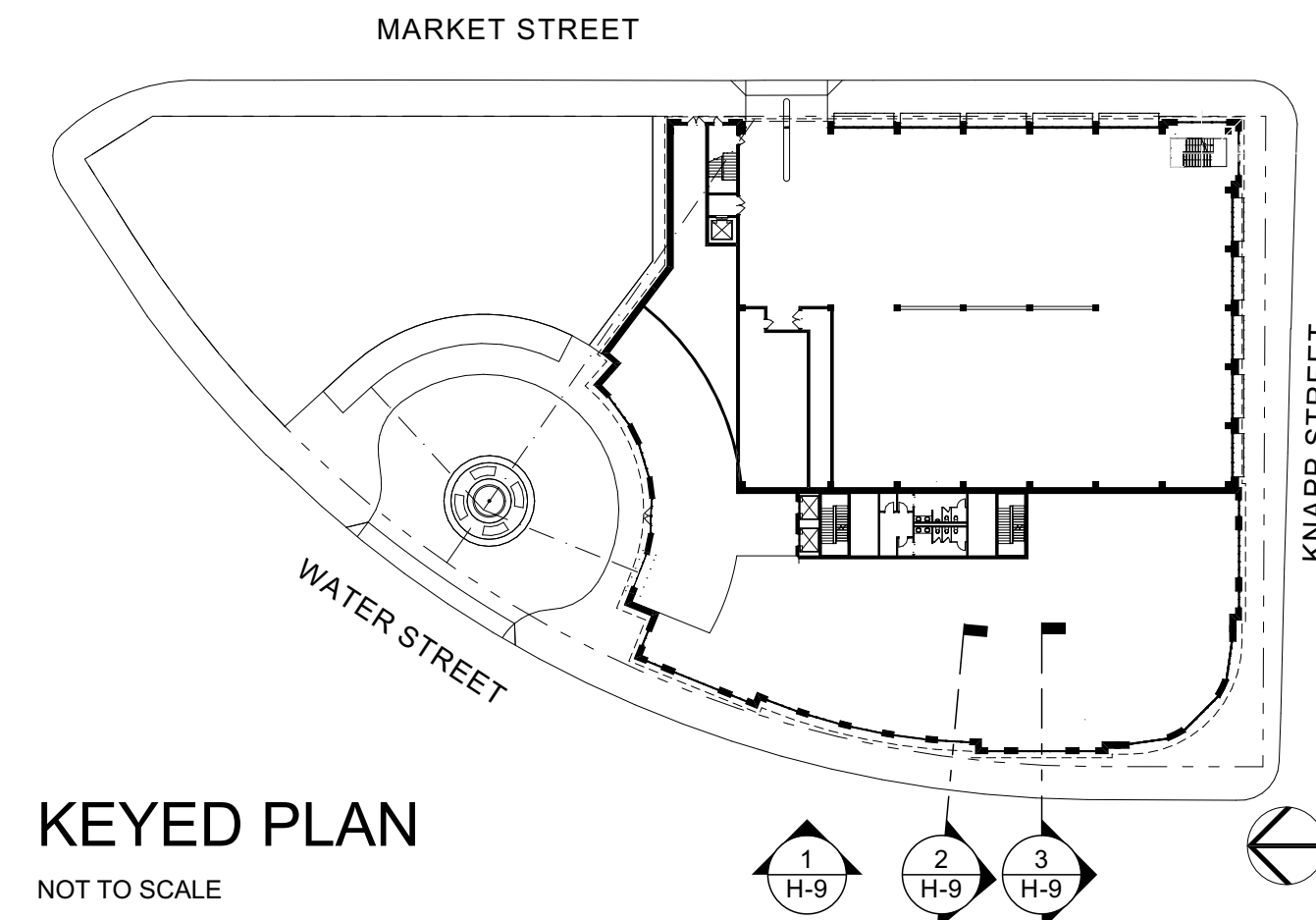
2 BUILDING SECTION - MOTOR COURT



3 SOUTHWEST ELEVATION DETAIL - WATER & KNAPP STREET

4 SOUTHWEST BUILDING SECTION

KEYNOTE MATERIAL INDEX	
01	GRANITE WATERTABLE
02	RUSTICATED BRICK
03	BRICK SEGMENTAL ARCH
04	BRICK JACK ARCH
05	BRICK KEYSTONE
06	ARCHITECTURAL CAST STONE ELLIPTICAL ARCH
07	ARCHITECTURAL CAST STONE
08	BRICK
09	ZINC COATED ROOFING
10	ZINC COATED OCULUS WITH GLAZING
11	LEVELS 1 & 5 - BRONZE ANODIZED ALUMINUM STOREFRONT WITH CLEAR GLAZING
12	BRONZE ANODIZED ALUMINUM STOREFRONT FRAMES WITH NO GLAZING
13	BRONZE ANODIZED WINDOWS WITH CLEAR GLAZING
14	PRE-FINISHED METAL RAILING
15	PRE-FINISHED METAL SCREENING
16	PRE-FINISHED METAL OVERHEAD COILING DOOR
17	PRE-FINISHED METAL SCREEN WALL
18	BRONZE SIGNAGE
19	CARVED INCISED TEXT
20	ARCHITECTURAL WALL SCONCE
21	CITY SPECIFIED POLE LIGHTS
22	CLEAR GLAZING
23	TEMPERED SAFETY CLEAR GLAZING



KEYED PLAN
NOT TO SCALE



eppstein uhen : architects

milwaukee 333 East Chicago Street
Milwaukee, Wisconsin 53202
telephone 414.271.5350
madison 309 West Johnson Street, Suite 202
Madison, Wisconsin 53703
telephone 608.442.5350

DALGLIESH GILPIN PAXTON ARCHITECTS
ARCHITECTURE + HISTORIC PRESERVATION + PLANNING + INTERIOR DESIGN

206 Fifth Street NE
Charlottesville Virginia 22902
T 434 977 4400
F 434 296 8720
info@dgpaarchitects.com

PROJECT INFORMATION

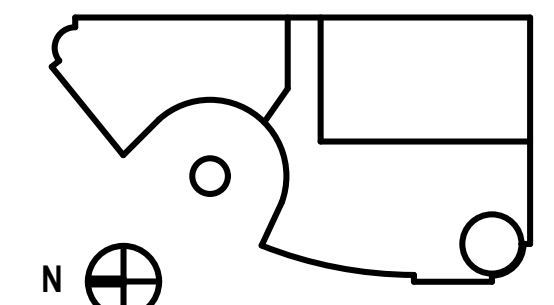
MILWAUKEE OFFICE BUILDING

210 E. Knapp Street
Milwaukee, WI

ISSUANCE

DPD SUBMITTAL

KEY PLAN



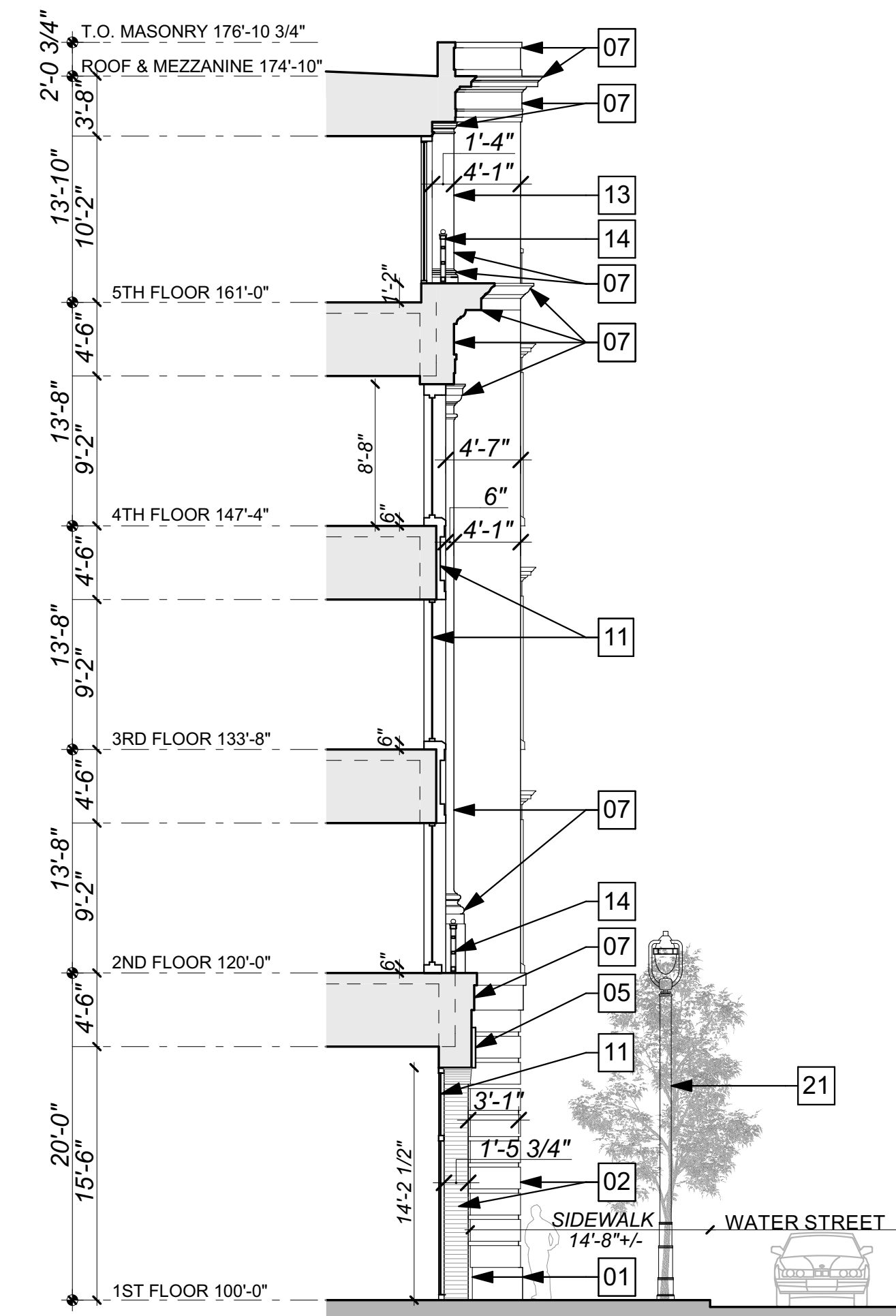
SHEET INFORMATION

PROJECT MANAGER ER
PROJECT NUMBER 215522-01
DATE 10/14/2016

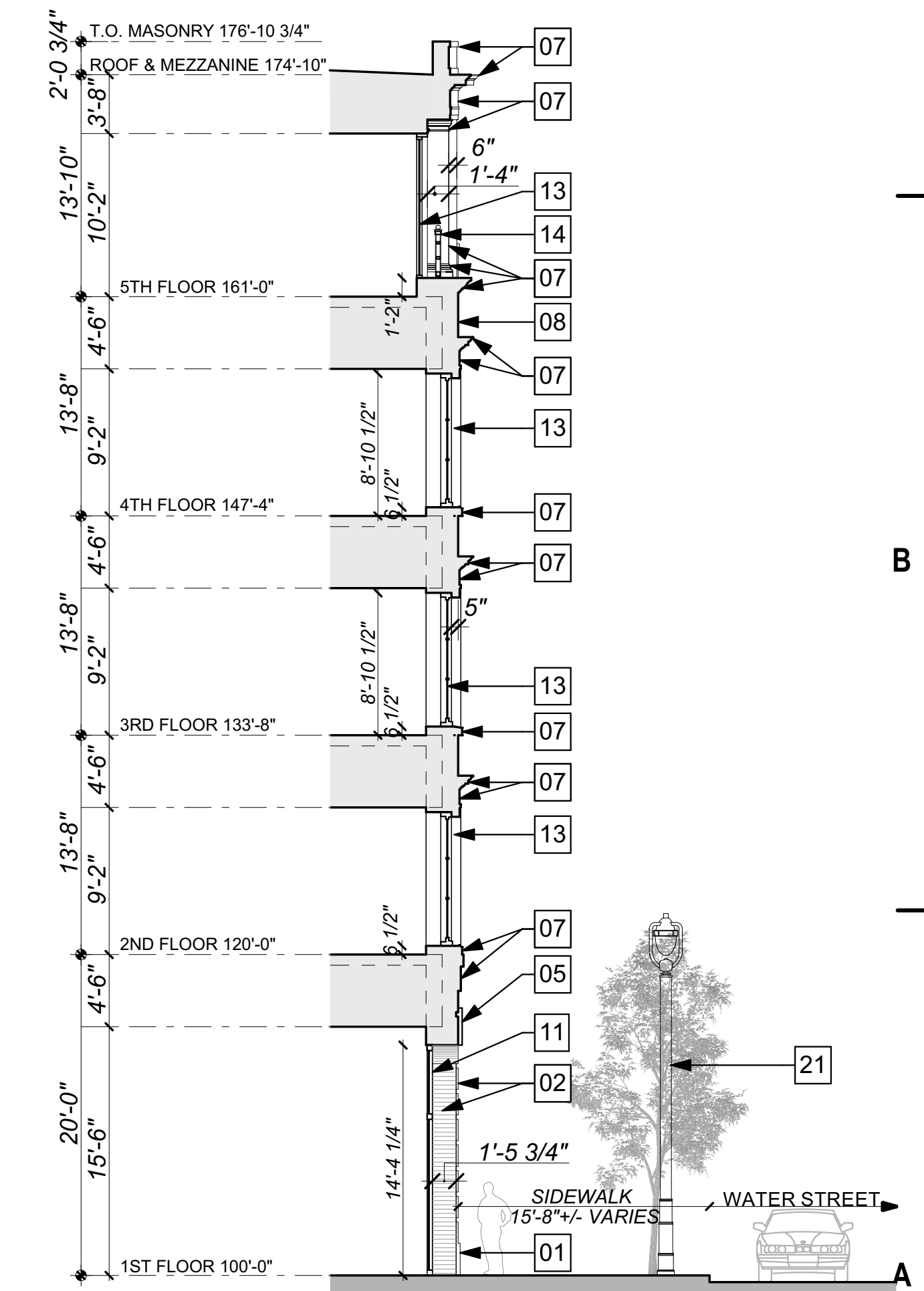
WEST SECTIONS



1 WEST ELEVATION DETAIL - WATER STREET

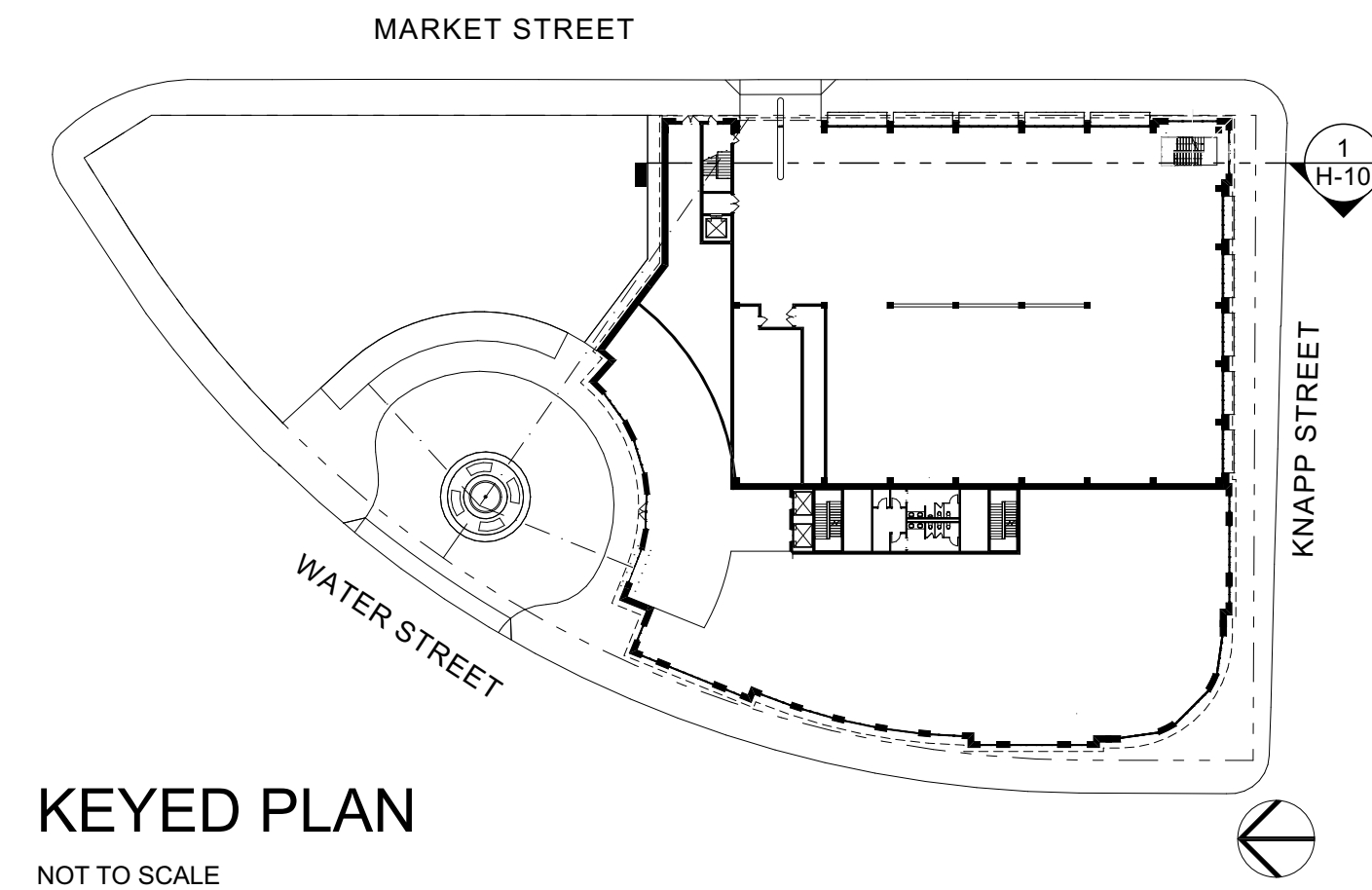


2 BUILDING SECTION

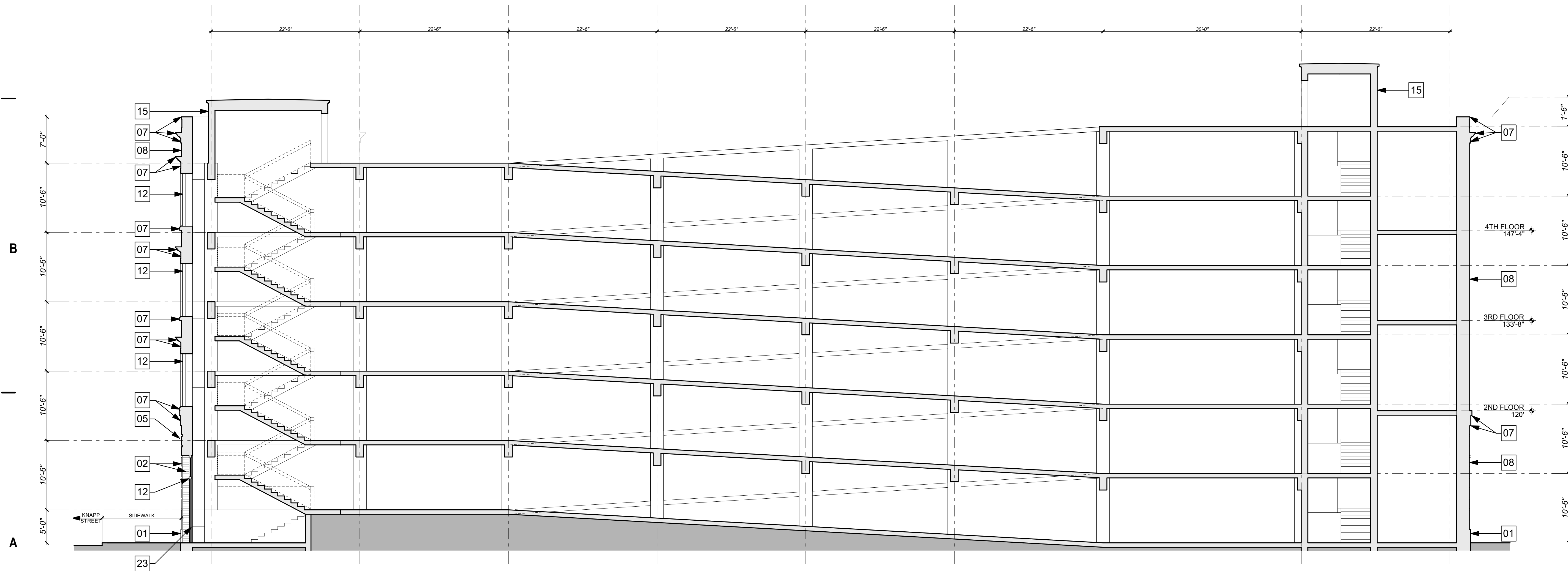


3 BUILDING SECTION

KEYNOTE MATERIAL INDEX			
01	GRANITE WATERTABLE	12	BRONZE ANODIZED ALUMINUM STOREFRONT FRAMES WITH NO GLAZING
02	RUSTICATED BRICK	13	BRONZE ANODIZED WINDOWS WITH CLEAR GLAZING
03	BRICK SEGMENTAL ARCH	14	PRE-FINISHED METAL RAILING
04	BRICK JACK ARCH	15	PRE-FINISHED METAL SCREENING
05	BRICK KEYSTONE	16	PRE-FINISHED METAL OVERHEAD COILING DOOR
06	ARCHITECTURAL CAST STONE ELLIPTICAL ARCH	17	PRE-FINISHED METAL SCREEN WALL
07	ARCHITECTURAL CAST STONE	18	BRONZE SIGNAGE
08	BRICK	19	CARVED INCISED TEXT
09	ZINC COATED ROOFING	20	ARCHITECTURAL WALL SCONCE
10	ZINC COATED OCULUS WITH GLAZING	21	CITY SPECIFIED POLE LIGHTS
11	LEVELS 1 & 5 - BRONZE ANODIZED ALUMINUM STOREFRONT WITH CLEAR GLAZING	22	CLEAR GLAZING
	LEVELS 2 - 4 - BRONZE ANODIZED ALUMINUM STOREFRONT WITH CLEAR GLAZING & SPANDREL PANELS	23	TEMPERED SAFETY CLEAR GLAZING



KEYED PLAN
NOT TO SCALE



1 N-S GARAGE SECTION
0 4' 8' 16'



eppstein uhen : architects

milwaukee 333 East Chicago Street
Milwaukee, Wisconsin 53202
telephone 414.271.5350
madison 309 West Johnson Street, Suite 202
Madison, Wisconsin 53703
telephone 608.442.5350

DALGLIESH GILPIN PAXTON ARCHITECTS
ARCHITECTURE + HISTORIC PRESERVATION + PLANNING + INTERIOR DESIGN

206 Fifth Street NE
Charlottesville Virginia 22902
T 434 977 4400
F 434 296 8720
info@dgparchitects.com

PROJECT INFORMATION

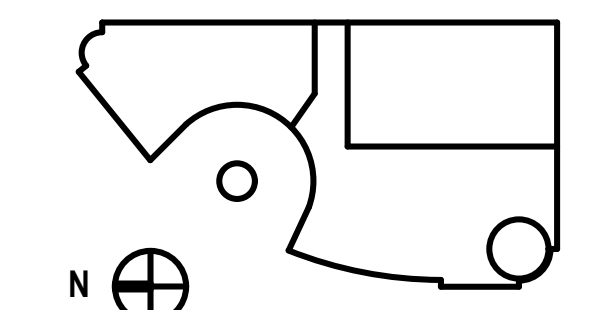
MILWAUKEE OFFICE BUILDING

210 E. Knapp Street
Milwaukee, WI

ISSUANCE

DPD SUBMITTAL

KEY PLAN



SHEET INFORMATION

PROJECT MANAGER ER

PROJECT NUMBER 215522-01

DATE 10/14/2016

N-S GARAGE BUILDING SECTION

H-10

1 2 3 4 5 6



eppstein uhen : architects

milwaukee 333 East Chicago Street
Milwaukee, Wisconsin 53202
telephone 414.271.5350
madison 309 West Johnson Street, Suite 202
Madison, Wisconsin 53703
telephone 608.442.5350

DALGLIESH GILPIN PAXTON ARCHITECTS
ARCHITECTURE + HISTORIC PRESERVATION + PLANNING + INTERIOR DESIGN

206 Fifth Street NE
Charlottesville Virginia 22902
T 434.977.4400
F 434.296.8720
info@dgparchitects.com

PROJECT INFORMATION

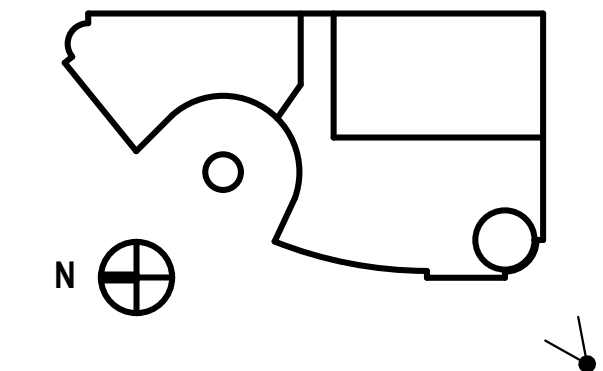
MILWAUKEE OFFICE BUILDING

210 E. Knapp Street
Milwaukee, WI

ISSUANCE

DPD SUBMITTAL

KEY PLAN



SHEET INFORMATION

PROJECT MANAGER ER

PROJECT NUMBER 215522-01

DATE 10/14/2016

SOUTHWEST VIEW



D

C

B

A

1 2 3 4 5 6

H-11

1 2 3 4 5 6



eppstein uhen : architects

milwaukee 333 East Chicago Street
Milwaukee, Wisconsin 53202
telephone 414.271.5350
madison 309 West Johnson Street, Suite 202
Madison, Wisconsin 53703
telephone 608.442.5350

DALGLIESH GILPIN PAXTON ARCHITECTS
ARCHITECTURE + HISTORIC PRESERVATION + PLANNING + INTERIOR DESIGN

206 Fifth Street NE
Charlottesville Virginia 22902
T 434.977.4400
F 434.296.8720
info@dgparchitects.com

PROJECT INFORMATION

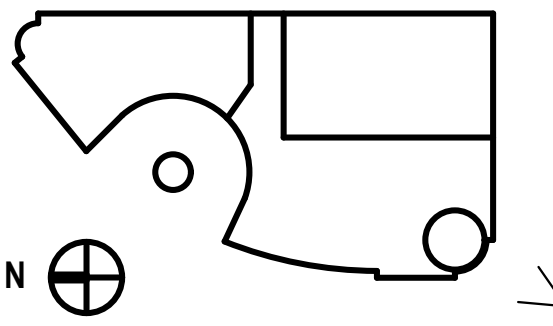
MILWAUKEE OFFICE BUILDING

210 E. Knapp Street
Milwaukee, WI

ISSUANCE

DPD SUBMITTAL

KEY PLAN



SHEET INFORMATION

PROJECT MANAGER ER

PROJECT NUMBER 215522-01

DATE 10/14/2016

SOUTH VIEW

H-12

D

C

B

A



1 2 3 4 5 6



eppstein uhen : architects

milwaukee 333 East Chicago Street
Milwaukee, Wisconsin 53202
telephone 414.271.5350
madison 309 West Johnson Street, Suite 202
Madison, Wisconsin 53703
telephone 608.442.5350

DALGLIESH GILPIN PAXTON ARCHITECTS
ARCHITECTURE + HISTORIC PRESERVATION + PLANNING + INTERIOR DESIGN

206 Fifth Street NE
Charlottesville Virginia 22902
T 434.977.4400
F 434.296.8720
info@dgparchitects.com

PROJECT INFORMATION

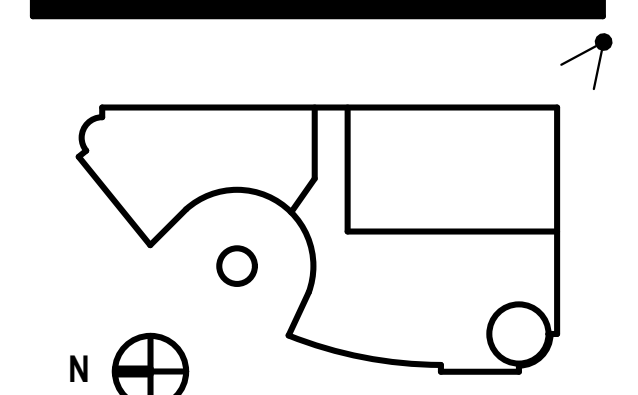
MILWAUKEE OFFICE BUILDING

210 E. Knapp Street
Milwaukee, WI

ISSUANCE

DPD SUBMITTAL

KEY PLAN



SHEET INFORMATION

PROJECT MANAGER ER

PROJECT NUMBER 215522-01

DATE 10/14/2016

SOUTHEAST VIEW

H-13



D

C

B

A

1

2

3

4

5

6

1

2

3

4

5

6



eppstein uhen : architects

milwaukee 333 East Chicago Street
Milwaukee, Wisconsin 53202
telephone 414.271.5350
madison 309 West Johnson Street, Suite 202
Madison, Wisconsin 53703
telephone 608.442.5350

DALGLIESH GILPIN PAXTON ARCHITECTS
ARCHITECTURE + HISTORIC PRESERVATION + PLANNING + INTERIOR DESIGN

206 Fifth Street NE
Charlottesville Virginia 22902
T 434.977.4400
F 434.296.8720
info@dgparchitects.com

PROJECT INFORMATION

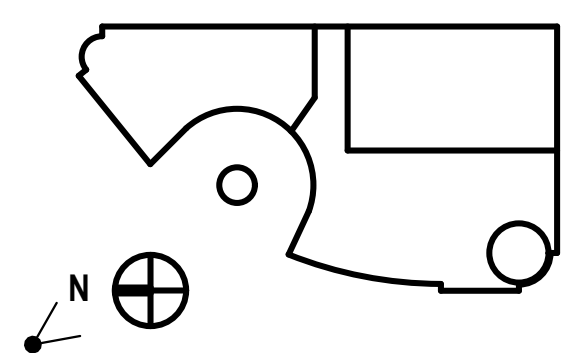
MILWAUKEE OFFICE BUILDING

210 E. Knapp Street
Milwaukee, WI

ISSUANCE

DPD SUBMITTAL

KEY PLAN



SHEET INFORMATION

PROJECT MANAGER ER

PROJECT NUMBER 215522-01

DATE 10/14/2016

**MOTOR COURT
PHASE I VIEW**

H-14



D

C

B

A

1

2

3

4

5

6

1

2

3

4

5

6



eppstein uhen : architects

milwaukee 333 East Chicago Street
Milwaukee, Wisconsin 53202
telephone 414.271.5350
madison 309 West Johnson Street, Suite 202
Madison, Wisconsin 53703
telephone 608.442.5350

DALGLIESH GILPIN PAXTON ARCHITECTS
ARCHITECTURE + HISTORIC PRESERVATION + PLANNING + INTERIOR DESIGN

206 Fifth Street NE
Charlottesville Virginia 22902
T 434.977.4400
F 434.296.8720
info@dgparchitects.com

PROJECT INFORMATION

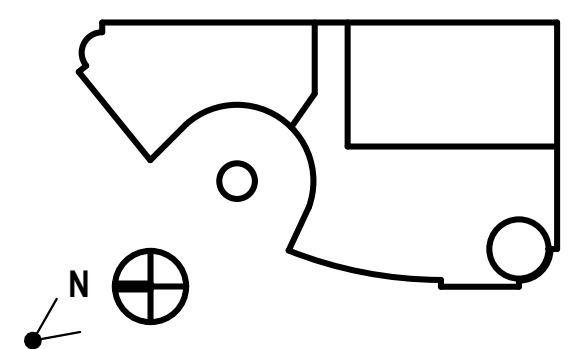
MILWAUKEE OFFICE BUILDING

210 E. Knapp Street
Milwaukee, WI

ISSUANCE

DPD SUBMITTAL

KEY PLAN



SHEET INFORMATION

PROJECT MANAGER ER

PROJECT NUMBER 215522-01

DATE 10/14/2016

**MOTOR COURT
PHASE II VIEW**

H-15



D

C

B

A

1

2

3

4

5

6

1

2

3

4

5

6



eppstein uhen : architects

milwaukee 333 East Chicago Street
Milwaukee, Wisconsin 53202
telephone 414.271.5350
madison 309 West Johnson Street, Suite 202
Madison, Wisconsin 53703
telephone 608.442.5350

DALGLIESH GILPIN PAXTON ARCHITECTS
ARCHITECTURE + HISTORIC PRESERVATION + PLANNING + INTERIOR DESIGN

206 Fifth Street NE
Charlottesville Virginia 22902
T 434 977 4400
F 434 296 8720
info@dgparchitects.com

PROJECT INFORMATION

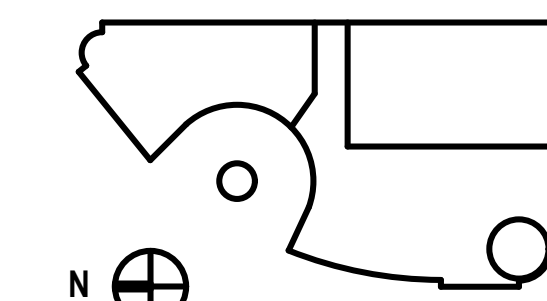
MILWAUKEE OFFICE BUILDING

210 E. Knapp Street
Milwaukee, WI

ISSUANCE

DPD SUBMITTAL

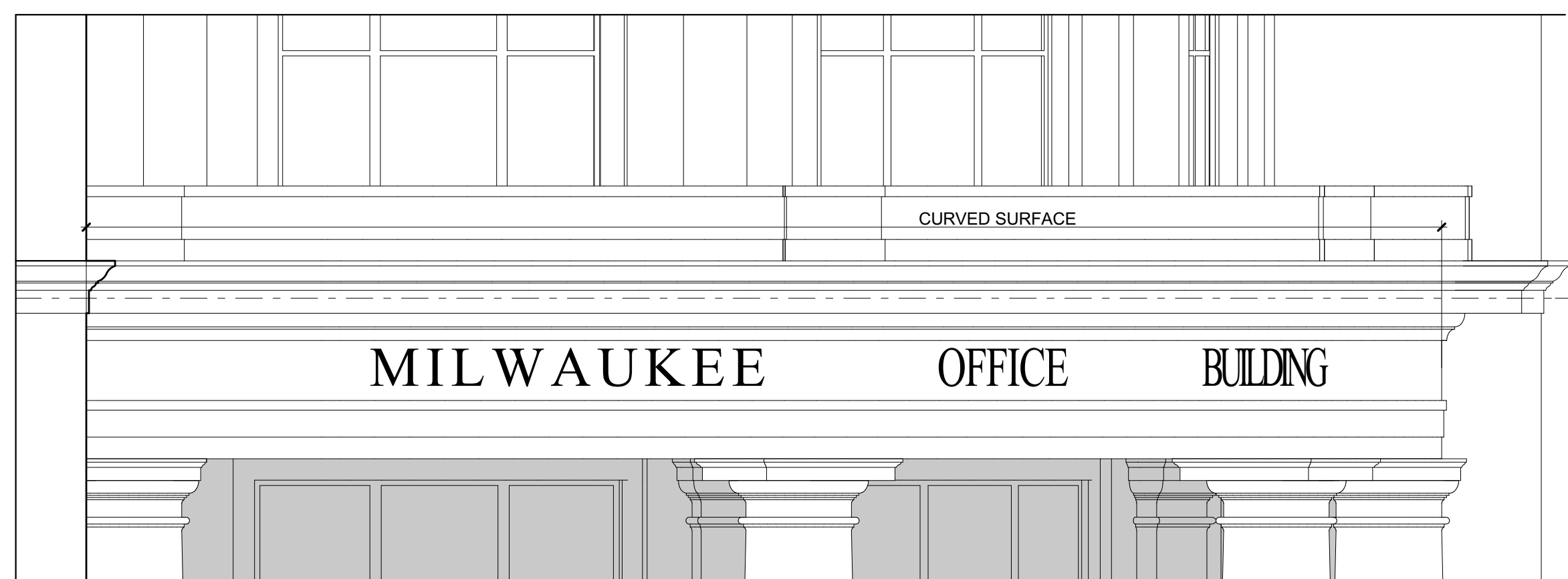
KEY PLAN



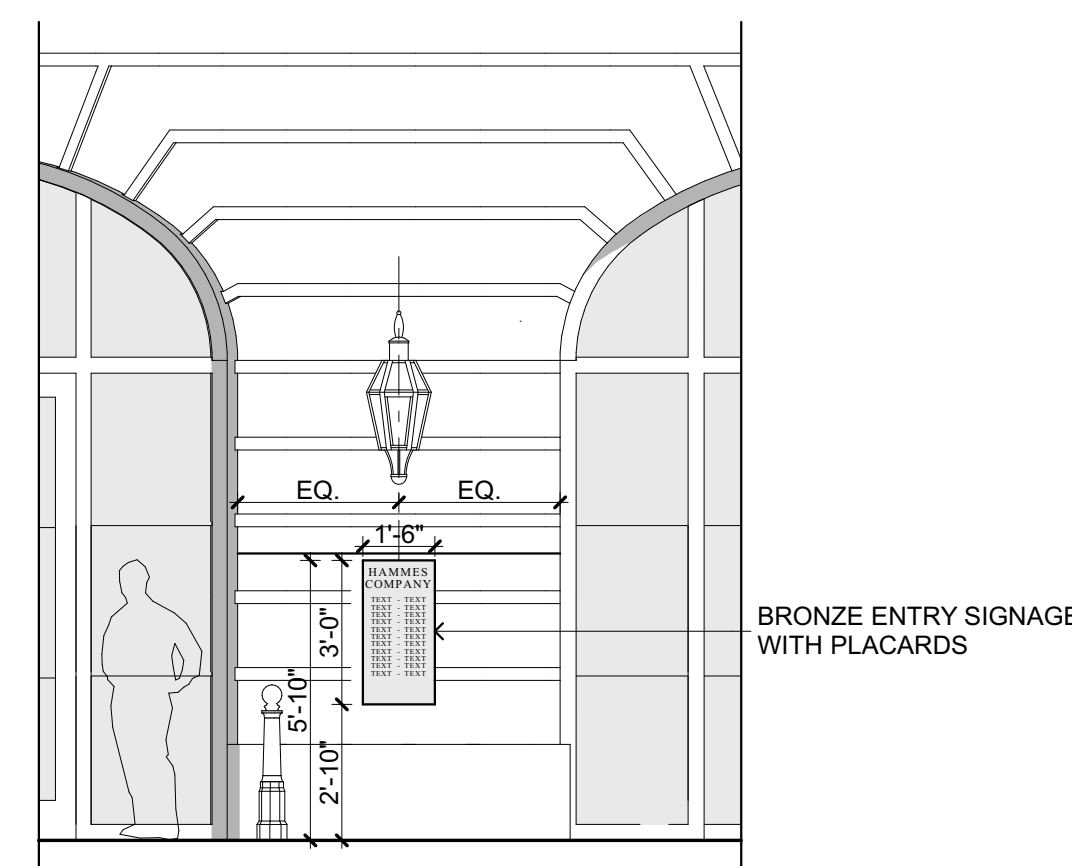
SHEET INFORMATION

PROJECT MANAGER ER
PROJECT NUMBER 215522-01
DATE 10/14/2016

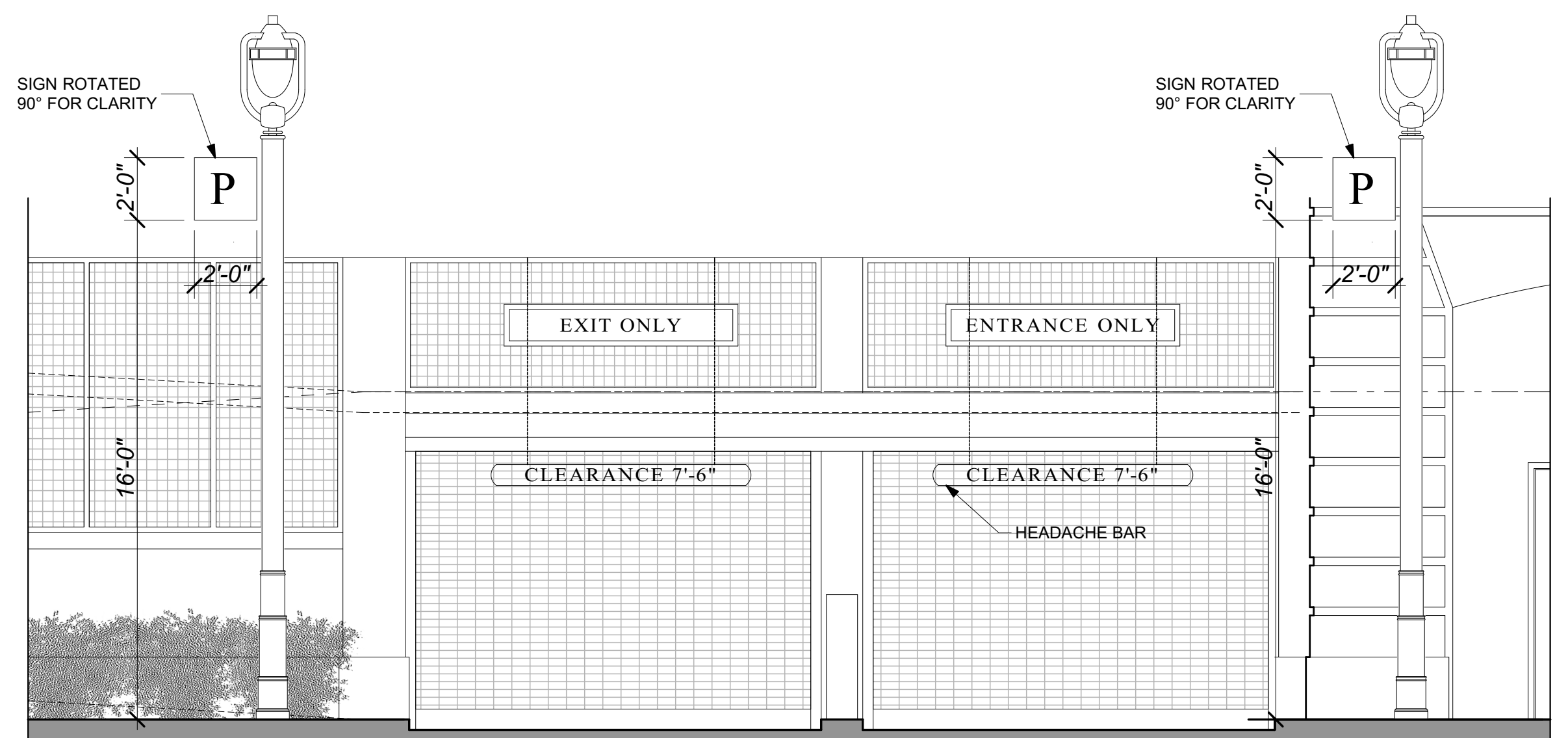
SIGNAGE ELEVATIONS



1 ELEVATION SIGNAGE
NOT TO SCALE



2 TYPICAL BUILDING ENTRY PLACARD
NOT TO SCALE



3 GARAGE SIGNAGE
NOT TO SCALE

D

C

B

A

1

2

3

4

5

6

1

2

3

4

5

6



eppstein uhen : architects

milwaukee 333 East Chicago Street
Milwaukee, Wisconsin 53202
telephone 414.271.5350
madison 309 West Johnson Street, Suite
202
Madison, Wisconsin 53703
telephone 608.442.5350

DALGLIESH GILPIN PAXTON ARCHITECTS
ARCHITECTURE + HISTORIC PRESERVATION + PLANNING + INTERIOR DESIGN

206 Fifth Street NE
Charlottesville Virginia 22902
T:434.577.4400
F:434.296.8720
info@dgpaarchitects.com

PROJECT INFORMATION

MILWAUKEE OFFICE BUILDING

210 E. Knapp Street
Milwaukee, WI

ISSUANCE

DPD SUBMITTAL

KEY PLAN

SHEET INFORMATION

PROJECT MANAGER ER

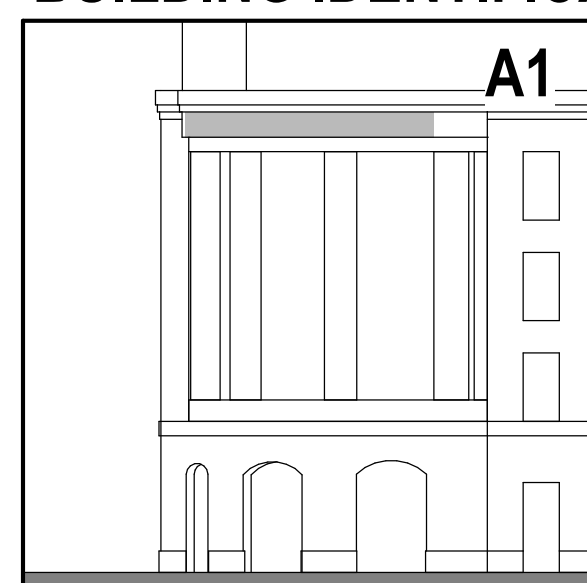
PROJECT NUMBER 215522-01

DATE 10/14/2016

SIGNAGE PLAN AND DETAILS

J-2

BUILDING IDENTIFICATION



BUILDING IDENTITY - BUILDING FACADE

PURPOSE:
PROJECT IDENTIFICATION ON ENTABLATURE OF OFFICE BUILDING ROTUNDA/MOTOR COURT

GUIDELINES:
FORM: DIMENSIONAL LETTERS

APPROX SIZE:
50'-0" L x 2'-0" H

POWER / DATA REQUIREMENTS:
NONE

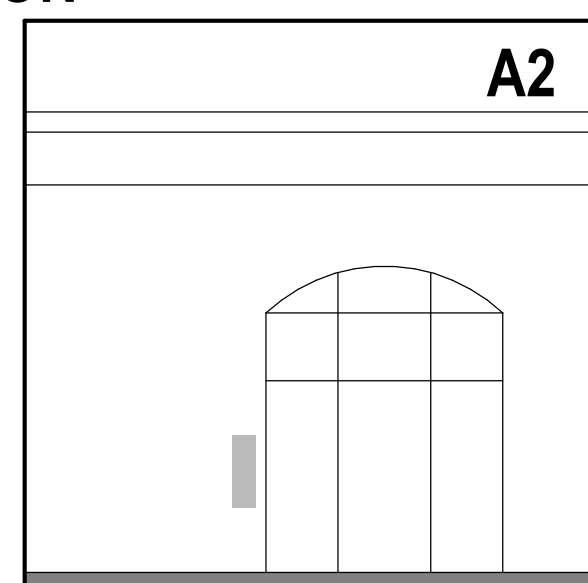
ILLUMINATION REQUIREMENTS:
NONE

MATERIAL FABRICATION & FINISH:
FABRICATED, PAINTED METAL SIGN LETTERS
ALTERNATE: PRECAST CONCRETE RELIEF

INSTALLATION & FOUNDATION / SUPPORT:
SIGN MOUNTED TO BUILDING FACADE, ANCHORED INTO BUILDING SUB-STRUCTURE AS NECESSARY.
ALTERNATE: CAST INTO ENTABLATURE

QTY: SEE SHEET J-1 AND BUILDING ELEVATIONS

SEE ALSO: DETAIL 1/J-1



TENANT OR BUILDING IDENTIFICATION - BUILDING FACADE GLAZING

PURPOSE:
IDENTIFICATION AT BUILDING ENTRY / TENANT IDENTIFICATION.

GUIDELINES:
FORM: BRONZE PLACARD

APPROX SIZE:
1'-6" L x 3'-6" H

POWER / DATA REQUIREMENTS:
NONE
ALTERNATE: POWER

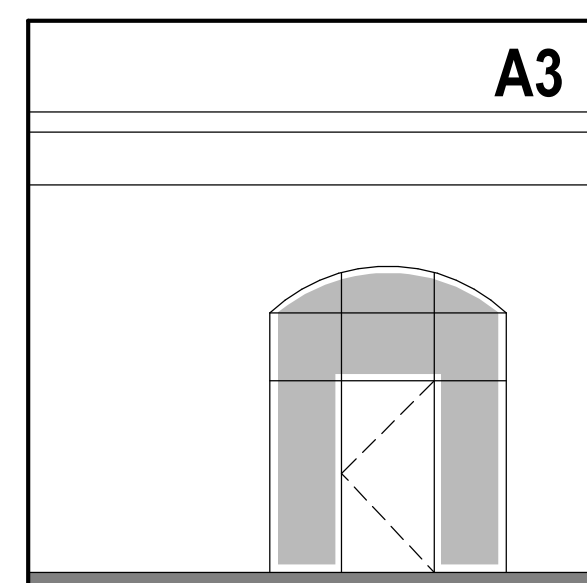
ILLUMINATION REQUIREMENTS:
NONE

MATERIAL FABRICATION & FINISH:
NONE
ALTERNATE: INTERNAL FACE LIT OR HALO LIT

INSTALLATION & FOUNDATION / SUPPORT:
SIGN INTEGRAL TO BUILDING GLAZING
ALTERNATE: MOUNTED TO BUILDING FACADE OR BUILDING SUB-STRUCTURE AS NECESSARY.

QTY: 1

SEE ALSO: DETAIL 2/J-1



TENANT OR BUILDING OR COMMUNITY IDENTITY - BUILDING STOREFRONT / CURTAIN WALL GLAZING

PURPOSE:
IDENTIFICATION ON GLAZING OF OFFICE BUILDING

GUIDELINES:
FORM: APPLIED GLAZING FILM OR GLASS FRIT OR ETCHED GLASS PATTERN

APPROX SIZE:
VARIES, X 8'-0" - 10'-0" H

POWER / DATA REQUIREMENTS:
NONE

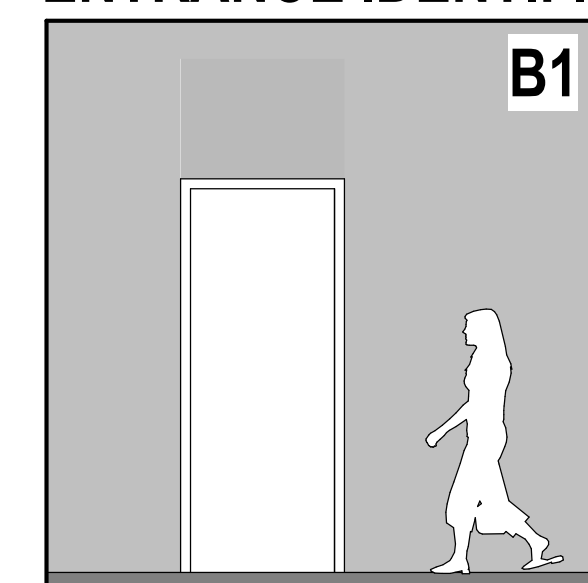
ILLUMINATION REQUIREMENTS:
NONE

MATERIAL FABRICATION & FINISH:
GLASS FILM / FRIT COLOR TBD

INSTALLATION & FOUNDATION / SUPPORT:
SIGN INTEGRAL TO BUILDING GLAZING

QTY: 4

ENTRANCE IDENTIFICATION



ENTRANCE IDENTITY - SERVICE / EGRESS

PURPOSE:
SERVICE DOOR / EGRESS ONLY DOOR IDENTIFICATION

GUIDELINES:
FORM: DIMENSIONAL LETTERS / LOGO

APPROX SIZE:
2'-6" H x 8'-6" W

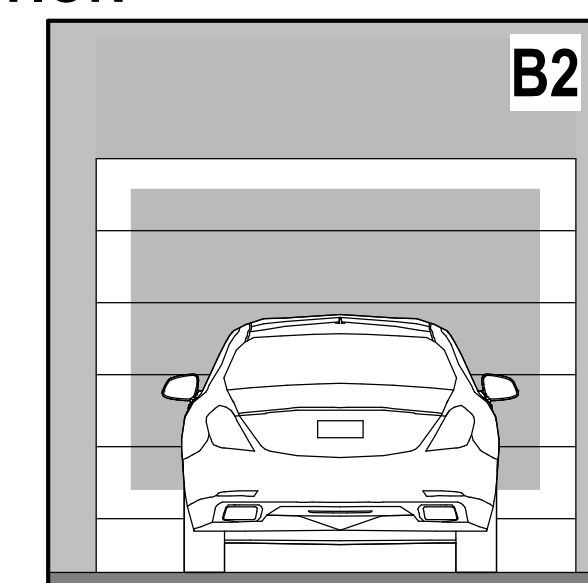
POWER / DATA REQUIREMENTS:
ELECTRICAL

ILLUMINATION REQUIREMENTS:
INTERNAL FACE LIT OR HALO LIT

MATERIAL FABRICATION & FINISH:
FABRICATED, METAL SIGN LETTERS / LOGO
ALTERNATE: CABINET W/ TRANSLUCENT FACE SUBSTRATE

INSTALLATION & FOUNDATION / SUPPORT:
SIGN MOUNTED TO BUILDING FACADE, ANCHORED INTO MULLION OR BUILDING SUB-STRUCTURE AS NECESSARY.

QTY: 1



PARKING ENTRY OVERHEAD AND/OR ON ENTRY DOOR

PURPOSE:
PARKING ENTRY IDENTIFICATION

GUIDELINES:
FORM: DIMENSIONAL LETTERS / LOGO OR PAINTED LETTERS / LOGO

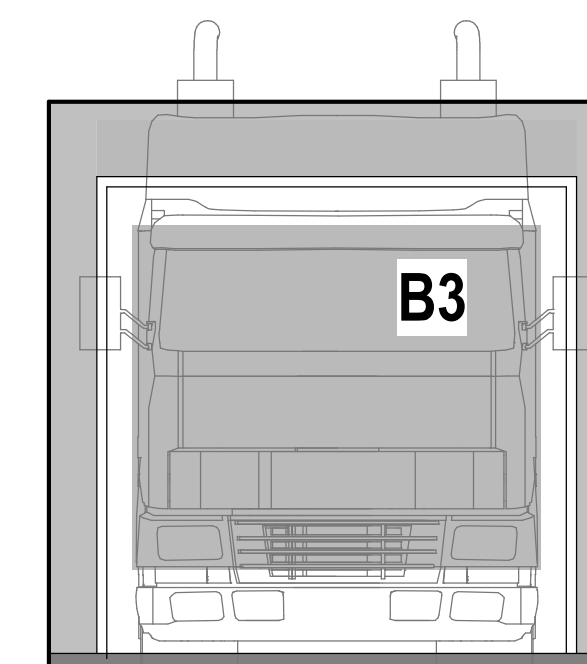
APPROX SIZE:
2'-6" H x 10'-0" W (OVER DOOR)
8'-6" H x 8'-6" W (ON DOOR)

POWER / DATA REQUIREMENTS:
ELECTRICAL (OVER DOOR)
N/A (ON DOOR)

ILLUMINATION REQUIREMENTS:
INTERNAL FACE LIT OR HALO LIT (OVER DOOR)
N/A (ON DOOR)

MATERIAL FABRICATION & FINISH:
FABRICATED, METAL SIGN LETTERS / LOGO
ALTERNATE: CABINET W/ TRANSLUCENT FACE SUBSTRATE
DOOR GRAPHIC: APPLIED OR PAINTED

INSTALLATION & FOUNDATION / SUPPORT:
SIGN MOUNTED TO BUILDING FACADE, ANCHORED INTO MULLION OR BUILDING SUB-STRUCTURE AS NECESSARY OR APPLIED TO DOOR



LOADING IDENTITY OVERHEAD AND/OR ON DOOR

PURPOSE:
LOADING DOCK IDENTIFICATION

GUIDELINES:
FORM: DIMENSIONAL LETTERS / LOGO OR PAINTED LETTERS / LOGO

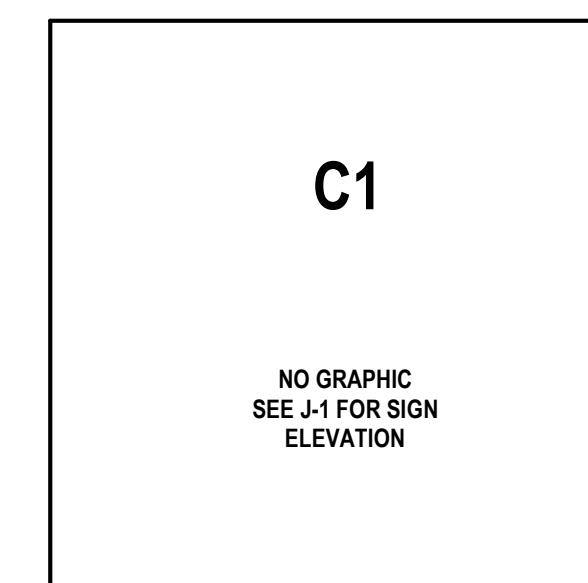
APPROX SIZE:
2'-6" H x 10'-0" W (OVER DOOR)
8'-6" H x 8'-6" W (ON DOOR)

POWER / DATA REQUIREMENTS:
ELECTRICAL (OVER DOOR)
N/A (ON DOOR)

ILLUMINATION REQUIREMENTS:
INTERNAL FACE LIT OR HALO LIT (OVER DOOR)
N/A (ON DOOR)

MATERIAL FABRICATION & FINISH:
FABRICATED, METAL SIGN LETTERS / LOGO
ALTERNATE: CABINET W/ TRANSLUCENT FACE SUBSTRATE
DOOR GRAPHIC: APPLIED OR PAINTED

INSTALLATION & FOUNDATION / SUPPORT:
SIGN MOUNTED TO BUILDING FACADE, ANCHORED INTO MULLION OR BUILDING SUB-STRUCTURE AS NECESSARY OR APPLIED TO DOOR



PARKING - FLAG SIGN

PURPOSE:
PARKING GARAGE LOCATION

GUIDELINES:
FORM: PANEL SIGN ON POLE

APPROX SIZE:
2'-0" H x 2'-0" W (SIGN)
16'-0" H (POLE)

POWER / DATA REQUIREMENTS:
NONE

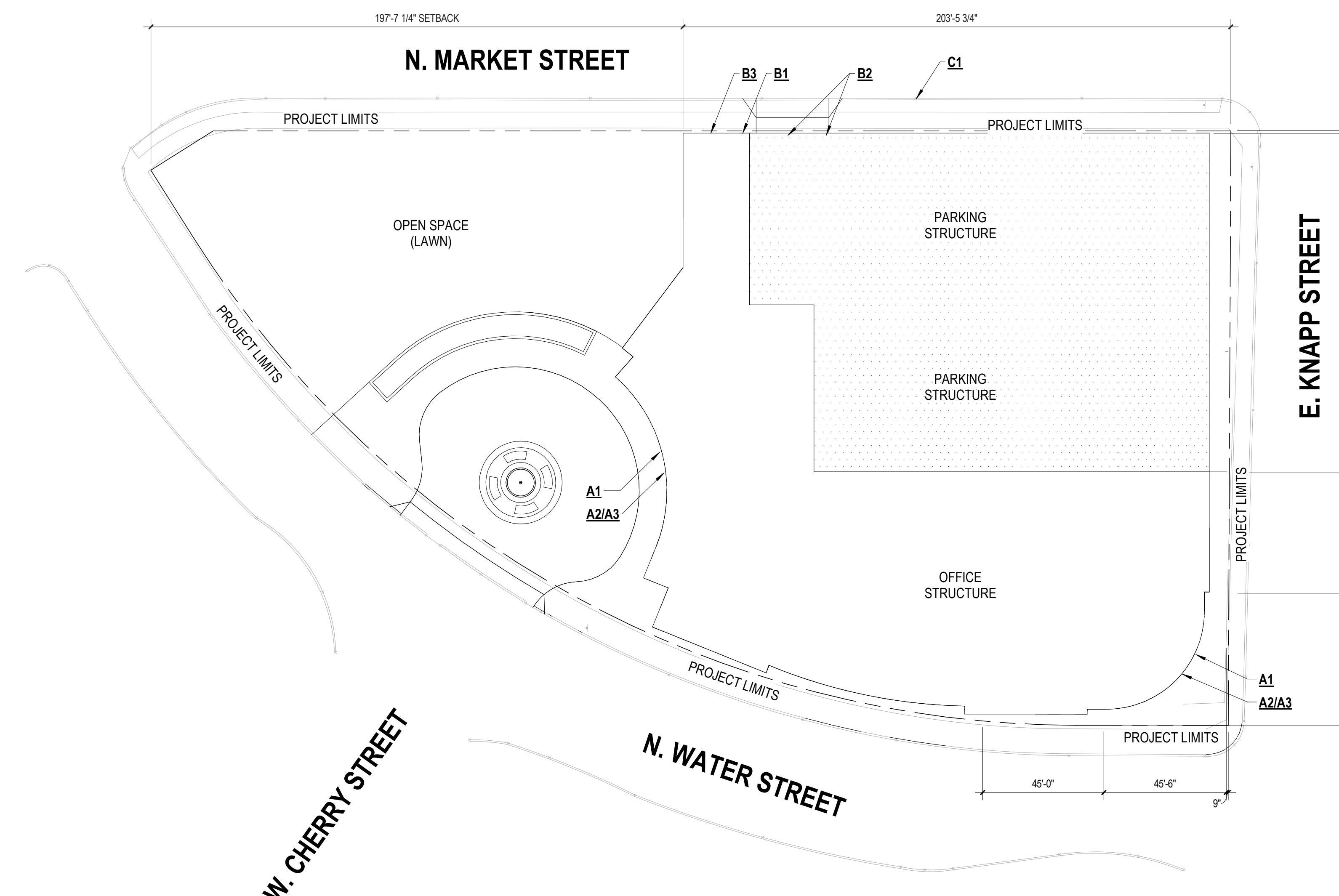
ILLUMINATION REQUIREMENTS:
NONE

MATERIAL FABRICATION & FINISH:
PANEL SIGN: PAINTED REFLECTIVE METAL
POLE: TO MATCH SIDEWALK POLE LIGHTS

INSTALLATION & FOUNDATION / SUPPORT:
SIDEWALK-MOUNTED BASE PLATE

SIGNAGE LEGEND

1/4" = 1'-0"



A1 SIGNAGE PLAN
1" = 30'-0"