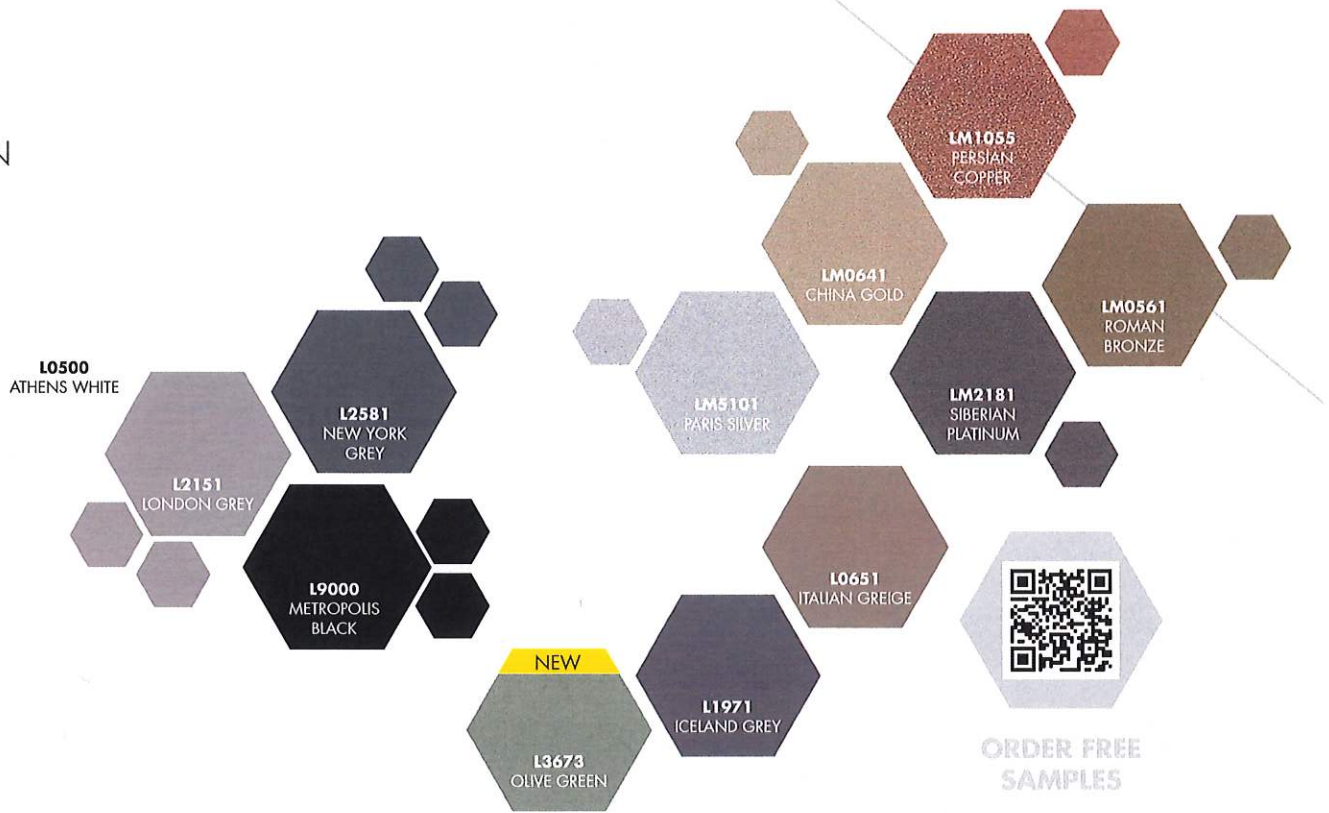


TRESPA® METEON® EXTERIOR PANELS

LUMEN



METALLICS



PROJECT COLORS

For Trespa® Meteon® Uni Colors and Metallics, Trespa is happy to create panels in custom colors for your project. Almost anything is possible, just tell us what you need. For more information, please contact your local Trespa representative.

WOOD DECORS



ORDER FREE SAMPLES

NATURALS



ORDER FREE SAMPLES

FOCUS



ORDER FREE SAMPLES

UNI COLORS



ORDER FREE SAMPLES

LUMEN

Color code	Color name	Diffuse		Oblique		Specular	
I0500	Athens White	■	■	■	■	■	■
I0651	Italian Greige	■	■	■	■	■	■
I1971	Iceland Grey	■	■	■	■	■	■
I2151	London Grey	■	■	■	■	■	■
I2581	New York Grey	■	■	■	■	■	■
I3673	Olive Green	■	■	■	■	■	■
I9000	Metropolis Black	■	■	■	■	■	■
With metallic effect							
IM0561	Roman Bronze	■	■	■	■	■	■
IM0641	China Gold	■	■	■	■	■	■
IM1055	Persian Copper	■	■	■	■	■	■
IM2181	Siberian Platinum	■	■	■	■	■	■
IM5101	Paris Silver	■	■	■	■	■	■

TRESPA® METEON® LUMEN DIFFUSE, LUMEN OBLIQUE AND ALL LUMEN WITH METALLIC EFFECT (PRODUCTS WITH IM CODE) FEATURE A DIRECTIONAL COLORED SURFACE.

* WITH SATIN REVERSE.

METALLICS

Color code	Color name	Satin		Rock*	
M04.4.1	Titanium Silver	■	■	■	■
M05.5.1	Titanium Bronze	■	■	■	■
M05.6.1	Urban Brown	■	■	■	■
M06.4.1	Amber	■	■	■	■
M21.3.4	Azurite Blue	■	■	■	■
M21.8.1	Graphite Grey	■	■	■	■
M51.0.1	Aluminium Grey	■	■	■	■
M51.0.2	Urban Grey	■	■	■	■
M53.0.1	Copper Red	■	■	■	■
M53.0.2	Copper Yellow	■	■	■	■

TRESPA® METEON® METALLICS PANELS FEATURE A DIRECTIONAL COLORED SURFACE.

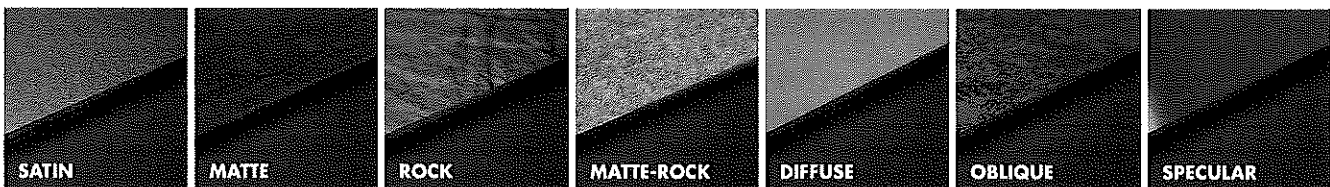
* WITH SATIN REVERSE.

FOCUS

Color code	Color name	Diffuse		Color code	Color name	Diffuse	
C08.03	Brooklyn Classic	■	■	With metallic effect			
C08.21	Brooklyn Luna	■	■	CM03.06	Tribeca Gold	■	■
C08.25	Brooklyn Antracite	■	■	CM03.16	Tribeca Iron	■	■
C01.21	Chester Grey	■	■	CM03.24	Tribeca Zinc	■	■
				CM09.03	Brooklyn Steel	■	■
				CM09.06	Brooklyn Bronze	■	■
				CM09.51	Brooklyn Aluminium	■	■

TRESPA® METEON® FOCUS PANELS FEATURE A DIRECTIONAL COLORED SURFACE.

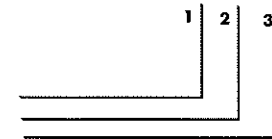
FINISHES



TYPES

- SINGLE SIDED DECORATIVE** DECORATIVE SIDE WITH NON DECORATIVE BLACK REVERSE
- DOUBLE SIDED DECORATIVE** SAME COLOR FOR FRONT AND REVERSE SIDE OF THE PANEL
- VARITOP** DECORATIVE SIDE WITH STANDARD WHITE DECORATIVE SATIN REVERSE (A03.0.0)
- DUOCOLOR** DIFFERENT COLOR FOR FRONT AND REVERSE SIDE OF THE PANEL

SIZES



1 ≈ 120 x 60 inch (3050 x 1530 mm)

2 ≈ 143 x 73 inch (3650 x 1860 mm)

3 ≈ 168 x 83 inch (4270 x 2130 mm)*

* THE LARGE SIZE OF THIS PANEL ALLOWS AN EFFICIENT MACHINING OF THE PRODUCT.

THICKNESSES

- ≈ 5/16 inch (8 mm)
- ≈ 3/8 inch (10 mm)
- ≈ 1/2 inch (13 mm)

NOTE

PLEASE BE AWARE THAT NOT ALL PRODUCT-FINISH COMBINATIONS ARE POSSIBLE. FOR AVAILABLE SHEET SIZES, THICKNESSES AND FINISHES IN YOUR COUNTRY, PLEASE CHECK **TRESPA.INFO** FOR THE DETAILED AND UP TO DATE DELIVERY PROGRAM AND MATERIAL PROPERTY DATASHEET. ALTERNATIVELY YOU CAN USE THE PRODUCT SELECTOR ON **TRESPA.COM** (AFTER CHOOSING THE COUNTRY WHERE THE PROJECT IS LOCATED).

ORDER FREE SAMPLES AT TRESPA.COM

WOOD DECORS

Color code	Color name	Satin				Matte			
NW02	Elegant Oak	■	■	■	■	■	■	■	■
NW03	Harmony Oak	■	■	■	■	■	■	■	■
NW04	Pacific Board	■	■	■	■	■	■	■	■
NW05	Loft Brown	■	■	■	■	■	■	■	■
NW06	Montreux Amber	■	■	■	■	■	■	■	■
NW07	Montreux Sunglow	■	■	■	■	■	■	■	■
NW08	Italian Walnut	■	■	■	■	■	■	■	■
NW09	Wenge	■	■	■	■	■	■	■	■
NW10	English Cherry	■	■	■	■	■	■	■	■
NW11	Santos Palisander	■	■	■	■	■	■	■	■
NW12	Natural Bagenda	■	■	■	■	■	■	■	■
NW13	Country Wood	■	■	■	■	■	■	■	■
NW14	French Walnut	■	■	■	■	■	■	■	■
NW15	Milano Sabbia	■	■	■	■	■	■	■	■
NW16	Milano Terra	■	■	■	■	■	■	■	■
NW17	Milano Grigio	■	■	■	■	■	■	■	■
NW18	Light Mahogany	■	■	■	■	■	■	■	■
NW19	Dark Mahogany	■	■	■	■	■	■	■	■
NW22	Slate Wood	■	■	■	■	■	■	■	■
NW23	Nordic Black	■	■	■	■	■	■	■	■
NW24	Greyed Cedar	■	■	■	■	■	■	■	■
NW25	Hesbania	■	■	■	■	■	■	■	■
NW26	Core Ash	■	■	■	■	■	■	■	■
NW27	Denver Oak	■	■	■	■	■	■	■	■
NW28	Halmstad	■	■	■	■	■	■	■	■
NW29	Woodstone	■	■	■	■	■	■	■	■
NW30	Tropical Ipe	■	■	■	■	■	■	■	■
NW31	Western Red Cedar	■	■	■	■	■	■	■	■

TRESPA® METEON® WOOD DECORS PANELS FEATURE A DIRECTIONAL COLORED SURFACE. THE GRAIN OF TRESPA® METEON® WOOD DECORS RUNS THE LENGTH DIRECTION OF THE PANEL.

NATURALS

Color code	Color name	Matte				Matte-Rock*			
NA12	Natural Chalkstone	■	■	■	■	■	■	■	■
NA13	Silver Quartzite	■	■	■	■	■	■	■	■
NA14	Weathered Basalt	■	■	■	■	■	■	■	■
NA15	Indian Terra Cotta	■	■	■	■	■	■	■	■
NA16	Belgian Bluestone	■	■	■	■	■	■	■	■
NA17	Natural Graphite	■	■	■	■	■	■	■	■
NA18	Natural Slate	■	■	■	■	■	■	■	■
NA19	Italian Slate	■	■	■	■	■	■	■	■
With metallic effect									
NM01	Rusted Brown	■	■	■	■	■	■	■	■
NM02**	Forged Alloy	■	■	■	■	■	■	■	■
NM03	Corroded Green	■	■	■	■	■	■	■	■
NM04**	Sintered Alloy	■	■	■	■	■	■	■	■
NM05**	Hardened Brown	■	■	■	■	■	■	■	■
NM06**	Tempered Grey	■	■	■	■	■	■	■	■
NM07**	Casted Grey	■	■	■	■	■	■	■	■
NM08**	Crafted White	■	■	■	■	■	■	■	■

TRESPA® METEON® NATURALS PANELS FEATURE A DIRECTIONAL COLORED SURFACE.

* WITH SATIN REVERSE.

** DECORS HAVE GLOSS ELEMENTS IN THE SURFACE.

UNI COLORS

Color code	Color name	Satin				Rock*			
A03.0.0	White	■	■	■	■	■	■	■	■
A03.1.0	Pastel Grey	■	■	■	■	■	■	■	■
A03.4.0	Silver Grey	■	■	■	■	■	■	■	■
A04.0.0	Cream White	■	■	■	■	■	■	■	■
A04.0.1	Pearl Yellow	■	■	■	■	■	■	■	■
A04.0.2	Pale Yellow	■	■	■	■	■	■	■	■
A04.0.5	Zinc Yellow	■	■	■	■	■	■	■	■
A04.1.7	Gold Yellow	■	■	■	■	■	■	■	■
A05.0.0	Pure White	■	■	■	■	■	■	■	■
A05.1.0	Papyrus White	■	■	■	■	■	■	■	■
A05.1.1	Stone Beige	■	■	■	■	■	■	■	■
A05.1.2	Champagne	■	■	■	■	■	■	■	■
A05.1.4	Sun Yellow	■	■	■	■	■	■	■	■
A05.5.0	Quartz Grey	■	■	■	■	■	■	■	■
A06.3.5	Ochre	■	■	■	■	■	■	■	■
A06.5.1	Toscana Greige	■	■	■	■	■	■	■	■
A06.7.1	Natural Greige	■	■	■	■	■	■	■	■
A07.1.1	Sand	■	■	■	■	■	■	■	■
A08.2.1	Mid Beige	■	■	■	■	■	■	■	■
A08.2.3	Salmon	■	■	■	■	■	■	■	■
A08.3.1	Stone Grey	■	■	■	■	■	■	■	■
A08.4.5	Rusty Red	■	■	■	■	■	■	■	■
A08.8.1	Dark Brown	■	■	■	■	■	■	■	■
A09.6.4	Mahogany Red	■	■	■	■	■	■	■	■
A10.1.8	Red Orange	■	■	■	■	■	■	■	■
A10.3.4	Terra Cotta	■	■	■	■	■	■	■	■
A10.4.5	Sienna Brown	■	■	■	■	■	■	■	■
A10.6.1	Taupe	■	■	■	■	■	■	■	■
A11.4.4	English Red	■	■	■	■	■	■	■	■
A11.8.0	Ceramic Greige	■	■	■	■	■	■	■	■
A12.1.8	Passion Red	■	■	■	■	■	■	■	■
A12.2.5	Motion Red	■	■	■	■	■	■	■	■
A12.3.7	Carmine Red	■	■	■	■	■	■	■	■
A12.4.5	East Red	■	■	■	■	■	■	■	■
A12.6.3	Wine Red	■	■	■	■	■	■	■	■
A14.7.2	Deep Red Brown	■	■	■	■	■	■	■	■
A17.3.5	Cyclam	■	■	■	■	■	■	■	■
A19.7.1	Charcoal Grey	■	■	■	■	■	■	■	■
A20.5.2	Lavender Blue	■	■	■	■	■	■	■	■
A20.7.2	Dark Blue	■	■	■	■	■	■	■	■
A21.1.0	Winter Grey	■	■	■	■	■	■	■	■
A21.5.1	Mid Grey	■	■	■	■	■	■	■	■
A21.5.4	Cobalt Blue	■	■	■	■	■	■	■	■
A21.7.0	Steel Grey	■	■	■	■	■	■	■	■
A22.1.6	Royal Blue	■	■	■	■	■	■	■	■
A22.2.1	Bluish Grey	■	■	■	■	■	■	■	■
A22.2.4	Powder Blue	■	■	■	■	■	■	■	■
A22.3.1	Ocean Grey	■	■	■	■	■	■	■	■
A22.4.4	Brilliant Blue	■	■	■	■	■	■	■	■
A22.6.2	Dark Denim	■	■	■	■	■	■	■	■
A23.0.4	Mineral Blue	■	■	■	■	■	■	■	■
A24.4.1	Steel Blue	■	■	■	■	■	■	■	■
A25.8.1	Anthracite Grey	■	■	■	■	■	■	■	■
A26.5.4	Pacific	■	■	■	■	■	■	■	■
A28.2.1	Aquamarine	■	■	■	■	■	■	■	■
A28.6.2	Mid Green	■	■	■	■	■	■	■	■
A30.3.2	Verdigris	■	■	■	■	■	■	■	■
A31.4.1	Zinc Grey	■	■	■	■	■	■	■	■
A32.2.1	Translucent Green	■	■	■	■	■	■	■	■
A32.7.2	Dark Green	■	■	■	■	■	■	■	■
A33.3.6	Brilliant Green	■	■	■	■	■	■	■	■
A34.8.1	Forest Green	■	■	■	■	■	■	■	■
A35.4.0	Cactus Green	■	■	■	■	■	■	■	■
A36.3.5	Turf Green	■	■	■	■	■	■	■	■
A37.0.8	Lime Green	■	■	■	■	■	■	■	■
A37.2.3	Spring Green	■	■	■	■	■	■	■	■
A41.0.6	Mojito Green	■	■	■	■	■	■	■	■
A70.0.0	Slate Grey	■	■	■	■	■	■	■	■
A90.0.0	Black	■	■	■	■	■	■	■	■

* WITH SATIN REVERSE.



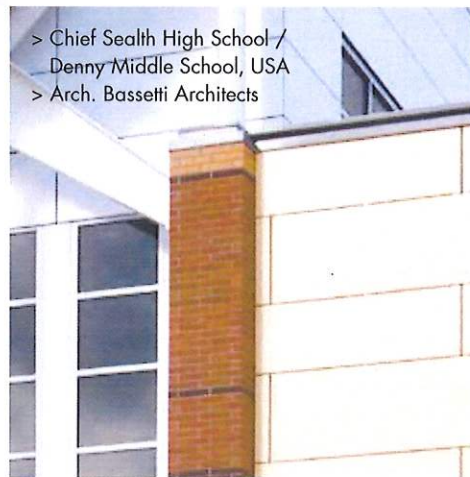
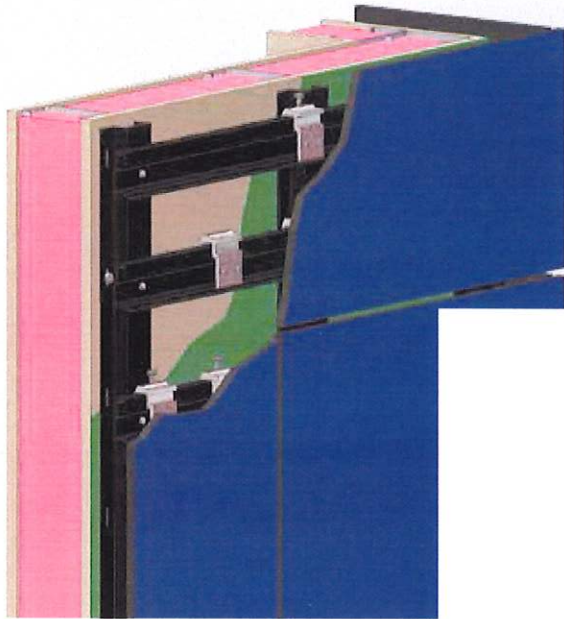
ORDER FREE
SAMPLES



TS210 INVISIBLE (CONCEALED) BRACKET-RAILFIX ON AN ALUMINUM SUB-FRAME

This system offers large flexibility for installing Trespa® Meteon® panels, the use of adjustable brackets allow for precise joints and an optimal façade grid.

Trespa® Meteon® panels with a minimum thickness of 3/8 inch* (10 mm) may be fixed invisibly on an aluminium sub-frame comprising horizontal rails and hanging brackets fixed with expansion anchors to the back of the panel.



> Chief Sealth High School /
Denny Middle School, USA
> Arch. Bassetti Architects

This document is intended to provide general recommendations only. Trespa provides these guidelines and all testing, code and design data for informational purposes only and strongly advises that the customer, project owner and architect seek independent advice from a certified construction professional and/or engineer regarding application and installation as well as compliance with design requirements, applicable codes, laws and regulations, and test standards. Please check your local codes and applicable design requirements for proper use.

* Note that due to conversion, the value provided is approximate.

OVERVIEW OF AVAILABLE CERTIFICATES AND TEST REPORTS

To consult the full details of available certificates please visit www.trespa.info/meteon/certificates

For TNA systems that meet the performance criteria of the NFPA 285 or ULC S134 multistory fire test standard, refer to design details indicated with a “285” or “134.”

GENERAL INSTALLATION DETAILS

Cavity depth and ventilation (Free air cavity)

The free air cavity depth between the backside of the horizontal rail and the face of the weather barrier is 1 inch (25 mm*). This free air cavity allows for ambient air to flow through from the ventilation inlets and outlets. Ventilation perforations must allow for a minimum opening of 2.36 square inches per linear foot* (50 square cm per linear meter) over the whole façade. Cavity depth as well as ventilation inlets and outlets must be in accordance with applicable building standards, regulations and certificates.

Sub-frame

Trespa® Meteon® panels must be installed on a sub-frame, comprised of aluminum extrusions, of sufficient strength and permanent durability. Quality and/or treatment of the sub-frame must be in accordance with applicable building standards, regulations and certificates.

Fixing detail

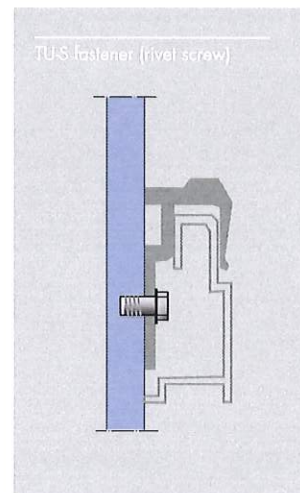
Panel brackets are attached to the Trespa® Meteon® panels using two stainless steel expansion anchors per bracket. Hole depth, hole diameter, length and anchoring depth of fixings has to be in accordance with applicable installation guidelines. In order to prevent the ingress of moisture into the blind holes of fixings, holes must be drilled in a dry environment. Predrilled panels must be stored under dry conditions. Failure to comply may result in visible panel surface deformation.

* Note that due to conversion, the value provided is approximate.

Each panel has two adjusting points. To retain panel position, the panel must have one fixed point at the top by inserting a self-drilling screw (or similar) through the hanging bracket and into the rail.

Fixing method:

- TU-S fastener (rivet screw)



Remaining panel thickness: 3/32 inch* (2.5 mm).

Anchoring depth: total panel thickness minus 1/8 inch* (3 mm).

OVERVIEW OF TECHNICAL INSTALLATION DETAILS

AutoCAD drawings for TS210 are available at
www.trespa.info/meteor/fixingsystems

Panel color/decor	Uni colors, Metallics, Wood Decors, Naturals
Panel thickness	3/8 inch* (10 mm), 1/2 inch* (13 mm)
Free air cavity (back face of rail profile to the weather resistive barrier)	1 inch (25 mm*)
Aluminum profiles	(as required per structural design)
Weather resistive barrier	Undefined

Technical installation details

Panel thickness

inch	mm
3/8	10
1/2	13

Maximum panel dimension

inch	mm
120 x 72	3050 x 1860

Joint width

inch	mm
3/8	10

Based on applicable building standards, regulations or certificates, wider joints may be permissible.

Edge clearance

Vertical and horizontal edge distance minimum 2 1/2 inch* (65 mm) and maximum 10 x panel thickness, counted from the center of the first fixing

* Note that due to conversion, the value provided is approximate.

Recommended maximum fixing distances

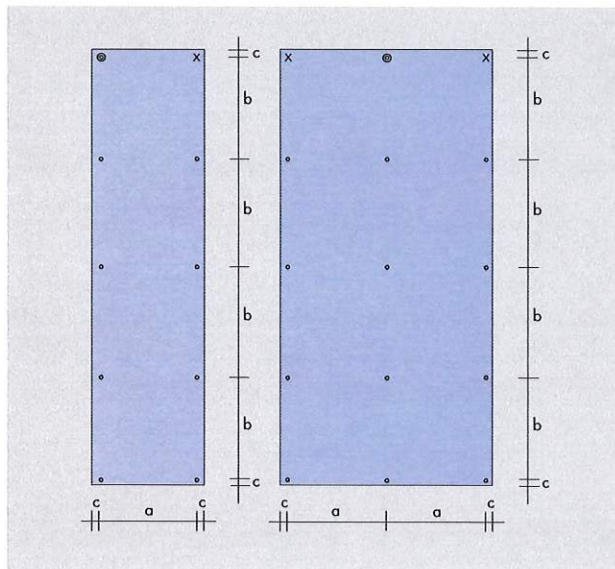
Maximum Fixing distances ^A	Panel Thickness for Satin / Rock / Matt				Panel Thickness for Glass ^B	
	inch ^A	mm	inch ^A	mm	inch ^A	mm
	3/8	10	1/2	13	1/2	13
2 fasteners in one direction	29	750	38	950	29	750
3 or more fasteners in one direction	35	900	48	1200	35	900

^A The maximum permitted fixing distances shown have been designed with a maximum (wind) load of 20 pounds per square foot (psf) and a maximum deflection criteria of L/175.

^B Based on the surface properties of Glass panels, fixing distances are reduced.

Fixing distances must be calculated in accordance with applicable local standards, regulations and certificates and should be verified by a structural engineer.

For more information about deflection and wind loads, please visit www.trespa.info/meteon/fixingsystems



Fixing and edge clearances

a = horizontal fixing distance

b = vertical fixing distance

c = edge clearance

⊙ = fixed point

⊗ = adjusting point

○ = sliding point:

Lower brackets fixed higher at such a level as to facilitate downward panel movement 0.03 in per foot* (2.5 mm per metre)

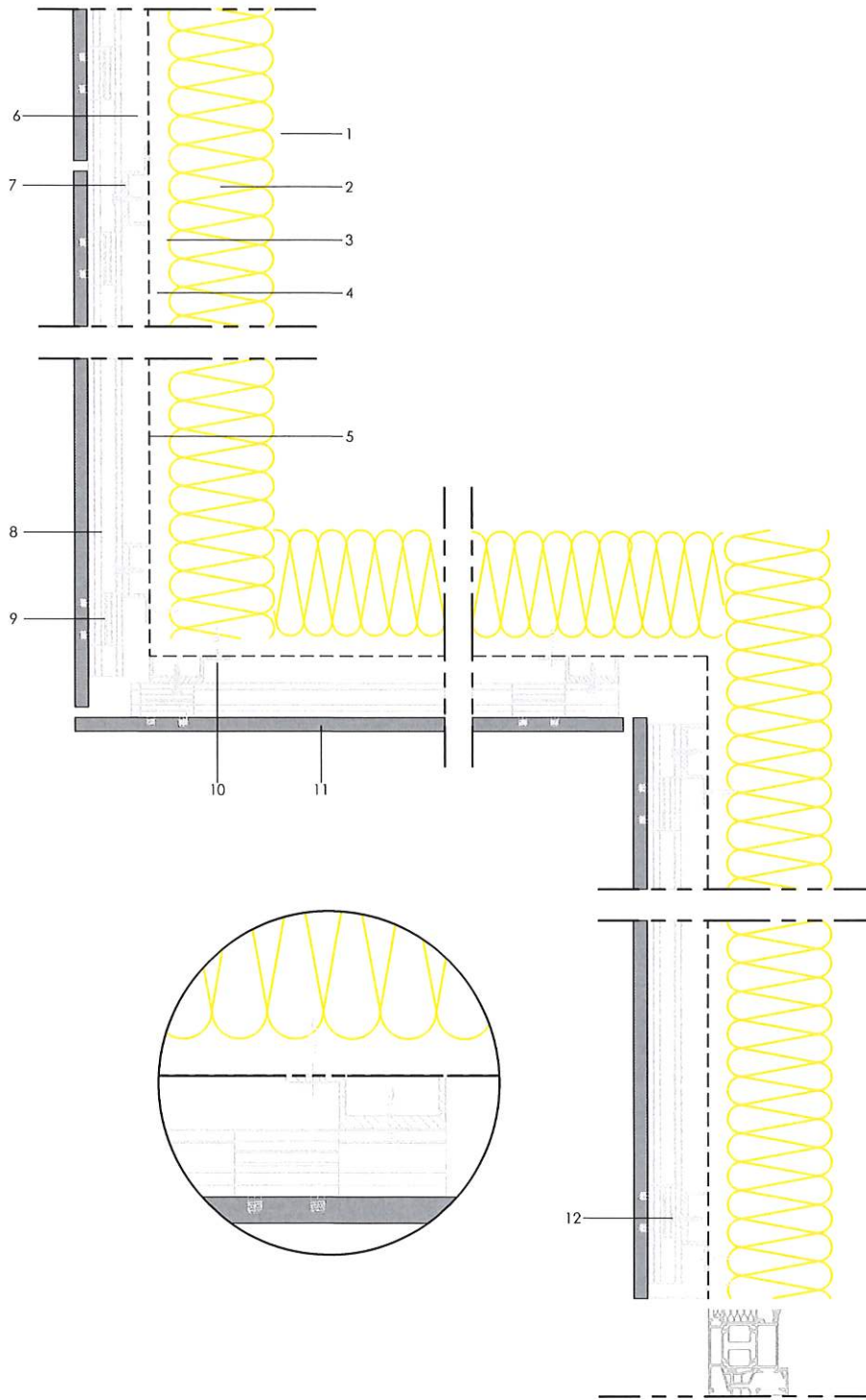
* Note that due to conversion, the value provided is approximate.

Please check www.trespa.info for the latest version of this document

TRESIPA

TS210

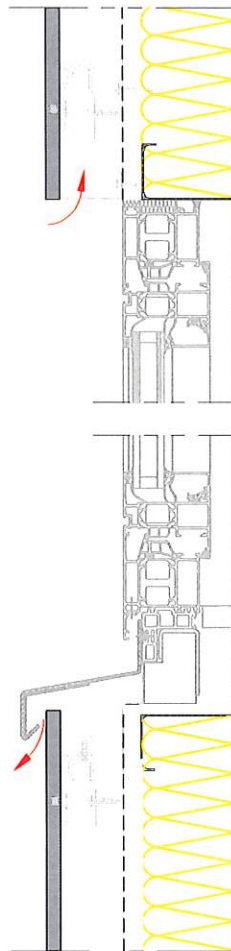
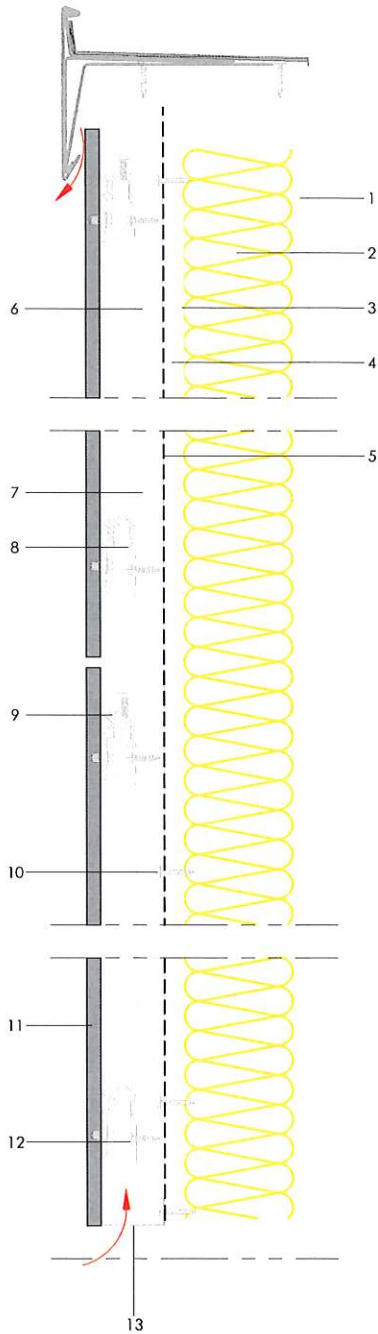
Horizontal cross-section



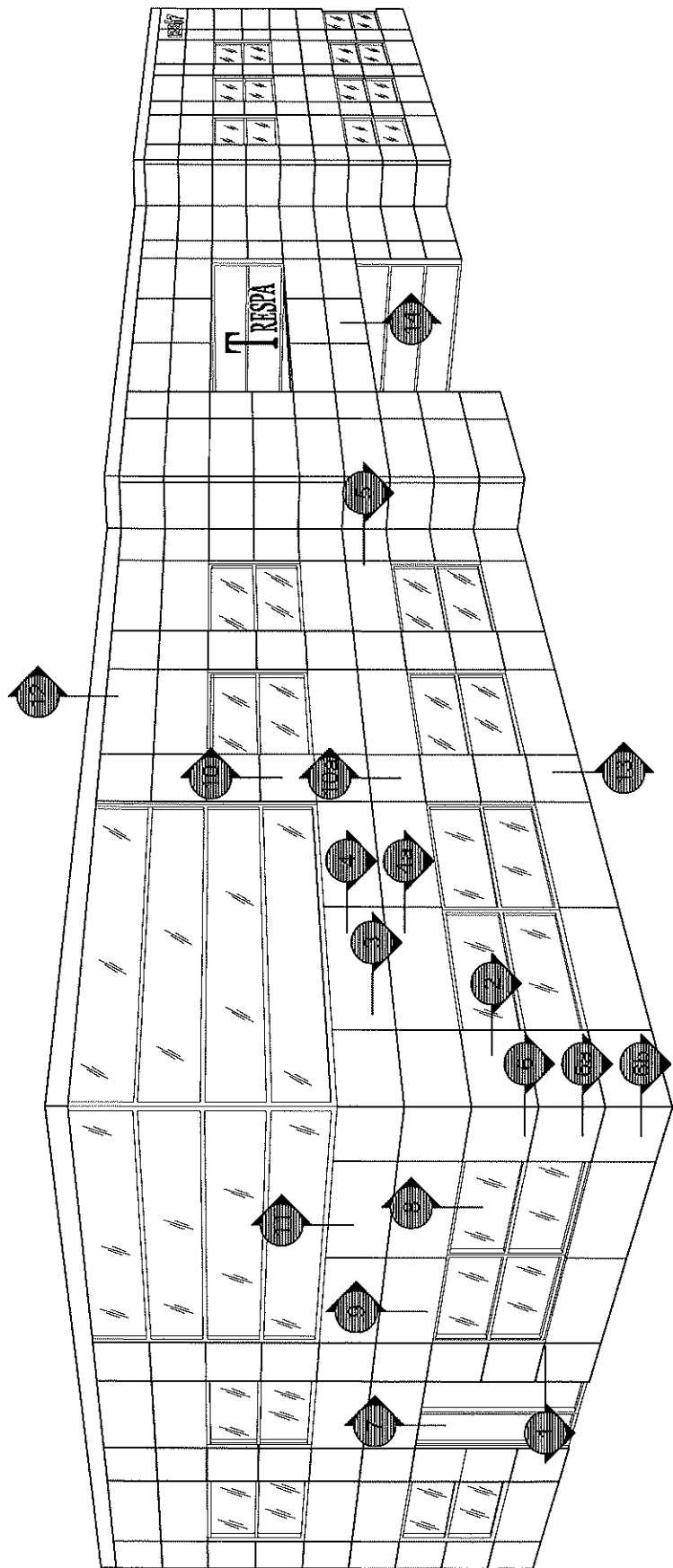
- 1. Interior sheathing**
 - 2. Thermal insulation**
 - 3. Steel stud** / backing plate**
 - 4. Exterior sheathing**
 - 5. Weather barrier (vapor permeable)**
 - 6. Ventilated cavity**
 - 7. J-channel**
 - 8. Rail**
 - 9. Adjustable bracket**
 - 10. Channel anchor**
 - 11. Trespa® Meteor® panel
 - 12. Rail anchor**
- ** not by Trespa

TS210

Vertical cross-section



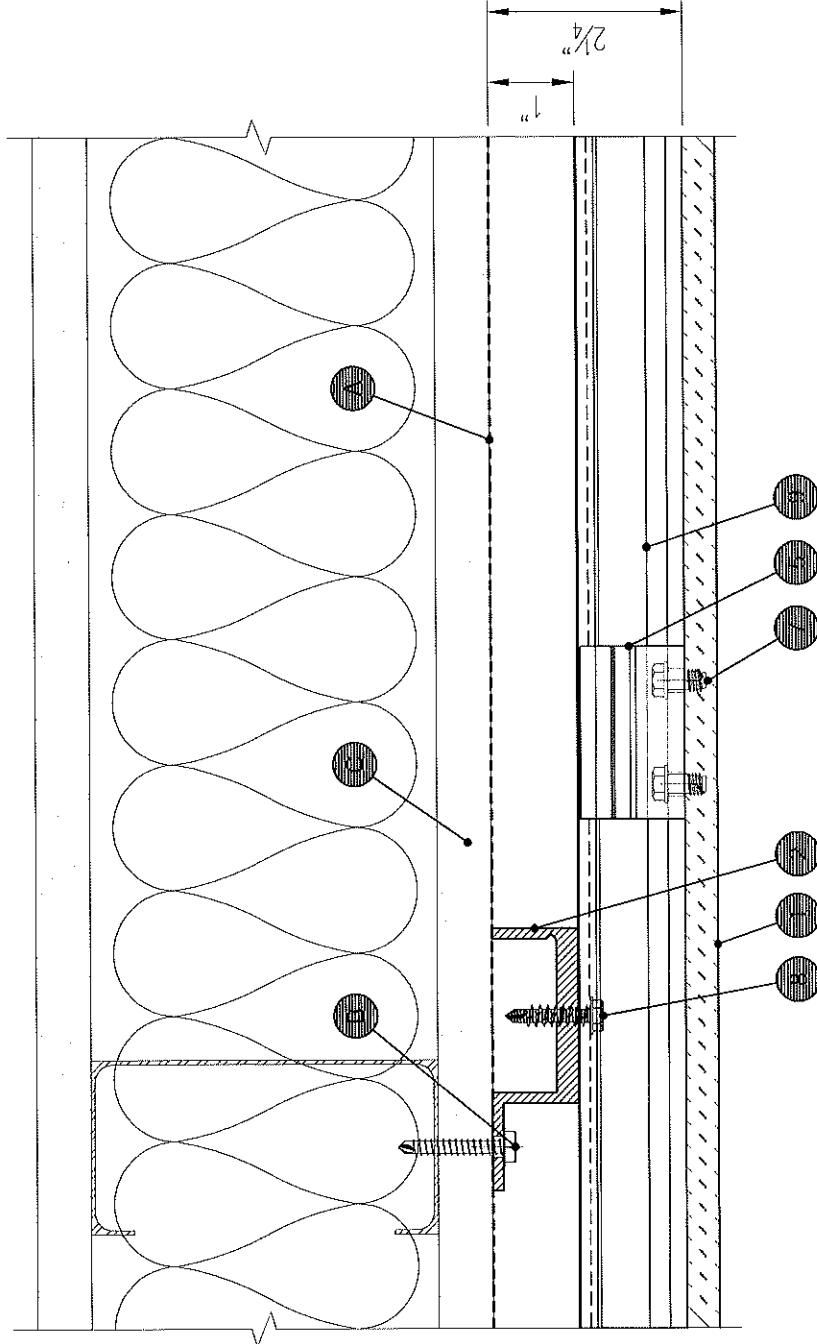
1. Interior sheathing**
 2. Thermal insulation**
 3. Steel stud** / backing plate**
 4. Exterior sheathing**
 5. Weather barrier (vapor permeable)**
 6. Ventilated cavity**
 7. J-channel**
 8. Rail**
 9. Adjustable bracket**
 10. Channel anchor**
 11. Trespa® Meteon® panel
 12. Rail anchor**
 13. Vent screen**
- ** not by Trespa



TRESPA <small>Trespa North America, Ltd. 67 South Street, 2nd and 3rd Fls. New York, NY 10038 Phone: 212 467 1772 Fax: 212 467 1499 www.trespa.com/na</small>	TITLE: COVER PAGE		DESIGN BY: AT	DATE: 03.21.2013
	SYSTEM: TS210	SCALE: NTS	DETAIL: B	APPROVED BY: SG

No.	DESCRIPTION
1	TRESPA METEON PANEL (3/8" x 1/2") *
2	J-CHANNEL (110-000)
3	HAT-CHANNEL (110-001) -NOT USED
4	ADJUSTABLE BRACKET (200-003) -NOT USED
5	FIXED BRACKET (200-004)
6	PANEL FASTENER (100-000)
7	T U ANCHOR (200-005)
8	RAIL ANCHOR (000-004)
9	RAIL (200-000)
10	SYSTEM CLOSURE (210-000) -NOT USED
11	VENT SCREEN (210-001) -NOT USED
12	CLIP ANCHOR (000-006) -NOT USED
13	CORNER CLOSURE (000-003) -NOT USED
14	JOINT CLOSURE (000-002) -NOT USED

A	APPROVED WRB
B	CHANNEL ANCHOR
C	SHEATHING



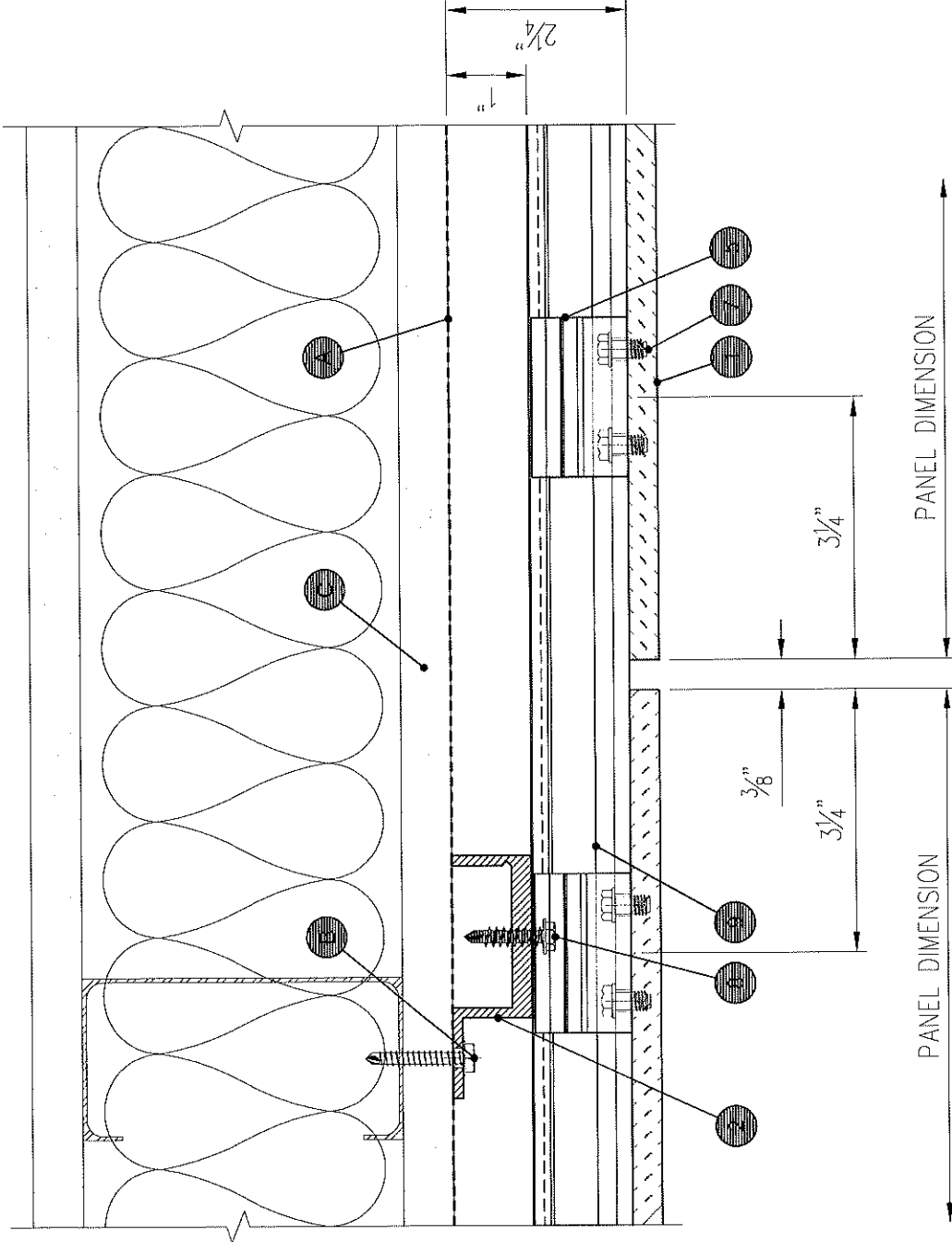
* TRESPA MANUFACTURES TRESPA METEON PANELS ONLY.
PLEASE CONSULT WITH YOUR LOCAL SALES REPRESENTATIVE FOR INFORMATION REGARDING THE SOURCE OF SUPPLY FOR SPECIFIC COMPONENTS NOT SUPPLIED BY TMA AND FOLLOW THE MANUFACTURER'S GUIDELINES.

THESE SHOP DRAWINGS AND TMA'S RECOMMENDATIONS DO NOT ADDRESS THE SUPPORT WALL CONSTRUCTION, STRUCTURAL DETAILS OF THE SUBSTRUCTURE'S ANCHORAGE TO THE SUPPORT WALL OR OTHER DESIGN ELEMENTS. DUE TO THE VARIETY OF CONSTRUCTION CONDITIONS THAT MAY BE PRESENT, TMA IS NOT RESPONSIBLE AND DOES NOT MAKE ANY RECOMMENDATIONS RELATED TO SUPPORT WALL CONSTRUCTION OR ANCHORAGE OF THE SUBSTRUCTURE TO THE SUPPORT WALL ELEMENTS. TMA STRONGLY ADVISES THAT THESE CONNECTIONS BE DESIGNED BY A LICENSED PROFESSIONAL IN ACCORDANCE WITH APPLICABLE BUILDING CODES, PRODUCT TEST REPORTS, AND OTHER INSTALLATION SUPPORT DOCUMENTS, AS APPLICABLE.
FOR PROJECTS REQUIRING COMPLIANCE WITH THE NFPA 285 FIRE TEST, PLEASE REFER TO OUR WEBSITE FOR SPECIFIC DESIGN DETAILS FOR THE TMA METEON EXING SYSTEMS THAT MEET THE NFPA 285 PERFORMANCE CRITERIA. FOR PROJECTS REQUIRING COMPLIANCE WITH CANADIAN ULC S-134, PLEASE CALL OUR TECHNICAL SERVICES DEPARTMENT FOR MORE INFORMATION.
SHIMMING SHOULD BE IN ACCORDANCE WITH GENERALLY ACCEPTED CURTAIN WALL STANDARDS 1/2" x 20"

TRESPA <small>Trepsa North America, Ltd. 10000 Woodward Blvd. Markham, Ontario Phone: 905.467.3732 Fax: 905.465.4405 www.trepsa.com</small>	TITLE: 3 VERTICAL MID PANEL SYSTEM	DESIGN BY: AT	DATE: 03.21.2013
	SCALE: 1/2" = 1"	DETAIL: 3	APPROVED BY: SG

No.	DESCRIPTION
1	TRESPA METEON PANEL (3/8" x 2") *
2	J-CHANNEL (110-000)
3	HAT-CHANNEL (110-001) -NOT USED
4	ADJUSTABLE BRACKET (200-003) -NOT USED
5	FIXED BRACKET (200-004)
6	PANEL FASTENER (100-000) -NOT USED
7	T U ANCHOR (200-005)
8	RAIL ANCHOR (000-004)
9	RAIL (200-000)
10	SYSTEM CLOSURE (210-000) -NOT USED
11	VENT SCREEN (210-001) -NOT USED
12	CLIP ANCHOR (000-006) -NOT USED
13	CORNER CLOSURE (000-003) -NOT USED
14	JOINT CLOSURE (000-002) -NOT USED

A	APPROVED WRB
B	CHANNEL ANCHOR
C	SHEATHING



* TRESPA MANUFACTURES TRESPA METEON PANELS ONLY.
 PLEASE CONSULT WITH YOUR LOCAL SALES REPRESENTATIVE FOR INFORMATION REGARDING THE SOURCE OF SUPPLY FOR SPECIFIC COMPONENTS NOT SUPPLIED BY TMA AND FOLLOW THE MANUFACTURER'S GUIDELINES.

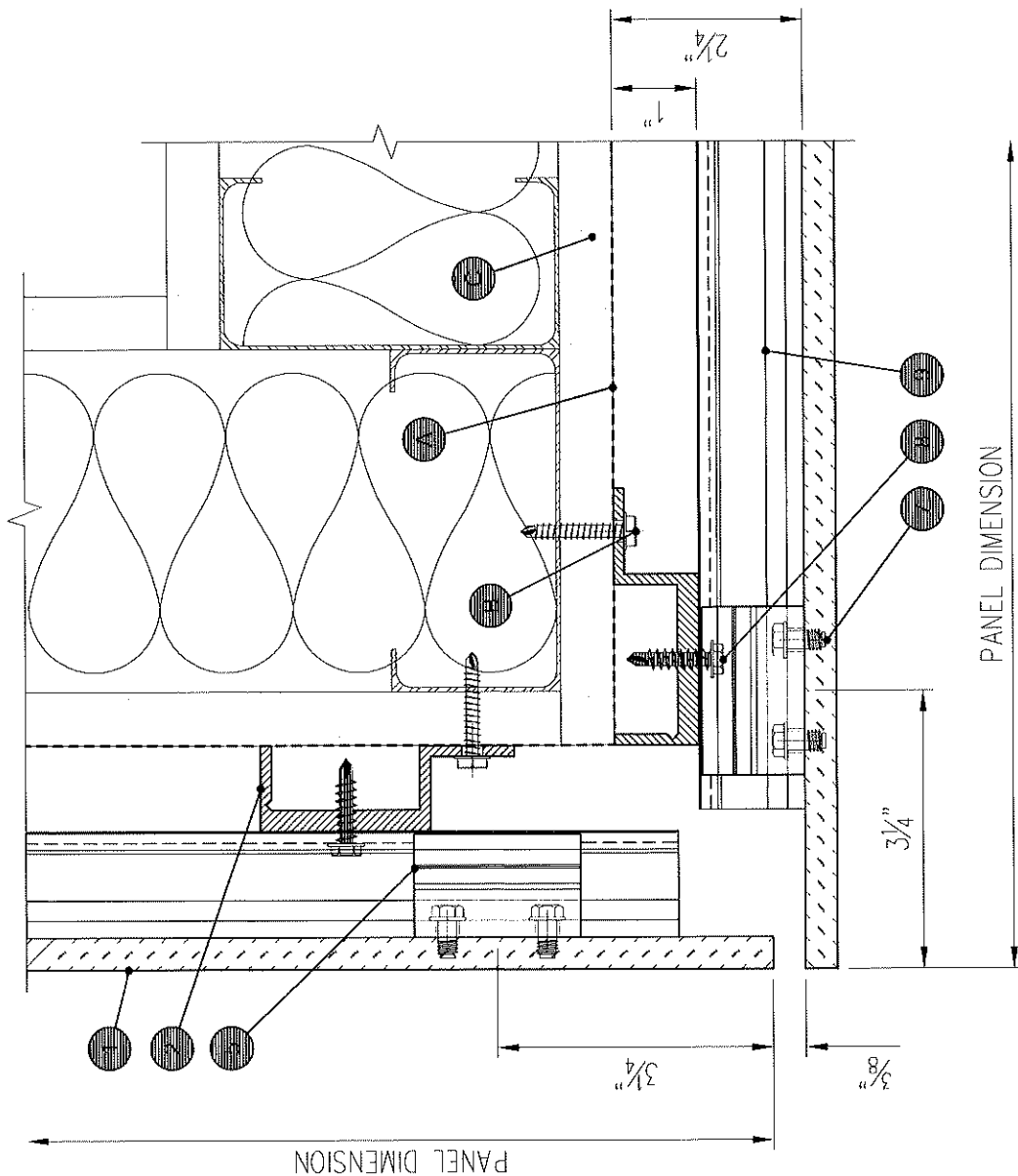
THESE SHOP DRAWINGS AND TMA'S RECOMMENDATIONS DO NOT ADDRESS THE SUPPORT WALL CONSTRUCTION, STRUCTURAL DETAILS OF THE SUBSTRUCTURE'S ANCHORAGE TO THE SUPPORT WALL OR OTHER DESIGN ELEMENTS. DUE TO THE VARIETY OF CONSTRUCTION CONDITIONS THAT MAY BE PRESENT, TMA IS NOT RESPONSIBLE AND DOES NOT MAKE ANY RECOMMENDATIONS RELATED TO SUPPORT WALL CONSTRUCTION OR ANCHORAGE OF THE SUBSTRUCTURE TO THE SUPPORT WALL ELEMENTS. TMA STRONGLY ADVISES THAT THESE CONNECTIONS BE DESIGNED BY A LICENSED PROFESSIONAL IN ACCORDANCE WITH APPLICABLE BUILDING CODES, PRODUCT TEST REPORTS, AND OTHER INSTALLATION SUPPORT DOCUMENTS, AS APPLICABLE.

FOR PROJECTS REQUIRING COMPLIANCE WITH THE NFPA 285 FIRE TEST, PLEASE REFER TO OUR WEBSITE FOR SPECIFIC DESIGN DETAILS. THE TRESPA METEON PANELS SYSTEMS THAT MEET THE NFPA 285 PERFORMANCE CRITERIA FOR PROJECTS REQUIRING COMPLIANCE WITH CANADIAN ULC S-134, PLEASE CALL OUR TECHNICAL SERVICES DEPARTMENT FOR MORE INFORMATION.
 SHIMMING SHOULD BE IN ACCORDANCE WITH GENERALLY ACCEPTED CURTAIN WALL STANDARDS AT : 20

TRESPA Trego North America, Ltd. 21 Centre Street, Grand River, Waterloo, Ont. N2L 2P5 Tel: 519-825-2055, 800-541-5455 Fax: 519-825-2077 www.trespa.com	TITLE:	DESIGN BY:	DATE:
	4 VERTICAL PANEL JOINT	AT	03.21.2013
SYSTEM	SCALE:	APPROVED BY:	SHEET:
TS210	1/2" = 1"	SG	6 OF 19
	DETAIL:		
	4		

No.	DESCRIPTION
1	TRESPA METEON PANEL (3/8", 2") *
2	J-CHANNEL (110-000)
3	HAT-CHANNEL (110-001) -NOT USED
4	ADJUSTABLE BRACKET (200-003) -NOT USED
5	FIXED BRACKET (200-004)
6	PANEL FASTENER (100-000) -NOT USED
7	T U ANCHOR (200-005)
8	RAIL ANCHOR (000-004)
9	RAIL (200-000)
10	SYSTEM CLOSURE (210-000) -NOT USED
11	VENT SCREEN (210-001) -NOT USED
12	CLIP ANCHOR (000-006) -NOT USED
13	CORNER CLOSURE (000-003) -NOT USED
14	JOINT CLOSURE (000-002) -NOT USED

A	APPROVED WRB
B	CHANNEL ANCHOR
C	SHEATHING



* TRESPA MANUFACTURES TRESPA METEON PANELS ONLY.
PLEASE CONSULT WITH YOUR LOCAL SALES REPRESENTATIVE FOR INFORMATION REGARDING THE SOURCE OF SUPPLY FOR SPECIFIC COMPONENTS NOT SUPPLIED BY TNA AND FOLLOW THE MANUFACTURER'S GUIDELINES.

THESE SHOP DRAWINGS AND TNA'S RECOMMENDATIONS DO NOT ADDRESS THE SUPPORT WALL CONSTRUCTION, STRUCTURAL DETAILS OF THE SUBSTRUCTURE'S ANCHORAGE TO THE SUPPORT WALL OR OTHER DESIGN ELEMENTS. DUE TO THE VARIETY OF CONSTRUCTION CONDITIONS THAT MAY BE PRESENT, TNA IS NOT RESPONSIBLE AND DOES NOT MAKE ANY RECOMMENDATIONS RELATED TO SUPPORT WALL CONSTRUCTION OR ANCHORAGE OF THE SUBSTRUCTURE TO THE SUPPORT WALL ELEMENTS. TNA STRONGLY ADVISES THAT THESE CONNECTIONS BE DESIGNED BY A LICENSED PROFESSIONAL IN ACCORDANCE WITH APPLICABLE BUILDING CODES, PRODUCT TEST REPORTS, AND OTHER INSTALLATION SUPPORT DOCUMENTS, AS APPLICABLE.
FOR PROJECTS REQUIRING COMPLIANCE WITH THE NFPA 285 FIRE TEST, PLEASE REFER TO OUR WEBSITE FOR SPECIFIC DESIGN DETAILS FOR THE TNA METEON FINISH SYSTEMS THAT MEET THE NFPA 285 PERFORMANCE CRITERIA FOR PROJECTS REQUIRING COMPLIANCE WITH CANADIAN ULC S-134. PLEASE CALL OUR TECHNICAL SERVICES DEPARTMENT FOR MORE INFORMATION.
DRAWINGS SHOULD BE IN ACCORDANCE WITH GENERALLY ACCEPTED CURTAIN WALL STANDARDS AT : 20

TRESPA Tempo North America, Ltd. 27 Queens Street (Ground Floor) New York, NY 10037-1272 Phone: 212 485 1272 Fax: 212 485 1485 Email: info@trespawall.com	TITLE: 6 OUTSIDE CORNER SYSTEM	SCALE: 1/2" = 1"	DETAIL: 6	DESIGN BY: AT	DATE: 03.21.2013
	TS210	APPROVED BY: SG	SHEET: 9 OF 19		

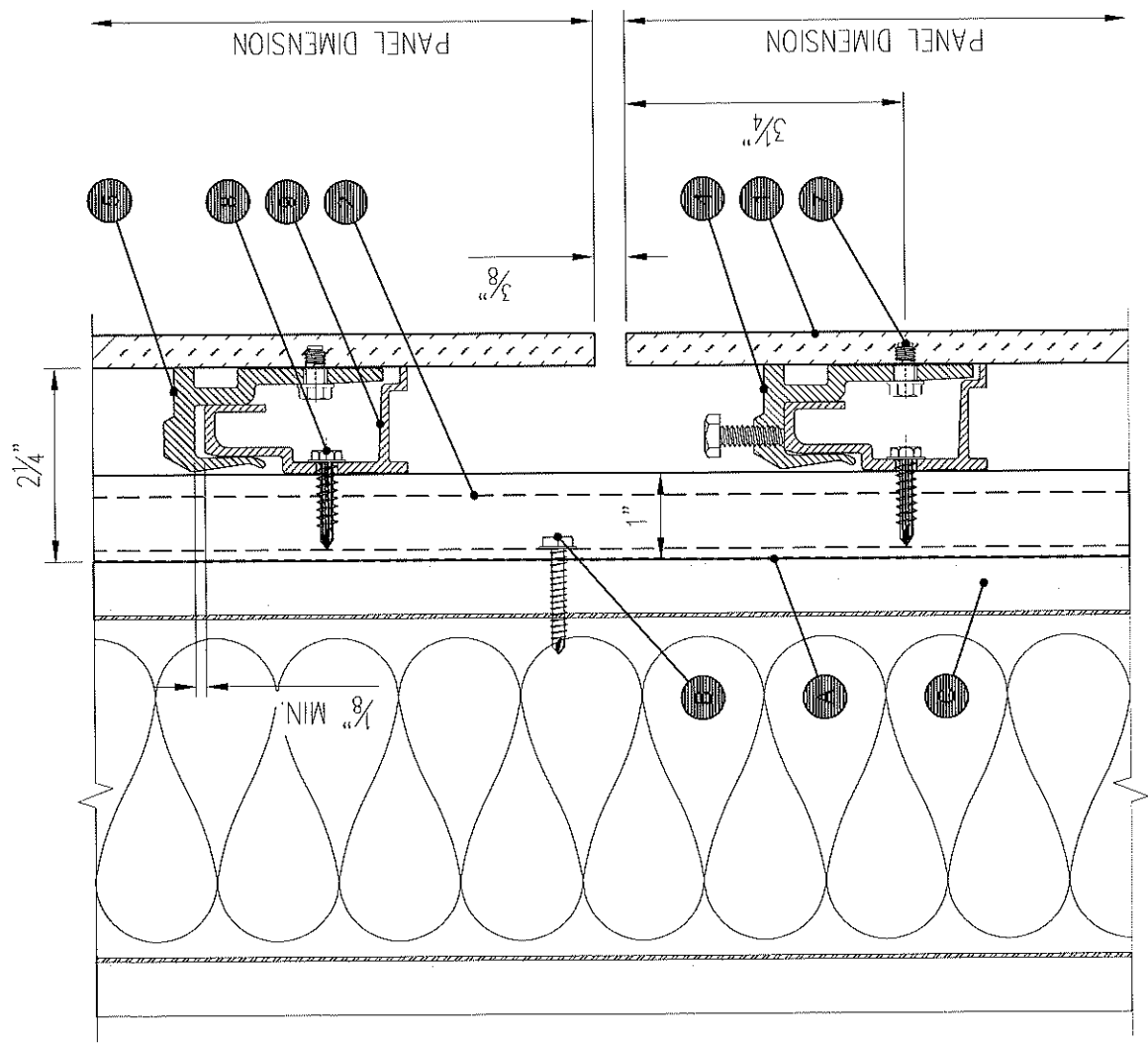
No.	DESCRIPTION
1	TRESPA METEON PANEL (3/8", 1/2") *
2	J-CHANNEL (110-000)
3	HAT-CHANNEL (110-001) -NOT USED
4	ADJUSTABLE BRACKET (200-003)
5	FIXED BRACKET (200-004)
6	PANEL FASTENER (100-000) -NOT USED
7	T U ANCHOR (200-005)
8	RAIL ANCHOR (000-004)
9	RAIL (200-000)
10	SYSTEM CLOSURE (210-000) -NOT USED
11	VENT SCREEN (210-001) -NOT USED
12	CLIP ANCHOR (000-006) -NOT USED
13	CORNER CLOSURE (000-003) -NOT USED
14	JOINT CLOSURE (000-002) -NOT USED

A	APPROVED WRB
B	CHANNEL ANCHOR
C	SHEATHING

* TRESPA MANUFACTURES TRESPA METEON PANELS ONLY.
 PLEASE CONSULT WITH YOUR LOCAL SALES REPRESENTATIVE FOR INFORMATION REGARDING THE SOURCE OF SUPPLY FOR SPECIFIC COMPONENTS NOT SUPPLIED BY TNA AND FOLLOW THE MANUFACTURER'S GUIDELINES.

THESE SHOP DRAWINGS AND TNA'S RECOMMENDATIONS DO NOT ADDRESS THE SUPPORT WALL CONSTRUCTION, STRUCTURAL DETAILS OF THE SUBSTRUCTURE'S ANCHORAGE TO THE SUPPORT WALL OR OTHER DESIGN ELEMENTS. DUE TO THE VARIETY OF CONSTRUCTION CONDITIONS THAT MAY BE PRESENT, TNA IS NOT RESPONSIBLE AND DOES NOT MAKE ANY RECOMMENDATIONS RELATED TO SUPPORT WALL CONSTRUCTION, OR ANCHORAGE OF THE SUBSTRUCTURE TO THE SUPPORT WALL ELEMENTS; TNA STRONGLY ADVISES THAT THESE CONNECTIONS BE DESIGNED BY A LICENSED PROFESSIONAL IN ACCORDANCE WITH APPLICABLE BUILDING CODES, PRODUCT TEST REPORTS, AND OTHER INSTALLATION SUPPORT DOCUMENTS, AS APPLICABLE.

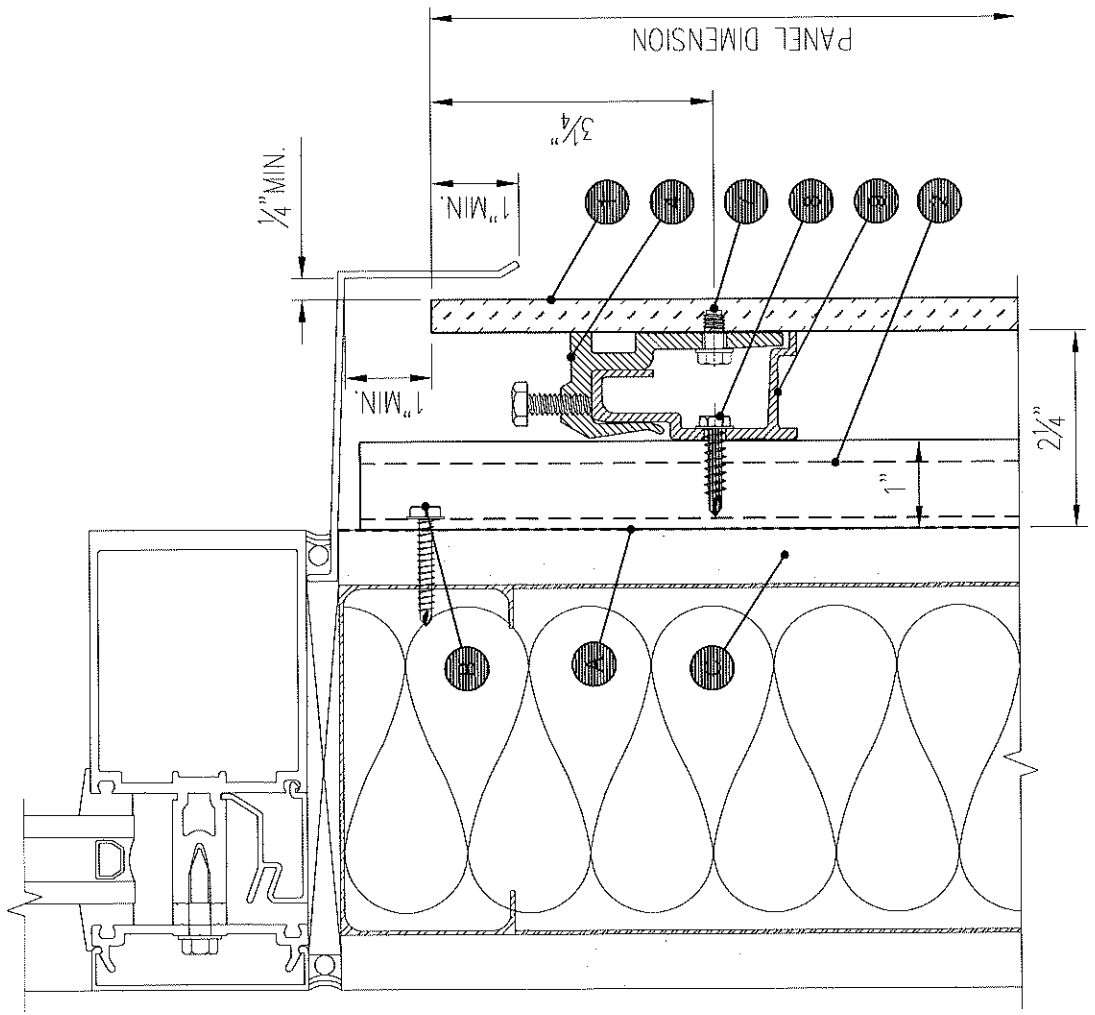
FOR PROJECTS REQUIRING COMPLIANCE WITH THE NFPA 285 FIRE TEST, PLEASE REFER TO OUR WEBSITE FOR SPECIFIC DESIGN DETAILS FOR THE TNA METEON FILING SYSTEMS THAT MEET THE NFPA 285 PERFORMANCE CRITERIA. FOR PROJECTS REQUIRING COMPLIANCE WITH CANADIAN ULC S-134, PLEASE CALL OUR TECHNICAL SERVICES DEPARTMENT FOR MORE INFORMATION.
 SHIMMING SHOULD BE IN ACCORDANCE WITH GENERALLY ACCEPTED CURRENT WALL STANDARDS 1/2" ± 20"



TRESPA Trenga North America, Ltd. 53 Ewing Street, Second Floor, New Canaan, W. Va. 26049 Phone: 336.755.3659 Fax: 336.755.3657	TITLE:	DESIGN BY:	DATE:
	10 HORIZONTAL PANEL JOINT	AT	03.21.2013
SYSTEM	SCALE:	APPROVED BY:	SHEET:
TS210	1/2" = 1"	SG	14 OF 19
	DETAIL:		
	10		

No.	DESCRIPTION
1	TRESPA METEON PANEL (¾" x ¾") *
2	J-CHANNEL (110-000)
3	HAT-CHANNEL (110-001) -NOT USED
4	ADJUSTABLE BRACKET (200-003)
5	FIXED BRACKET (200-004) -NOT USED
6	PANEL FASTENER (100-000)
7	T U ANCHOR (200-005)
8	RAIL ANCHOR (000-004)
9	RAIL (200-000)
10	SYSTEM CLOSURE (210-000) -NOT USED
11	VENT SCREEN (210-001) -NOT USED
12	CLIP ANCHOR (000-006) -NOT USED
13	CORNER CLOSURE (000-003) -NOT USED
14	JOINT CLOSURE (000-002) -NOT USED

A	APPROVED WRB
B	CHANNEL ANCHOR
C	SHEATHING



* TRESPA MANUFACTURES TRESPA METEON PANELS ONLY.
 PLEASE CONSULT WITH YOUR LOCAL SALES REPRESENTATIVE FOR INFORMATION REGARDING THE SOURCE OF SUPPLY FOR SPECIFIC COMPONENTS NOT SUPPLIED BY TMA AND FOLLOW THE MANUFACTURER'S GUIDELINES.

THESE SHOP DRAWINGS AND TMA'S RECOMMENDATIONS DO NOT ADDRESS THE SUPPORT WALL CONSTRUCTION, STRUCTURAL DETAILS OF THE SUBSTRUCTURE'S ANCHORAGE TO THE SUPPORT WALL OR OTHER DESIGN ELEMENTS. DUE TO THE VARIETY OF CONSTRUCTION CONDITIONS THAT MAY BE PRESENT, TMA IS NOT RESPONSIBLE AND DOES NOT MAKE ANY RECOMMENDATIONS RELATED TO SUPPORT WALL CONSTRUCTION OR ANCHORAGE OF THE SUBSTRUCTURE TO THE SUPPORT WALL ELEMENTS. TMA STRONGLY ADVISES THAT THESE CONNECTIONS BE DESIGNED BY A LICENSED PROFESSIONAL IN ACCORDANCE WITH APPLICABLE BUILDING CODES, PRODUCT TEST REPORTS, AND OTHER INSTALLATION SUPPORT DOCUMENTS, AS APPLICABLE.

FOR PROJECTS REQUIRING COMPLIANCE WITH THE NFPA 285 FIRE TEST, PLEASE REFER TO OUR WEBSITE FOR SPECIFIC DESIGN DETAILS FOR THE TMA METEON FINISH SYSTEMS THAT MEET THE NFPA 285 PERFORMANCE CRITERIA FOR PROJECTS REQUIRING COMPLIANCE WITH CANADIAN ULC S-134. PLEASE CALL OUR TECHNICAL SERVICES DEPARTMENT FOR MORE INFORMATION.

SHIMMING SHOULD BE IN ACCORDANCE WITH GENERALLY ACCEPTED CURTAIN WALL STANDARDS 4" x 20"

DESIGN BY:	AT	DATE:	03.21.2013
APPROVED BY:	SG	SHEET:	16 OF 19

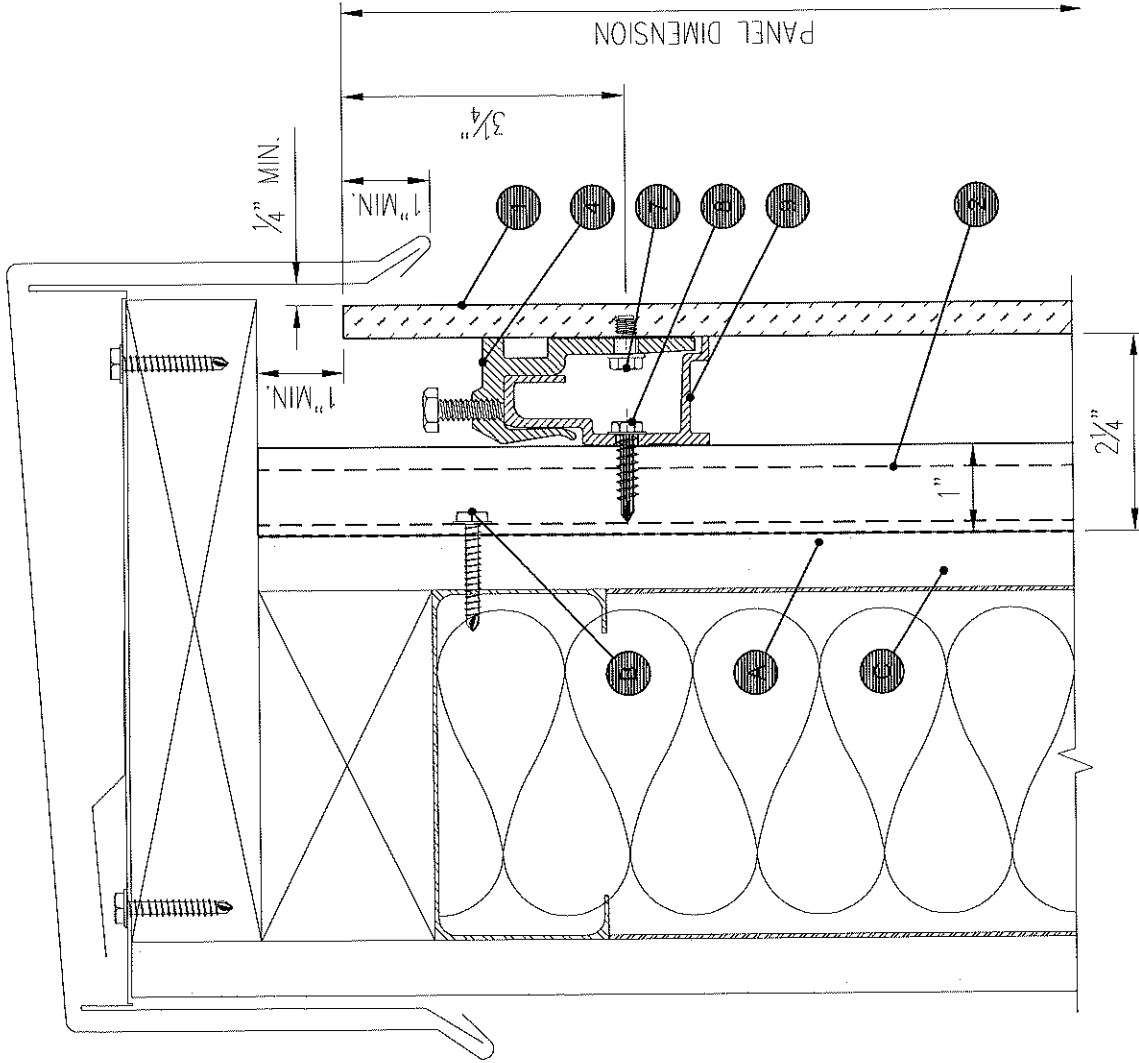
SCALE:	1/2" = 1"	DETAIL:	11
--------	-----------	---------	----

TITLE:	11 WINDOW SILL SYSTEM
TS210	

TRESPA
 Trespá North America, Ltd.
 27 Shomo Street, Toronto, Ont.
 M5T 1S7, Canada
 Tel: 416-593-7333
 Fax: 416-593-7334
 Email: sales@trespacan.com

No.	DESCRIPTION
1	TRESPA METEON PANEL (3/8", 1/2") *
2	J-CHANNEL (110-000)
3	HAT-CHANNEL (110-001) -NOT USED
4	ADJUSTABLE BRACKET (200-003)
5	FIXED BRACKET (200-004) -NOT USED
6	PANEL FASTENER (100-000)
7	T U ANCHOR (200-005)
8	RAIL ANCHOR (000-004)
9	RAIL (200-000)
10	SYSTEM CLOSURE (210-000) -NOT USED
11	VENT SCREEN (210-001) -NOT USED
12	CLIP ANCHOR (000-006) -NOT USED
13	CORNER CLOSURE (000-003) -NOT USED
14	JOINT CLOSURE (000-002) -NOT USED

A	APPROVED WRB
B	CHANNEL ANCHOR
C	SHEATHING



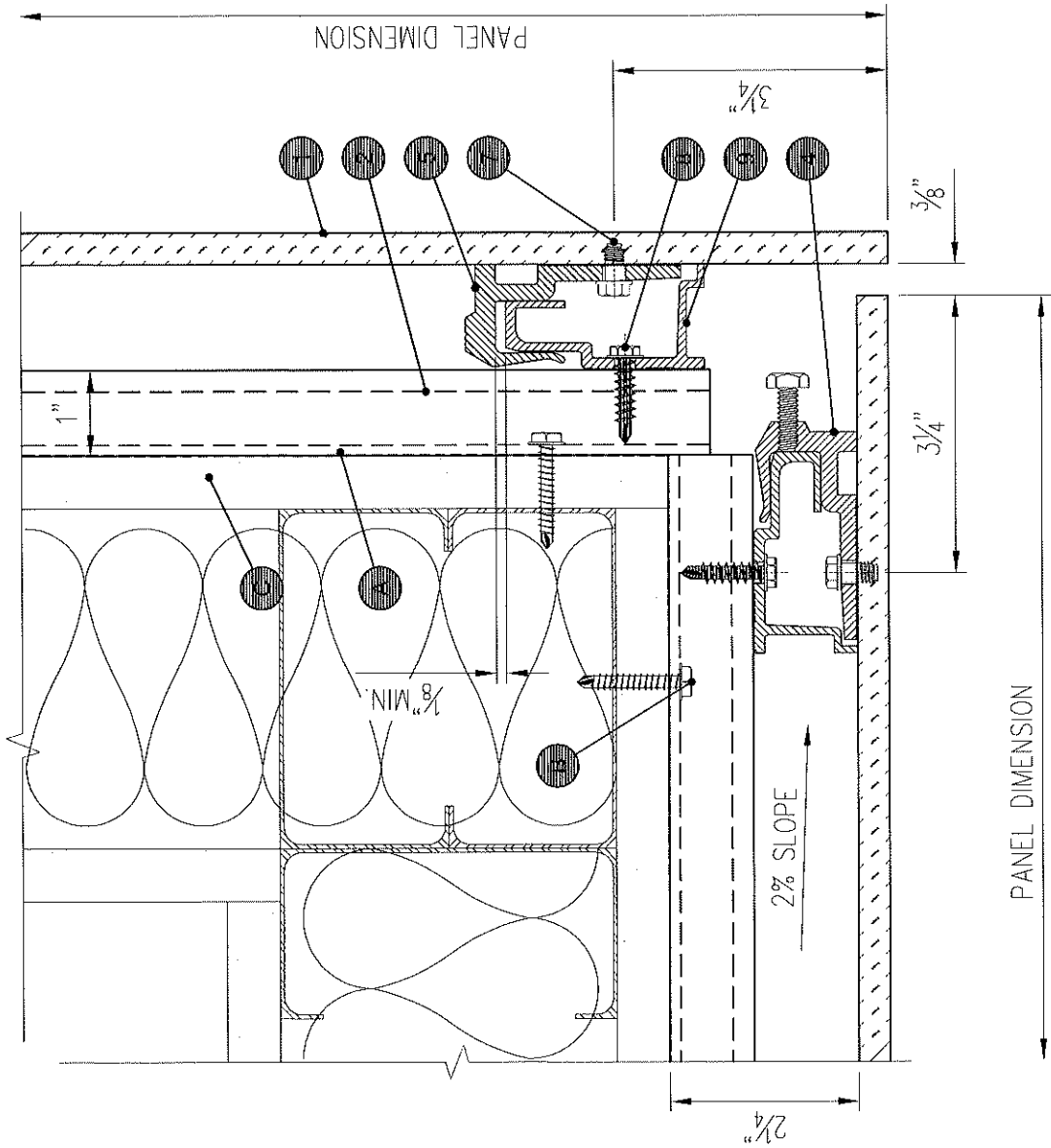
* TRESPA MANUFACTURES TRESPA METEON PANELS ONLY.
PLEASE CONSULT WITH YOUR LOCAL SALES REPRESENTATIVE FOR INFORMATION REGARDING THE SOURCE OF SUPPLY FOR SPECIFIC COMPONENTS NOT SUPPLIED BY TNA AND FOLLOW THE MANUFACTURER'S GUIDELINES.

THESE SHOP DRAWINGS AND TNA'S RECOMMENDATIONS DO NOT ADDRESS THE SUPPORT WALL CONSTRUCTION, STRUCTURAL DETAILS OF THE SUBSTRUCTURE'S ANCHORAGE TO THE SUPPORT WALL OR OTHER DESIGN ELEMENTS. DUE TO THE VARIETY OF CONSTRUCTION CONDITIONS THAT MAY BE PRESENT, TNA IS NOT RESPONSIBLE AND DOES NOT MAKE ANY RECOMMENDATIONS RELATED TO SUPPORT WALL CONSTRUCTION OR ANCHORAGE OF THE SUBSTRUCTURE TO THE SUPPORT WALL ELEMENTS. TNA STRONGLY ADVISES THAT THESE CONNECTIONS BE DESIGNED BY A LICENSED PROFESSIONAL IN ACCORDANCE WITH APPLICABLE BUILDING CODES, PRODUCTS TEST REPORTS, AND OTHER INSTALLATION SUPPORT DOCUMENTS, AS APPLICABLE.
FOR PROJECTS REQUIRING COMPLIANCE WITH THE NFPA 285 FIRE TEST, PLEASE REFER TO OUR WEBSITE FOR SPECIFIC DESIGN DETAILS FOR THE TNA METEON FINISH SYSTEMS THAT MEET THE NFPA 285 PERFORMANCE CRITERIA FOR PROJECTS REQUIRING COMPLIANCE WITH CANADIAN UIC S-134. PLEASE CALL OUR TECHNICAL SERVICES DEPARTMENT FOR MORE INFORMATION.
SHIMMING SHOULD BE IN ACCORDANCE WITH GENERALLY ACCEPTED CURTAIN WALL STANDARDS 4" - 20"

TRESPA Trepsa North America, Ltd. 82 Dorset Street (Second Floor) New York, NY 10013 Phone: 212 437 1477 Fax: 212 437 1462 www.trepsa.com/na	TITLE: 12 PARAPET CAP SYSTEM		SCALE: 1/2" = 1"	DETAIL: 12	DESIGN BY: AT	DATE: 03.21.2013
	TS210		APPROVED BY: SG	SHEET: 17 OF 19		

No.	DESCRIPTION
1	TRESPA METEON PANEL (3/8" x 1/2") *
2	J-CHANNEL (110-000)
3	HAT-CHANNEL (110-001) -NOT USED
4	ADJUSTABLE BRACKET (200-003)
5	FIXED BRACKET (200-004)
6	PANEL FASTENER (100-000) -NOT USED
7	T U ANCHOR (200-005)
8	RAIL ANCHOR (000-004)
9	RAIL (200-000)
10	SYSTEM CLOSURE (210-000) -NOT USED
11	VENT SCREEN (210-001) -NOT USED
12	CLIP ANCHOR (000-006) -NOT USED
13	CORNER CLOSURE (000-003) -NOT USED
14	JOINT CLOSURE (000-002) -NOT USED

A.	APPROVED MRB
B.	CHANNEL ANCHOR
C.	SHEATHING



* TRESPA MANUFACTURES TRESPA METEON PANELS ONLY.
 PLEASE CONSULT WITH YOUR LOCAL SALES REPRESENTATIVE FOR INFORMATION REGARDING THE SOURCE OF SUPPLY FOR SPECIFIC COMPONENTS NOT SUPPLIED BY TMA AND FOLLOW THE MANUFACTURER'S GUIDELINES.

THESE SHOP DRAWINGS AND TMA'S RECOMMENDATIONS DO NOT ADDRESS THE SUPPORT WALL CONSTRUCTION, STRUCTURAL DETAILS OF THE SUBSTRUCTURE'S ANCHORAGE TO THE SUPPORT WALL OR OTHER DESIGN ELEMENTS. DUE TO THE VARIETY OF CONSTRUCTION CONDITIONS THAT MAY BE PRESENT, TMA IS NOT RESPONSIBLE AND DOES NOT MAKE ANY RECOMMENDATIONS RELATED TO SUPPORT WALL CONSTRUCTION OR ANCHORAGE OF THE SUBSTRUCTURE TO THE SUPPORT WALL ELEMENTS. TMA STRONGLY ADVISES THAT THESE CONNECTIONS BE DESIGNED BY A LICENSED PROFESSIONAL IN ACCORDANCE WITH APPLICABLE BUILDING CODES, PRODUCT TEST REPORTS, AND OTHER INSTALLATION SUPPORT DOCUMENTS, AS APPLICABLE.

FOR PROJECTS REQUIRING COMPLIANCE WITH THE NFPA 285 FIRE TEST, PLEASE REFER TO OUR WEBSITE FOR SPECIFIC DESIGN DETAILS FOR THE TMA METEON FASTENING SYSTEMS THAT MEET THE FIRE RESISTANCE CRITERIA. FOR PROJECTS REQUIRING PERFORMANCE WITH CHANGING LOCAL CODES, PLEASE CALL OUR TECHNICAL SERVICES DEPARTMENT FOR MORE INFORMATION.
 DRAWINGS SHOULD BE IN ACCORDANCE WITH GENERALLY ACCEPTED CURTAIN WALL STANDARDS 4" x 20"

TRESPA Trespco North America, Ltd. 17700 104th Street, Grand Rapids, MI 49508 Tel: 616.457.1773 Fax: 616.457.1382 www.trespacorp.com	TITLE: 14 SOFFIT DETAIL		DESIGN BY: AT	DATE: 03.21.2013
	SYSTEM: TS210		APPROVED BY: SG	SHEET: 19 OF 19
SCALE: 1/2" = 1"		DETAIL: 14		