
SEEDS OF HEALTH - HIGH SCHOOL EXTERIOR BUILDING IMPROVEMENTS

918 VEL R. PHILLIPS AVE
MILWAUKEE, WI 53203



SEEDS OF
HEALTH, INC.

CERTIFICATE OF APPROPRIATENESS - SUBMISSION

EXTERIOR RENOVATION

06/30/2022

PROJECT NUMBER: 319396-02

1

2

3

4

5

6

7



milwaukee 333 East Chicago Street
Milwaukee, Wisconsin 53202
414.271.5350

madison 309 West Johnson Street, Suite 202
Madison, Wisconsin 53703
608.442.2550

denver 1899 Wynkoop Street, Suite 300
Denver, Colorado 80202
303.595.4500

PROJECT INFORMATION

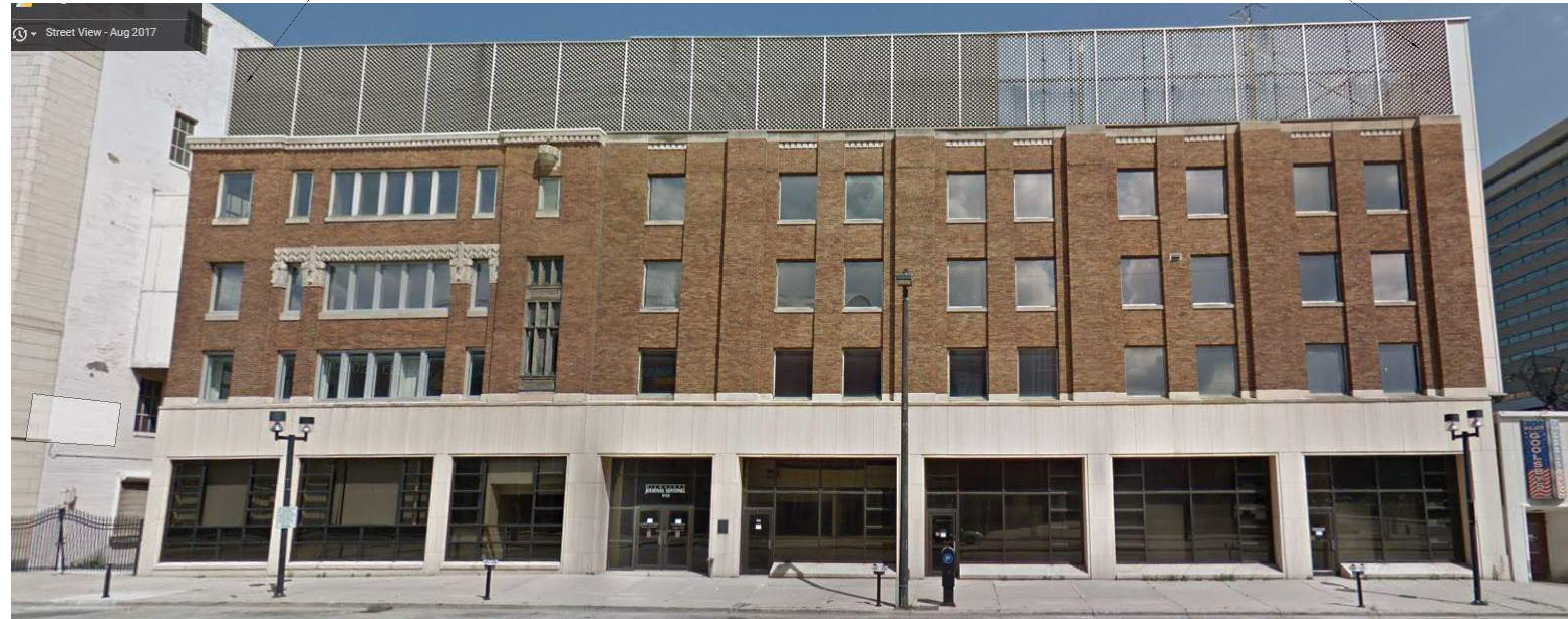
**SEEDS OF HEALTH -
HIGH SCHOOL
EXTERIOR BUILDING
IMPROVEMENTS**

D 918 VEL R. PHILLIPS
AVE
MILWAUKEE, WI
53203

ISSUANCE AND REVISIONS

DATE	DESCRIPTION
01/10/2021	IFPC APPROVAL
05/23/2022	CONSTRUCTION DOCUMENTS
06/17/2022	COA AMENDMENT
06/30/2022	HISTORICAL COA APPLICATION

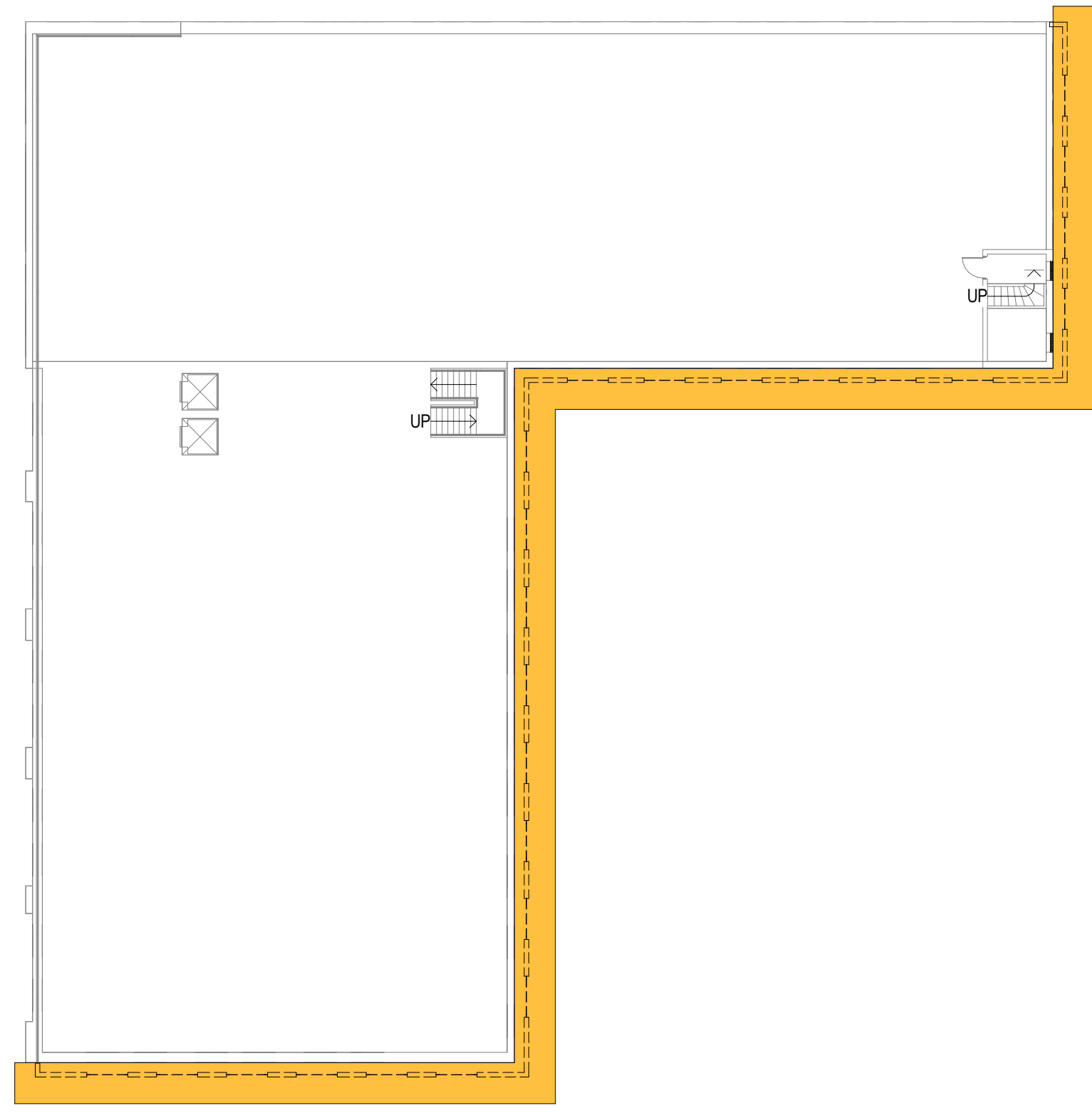
SCREEN TO REMAIN ALONG WEST ELEVATION



CURRENT WEST ELEVATION

E

D



SCREEN DEMOLITION PLAN
1" = 20'-0"

SHADED REGION INDICATES
AREA FOR SCREEN REMOVAL

C

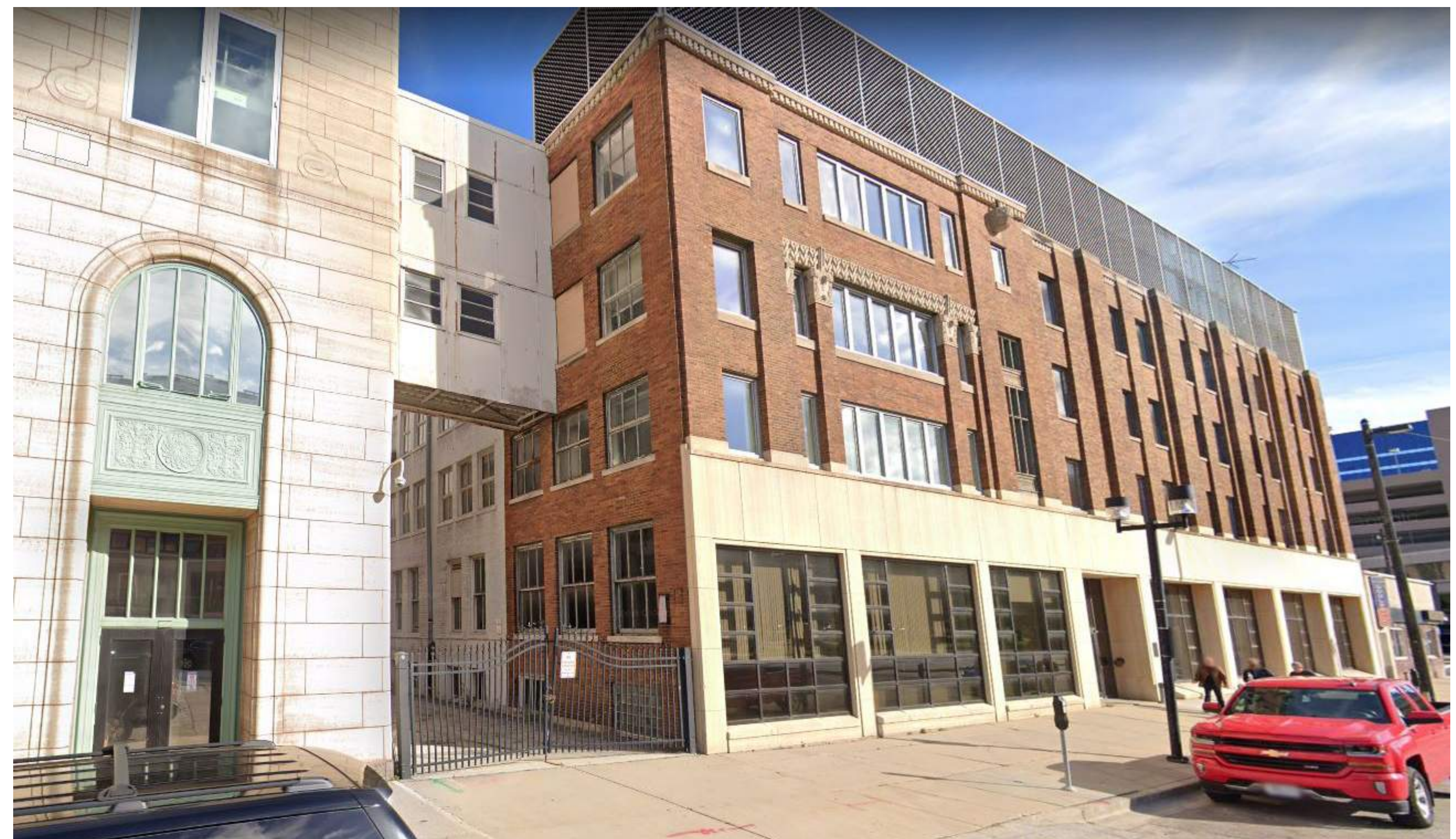
REMOVE METAL SCREEN ALONG
SOUTH AND EAST ELEVATIONS,
SEE PLAN ABOVE



CURRENT SOUTH AERIAL

B

A



CURRENT NORTH WEST STREET VIEW

4

5

6

7

C

KEY PLAN

B

SHEET INFORMATION

PROJECT MANAGER MS
PROJECT NUMBER 319396-02

EXTERIOR
ELEVATIONS

A200

© 2020 Epstein Uhen Architects, Inc.

ISSUANCE AND REVISIONS

DATE	DESCRIPTION
01/10/2021	HPC APPROVAL
05/23/2022	CONSTRUCTION DOCUMENTS
06/17/2022	COA AMENDMENT
06/30/2022	HISTORICAL COA APPLICATION

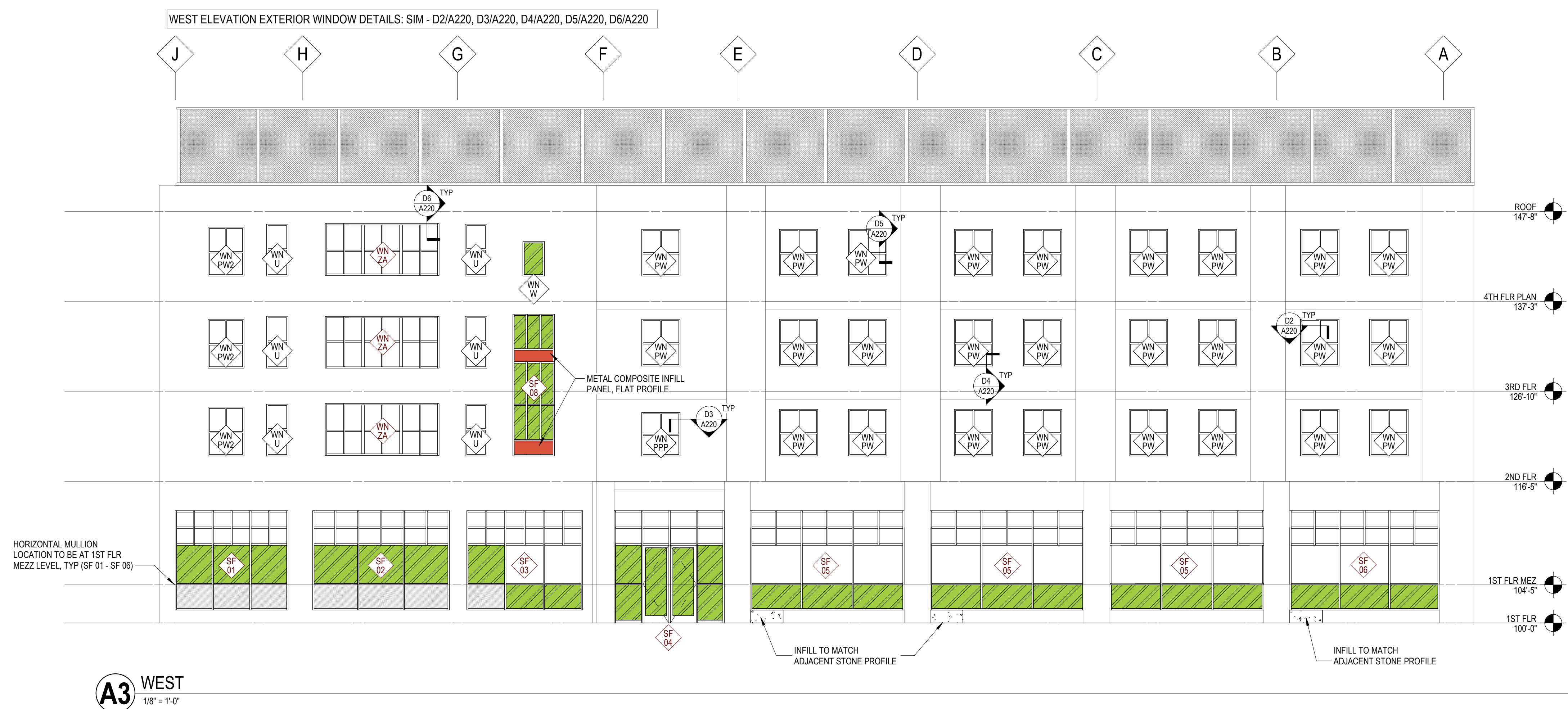
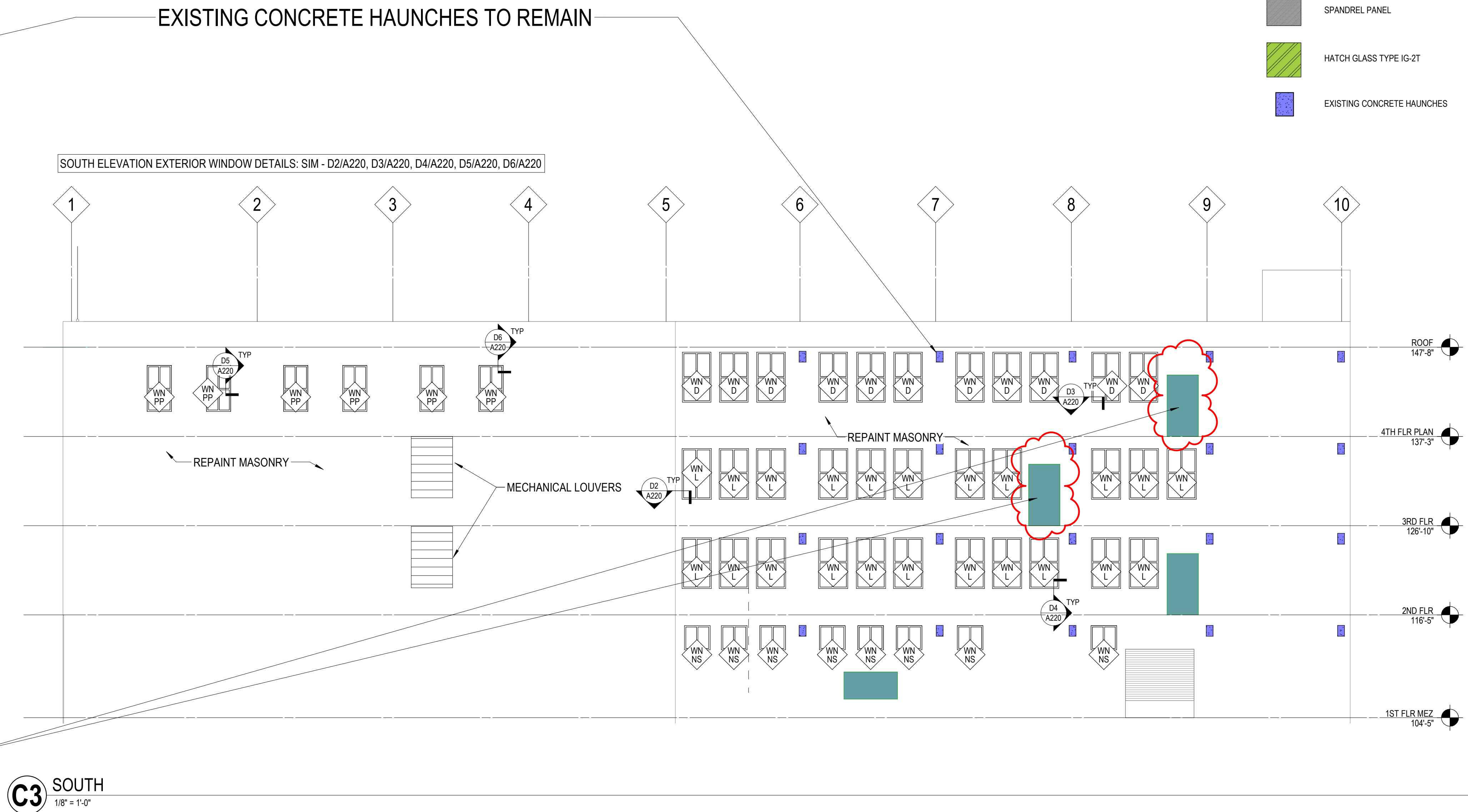


CONCRETE HAUNCH

REMOVE EXISTING DOORS AND INFILL THE
OPENINGS WITH MASONRY TO MATCH THE
EXISTING ADJACENT MASONRY



EXISTING SOUTH ELEVATION





milwaukee 333 East Chicago Street
Milwaukee, Wisconsin 53202
414.271.5350

madison 309 West Johnson Street, Suite 202
Madison, Wisconsin 53703
608.442.2550

denver 1899 Wynkoop Street, Suite 300
Denver, Colorado 80202
303.556.4500

WINDOW FRAME NOTES

1. GENERAL NOTES
1A. ALL OPENING DIMENSIONS TO BE FIELD VERIFIED. DIMENSIONS ARE SHOWN FOR INFORMATION ONLY AND MUST BE CONFIRMED PRIOR TO WINDOW FABRICATION.
1B. PROVIDE NEW ROLLER SHADES AT EACH WINDOW.
1C. SINGLE HUNG WINDOW BASIS OF DESIGN, QUAKER H650
1D. STOREFRONT SYSTEM BASIS OF DESIGN, KAWNEER 461T

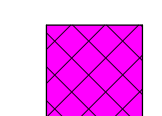
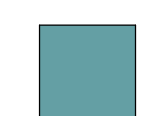
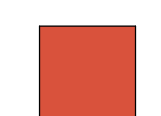
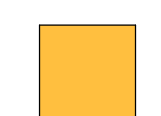
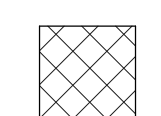
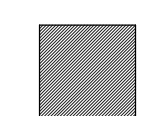
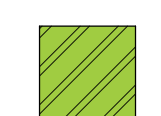
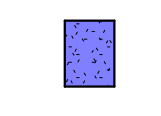
2. FRAME NOTES
2A. DARK BRONZE COLOR FOR ALL NEW EXTERIOR FRAMES
2B. ALL FRAMES TO BE EXTERIOR ALUMINUM STOREFRONT WINDOW SYSTEM WITH 2" X 4 1/2" MILLION PROFILE UNLESS NOTED OR DIMENSIONED OTHERWISE.

3. GLAZING NOTES
3A. ALL GLAZING IN EXTERIOR FRAMES TO BE IG-1 UNLESS NOTED OTHERWISE.
3B. WINDOWS IN RESTROOMS TO HAVE GLASS TYPE IG-6.

GLAZING SCHEDULE

IG-1 INSULATING GLASS, CLEAR, LOW-E, ARGON FILLED, 1" THICK
IG-2T INSULATING GLASS, CLEAR, LOW-E, ARGON FILLED, FULLY TEMPERED, 1" THICK
IG-6 INSULATING GLASS, TRANSLUCENT FROSTED, LOW-E, ARGON FILLED, 1" THICK
IG-6T INSULATING GLASS, TRANSLUCENT FROSTED, LOW-E, ARGON FILLED, FULLY TEMPERED, 1" THICK

KEY

-  HATCH GLASS TYPE IG-6T
-  INFILL OPENING, CONSTRUCTION TO MATCH ADJACENT MATERIALS AND ASSEMBLY
-  METAL COMPOSITE INFILL PANEL, FLAT PROFILE
-  ALUMINUM TRIM TO MATCH WINDOW FRAME COLOR
-  GLASS TYPE IG-6
-  SPANDREL PANEL
-  HATCH GLASS TYPE IG-2T
-  EXISTING CONCRETE HAUNCHES

PROJECT INFORMATION

SEEDS OF HEALTH - HIGH SCHOOL EXTERIOR BUILDING IMPROVEMENTS

D 918 VEL R. PHILLIPS AVE MILWAUKEE, WI 53203

ISSUANCE AND REVISIONS

DATE	DESCRIPTION
01/10/2021	HPC APPROVAL
05/23/2022	CONSTRUCTION DOCUMENTS
06/17/2022	COA AMENDMENT
06/30/2022	HISTORICAL COA APPLICATION

KEY PLAN

SHEET INFORMATION

PROJECT MANAGER MS
PROJECT NUMBER 319396-02

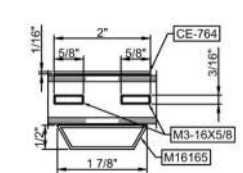
EXTERIOR FRAME TYPES & EXTERIOR DETAILS

A220

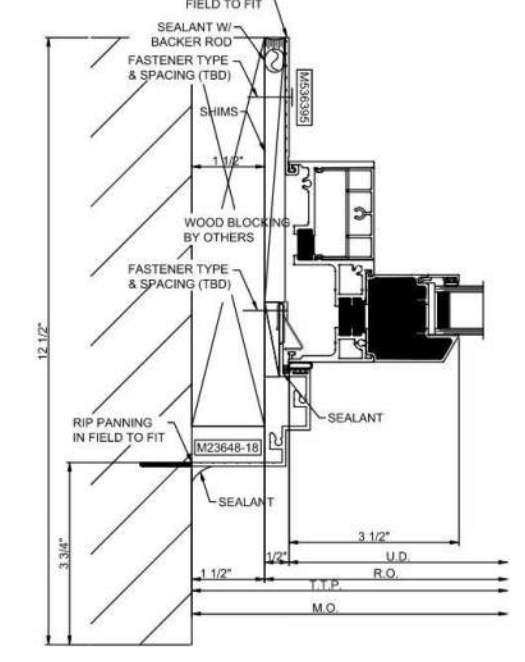
© 2020 Epstein Uhen Architects, Inc.

1 2 3 4 5 6 7

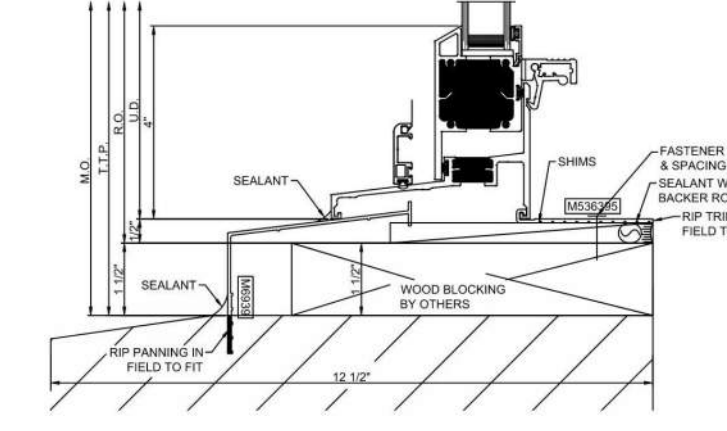
E



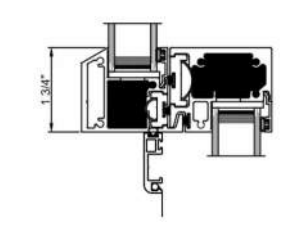
E2 C1 - WINDOW MULLION (PLAN VIEW)
3" = 1'-0"



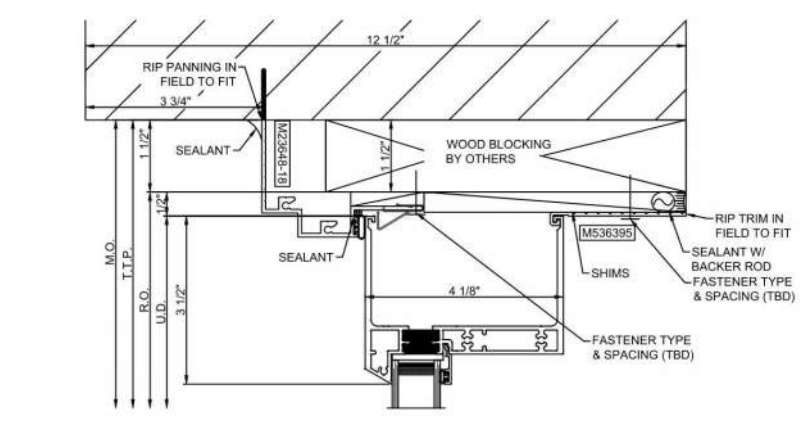
E3 C1 - WINDOW JAMB
3" = 1'-0"



E4 C1 - WINDOW SILL
3" = 1'-0"

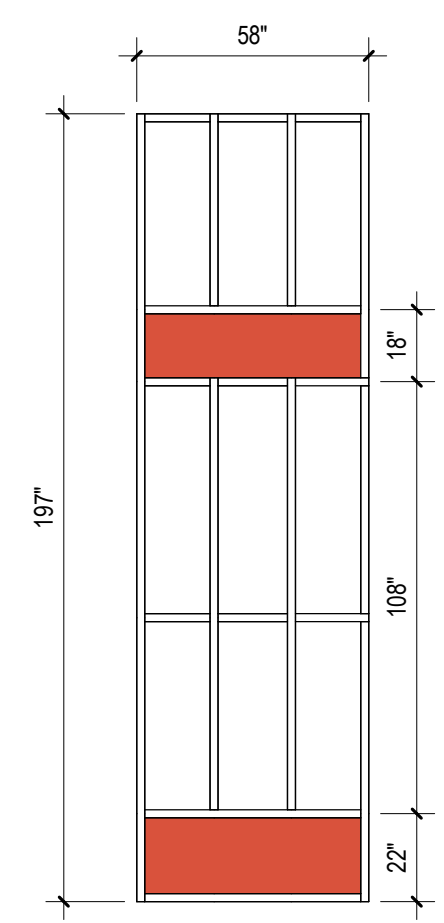


E5 C1 - WINDOW MULLION (SECTION)
3" = 1'-0"

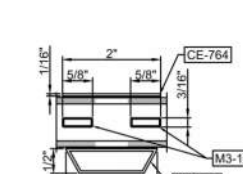


E6 C1 - WINDOW HEAD
3" = 1'-0"

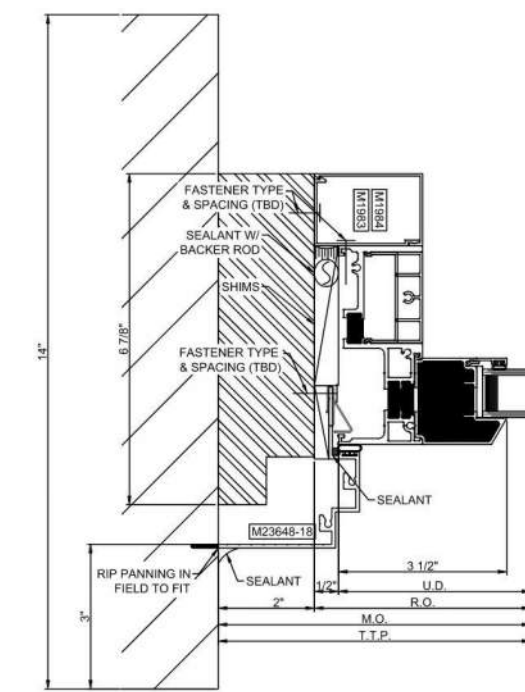
D



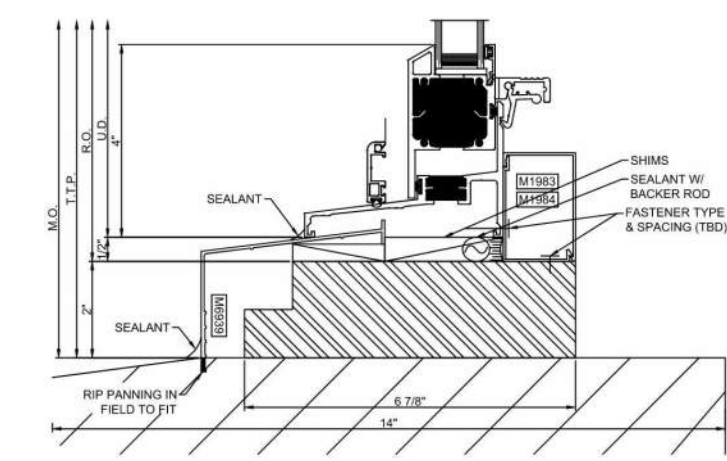
D2 C2 - WINDOW MULLION (PLAN VIEW)
3" = 1'-0"



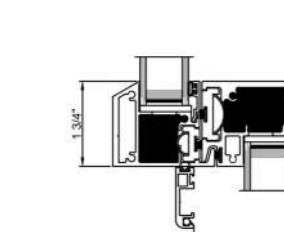
D3 C2 - WINDOW JAMB
3" = 1'-0"



D4 C2 - WINDOW SILL
3" = 1'-0"



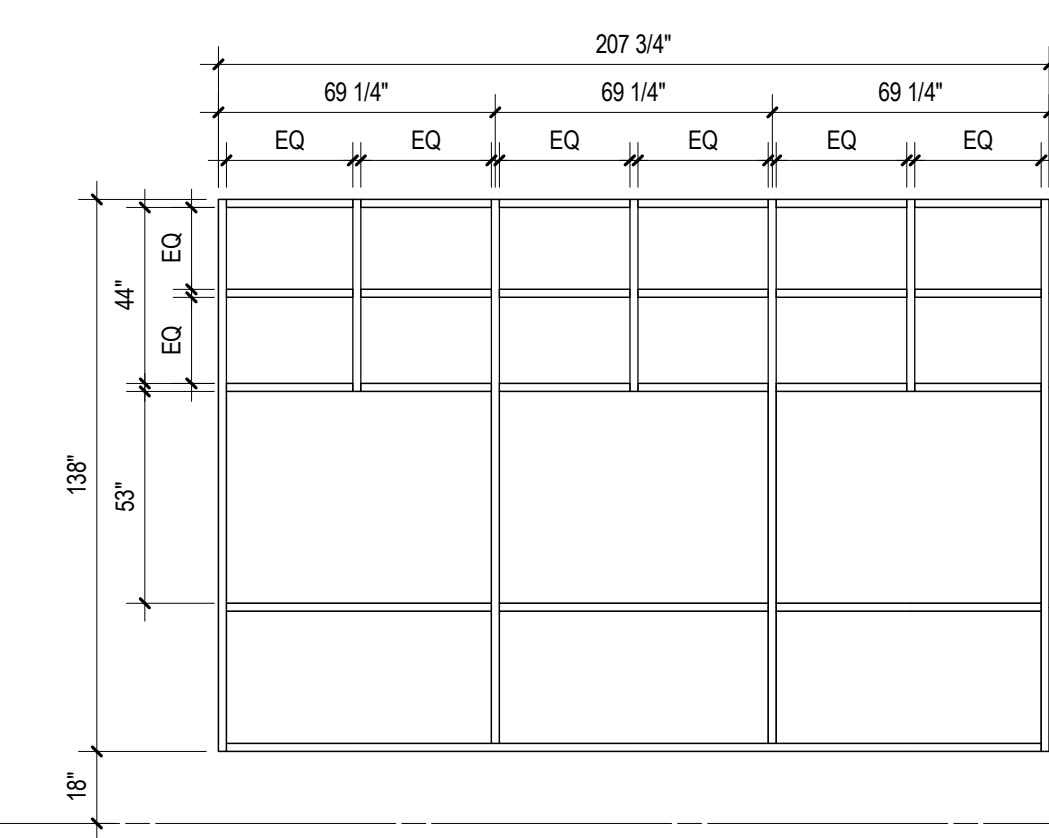
D5 C2 - WINDOW MULLION (SECTION)
3" = 1'-0"



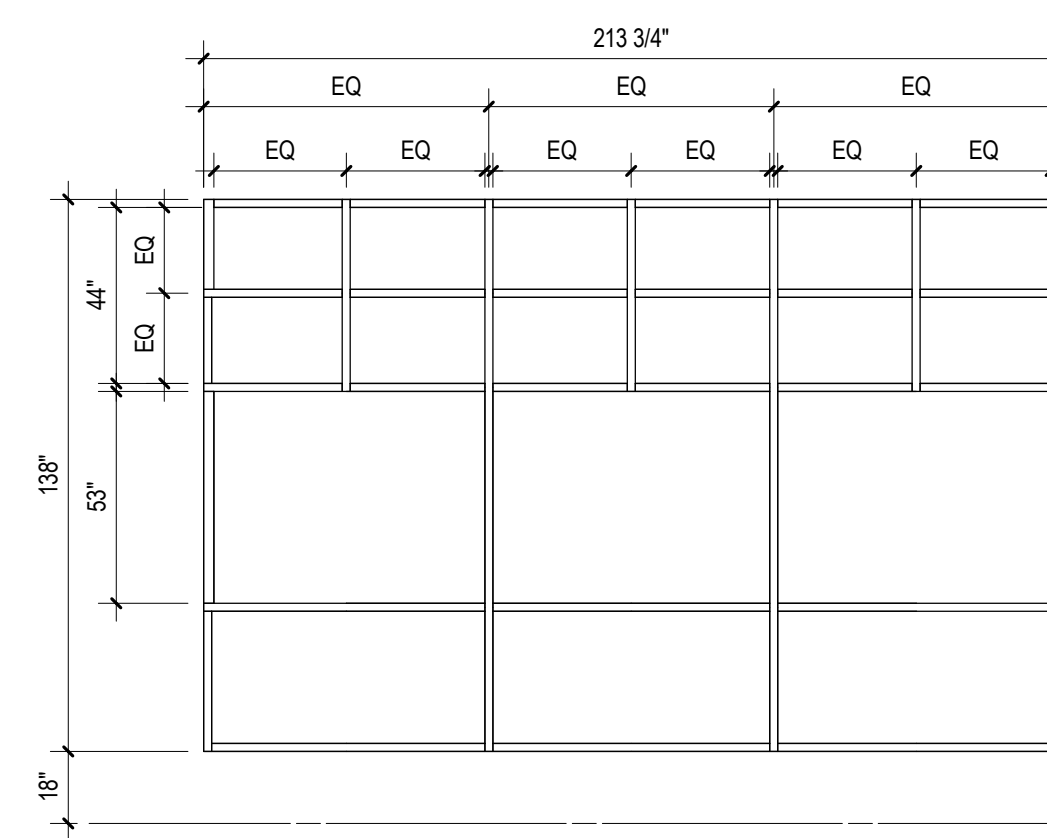
D6 C2 - WINDOW HEAD
3" = 1'-0"

STOREFRONT - 07

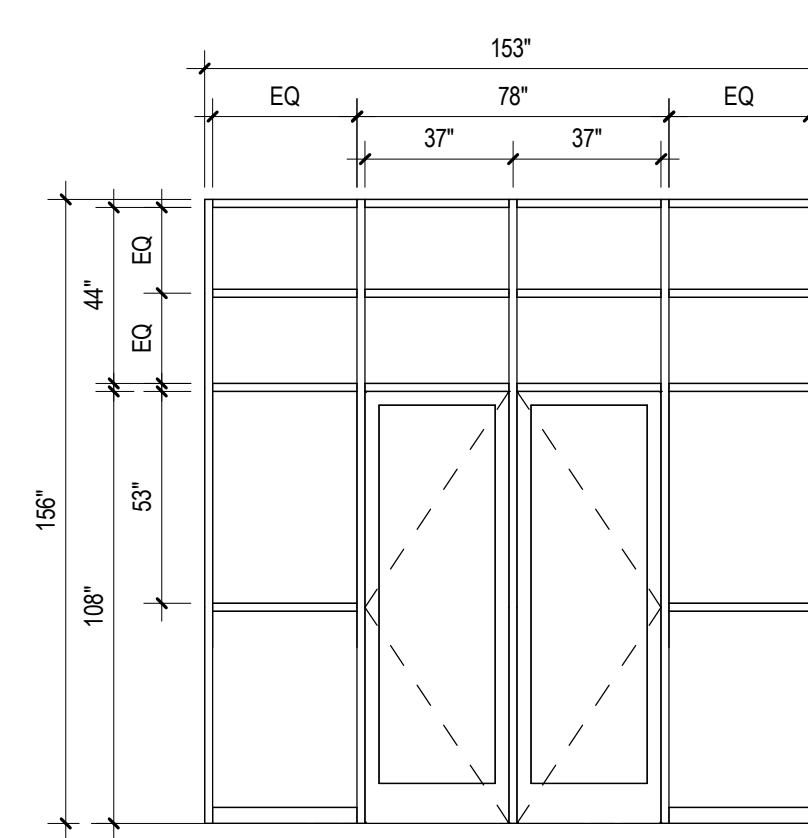
C



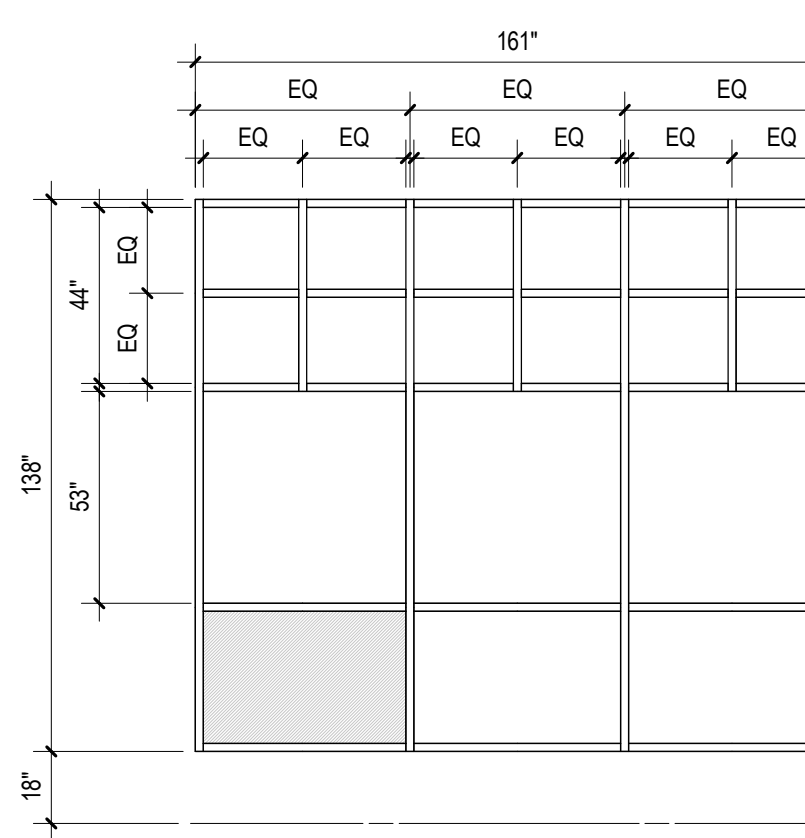
STOREFRONT - 06



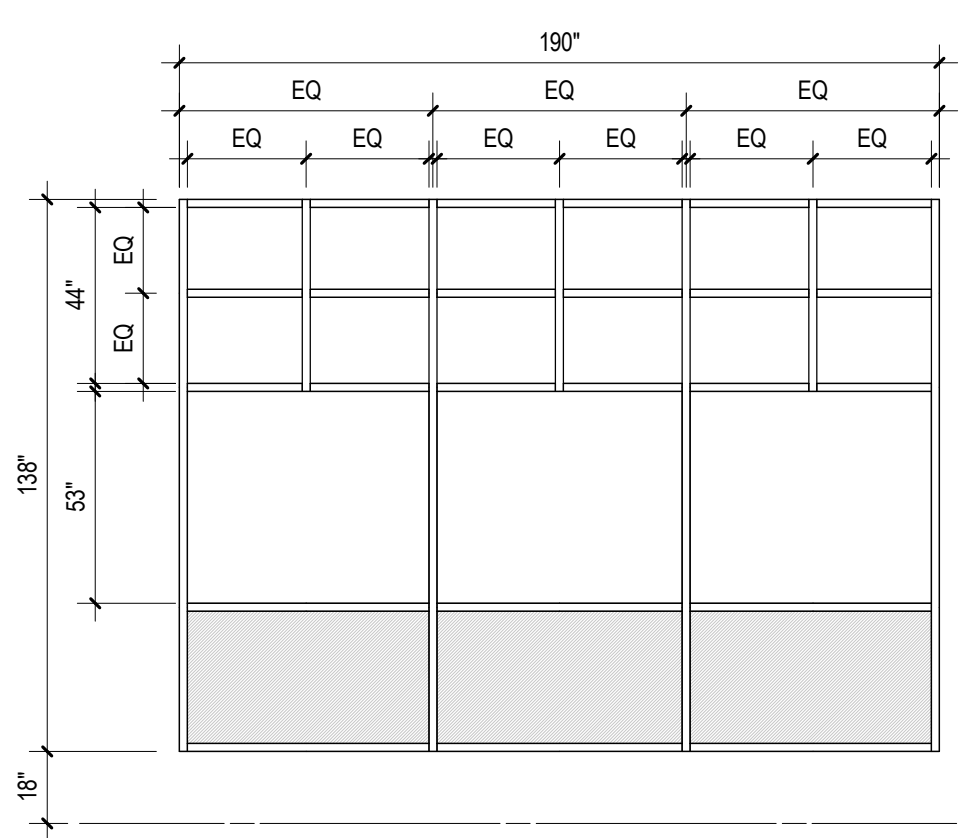
STOREFRONT - 05



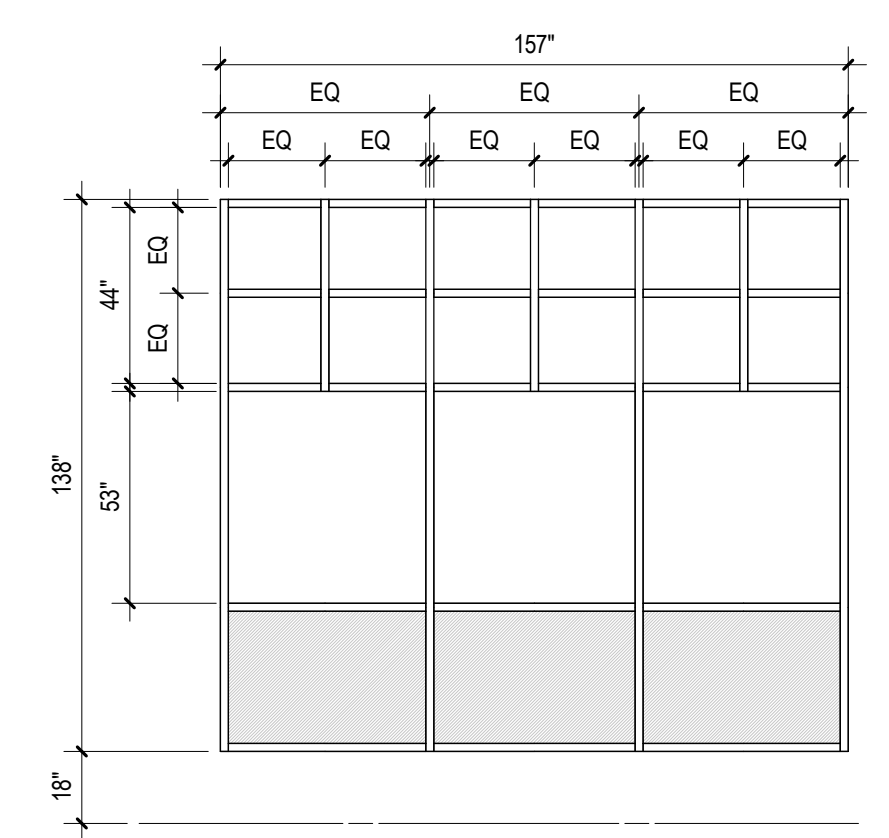
STOREFRONT - 04



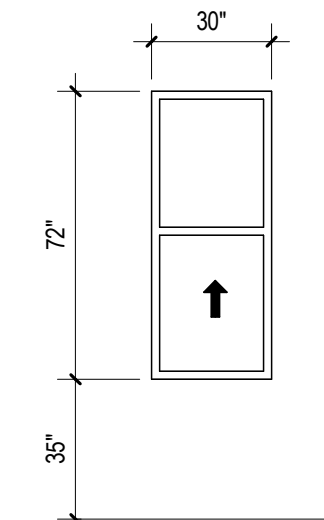
STOREFRONT - 03



STOREFRONT - 02

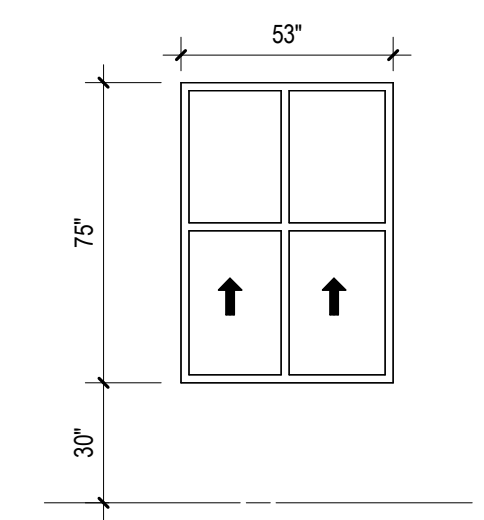


STOREFRONT - 01

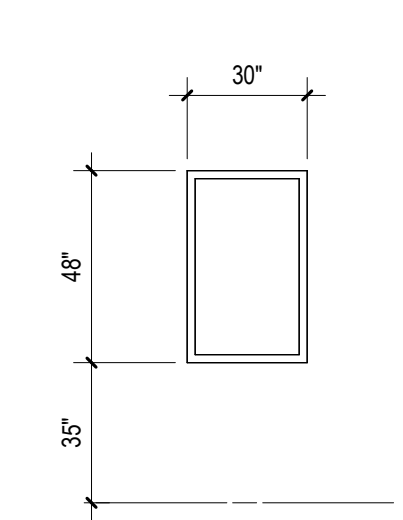


TYPE U

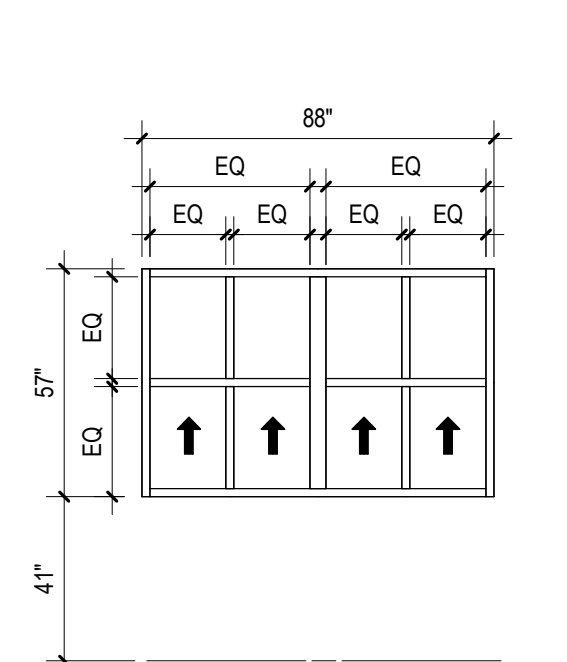
B



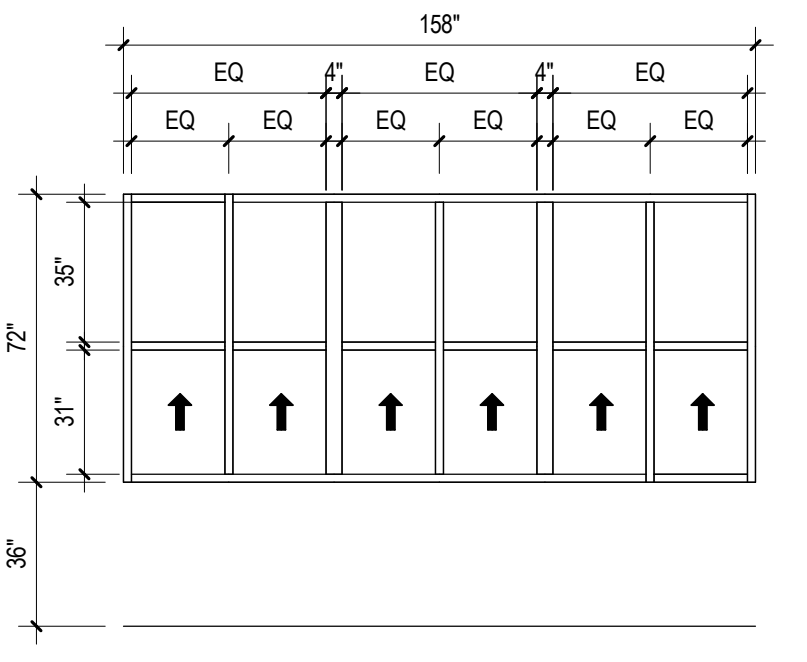
TYPE V



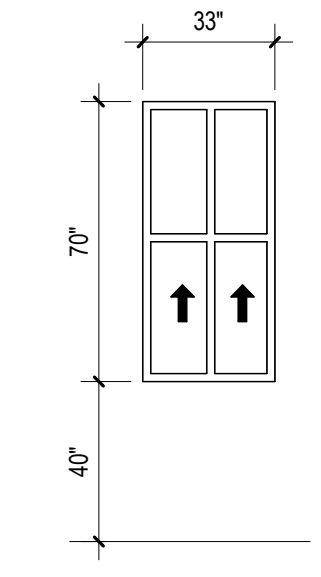
TYPE W



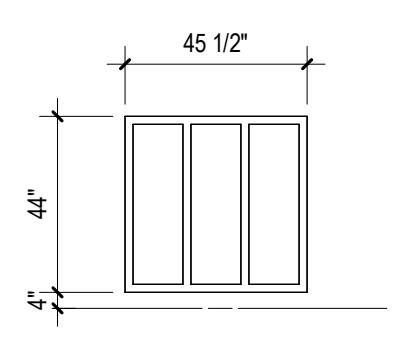
TYPE Z



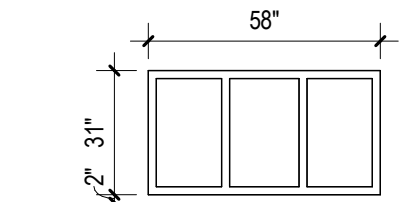
TYPE ZA



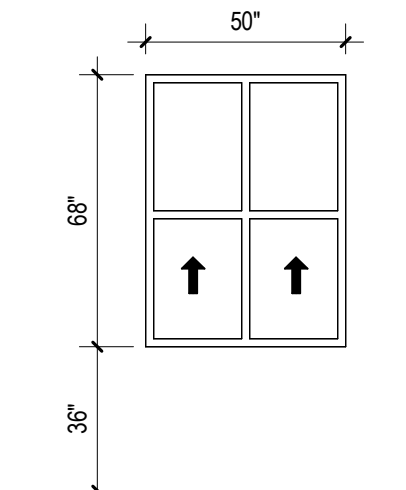
TYPE S



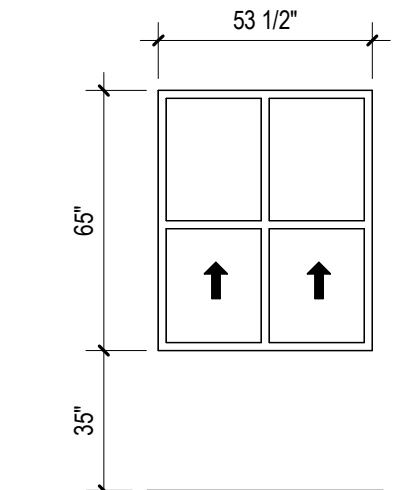
TYPE QQ



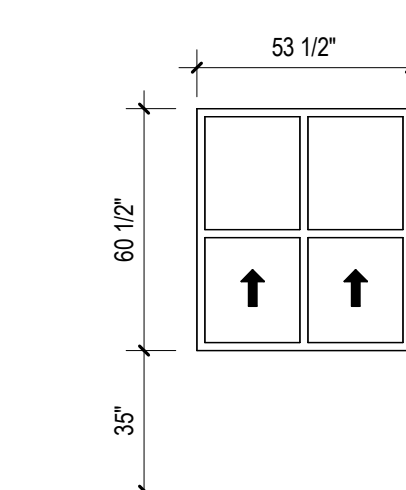
TYPE Q



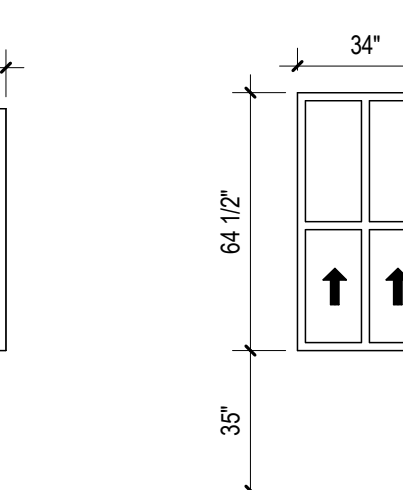
TYPE PW2



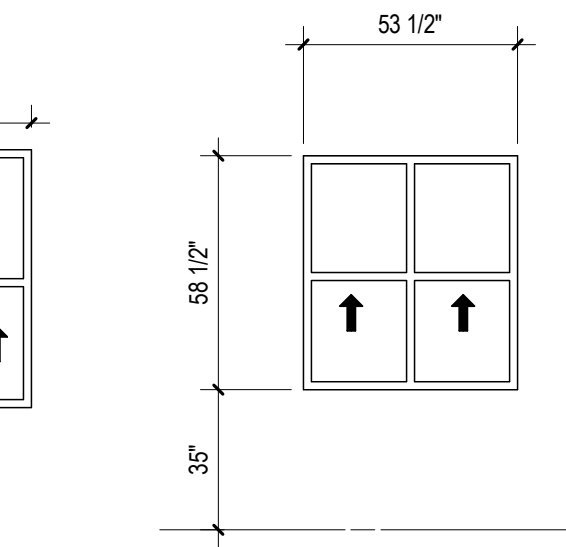
TYPE PW



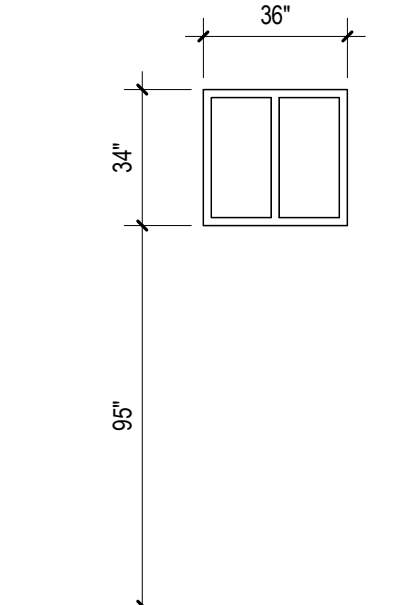
TYPE PPP



TYPE PP

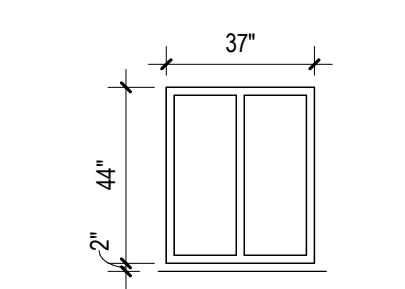


TYPE PE

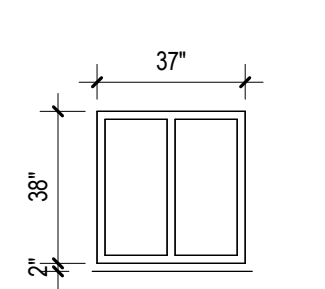


TYPE NS

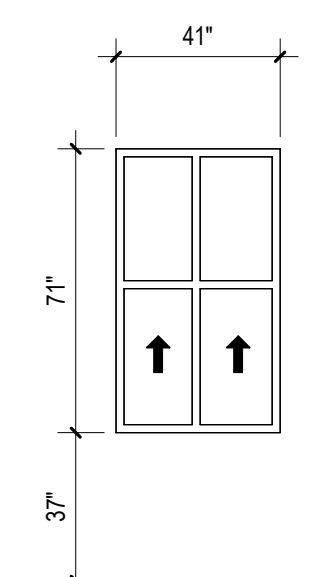
A



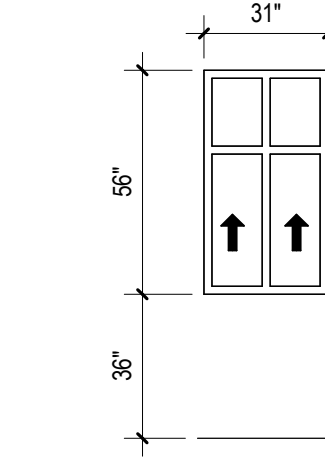
TYPE NN



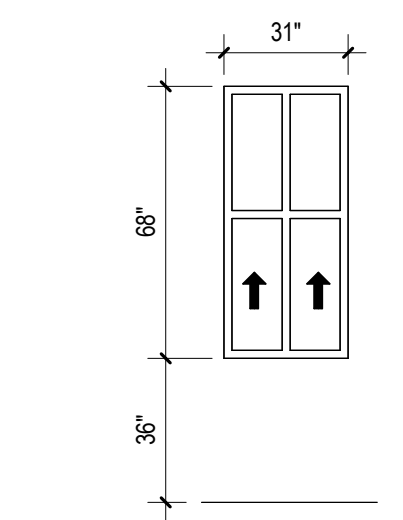
TYPE N



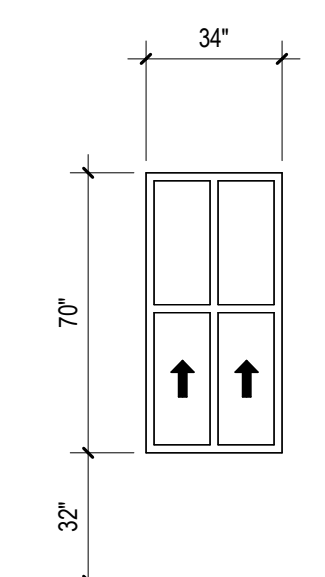
TYPE L



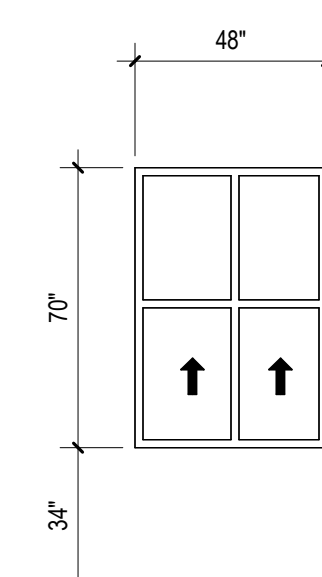
TYPE KKK



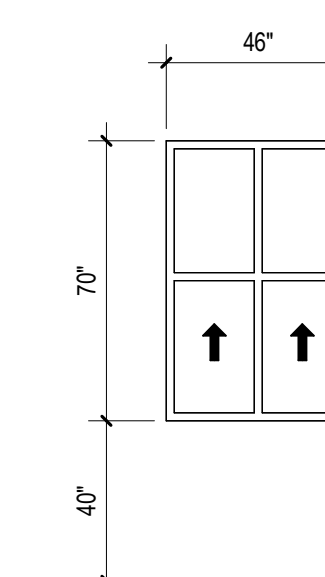
TYPE KK



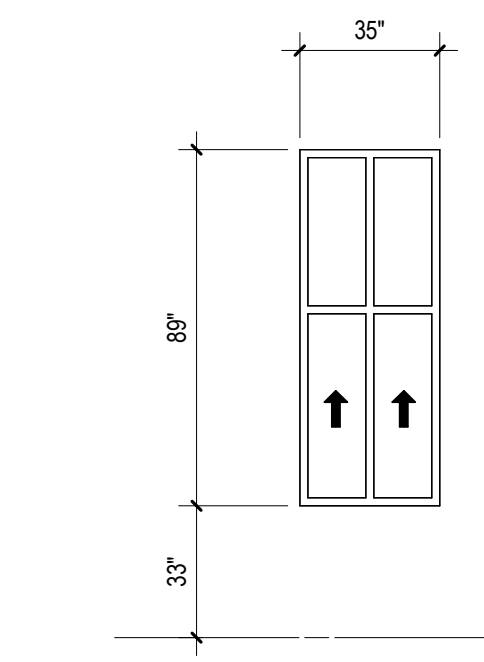
TYPE K



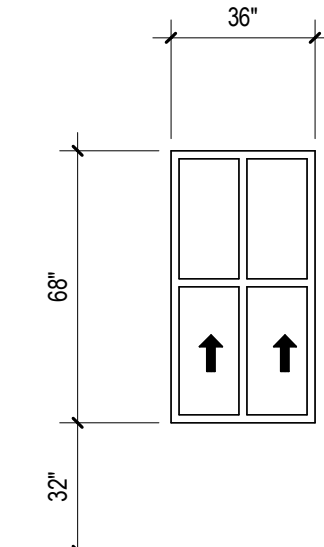
TYPE J



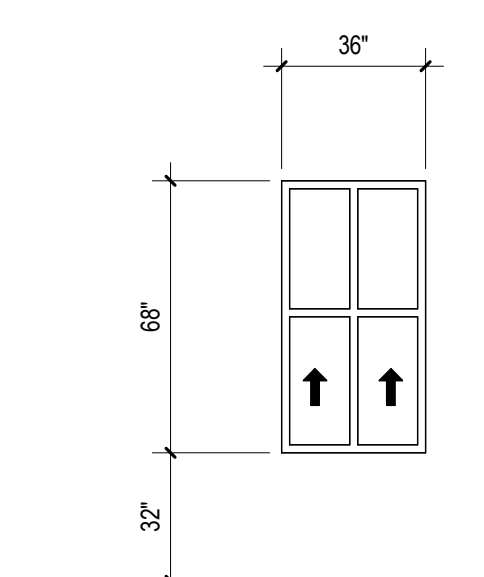
TYPE H



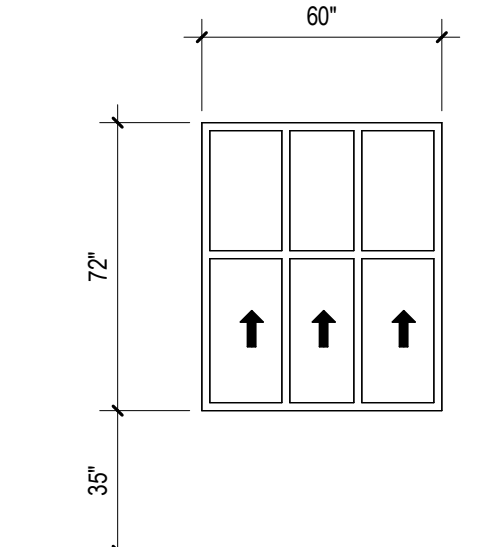
TYPE G/GG



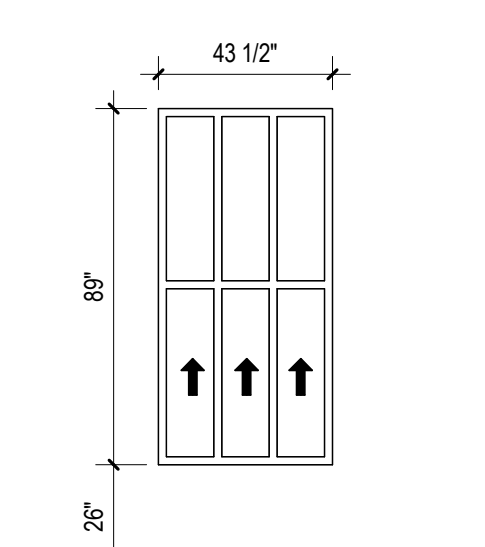
TYPE F



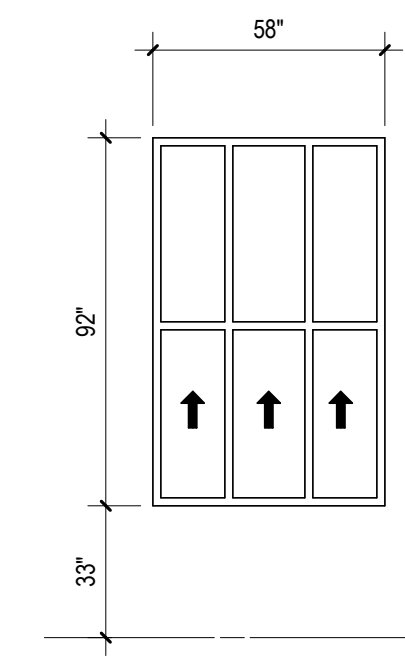
TYPE D/E



TYPE B



TYPE AA



TYPE A

1 2 3 4 5 6 7