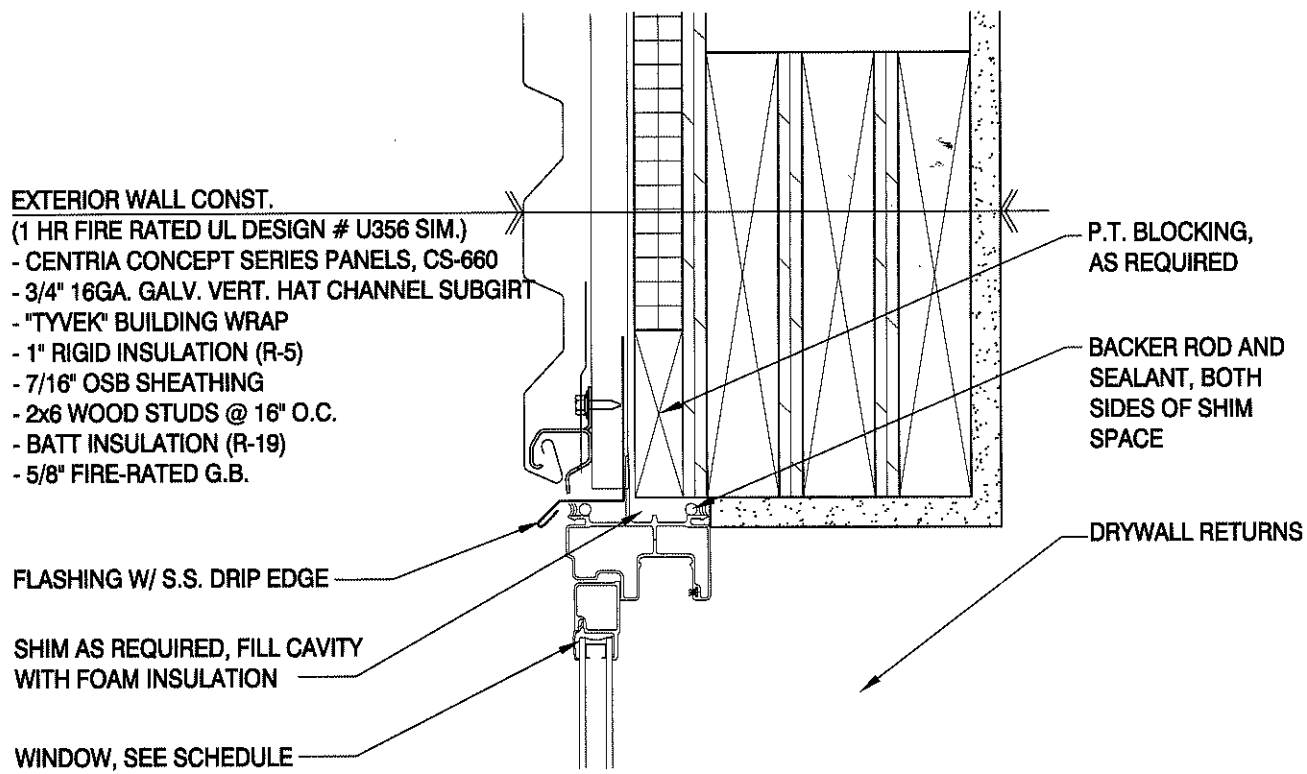
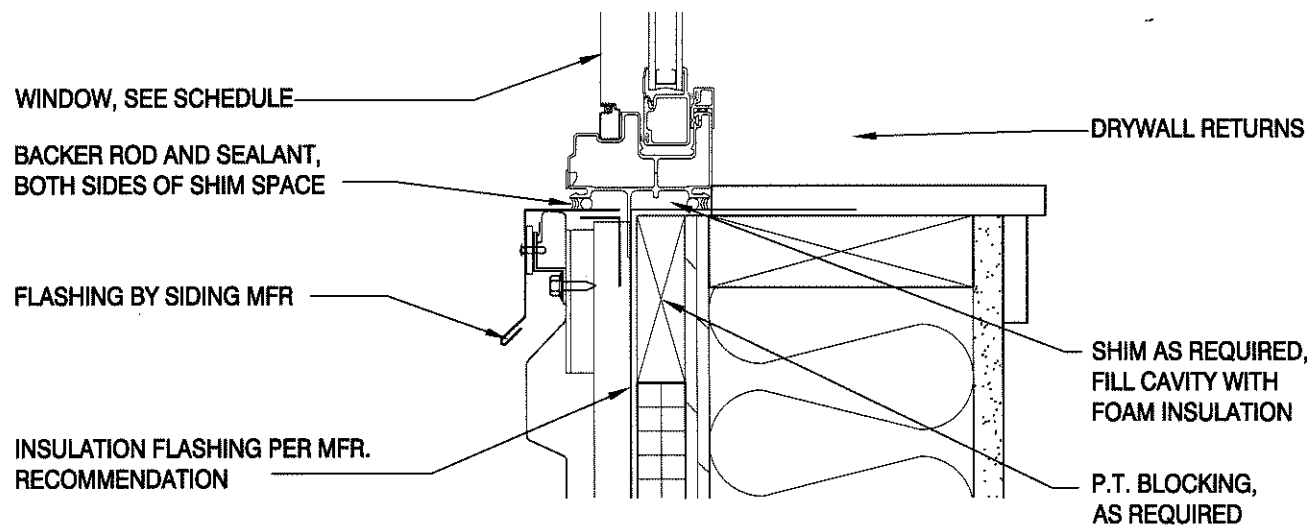


River House Apartments
Atlantic Realty Partners
2015-04-22

FN 141437
Building Details as of
05-20-15

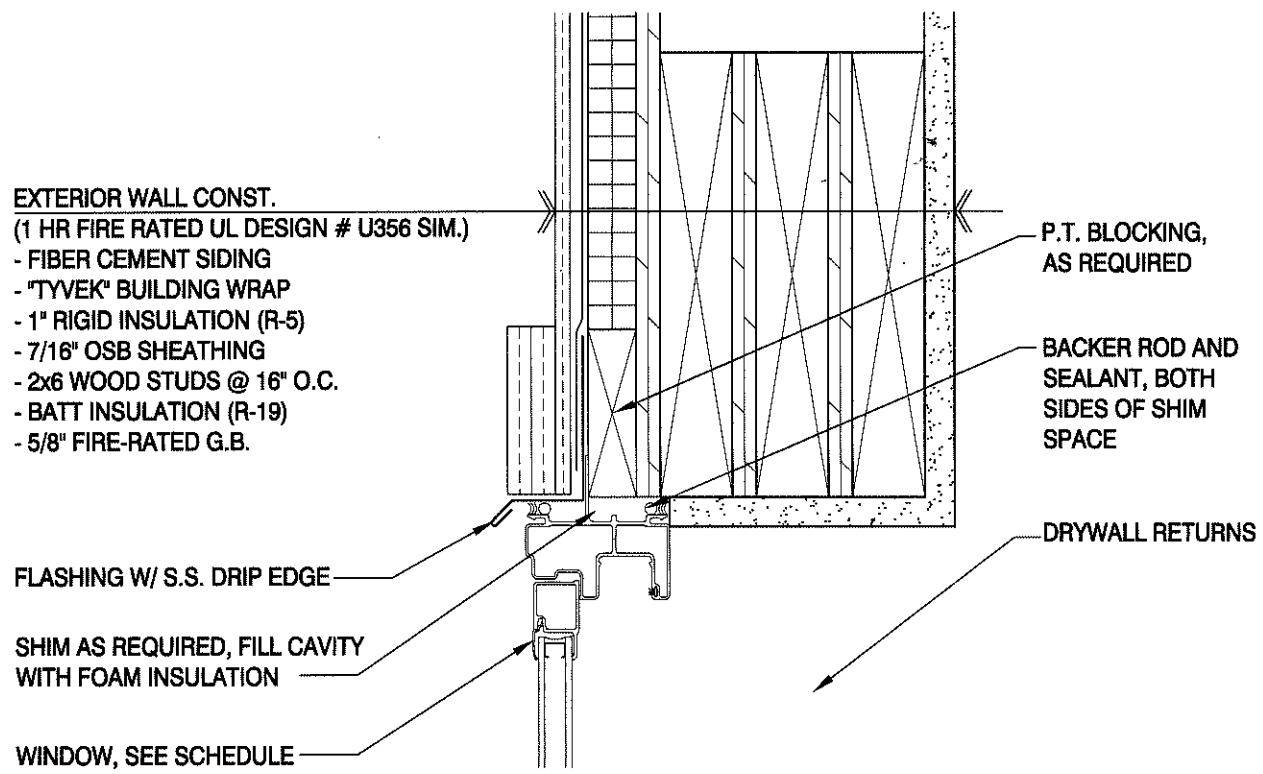



WINDOW HEAD DETAIL @ METAL SIDING
 SCALE: 3"=1'-0"



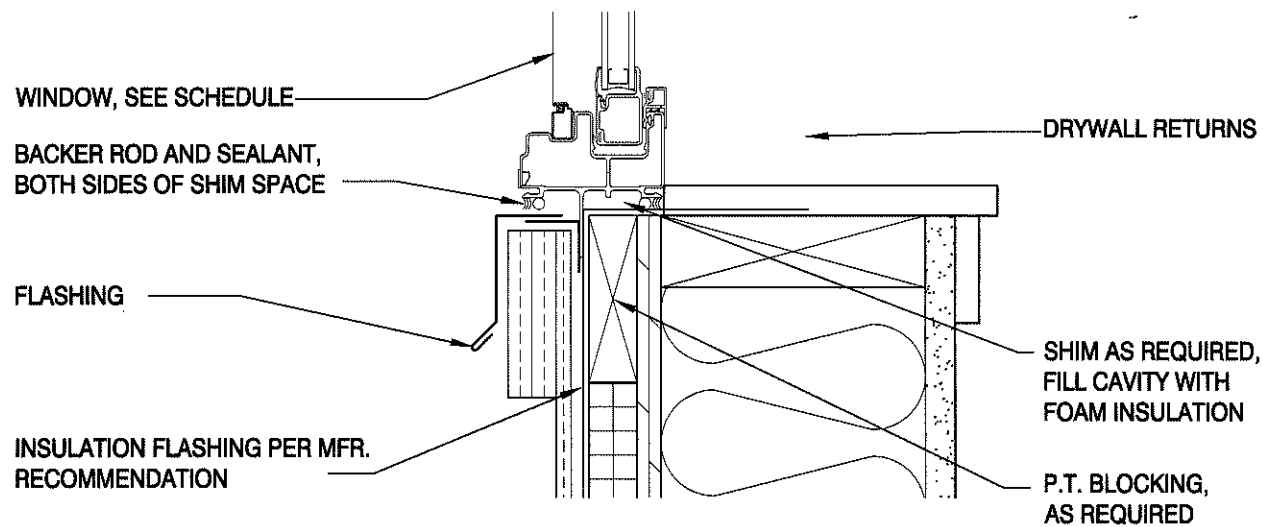

WINDOW SILL DETAIL @ METAL SIDING
 SCALE: 3"=1'-0"

River House Apartments
Atlantic Realty Partners
 2015-05-18



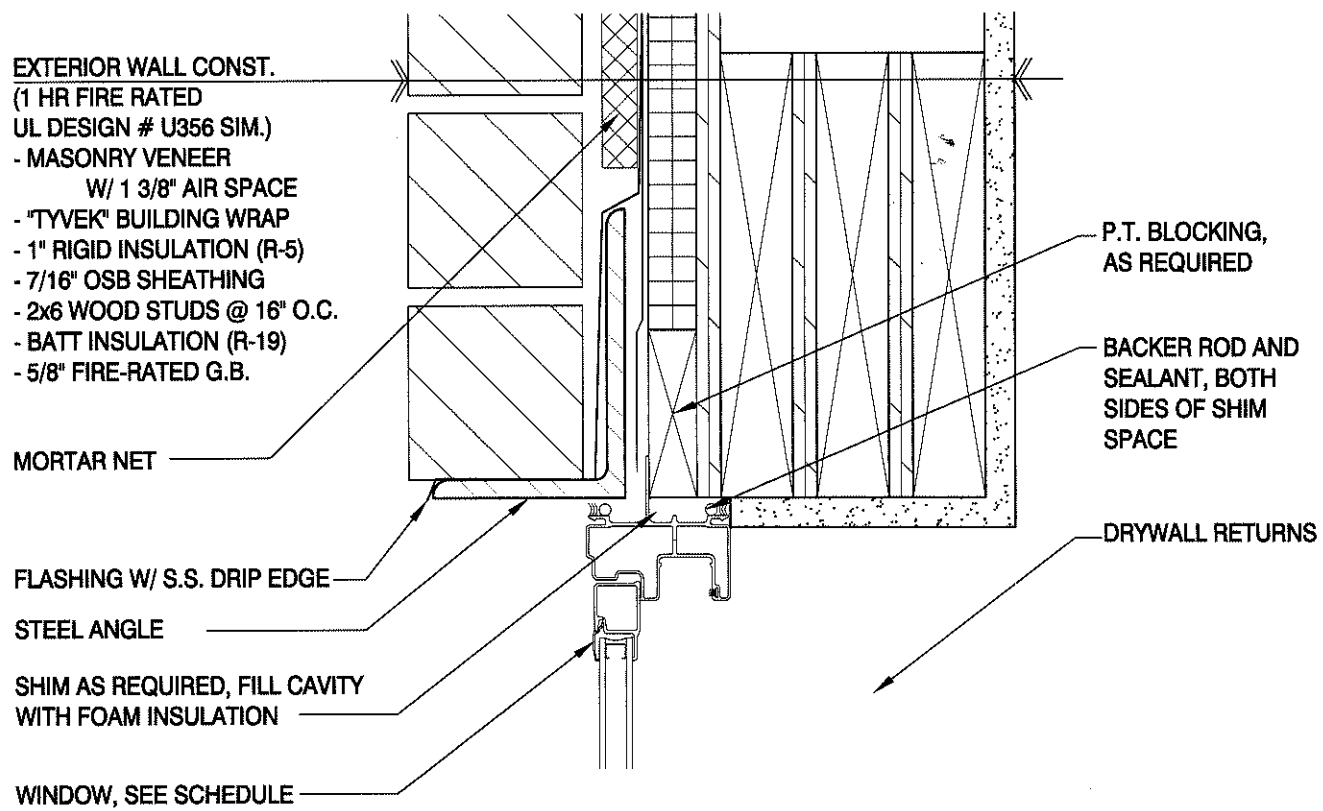
WINDOW HEAD DETAIL @ FIBER CEMENT

SCALE: 3"=1'-0"

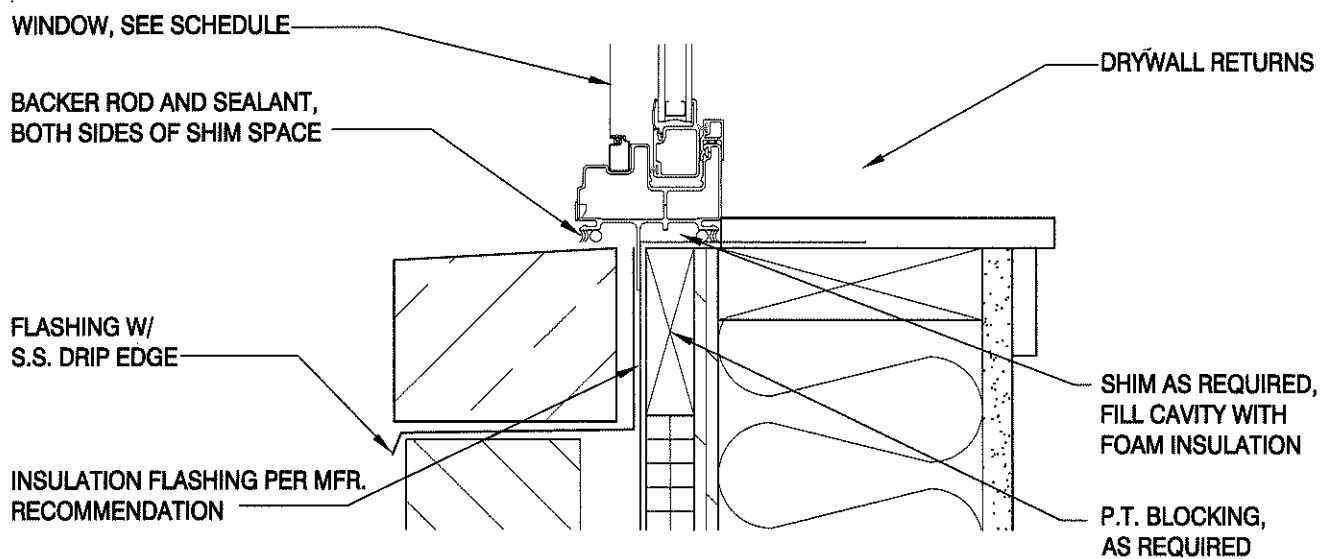


WINDOW SILL DETAIL @ FIBER CEMENT

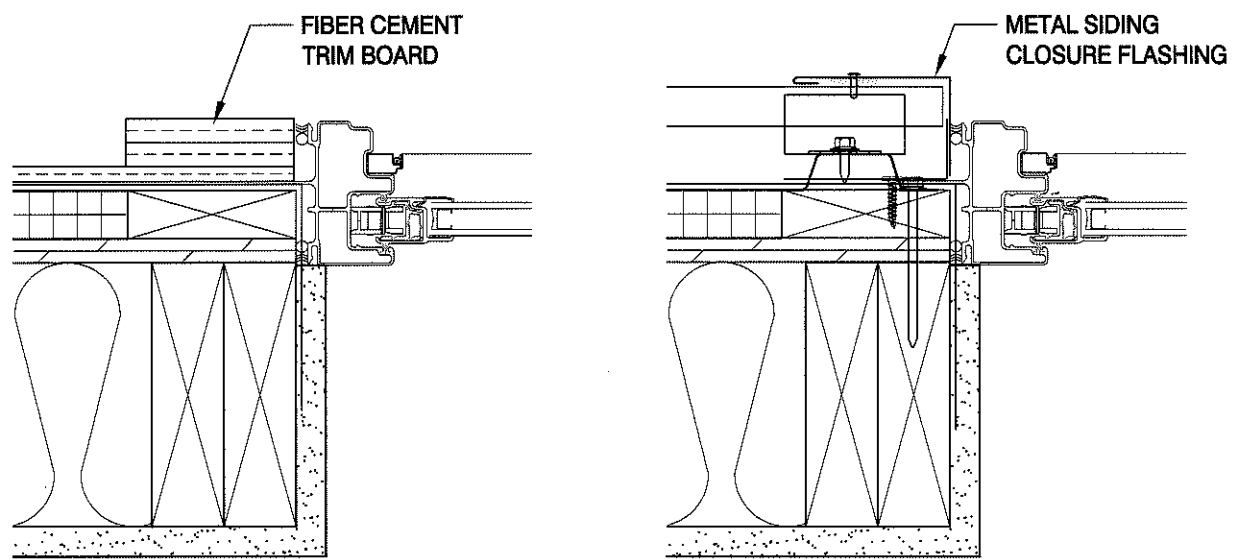
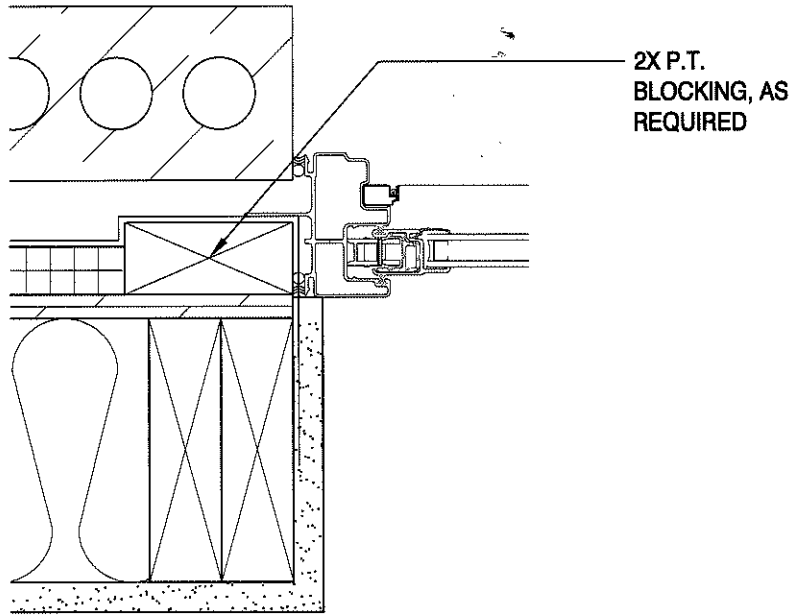
SCALE: 3"=1'-0"



WINDOW HEAD DETAIL @ MASONRY VENEER
 SCALE: 3"=1'-0"



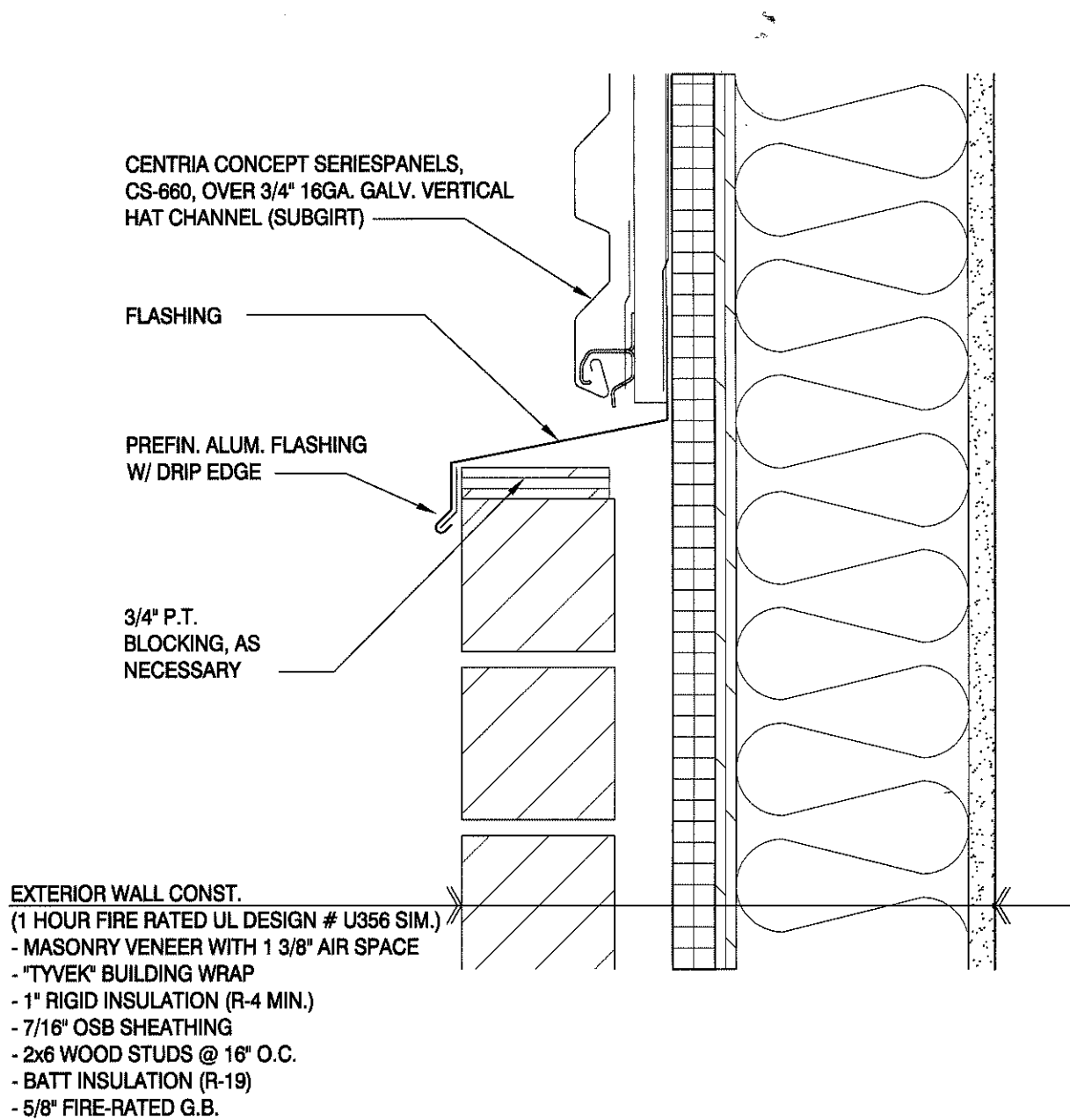
WINDOW SILL DETAIL @ MASONRY VENEER
 SCALE: 3"=1'-0"



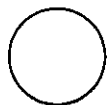
**WINDOW JAMB DETAILS
@ EACH EXTERIOR FINISH**

SCALE: 3"=1'-0"

River House Apartments
Atlantic Realty Partners
2015-05-18



VERTICAL SECTION DETAIL BETWEEN MASONRY & SIDING

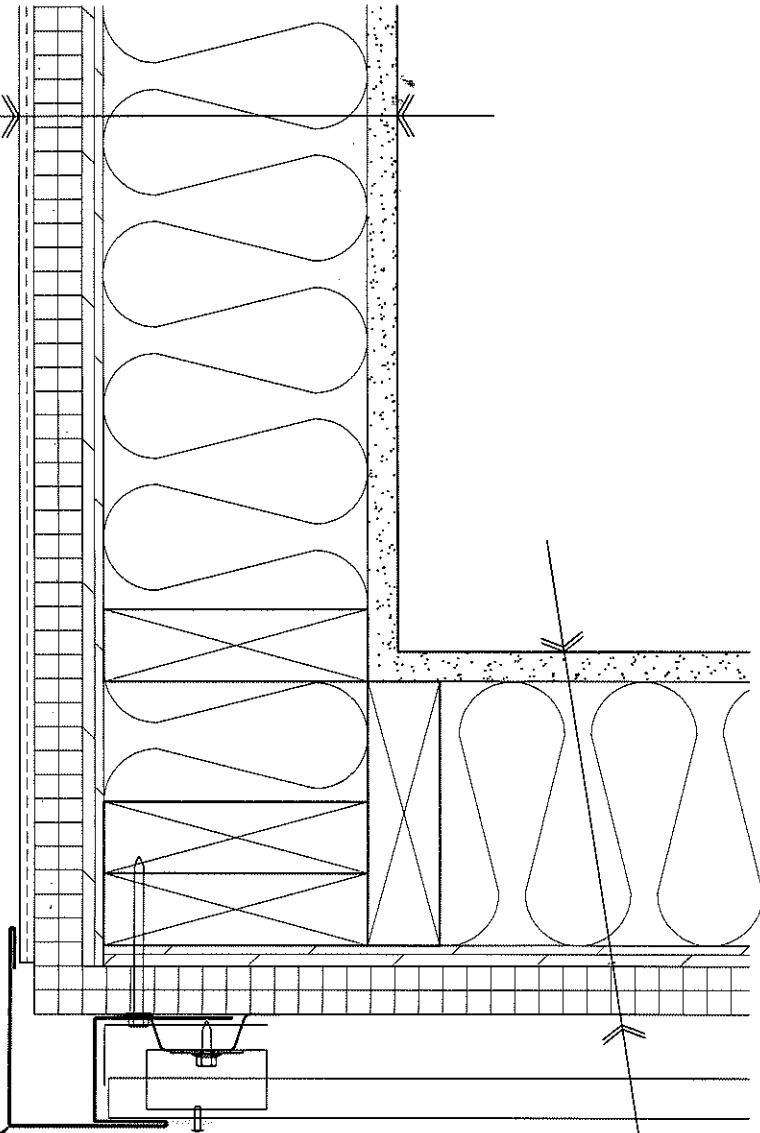


SCALE: 3"=1'-0"

River House Apartments
Atlantic Realty Partners

2015-05-18

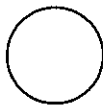
- EXTERIOR WALL CONST.**
 (1 HOUR FIRE RATED UL DESIGN # U356 SIM.)
- FIBER CEMENT BOARD
 - "TYVEK" BUILDING WRAP
 - 1" RIGID INSULATION (R-4 MIN.)
 - 7/16" OSB SHEATHING
 - 2x6 WOOD STUDS @ 16" O.C.
 - BATT INSULATION (R-19)
 - 5/8" FIRE-RATED G.B.



METAL SIDING
 CLOSURE FLASHING

- EXTERIOR WALL CONST.**
 (1 HR FIRE RATED UL DESIGN # U356 SIM.)
- VERTICAL CORRUGATED METAL PANEL
 - "TYVEK" BUILDING WRAP
 - 1" RIGID INSULATION (R-5)
 - 7/16" OSB SHEATHING
 - 2x6 WOOD STUDS @ 16" O.C.
 - BATT INSULATION (R-19)
 - 5/8" FIRE-RATED G.B.

**OUTSIDE CORNER
 FIBER CEMENT / METAL SIDNG**

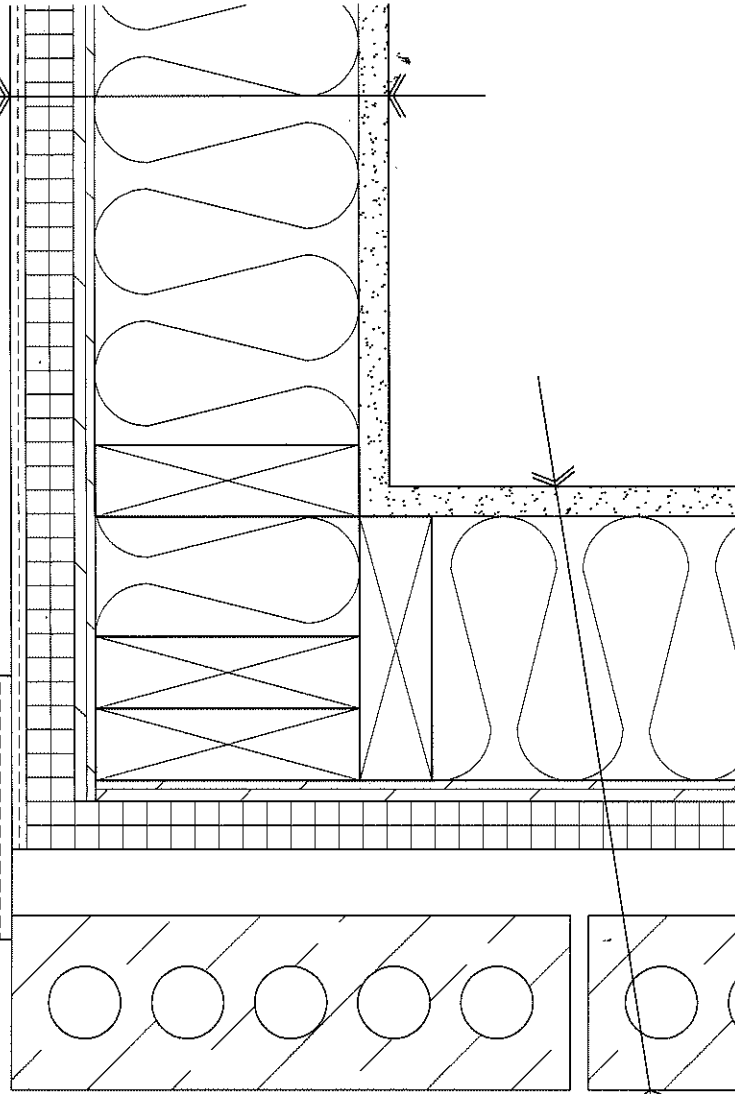


SCALE: 3"=1'-0"

River House Apartments
Atlantic Realty Partners
 2015-05-18

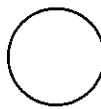
- EXTERIOR WALL CONST.**
 (1 HOUR FIRE RATED UL DESIGN # U356 SIM.)
- FIBER CEMENT BOARD
 - "TYVEK" BUILDING WRAP
 - 1" RIGID INSULATION (R-4 MIN.)
 - 7/16" OSB SHEATHING
 - 2x6 WOOD STUDS @ 16" O.C.
 - BATT INSULATION (R-19)
 - 5/8" FIRE-RATED G.B.

FIBER CEMENT TRIM BOARD



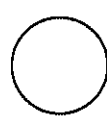
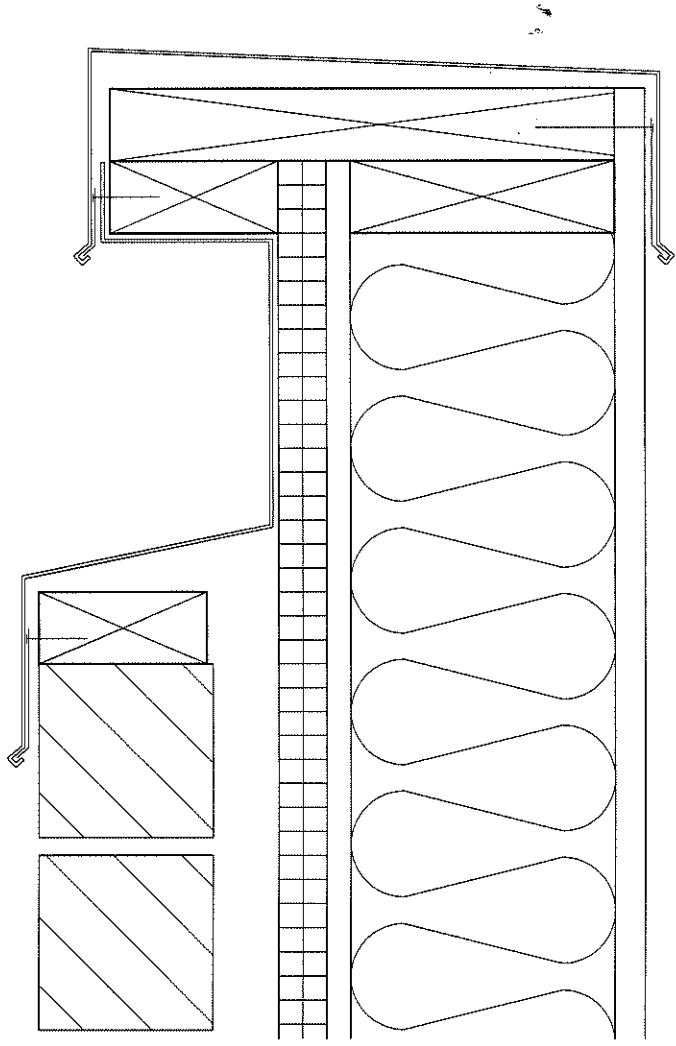
- EXTERIOR WALL CONST.**
 (1 HR FIRE RATED UL DESIGN # U356 SIM.)
- BRICK VENEER WITH 1 3/8" AIR SPACE
 - "TYVEK" BUILDING WRAP
 - 1" RIGID INSULATION (R-5)
 - 7/16" OSB SHEATHING
 - 2x6 WOOD STUDS @ 16" O.C.
 - BATT INSULATION (R-19)
 - 5/8" FIRE-RATED G.B.

**OUTSIDE CORNER
 FIBER CEMENT / METAL SIDNG**



SCALE: 3"=1'-0"

River House Apartments
 Atlantic Realty Partners
 2015-05-18

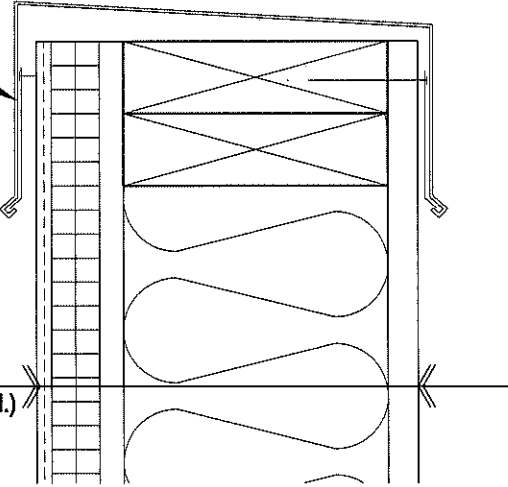


PARAPET WITH BRICK VENEER

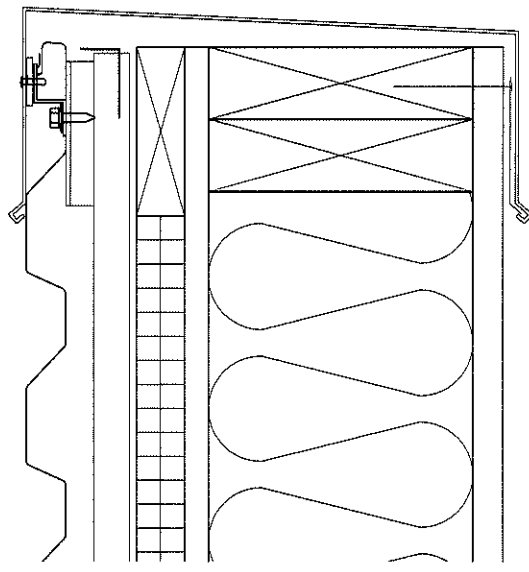
SCALE: 3"=1'-0"

River House Apartments
Atlantic Realty Partners
2015-05-18

PREFINISHED ALUM. COPING



- EXTERIOR WALL CONST.**
(1 HOUR FIRE RATED UL DESIGN # U356 SIM.)
- FIBER CEMENT BOARD
 - "TYVEK" BUILDING WRAP
 - 1" RIGID INSULATION (R-4 MIN.)
 - 7/16" OSB SHEATHING
 - 2x6 WOOD STUDS @ 16" O.C.
 - BATT INSULATION (R-19)
 - 5/8" FIRE-RATED G.B.



**PARAPET WITH
METAL SIDING AND FIBER CEMENT**

SCALE: 3"=1'-0"

River House Apartments
Atlantic Realty Partners
2015-05-18